

液压锁

PILOT OPERATED CHECK VALVES

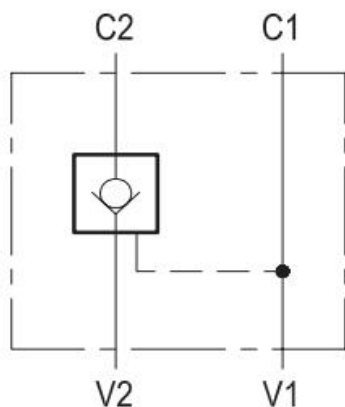


液压锁是允许一个方向(从V至C)的自由流动，反方向开启则需要通过液压先导控制来实现的单向阀。这是一种开/关阀，不能调节开启，适用于保持静载，但不适用于控制载荷运动。

The pilot operated check valve allow free flow in one direction (from V to C), reverse opening is required by the pilot pressure control to achieve the single valve. The pilot check valves are on/off valves, not able to modulate the opening, these valves are suitable to hold the load but they are not suitable to control the load motion.

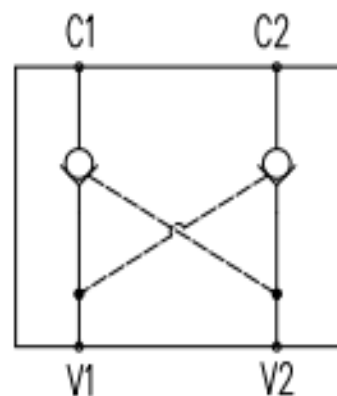
单向液压锁

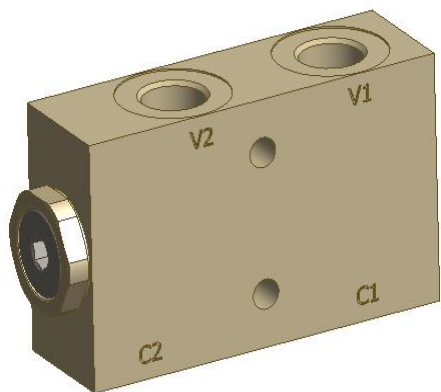
SINGLE PILOT OPERATED CHECK



双向液压锁

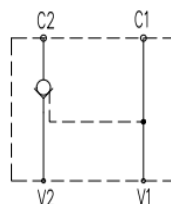
DOUBLE PILOT OPERATED CHECK





型号/TYPE	C1-C2 V1-V2	A	B	C	D	E	F	G	H
KDPC-G1/4	G1/4	101	90	58	42	40	64	30	∅6.5
KDPC-G3/8	G3/8	101	90	58	42	40	46	30	∅6.5
KDPC-G1/2	G1/2	121	114	71	52	40	70	35	∅8.5
KDPC-G3/4	G3/4	154	140	90	46	50	90	44	∅10.5

符号/SYMBOL:



技术参数/TECHNICAL DATA:

应用材料/MATERIAL EMPLOYED

阀体/BODY: 钢/STEEL

阀芯/VALVES: 钢/STEEL

密封/SEALS: 丁腈胶/NBR

温度/TEMPERATURES

理想工作温度: +40°C~+70°C

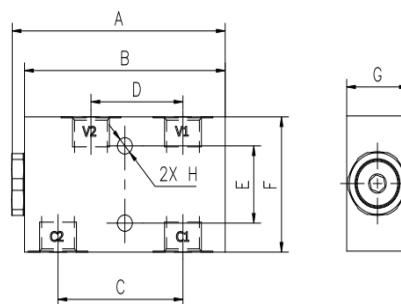
Ideal operating range between +40°C and +70°C

最低/最高环境温度: -20°C~+60°C

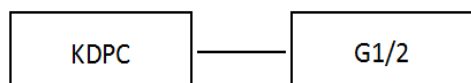
Min/Max environment temps -20°C~and

最高工作温度: 90°C/Max operating temperature 90°C

外形尺寸/OVER DIMENSION:



型号说明/MODEL CODE:



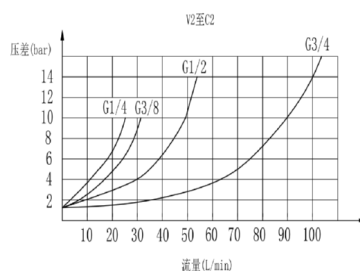
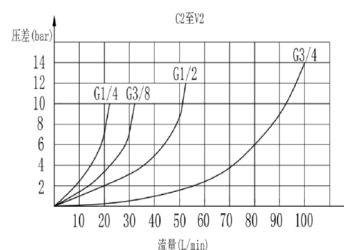
①

①单向液压锁系列代号/single pilot check valve series code :KDPC型/KDPC type

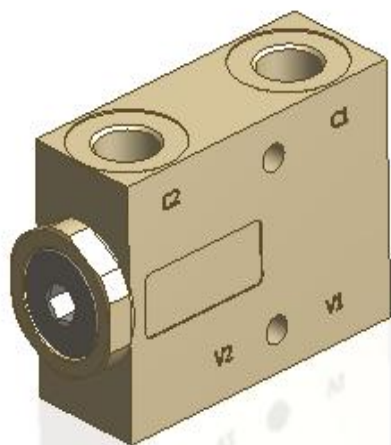
②

②阀体连接螺纹形式/connect thread dimension:BBSP

流量曲线图/FLOW DIAGRAM:

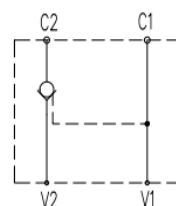


型号/TYPE	最大压力 (bar)		最大流量 (L/min)	先导比 (pilot ratio)	开启压力 (cracking pressure) (bar)
	钢/steel	铝/aluminum			
KDPC-G1/4	350	200	20	7.1:1	3.5
KDPC-G3/8			30	7.1:1	
KDPC-G1/2			50	4.8:1	
KDPC-G3/4			100	5.4:1	



型号/TYP E	A	B	C	D	E	F	G	H	I	J	K
KVRSL-G1/4	80	29	35	14	50	10	40	∅6.5	30	60	45
KVRSL-G3/8	80	29	35	14	50	10	40	∅6.5	30	60	45
KVRSL-G1/2	100	38	38	19	57	15	40	∅8.5	35	70	57
KVRSL-G3/4	140	47	68	25	90	20	50	∅10.5	44	90	70

符号/SYMBOL:



技术参数/TECHNICAL DATA:

应用材料/MATERIAL EMPLOYED

阀体/BODY: 钢/STEEL

阀芯/VALVES: 钢/STEEL

密封/SEALS: 丁腈胶/NBR

温度/TEMPERATURES

理想工作温度: +40°C~+70°C

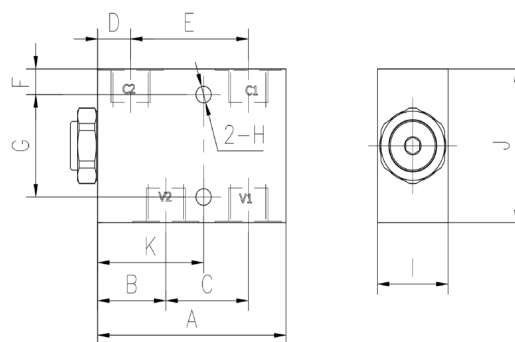
Ideal operating range between +40°C and

最低/最高环境温度: -20°C~+60°C

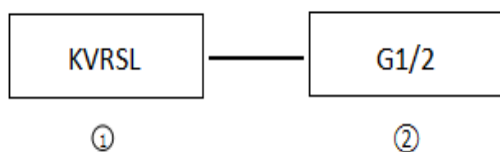
Min/Max environment temps -20°C~and

最高工作温度: 90°C/Max operating

外形尺寸/OVER



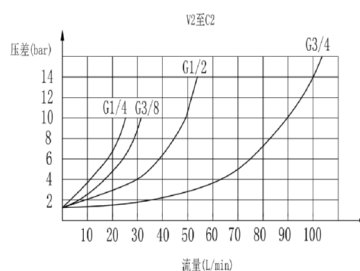
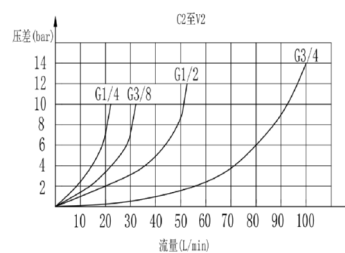
型号说明/MODEL CODE:



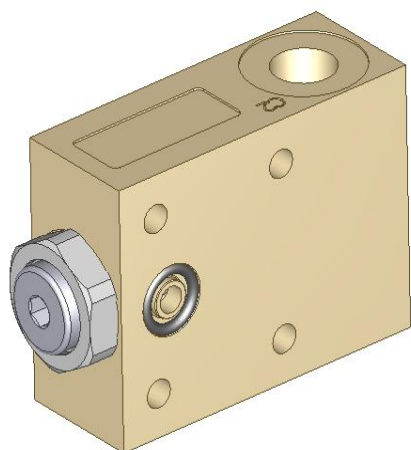
①单向液压锁系列代号/single pilot check valve

②阀体连接螺纹形式/connect thread dimension:BBSP

流量曲线图/FLOW

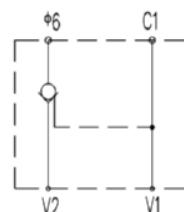


型号/TYP E	最大压力 (bar)		最大流量 (L/min)	先导比 (pilot ratio)	开启压力 (cracking pressure) (bar)
	钢/steel	铝/aluminum			
KVRSL-G1/4	350	200	20	7.1: 1	3.5
KVRSL-G3/8			30	7.1: 1	
KVRSL-G1/2			50	4.8: 1	
KVRSL-G3/4			100	5.4: 1	



型号/TYPE	A	B	C	D	E	F	G	H	I	J	M	N	O	P
KVRSL-G1/4-FL	80	29	35	14	10	35	64	10	35	64	∅6.5	∅6	30	60
KVRSL-G3/8-FL	80	29	35	14	10	35	64	10	35	64	∅6.5	∅6	30	60
KVRSL-G1/2-FL	100	38	38	19	15	40	76	15	40	76	∅8.5	∅9	35	70
KVRSL-G3/4-FL	140	47	68	25	22	48	115	20	48	115	∅10.5	∅14	44	90

符号/SYMBOL:



技术参数/TECHNICAL DATA:

应用材料/MATERIAL EMPLOYED

阀体/BODY: 钢/STEEL

阀芯/VALVES: 钢/STEEL

密封/SEALS: 丁腈胶/NBR

温度/TEMPERATURES

理想工作温度: +40°C~+70°C

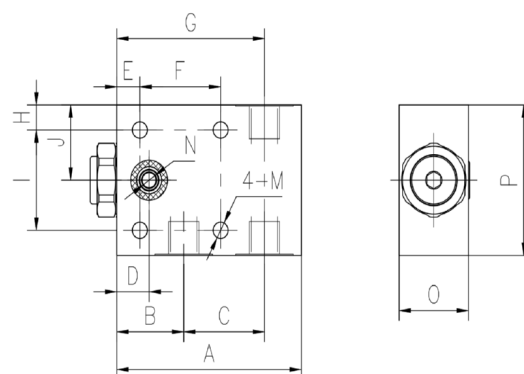
Ideal operating range between +40°C and

最低/最高环境温度: -20°C~+60°C

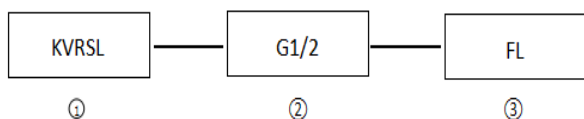
Min/Max environment temps -20°C~and

最高工作温度: 90°C/Max operating

外形尺寸/OVER



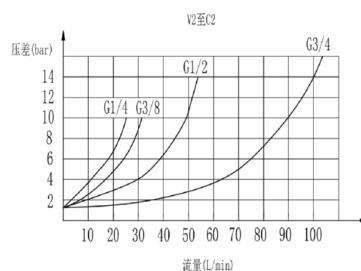
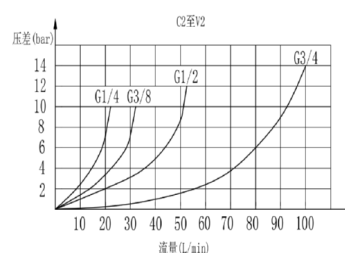
型号说明/MODEL CODE:



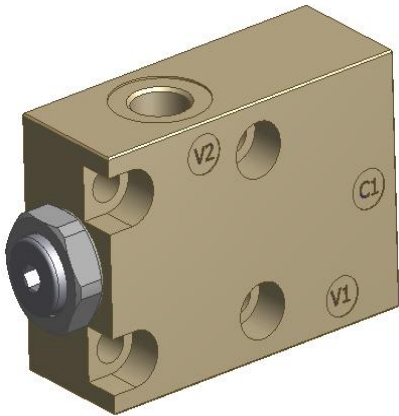
①单向液压锁系列代号/single pilot check valve series code :KDPC型/KDPC type

②阀体连接螺纹形式/connect thread dimension:BBSP

流量曲线图/FLOW DIAGRAM:



型号/TYPE	最大压力 (bar)		最大流量 (L/min)	先导比 (pilot ratio)	开启压力 (cracking pressure) (bar)
	钢/steel	铝/aluminum			
KVRSL-G1/4-FL	350	200	20	7.1: 1	3.5
KVRSL-G3/8-FL			30	7.1: 1	
KVRSL-G1/2-FL			50	4.8: 1	
KVRSL-G3/4-FL			100	5.4: 1	



型号/TYPE	A	B	C	D	E	F	G	H	O-ring
DXYYS08-G1/4	101	90	30	40	64	40	32	34	15X2.65
DXYYS08-G3/8	101	90	30	40	64	40	32	34	15X2.65

技术参数/TECHNICAL DATA:

应用材料/MATERIAL EMPLOYED

阀体/BODY: 钢/STEEL

阀芯/VALVES: 钢/STEEL

密封/SEALS: 丁腈胶/NBR

温度/TEMPERATURES

理想工作温度: +40°C~+70°C

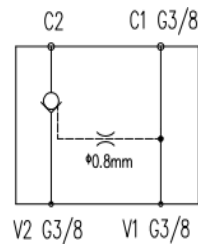
Ideal operating range between +40°C and +70°C

最低/最高环境温度: -20°C~+60°C

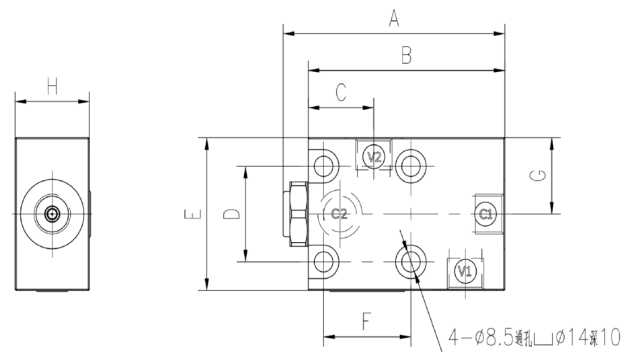
Min/Max environment temps -20°C~and

最高工作温度: 90°C/Max operating temperature 90°C

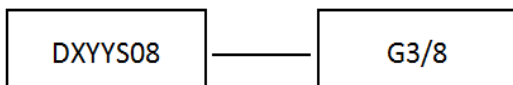
符号/SYMBOL:



外形尺寸/OVER



型号说明/MODEL CODE:



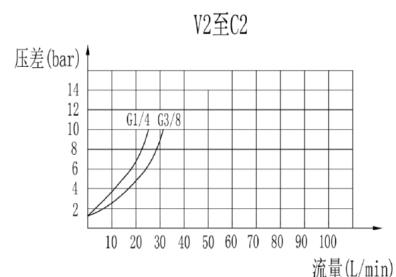
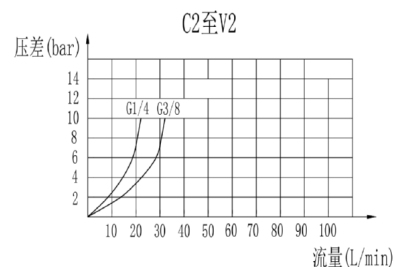
①

②

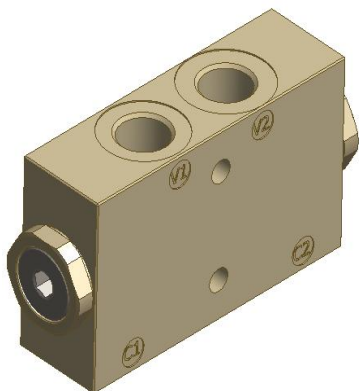
①单向液压锁系列代号/single pilot check valve series code :DXYYS08型/DXYYS08 type

②阀体连接螺纹形式/connect thread dimension:BBSP

流量曲线图/FLOW DIAGRAM:

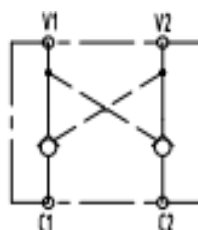


型号/TYPE	最大压力 (bar)		最大流量 (L/min)	先导比 (pilot ratio)	开启压力 (cracking pressure) (bar)
	钢/steel	铝/aluminum			
DXYYS08-G1/4	300	200	20	3.2: 1	3.5
DXYYS08-G3/8			30		



型号/TYPE	C1-C2 V1-V2	A	B	C	D	E	F	G	H
KSPC-G1/4	G1/4	101	90	58	42	40	64	30	Ø6.5
KSPC-G3/8	G3/8	101	90	58	42	40	64	30	Ø6.5
KSPC-G1/2	G1/2	121	114	71	52	40	70	35	Ø8.5
KSPC-G3/4	G3/4	154	140	90	46	50	90	44	Ø10.5

符号/SYMBOL:



技术参数/TECHNICAL DATA:

应用材料/MATERIAL EMPLOYED

阀体/BODY: 钢/STEEL

阀芯/VALVES: 钢/STEEL

密封/SEALS: 丁腈胶/NBR

温度/TEMPERATURES

理想工作温度: +40°C~+70°C

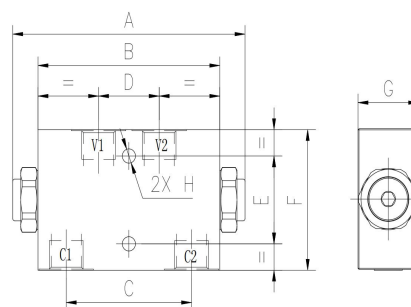
Ideal operating range between +40°C and +70°C

最低/最高环境温度: -20°C~+60°C

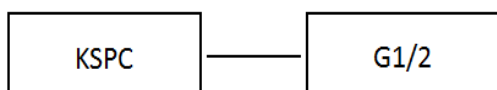
Min/Max environment temps -20°C~and

最高工作温度: 90°C/Max operating temperature 90°C

外形尺寸/OVER DIMENSION:



型号说明/MODEL CODE:



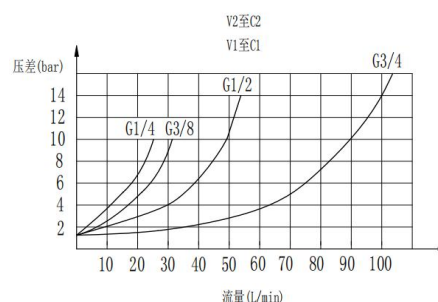
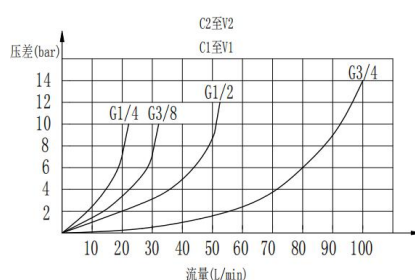
①

②

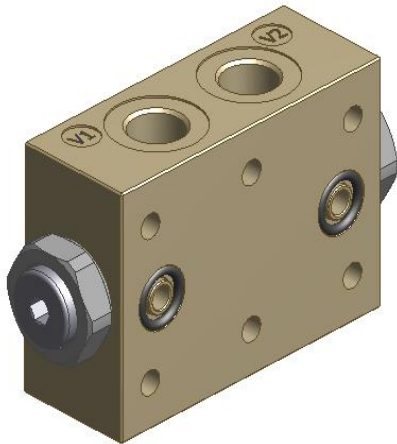
①双向液压锁系列代号/double pilot check valve

②阀体连接螺纹形式/connect thread dimension: BBSP

流量曲线图/FLOW DIAGRAM:



型号/TYPE	最大压力 (bar)		最大流量 (L/min)	先导比 (pilot ratio)	开启压力 (cracking pressure) (bar)
	钢/steel	铝/aluminum			
KSPC-G1/4	350	200	20	7.1: 1	3.5
KSPC-G3/8			30	7.1: 1	
KSPC-G1/2			50	4.8: 1	
KSPC-G3/4			100	5.4: 1	



型号/TYPE	C1-C2 V1-V2	A	B	C	D	E	F	G	H	I	J	O-ring
KSPC-G1/4-FL	G1/4	115	90	32	40	64	∅6.5	35	62	34	∅6	10.77X2.62
KSPC-G3/8-FL	G3/8	115	90	32	40	64	∅6.5	35	62	34	∅6	10.77X2.62
KSPC-G1/2-FL	G1/2	129	114	38	40	70	∅8.5	40	76	35	∅10	15.54X2.62
KSPC-G3/4-FL	G3/4	166	140	46	51	83	∅10.5	48	96	44	∅14	18.74X2.62

技术参数/TECHNICAL DATA:

应用材料/MATERIAL EMPLOYED

阀体/BODY: 钢/STEEL

阀芯/VALVES: 钢/STEEL

密封/SEALS: 丁腈胶/NBR

温度/TEMPERATURES

理想工作温度: +40°C~+70°C

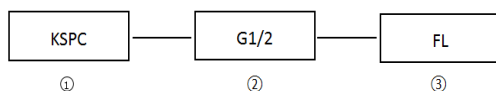
Ideal operating range between +40°C and +70°C

最低/最高环境温度: -20°C~+60°C

Min/Max environment temps -20°C~and

最高工作温度: 90°C/Max operating temperature 90°C

型号说明/MODEL CODE:



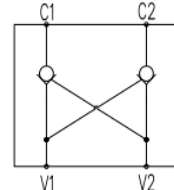
① 双向液压锁系列代号/double pilot check valve

② 阀体连接螺纹形式/connect thread dimension: BBSP

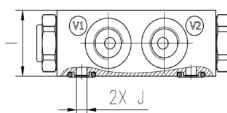
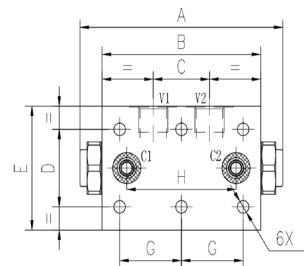
③ 法兰连接 (板式连接) /Flangeable: FL

型号/TYPE	最大压力 (bar)		最大流量 (L/min)	先导比 (pilot ratio)	开启压力 (cracking pressure) (bar)
	钢/steel	铝/aluminum			
KSPC-G1/4-FL	350	200	20	7.1: 1	3.5
KSPC-G3/8-FL			30	7.1: 1	
KSPC-G1/2-FL			50	4.8: 1	
KSPC-G3/4-FL			100	5.4: 1	

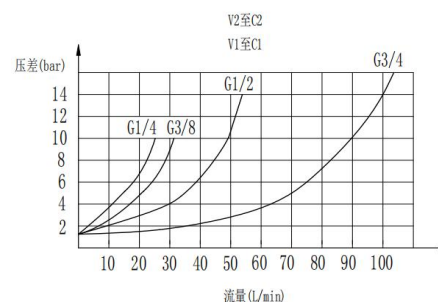
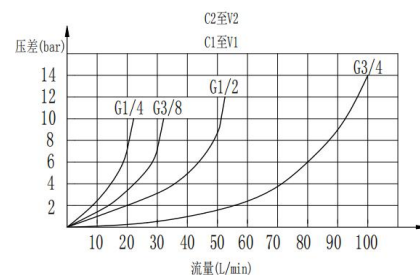
符号/SYMBOL:



外形尺寸/OVER DIMENSION:

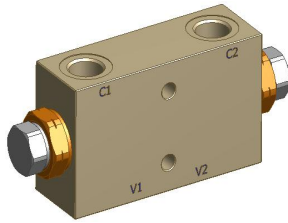


流量曲线图/FLOW DIAGRAM:

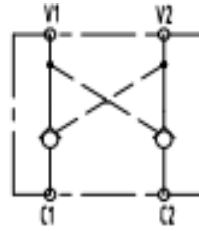




KSPC10-



符号/SYMBOL:



技术参数/TECHNICAL DATA:

应用材料/MATERIAL EMPLOYED

阀体/BODY: 钢/STEEL

阀芯/VALVES: 钢/STEEL

密封/SEALS: 丁腈胶/NBR

温度/TEMPERATURES

理想工作温度: +40°C~+70°C

Ideal operating range between +40°C and +70°C

最低/最高环境温度: -20°C~+60°C

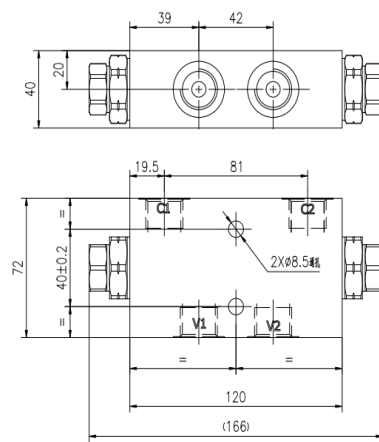
Min/Max environment temps -20°C~and +60°C

最高工作温度: 90°C/Max operating temperature 90°C

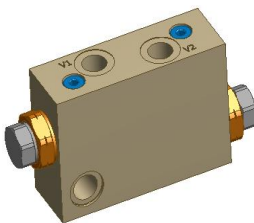
公称压力/Nominal Pressure:

额定流量/Rated Flow: 60L/min 先导比/Pilot Ratio: 8:1

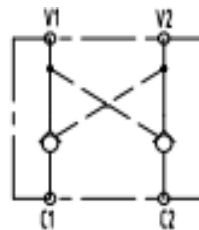
外形尺寸/OVER DIMENSION:



KSXS10-M18



符号/SYMBOL:



技术参数/TECHNICAL DATA:

应用材料/MATERIAL EMPLOYED

阀体/BODY: 钢/STEEL

阀芯/VALVES: 钢/STEEL

密封/SEALS: 丁腈胶/NBR

温度/TEMPERATURES

理想工作温度: +40°C~+70°C

Ideal operating range between +40°C and +70°C

最低/最高环境温度: -20°C~+60°C

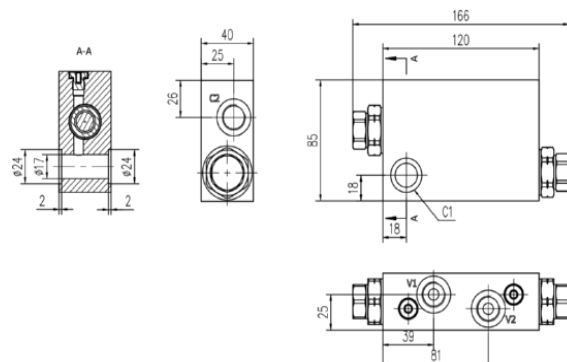
Min/Max environment temps -20°C~and +60°C

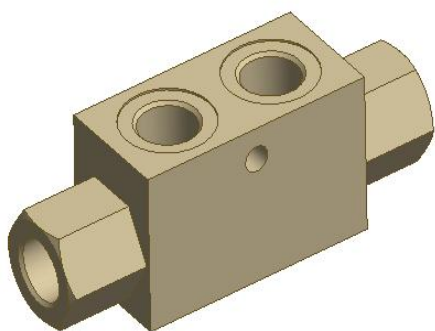
最高工作温度: 90°C/Max operating temperature 90°C

公称压力/Nominal Pressure: 35Mpa

额定流量/Rated Flow: 75L/min 先导比/Pilot Ratio: 8:1

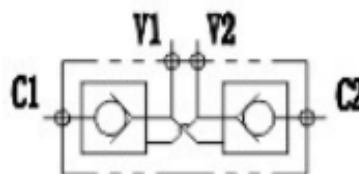
外形尺寸/OVER DIMENSION:





型号/TYPE	A	B	C	D	E	F	G	H	I	SW
KVRDE-G1/4	115	68	G1/4	38	Ø7	7	40	30	13	24
KVRDE-G3/8	139	80	G3/8	40	Ø8.5	15	50	40	16	27
KVRDE-G1/2	173	90	G1/2	40	Ø8.5	15	60	40	20	30

符号/SYMBOL:



技术参数/TECHNICAL DATA:

应用材料/MATERIAL EMPLOYED

阀体/BODY: 钢/STEEL

阀芯/VALVES: 钢/STEEL

密封/SEALS: 丁腈胶/NBR

温度/TEMPERATURES

理想工作温度: +40°C~+70°C

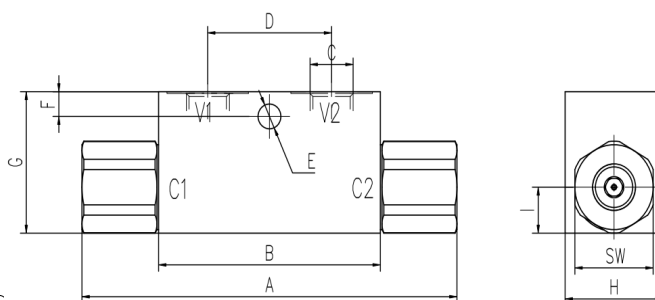
Ideal operating range between +40°C and +70°C

最低/最高环境温度: -20°C~+60°C

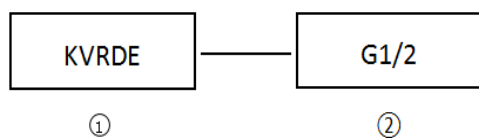
Min/Max environment temps -20°C~and

最高工作温度: 90°C/Max operating temperature 90°C

外形尺寸/OVER DIMENSION:



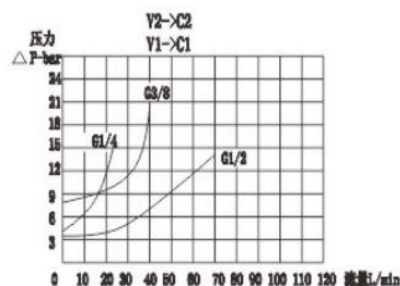
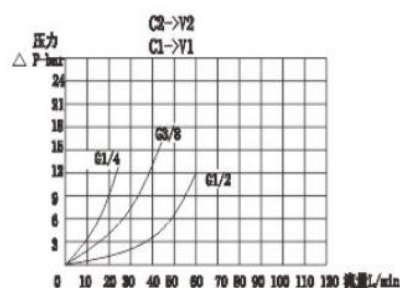
型号说明/MODEL CODE:



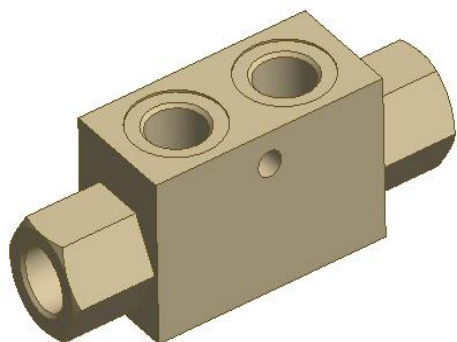
① 双向液压锁系列代号/double pilot check valve

② 阀体连接螺纹形式/connect thread dimension: BBSP

流量曲线图/FLOW DIAGRAM:

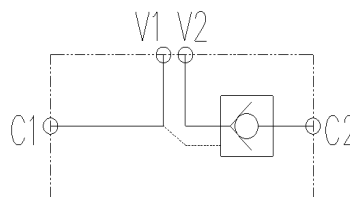


型号/TYPE	最大压力 (bar)		最大流量 (L/min)	先导比 (pilot ratio)	开启压力 (cracking pressure) (bar)
	钢/steel	铝/aluminum			
KVRDE-G1/4	350	200	20	4.5:1	3.5
KVRDE-G3/8			50	4:1	
KVRDE-G1/2	300	80			



型号/TYPE	A	B	C	D	E	F	G	H	I	SW
KVRSE-G1/4	115	68	G1/4	38	∅7	7	40	30	13	24
KVRSE-G3/8	139	80	G3/8	40	∅8.5	15	50	40	16	27
KVRSE-G1/2	173	90	G1/2	40	∅8.5	15	60	40	20	30

符号/SYMBOL:



技术参数/TECHNICAL DATA:

应用材料/MATERIAL EMPLOYED

阀体/BODY: 钢/STEEL

阀芯/VALVES: 钢/STEEL

密封/SEALS: 丁腈胶/NBR

温度/TEMPERATURES

理想工作温度: +40°C~+70°C

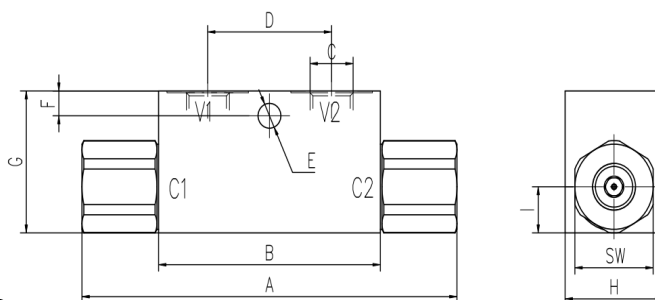
Ideal operating range between +40°C and +70°C

最低/最高环境温度: -20°C~+60°C

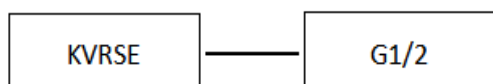
Min/Max environment temps -20°C~and

最高工作温度: 90°C/Max operating temperature 90°C

外形尺寸/OVER DIMENSION:



型号说明/MODEL CODE:



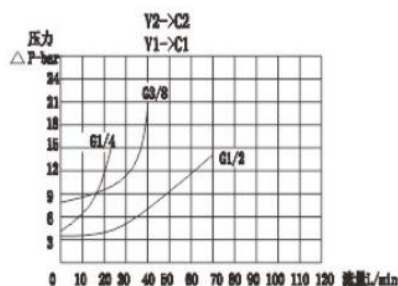
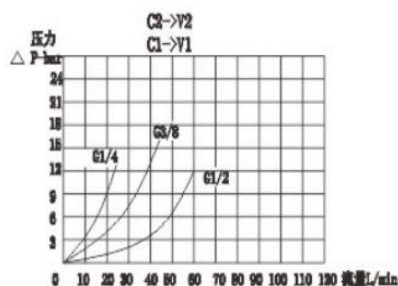
①

②

①单向液压锁系列代号/single pilot check valve series code :KVRSE型/KVRSE type

②阀体连接螺纹形式/connect thread dimension:BBSP

流量曲线图/FLOW DIAGRAM:



型号/TYPE	最大压力 (bar)		最大流量 (L/min)	先导比 (pilot ratio)	开启压力 (cracking pressure) (bar)
	钢/steel	铝/aluminum			
KVRSE-G1/4	350	200	20	4.5:1	3.5
KVRSE-G3/8			50	4:1	
KVRSE-G1/2	300	80			



KSXS08S-60/350



技术参数/TECHNICAL DATA:

应用材料/MATERIAL EMPLOYED

阀体/BODY: 钢/STEEL

阀芯/VALVES: 钢/STEEL

密封/SEALS: 丁腈胶/NBR

温度/TEMPERATURES

理想工作温度: +40°C~+70°C

Ideal operating range between +40°C and +70°C

最低/最高环境温度: -20°C~+60°C

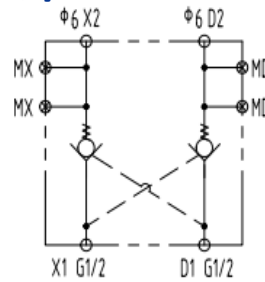
Min/Max environment temps -20°C~and +60°C

最高工作温度: 90°C/Max operating temperature 90°C

公称压力/Nominal Pressure:

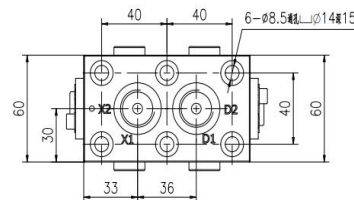
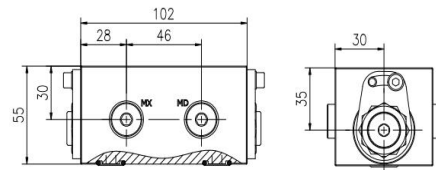
额定流量/Rated Flow: 60L/min 先导比/Pilot Ratio: 9:1

符号/SYMBOL:

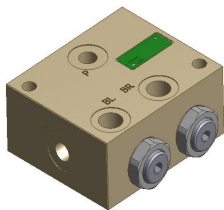


D1、X1: G1/2
MD、MX (seal):

外形尺寸/OVER DIMENSION:



KPHGFZ02-35/250



技术参数/TECHNICAL DATA:

应用材料/MATERIAL EMPLOYED

阀体/BODY: 钢/STEEL

阀芯/VALVES: 钢/STEEL

密封/SEALS: 丁腈胶/NBR

温度/TEMPERATURES

理想工作温度: +40°C~+70°C

Ideal operating range between +40°C and +70°C

最低/最高环境温度: -20°C~+60°C

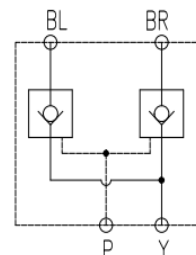
Min/Max environment temps -20°C~and +60°C

最高工作温度: 90°C/Max operating temperature 90°C

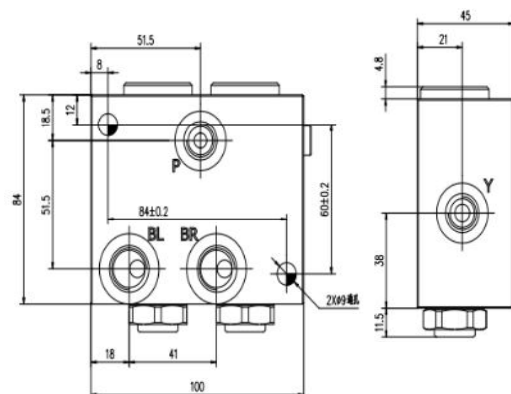
公称压力/Nominal Pressure: 25Mpa

额定流量/Rated Flow: 75L/min 先导比/Pilot Ratio: 8:1

符号/SYMBOL:

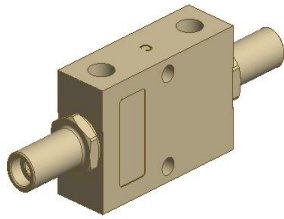


外形尺寸/OVER DIMENSION:





LD1-25-1DTTR-10



技术参数/TECHNICAL DATA:

应用材料/MATERIAL EMPLOYED

阀体/BODY: 钢/STEEL

阀芯/VALVES: 钢/STEEL

密封/SEALS: 丁腈胶/NBR

温度/TEMPERATURES

理想工作温度: +40°C~+70°C

Ideal operating range between +40°C and +70°C

最低/最高环境温度: -20°C~+60°C

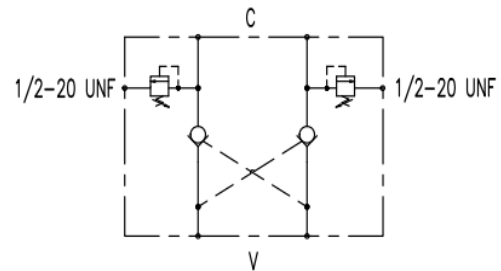
Min/Max environment temps -20°C~and +60°C

最高工作温度: 90°C/Max operating temperature 90°C

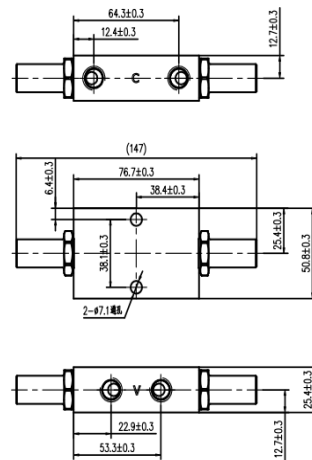
公称压力/Nominal Pressure:

额定流量/Rated Flow: 30L/min 先导比/Pilot Ratio: 8:1

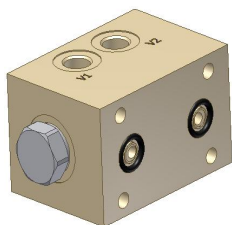
符号/SYMBOL:



外形尺寸/OVER DIMENSION:



KSPC-PF1/4



技术参数/TECHNICAL DATA:

应用材料/MATERIAL EMPLOYED

阀体/BODY: 钢/STEEL

阀芯/VALVES: 钢/STEEL

密封/SEALS: 丁腈胶/NBR

温度/TEMPERATURES

理想工作温度: +40°C~+70°C

Ideal operating range between +40°C and +70°C

最低/最高环境温度: -20°C~+60°C

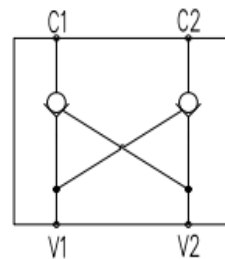
Min/Max environment temps -20°C~and +60°C

最高工作温度: 90°C/Max operating temperature 90°C

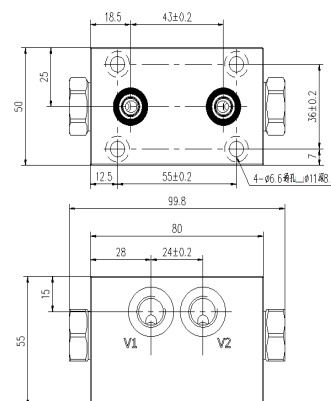
公称压力/Nominal Pressure: 21Mpa

额定流量/Rated Flow: 30L/min 先导比/Pilot Ratio: 7:1

符号/SYMBOL:

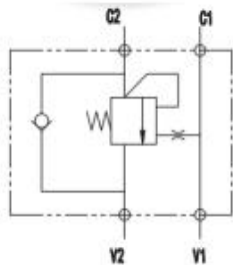


外形尺寸/OVER DIMENSION:



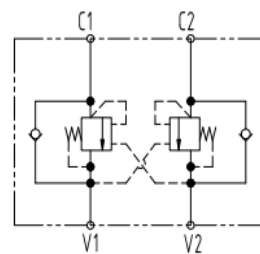
平衡阀

OVERCENTER VALVES



单向平衡阀

Single overcenter valve



双向平衡阀

Double overcenter valve

平衡阀是一种可调节阀，允许液流单向流动（V至C），反向开启则需要通过一个先导压力控制实现，阀的开口大小与先导压力成正比，阀组包括一个单向阀，允许液流单向流动，溢流阀先导活塞由先导压力控制，降低溢流阀设定压力来控制反向液流。

平衡阀是用来控制执行机构在一个反向（单平衡），或两个反向（双平衡）的停止和运动。

功能：

- ① 载荷的降低控制：只有当来自另一油路的先导压力使相应的阀芯开启时，载荷才能被降低；此操作不收气蚀影响
- ② 对冲击和过载引起的峰值压力进行溢流限压
- ③ 当多路阀不工作或液压泵停止时，锁死油路（和载荷）
- ④ 提升载荷过程中为自由通路（在此操作中中压降很小）

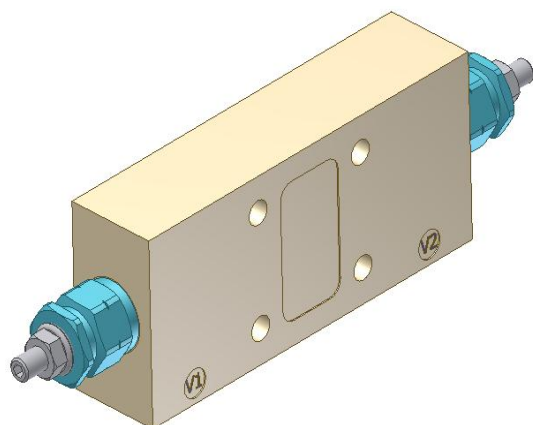
Overcenter valve is a kind of adjustable valve. It allow free flow in one direction (from V to C). reverse opening is achieved through a pilot pressure control, valve opening size is proportional to the pilot pressure, valve include a single valve that allows the flow of liquid flow, relief pilot piston is controlled by the pilot pressure, lower pressure setting to control the reverse flow.

The overcenter valves are employed to control the block and the motion of an actuators in one direction (single overcenter valve) or in both the directions (double overcenter valve).

Functions:

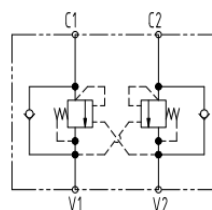
Load lowering control: the lowering of the load is possible only if there is a pilot pressure from the other line; this operation is independent by the cavitation.

- ① pressure relief for any pressure peaks caused by shocks or overloads
- ② locking of the flow (and of the load) when the directional valve isn't working or the pump is stopped
- ③ free flow for load lofting (the pressure drops for this operation are very low)



型号/TYPE	L	L1	L2	H	S	O-ring
KLCD-G3/8DE-FL	150	250	110	60	30	12.8X2.4
KLCD-G1/2DE-FL	150	250	110	65	35	12.8X2.4

符号/SYMBOL:



技术参数/TECHNICAL DATA:

应用材料/MATERIAL EMPLOYED

阀体/BODY: 钢/STEEL

阀芯/VALVES: 钢/STEEL

密封/SEALS: 丁腈胶/NBR

温度/TEMPERATURES

理想工作温度: +40°C~+70°C

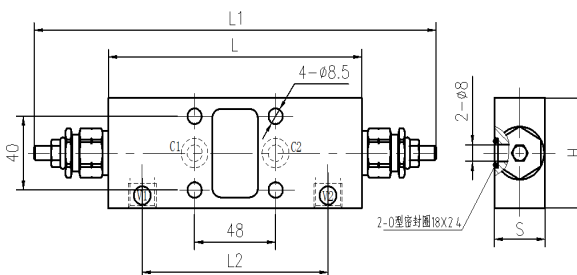
Ideal operating range between +40°C and +70°C

最低/最高环境温度: -20°C~+60°C

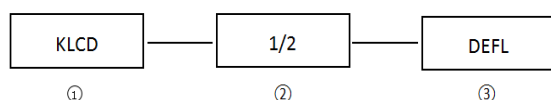
Min/Max environment temps -20°C~and

最高工作温度: 90°C/Max operating temperature 90°C

外形尺寸/OVER DIMENSION:



型号说明/MODEL CODE:



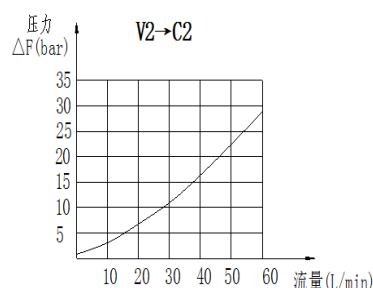
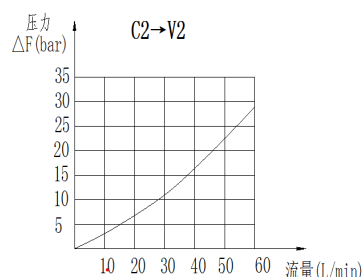
①液控平衡阀系列代号/Overcenter valve series code :KLCD-DEFL型/KLCD-DEFL type

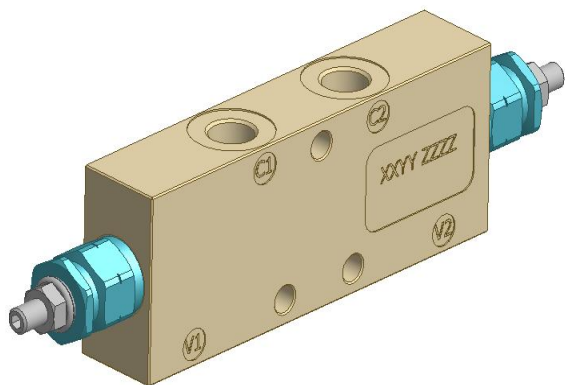
②阀体连接螺纹形式/connect thread dimension:BBSP

③双向平衡阀/Double overcenter

型号/TYPE	最大压力 (bar)		最大流量 (L/min)	先导比 (pilot ratio)	V1-V2
	钢/steel	铝/aluminum			
KLCD-G3/8DE-FL	350	210	40	4.5:1	G3/8
KLCD-G1/2DE-FL			60		G1/2

流量曲线图/FLOW DIAGRAM:





型号/TYPE	L	L1	L2	L3	L4	L5	L6	H1	H	S
KLCD-G1/4DE-A	150	238	50	110	30	50	44	30	60	30
KLCD-G3/8DE-A	150	238	50	110	30	50	44	30	60	30
KLCD-G1/2DE-A	150	238	50	110	30	50	44	30	65	35
KLCD-G3/4DE-A	190	280	65	143	44	62	64	40	80	35

技术参数/TECHNICAL DATA:

应用材料/MATERIAL EMPLOYED

阀体/BODY: 钢/STEEL

阀芯/VALVES: 钢/STEEL

密封/SEALS: 丁腈胶/NBR

温度/TEMPERATURES

理想工作温度: +40°C~+70°C

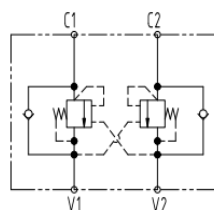
Ideal operating range between +40°C and +70°C

最低/最高环境温度: -20°C~+60°C

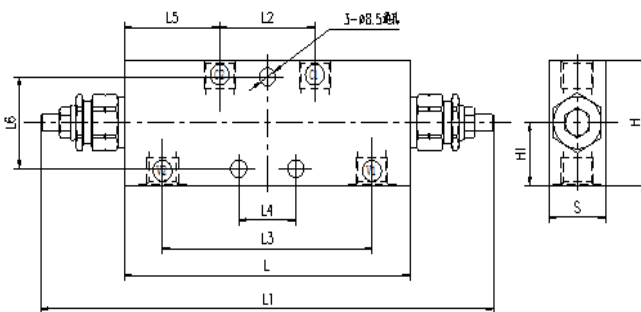
Min/Max environment temps -20°C~and

最高工作温度: 90°C/Max operating temperature 90°C

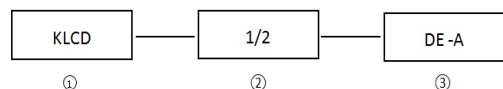
符号/SYMBOL:



外形尺寸/OVER DIMENSION:



型号说明/MODEL CODE:



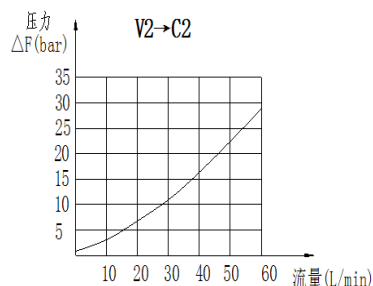
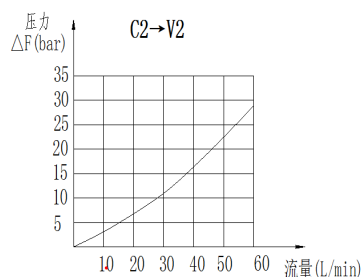
①液控平衡阀系列代号/Overcenter valve series code :KLCD DE-A型/:KLCD DE-A type

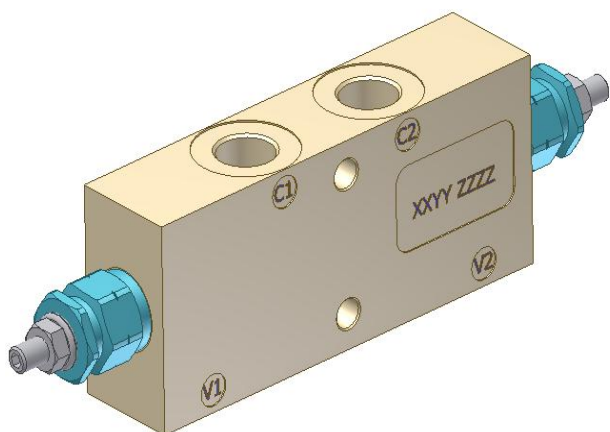
②阀体连接螺纹形式/connect thread dimension:BBSP

③双向平衡阀/ Double overcenter valves

型号/TYPE	最大压力 (bar)		最大流量 (L/min)	先导比 (pilot ratio)	V1-V2
	钢/steel	铝/aluminum			
KLCD-G1/4DE-A	350	210	20	4.5:1	G1/4
KLCD-G3/8DE-A			40		G3/8
KLCD-G1/2DE-A			60		G1/2
KLCD-G3/4DE-A			95		G3/4

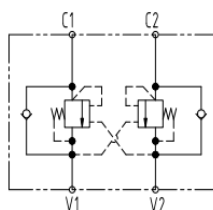
流量曲线图/FLOW DIAGRAM:





型号/TYPE	L	L1	L2	L3	L4	L5	L6	H1	H	S
KLCD-G1/4DE	150	250	50	110	30	50	44	30	60	30
KLCD-G3/8DE	150	238	50	110	30	50	44	30	60	30
KLCD-G1/2DE	150	238	50	110	30	50	44	30	65	35

图形符号/SYMBOL:



技术参数/TECHNICAL DATA:

应用材料/MATERIAL EMPLOYED

阀体/BODY: 钢/STEEL

阀芯/VALVES: 钢/STEEL

密封/SEALS: 丁腈胶/NBR

温度/TEMPERATURES

理想工作温度: +40°C~+70°C

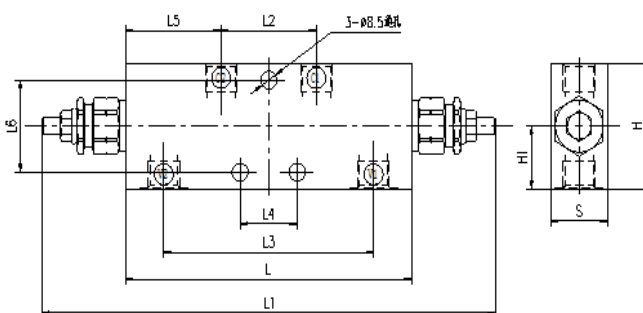
Ideal operating range between +40°C and +70°C

最低/最高环境温度: -20°C~+60°C

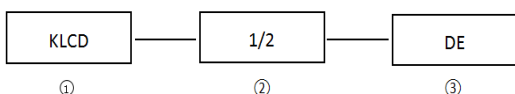
Min/Max environment temps -20°C~and

最高工作温度: 90°C/Max operating temperature 90°C

外形尺寸/OVER DIMENSION:



型号说明/MODEL CODE:

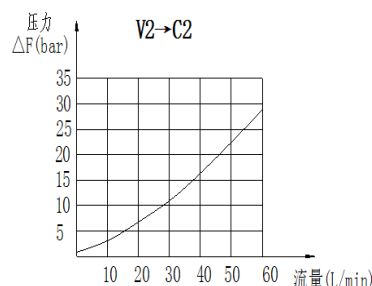
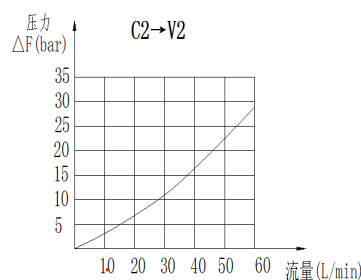


①液控平衡阀系列代号 overcenter valve series code :KLCD型/KLCD type

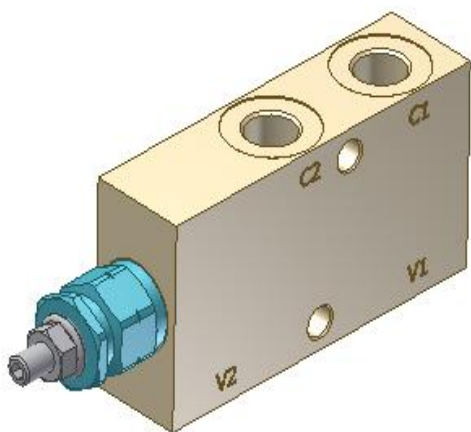
②阀体连接螺纹形式/connect thread dimension:BBSP

③双向平衡阀/ Double overcenter valves

流量曲线图/FLOW DIAGRAM:



型号/TYPE	最大压力 (bar)		最大流量 (L/min)	先导比 (pilot ratio)	V1-V2
	钢/steel	铝/aluminum			
KLCD-G1/4DE	350	210	20	4.5:1	G1/4
KLCD-G3/8DE			40		G3/8
KLCD-G1/2DE			60		G1/2



型号/TYPE	L	L1	L2	L3	L4	L5	L6	N	H	S
KLCD-G1/4-SEA	110	150	90	90	20	50	55	Ø8.5	60	30
KLCD-G3/8-SEA	110	150	91	91	20	50	55	Ø8.5	60	30
KLCD-G1/2-SEA	110	150	91	91	20	50	57.5	Ø8.5	65	35

技术参数/TECHNICAL DATA:

应用材料/MATERIAL EMPLOYED

阀体/BODY: 钢/STEEL

阀芯/VALVES: 钢/STEEL

密封/SEALS: 丁腈胶/NBR

温度/TEMPERATURES

理想工作温度: +40°C~+70°C

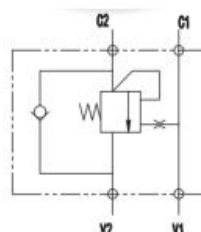
Ideal operating range between +40°C and +70°C

最低/最高环境温度: -20°C~+60°C

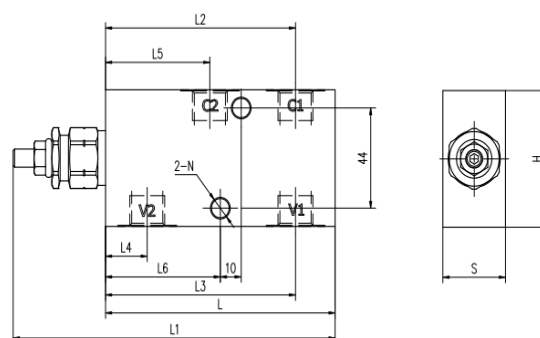
Min/Max environment temps -20°C~and

最高工作温度: 90°C/Max operating temperature 90°C

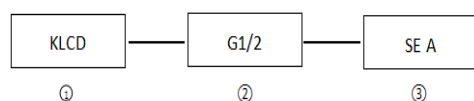
图形符号/SYMBOL:



外形尺寸/OVER DIMENSION:



型号说明/MODEL CODE:

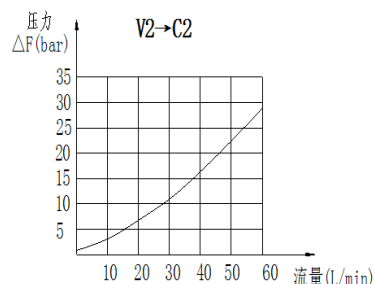
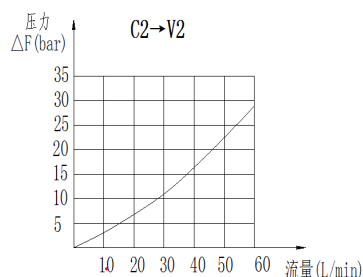


①液控单平衡阀系列代号/single overcenter valve

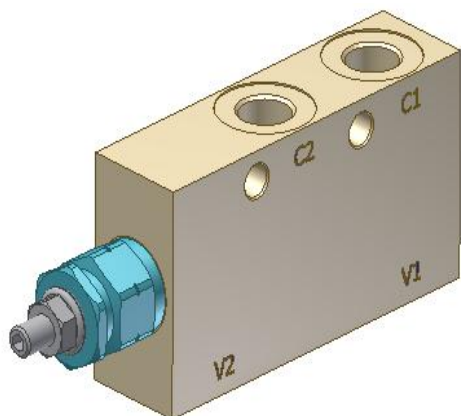
②阀体连接螺纹形式/connect thread dimension: BBSP

③单向平衡阀/ Single overcenter valves

流量曲线图/FLOW DIAGRAM:

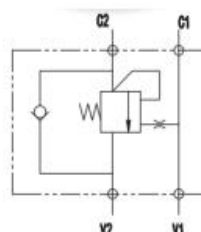


型号/TYPE	最大压力 (bar)		最大流量 (L/min)	先导比 (pilot ratio)	V1-V2 C1-C2
	钢/steel	铝/aluminum			
KLCD-G1/4-SEA	350	210	20	4.5:1	G1/4
KLCD-G3/8-SEA			40		G3/8
KLCD-G1/2-SEA			60		G1/2



型号/TYPE	L	L1	L2	L3	L4	L5	L6	N	H	S
KLCD-G1/4-SE	110	150	90	90	20	50	55	Ø8.5	60	30
KLCD-G3/8-SE	110	150	91	91	20	50	55	Ø8.5	60	30
KLCD-G1/2-SE	110	150	91	91	20	50	57.5	Ø8.5	65	35

图形符号/SYMBOL:



技术参数/TECHNICAL DATA:

应用材料/MATERIAL EMPLOYED

阀体/BODY: 钢/STEEL

阀芯/VALVES: 钢/STEEL

密封/SEALS: 丁腈胶/NBR

温度/TEMPERATURES

理想工作温度: +40°C~+70°C

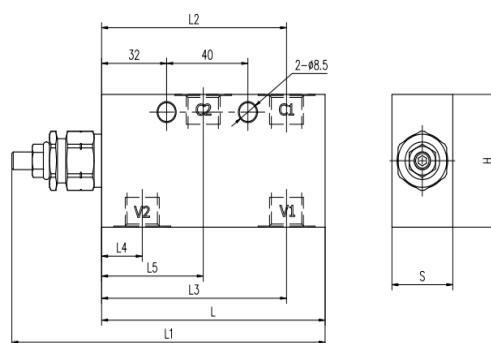
Ideal operating range between +40°C and +70°C

最低/最高环境温度: -20°C~+60°C

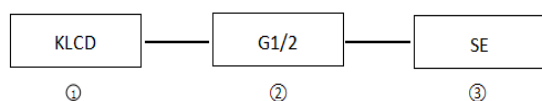
Min/Max environment temps -20°C~and

最高工作温度: 90°C/Max operating temperature 90°C

外形尺寸/OVER DIMENSION:



型号说明/MODEL CODE:

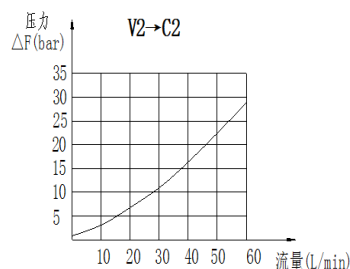
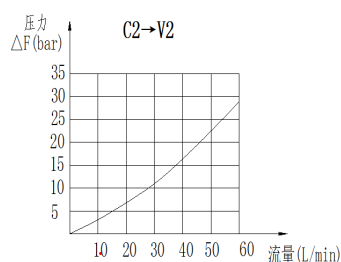


①液控单平衡阀系列代号/single overcenter valve

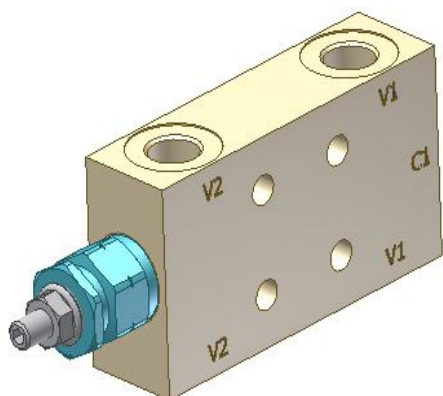
②阀体连接螺纹形式/connect thread dimension:BBSP

③单向平衡阀/ Single overcenter valves

流量曲线图/FLOW DIAGRAM:



型号/TYPE	最大压力 (bar)		最大流量 (L/min)	先导比 (pilot ratio)	V1-V2 C1-C2
	钢/steel	铝/aluminum			
KLCD-G1/4-SE	350	210	20	4.5:1	G1/4
KLCD-G3/8-SE			40		G3/8
KLCD-G1/2-SE			60		G1/2



技术参数/TECHNICAL DATA:

应用材料/MATERIAL EMPLOYED

阀体/BODY: 钢/STEEL

阀芯/VALVES: 钢/STEEL

密封/SEALS: 丁腈胶/NBR

温度/TEMPERATURES

理想工作温度: +40°C~+70°C

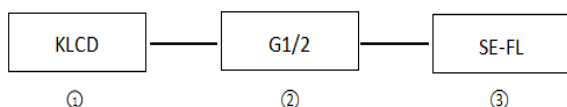
Ideal operating range between +40°C and +70°C

最低/最高环境温度: -20°C~+60°C

Min/Max environment temps -20°C~and

最高工作温度: 90°C/Max operating temperature 90°C

型号说明/MODEL CODE:



①液控单平衡阀系列代号/single overcenter valve

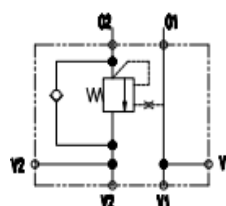
②阀体连接螺纹形式/connect thread dimension: BBSP

③单向平衡阀板式连接/ Single overcenter valves flangeable

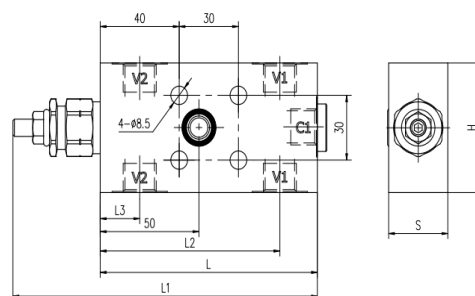
型号/TYPE	最大压力 (bar)		最大流量 (L/min)	先导比 (pilot ratio)	V1-V2 C1-C2	C2
	钢/steel	铝/aluminum				
KLCD-G3/8-SE-FL	350	210	40	4.5:1	G3/8	∅9
KLCD-G1/2-SE-FL			60		G1/2	∅9

型号/TYPE	L	L1	L2	L3	H	S
KLCD-G3/8-SE-FL	110	150	91	20	60	30
KLCD-G1/2-SE-FL	110	150	91	20	65	35

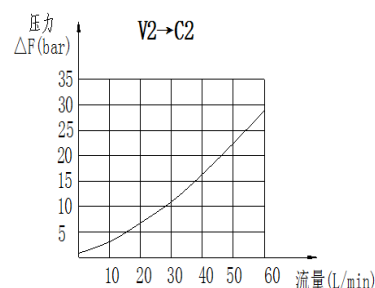
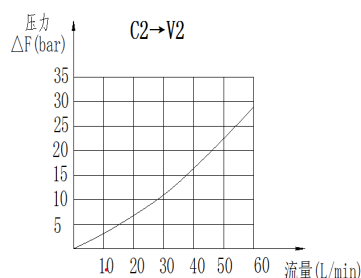
图形符号/SYMBOL:

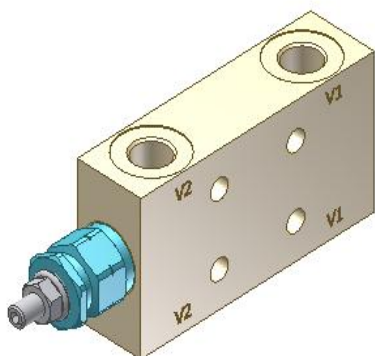


外形尺寸/OVER DIMENSION:



流量曲线图/FLOW DIAGRAM:





型号/TYPE	L	L1	L2	L3	H	S
KLCD-G3/8-SE-FL2	110	150	91	20	60	30
KLCD-G1/2-SE-FL2	110	150	91	20	65	35

技术参数/TECHNICAL DATA:

应用材料/MATERIAL EMPLOYED

阀体/BODY: 钢/STEEL

阀芯/VALVES: 钢/STEEL

密封/SEALS: 丁腈胶/NBR

温度/TEMPERATURES

理想工作温度: +40°C~+70°C

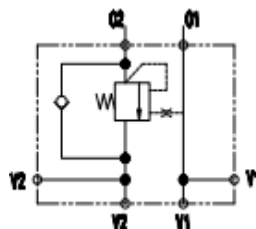
Ideal operating range between +40°C and +70°C

最低/最高环境温度: -20°C~+60°C

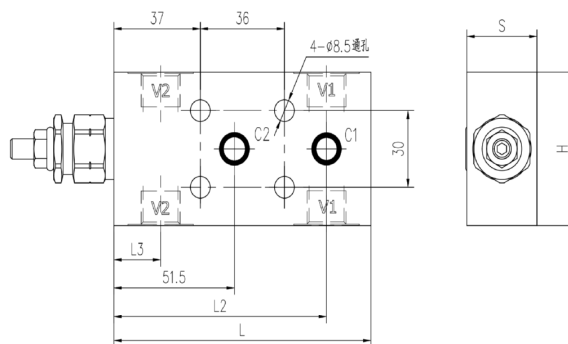
Min/Max environment temps -20°C~and

最高工作温度: 90°C/Max operating temperature 90°C

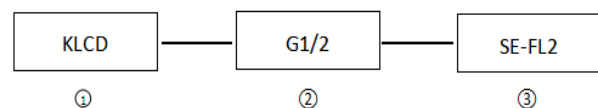
图形符号/SYMBOL:



外形尺寸/OVER DIMENSION:



型号说明/MODEL CODE:

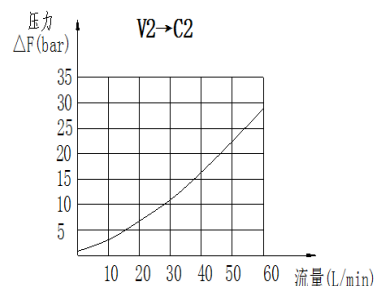
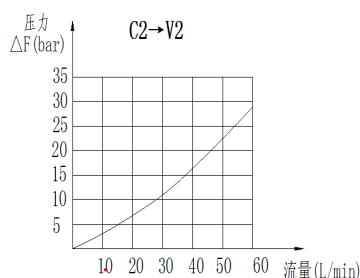


①液控单平衡阀系列代号/single overcenter valve

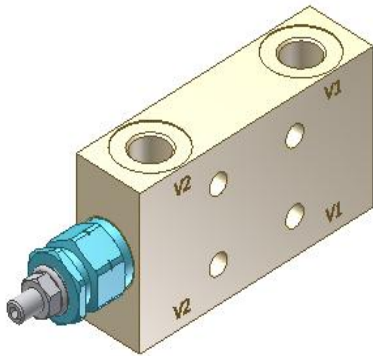
②阀体连接螺纹形式/connect thread dimension: BBSP

③单向平衡阀板式连接/ Single overcenter valves flangeable

流量曲线图/FLOW DIAGRAM:



型号/TYPE	最大压力 (bar)		最大流量 (L/min)	先导比 (pilot ratio)	V1-V2	C1-C2
	钢/steel	铝/aluminum				
KLCD-G3/8-SE-FL2	350	210	40	4.5:1	G3/8	Ø9
KLCD-G1/2-SE-FL			60		G1/2	Ø9



型号/TYPE	L	L1	L2	L3	L4	H	S
KLCD-G1/4SE-3V	110	150	20	50	25	60	30
KLCD-G3/8SE-3V	100	150	20	50	25	60	30
KLCD-G1/2SE-3V	100	150	20	50	25	65	35

技术参数/TECHNICAL DATA:

应用材料/MATERIAL EMPLOYED

阀体/BODY: 钢/STEEL

阀芯/VALVES: 钢/STEEL

密封/SEALS: 丁腈胶/NBR

温度/TEMPERATURES

理想工作温度: +40°C~+70°C

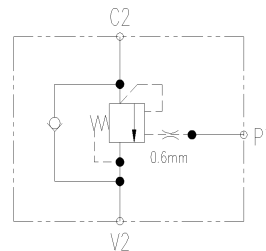
Ideal operating range between +40°C and +70°C

最低/最高环境温度: -20°C~+60°C

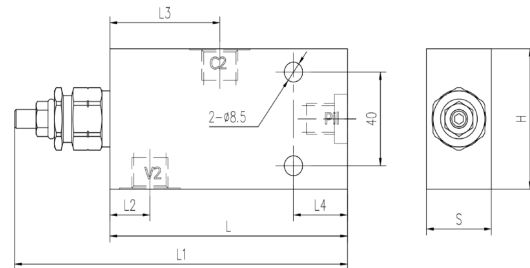
Min/Max environment temps -20°C~and

最高工作温度: 90°C/Max operating temperature 90°C

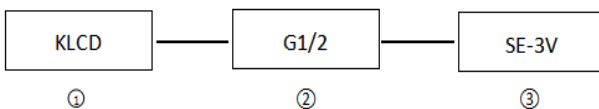
图形符号/SYMBOL:



外形尺寸/OVER DIMENSION:



型号说明/MODEL CODE:

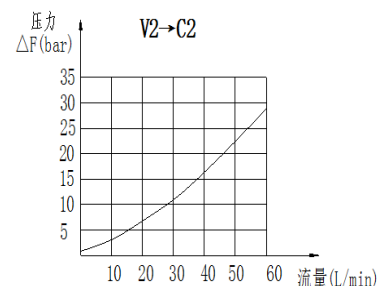
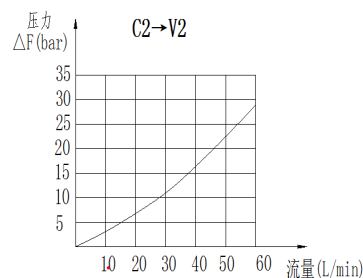


①液控单平衡阀系列代号/single overcenter valve

②阀体连接螺纹形式/connect thread dimension: BBSP

③单向平衡阀/ Single overcenter valves

流量曲线图/FLOW DIAGRAM:



型号/TYPE	最大压力 (bar)		最大流量 (L/min)	先导比 (pilot ratio)	V2 C2	P1
	钢/steel	铝/aluminum				
KLCD-G1/4SE-3V	350	210	20	4.5:1	G1/4	G1/4
KLCD-G3/8SE-3V			40		G3/8	
KLCD-G1/2SE-3V			60		G1/2	