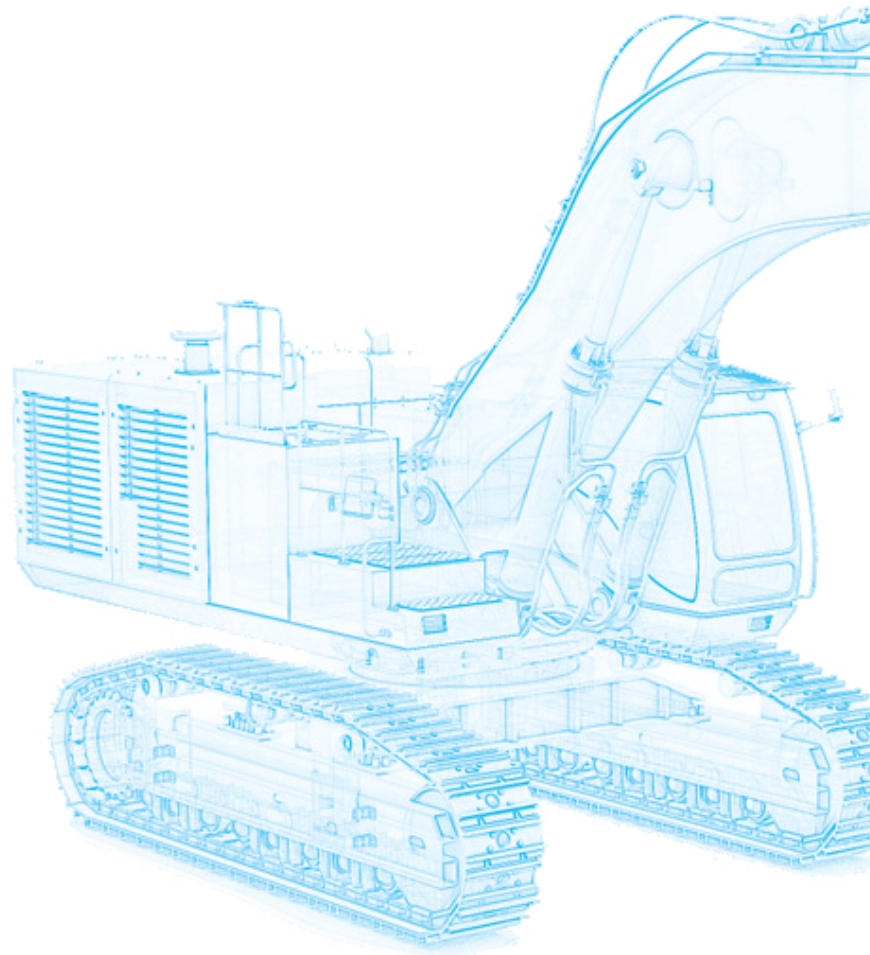


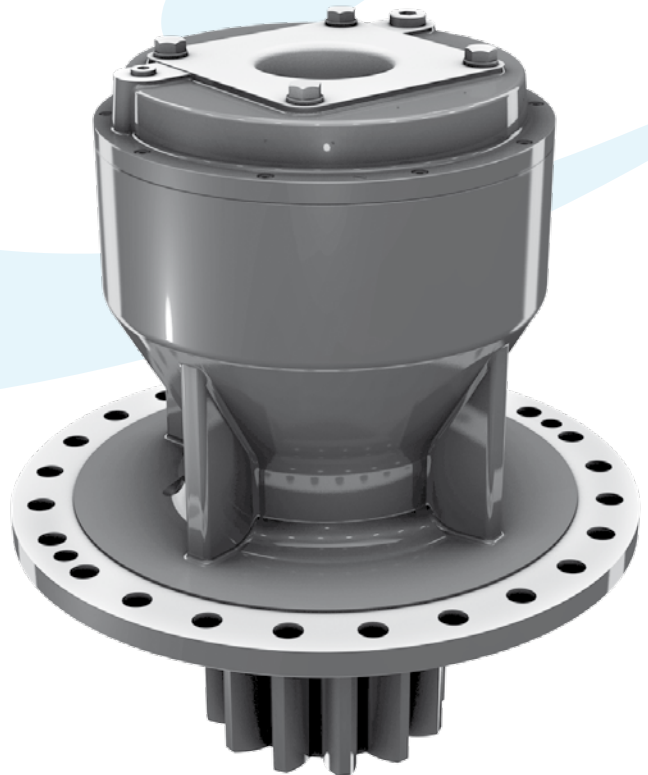


comer industries

CRAWLER EXCAVATORS

履带挖掘机





Comer Industries is a global leader in **mechatronic solutions** and **integrated systems for power transmission**, supplied to **major manufacturers** of **agricultural** and **industrial machinery** worldwide.

Industrial operations are structured in **five plants in Italy**, one facility in **China** (Pinghu) and one in **India** (Bangalore).

To develop and test advanced product solutions, Comer Industries relies on its **Mechatronics Research Center**, established in 1996 and equipped with the latest technologies and experimental tools.

Comer Industries plants worldwide have been designed following the principles of **World Class Manufacturing (WCM)**, a Japanese work-based integrated production methodology developed in the USA in the 1990s which involves the entire organization, from safety to environment, maintenance, logistics and quality. It targets the elimination of all wastes with the ultimate objective of achieving zero defects, zero accidents, zero breakdowns and zero inventory.

Comer Industries designs and manufactures **highly customized, adaptable** and **advanced transmissions**, such as planetary drives, wheel drives, slew drives, planetary drives for special industrial applications, rigid and steering axles for mobile operating machinery and stationary plants.

To meet the demands of **crawler excavator market**, Comer Industries can offer a wide variety of **final drives**, which have been fully validated through field and bench tests.

Slew drives solutions, with a wide selection of pinion and the possibility to be coupled with any hydraulic motor, complete the offer for the excavation market.

Both product ranges, thanks to their state of the art design, virtual simulation and manufacturing technology, maximize the **power density without affecting compactness**, while fulfilling the growing needs of OEMs in terms of **performances and boosted efficiency**.

The company operates in the major world markets through its own **sales subsidiaries** in Germany, United Kingdom, United States, Brazil, China and India.



康迈尔是机电一体化解决方案和传动整合系统的全球领导者，供货给全球主要的农业和工业机械制造商。

我们在意大利有五家工厂，还有中国的平湖工厂，印度的班加罗尔工厂。

康迈尔于1996年建立的机电一体化研究中心，配备了最先进的技术和实验工具，致力于开发和测试先进产品的解决方案。

康迈尔全球工厂遵循世界级制造（WCM）原则，系于20世纪90年代应用于美国的日本精益生产方法，其涉及从安全到环境、维护、物流和质量的整个体系。目标是消除浪费，最终实现零缺陷，零事故，零故障和零库存。

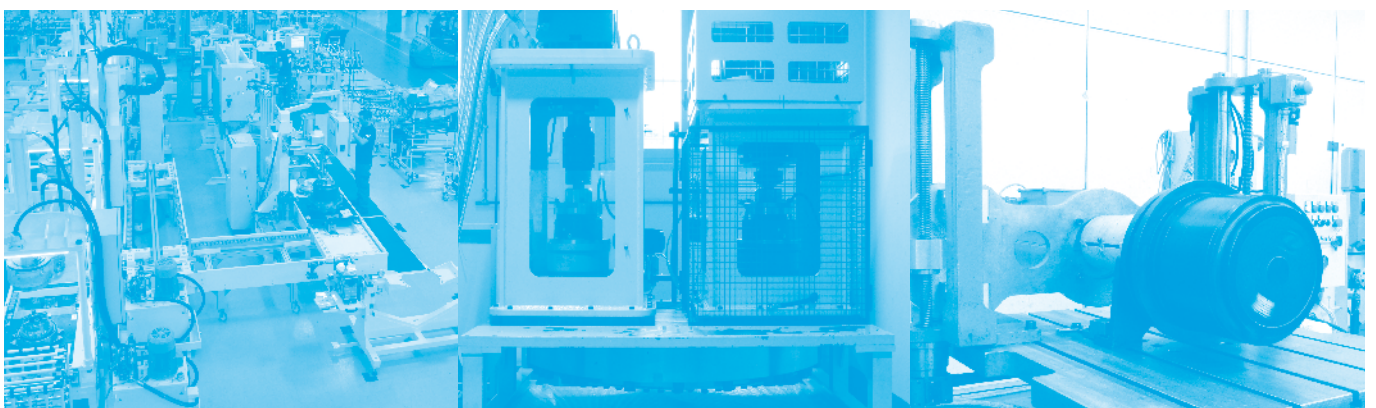
康迈尔的设计和制造是高度定制，适用广泛和技术先进的传动，如特殊应用、移动和固定设备的固定式和转向式车桥的行星传动，轮边行走，回转驱动，行星减速机。

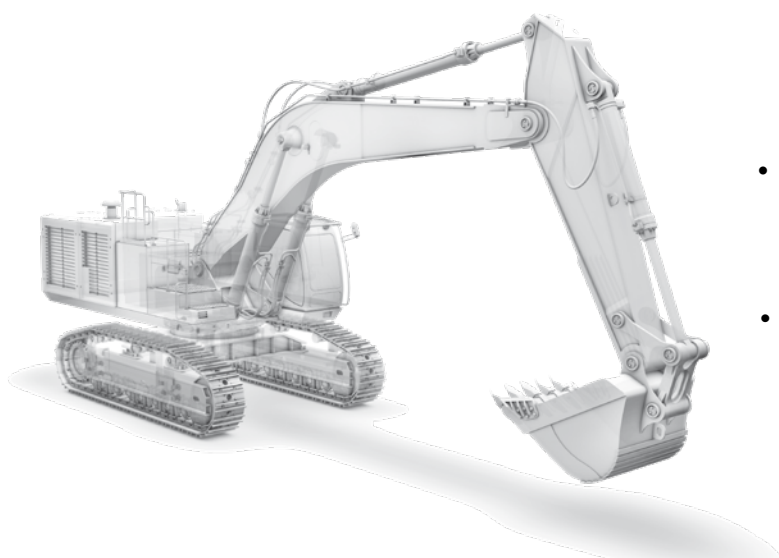
为满足履带式挖掘机市场的需求，康迈尔可提供已通过现场和台架测试充分验证的各种行走减速机。

我们的回转减速机解决方案，有多种齿轮可供选择，适用于各种液压马达，为挖掘机市场提供完整的解决方案。


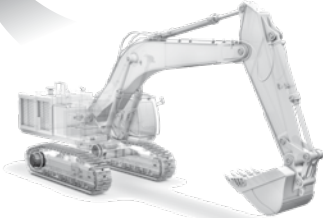

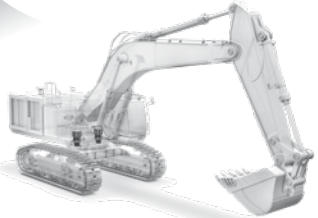

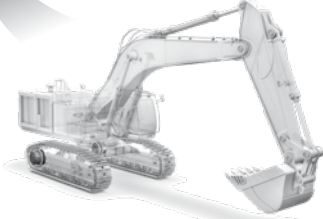

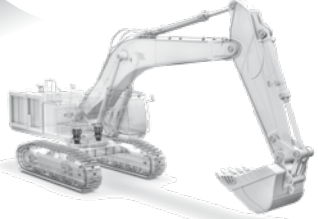
得益于最先进的设计，虚拟仿真和制造技术，我们的产品在不影响紧凑性的同时实现了功率密度最大化，也满足了OEM在性能和效率提高方面不断增长的需求。

通过在德国，英国，美国，巴西，中国和印度的销售分公司，我们在全球主要市场开展业务。


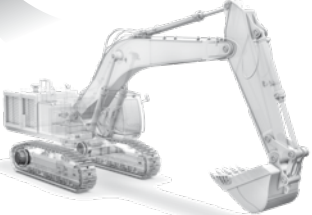

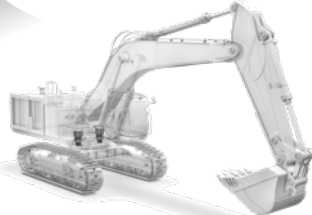

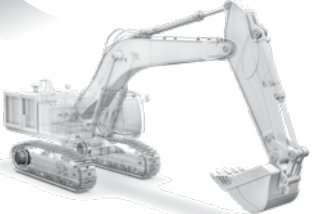

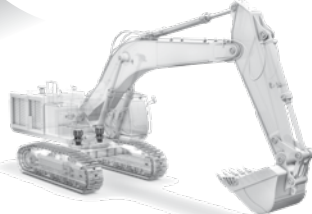

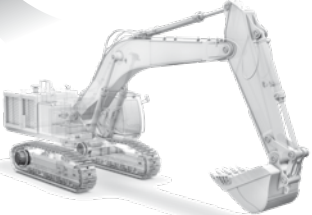

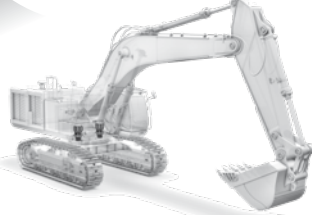





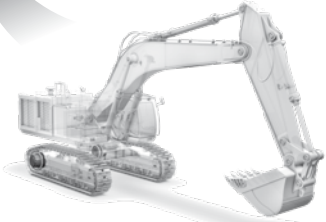

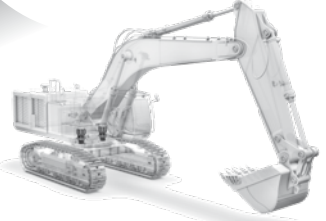
- Extreme compact slew and track drives for excavators, enabling high machine performance and easier serviceability.
- 紧凑型的挖掘机回转和履带行走减速机，实现了强大的机械性能和便捷的使用性。

Operating Weight 工作重量 [t]	Final Drive 行走减速机	Slew Drive 回转减速机
20 ÷ 25	<p>PGR-3800</p>  <p>Type EX / 型号 EX</p> 	<p>PG-2300</p>  <p>Type PR / 型号 PR</p> 
25 ÷ 35	<p>PGR-4800</p>  <p>Type EX / 型号 EX</p> 	<p>PG-2300</p>  <p>Type PR / 型号 PR</p> 



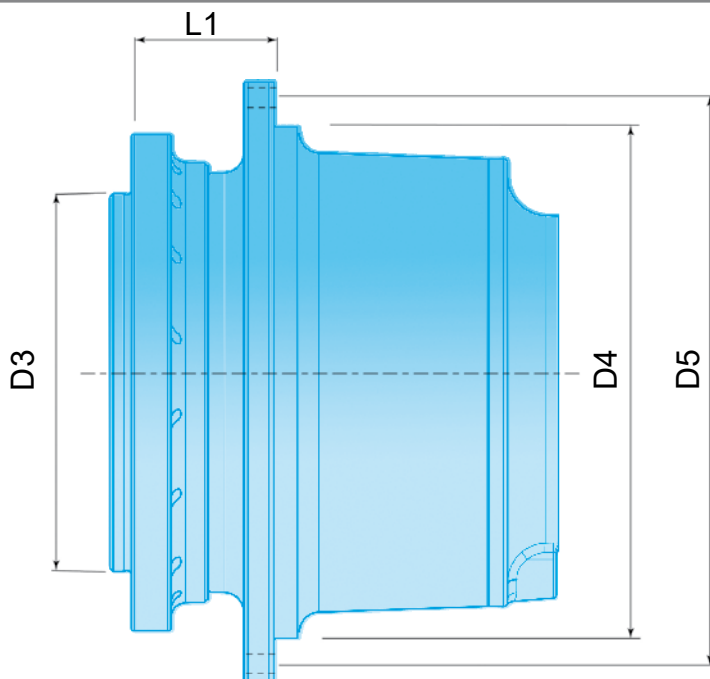
Operating Weight 工作重量 [t]	Final Drive 行走减速机	Slew Drive 回转减速机
<p>35 ÷ 45</p>	<p>PGR-8000</p>  <p>Type EX / 型号 EX</p> 	<p>PG-2800</p>  <p>Type PR / 型号 PR</p> 
<p>45 ÷ 52</p>	<p>PGR-9000</p>  <p>Type EX / 型号 EX</p> 	<p>PG-2300 x 2</p>  <p>Type PR / 型号 PR</p> 
<p>52 ÷ 80</p>	<p>PGR-14000</p>  <p>Type EX / 型号 EX</p> 	<p>PG-2300 x 2</p>  <p>Type PR / 型号 PR</p> 



Operating Weight 工作重量 [t]	Final Drive 行走减速机	Slew Drive 回转减速机
<p>80 ÷ 95</p>	<p>PGR-18000</p>  <p>Type EX / 型号 EX</p> 	<p>PG-2800 x 2</p>  <p>Type PR / 型号 PR</p> 



PGR Series
PGR系列



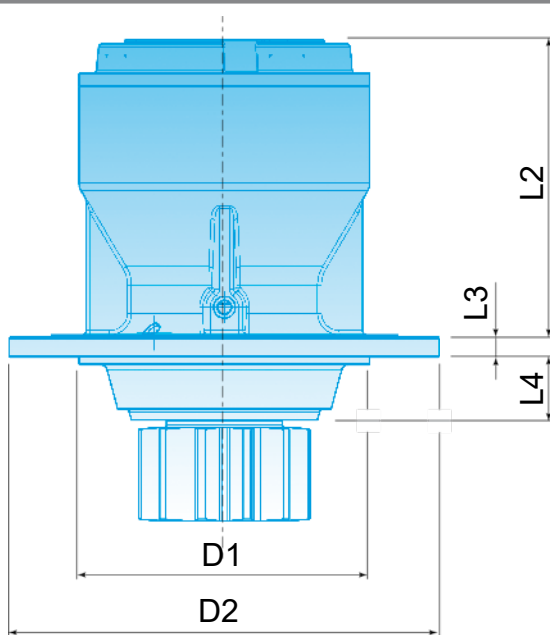
EX version / EX版本
(Threaded Holes / 螺纹孔)

Transmissions 传动	Max. Torque 最大扭矩 [Nm]	i	D3 [mm]	D4 [mm]	L1 [mm]	D5 [mm]
PGR-3800	38 000	20:1 35:1 41:1 50:1	∅ 300	∅ 402	98.5	∅ 440
PGR-4800	48 000	56.5:1 66.3:1 76.9:1	∅ 340	∅ 410	107	∅ 455
PGR-8000	80 000	64:1 74.3:1 90.2:1	∅ 380	∅ 450	144	∅ 490
PGR-9000	90 000	64:1 74.3:1 90.2:1	∅ 420	∅ 500	166	∅ 550
PGR-14000	140 000	84:1 97.8:1 107:1	∅ 450	∅ 600	185	∅ 668
PGR-18000	180 000	84:1 97.8:1 107:1	∅ 450	∅ 600	185	∅ 668

Above figures are purely indicative. Individual applications are subjected to approval by Comer Industries Spa.
上述均为指导性数据，个体应用需待康迈尔审核。



PG Series
PG系列



PR Version
PR形式

Transmissions 传动	Operating Weight 工作重量 [t]	Max. Torque 最大扭矩 [Nm]	i	D1 [mm]	D2 [mm]	L2 [mm]		L3 [mm]	L4 [mm]	Weight 重量 [kg]		Pinion 齿轮
							with brake 带制动				with brake 带制动	
PG-2300	20 ÷ 25	16 500	17.7:1 19.6:1 25.2:1	∅ 270	∅ 478	304	377	28	59	200	247	Based on Customer Request 根据客户需求
	25 ÷ 35			∅ 340		356	432		66	240	287	
	45 ÷ 52			∅ 298	356	432	66		235	282		
	52 ÷ 80			∅ 360	∅ 564	63.5	263		310			
PG-2800	35 ÷ 45	21 000	24.2:1 30.5:1 35.6:1	∅ 400	∅ 592	408.5	481.5	86	297	346		
	80 ÷ 95			∅ 400	∅ 592	408.5	481.5		86	315	364	

Above figures are purely indicative. Individual applications are subjected to approval by Comer Industries Spa.
上述均为指导性数据，个体应用需待康迈尔审核。



comer industries

Comer Industries SpA

42046 Reggiolo (RE) - Italy - Via Magellano, 27 - Tel. +39 0522 974111 - Fax +39 0522 973249

Updated information about our sales network and product ranges is available at: www.comerindustries.com

Comer Industries shall have no liability for the completeness and accuracy of the information and cannot be held liable for any third-party claims or losses of any damages. The information represented in this catalogue can be revised at any time without notice.

我们最新的销售网络及产品信息，敬请参阅 www.comerindustries.com
康迈尔对信息的完整性和准确性不承担任何责任。对任何第三方的索赔、损失或损害不承担任何责任。