

液压废料抓

HYDRAULIC GRAB-AUSTRALIA TYPE

适用对象

园林, 垃圾场, 矿山。

产品特点

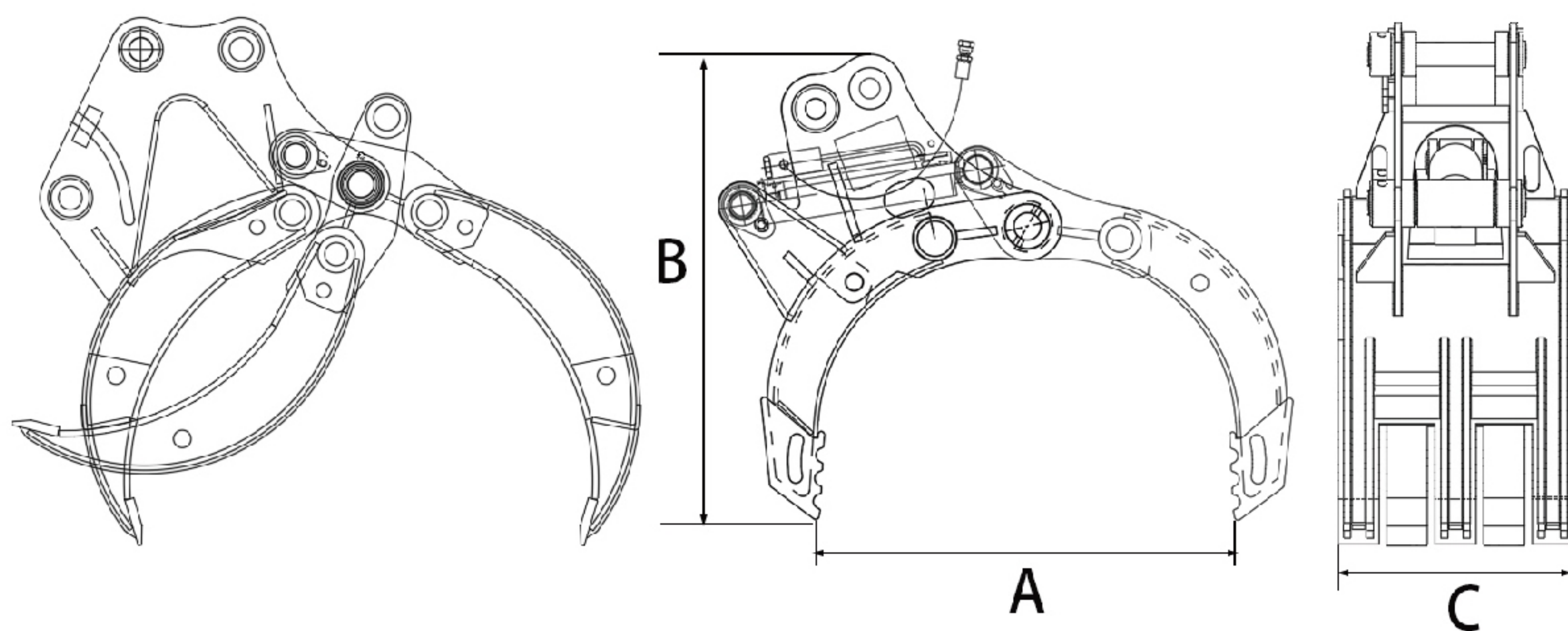
结构新颖、坚固, 可调轴距。

Applications

Widely used in waste recycle yards, gradens and mines.

Main features

Eccentric pin design making pin center distance adjustable. NM400 steel.



类别/ Category	Unit	JT-00	JT-01	JT-02	JT-04	JT-06	JT-08	JT-10
油缸压力 Oil Cylinder Pressure	bar	80-110	80-110	110-140	120-160	150-170	160-180	200-220
运行流量 Operating Flow	lpm	25-40	25-40	30-55	50-100	90-110	100-140	160-180
适配挖机 Suitable Excavator	ton	1-2	2-3	4-6	6-9	12-16	17-23	30-36
油缸推力 Oil Cyinder Thrunst	ton	3.9	6.6	10	10	12	24	38.8
开口A Open Width A	mm	610	745	830	890	1225	1510	1884
高度B Height B	mm	680	900	1000	1105	1325	1675	2050
宽度C Width C	mm	435	400	495	545	620	820	1000
设备重量 Weight	kg	110-130	130-190	250-290	350-380	570-620	650-800	1900