

TOP DRILL

CONSTRUCTION DRILLING / MINING AND QUARRY DRILLING
 WATER WELL AND GEOTHERMAL DRILLING / EXPLORATION DRILLING

- ▶ DTH Hammer Series
- ▶ DTH BIT Series
- ▶ Overburden Drilling Systems
- ▶ Other Products



TOP DRILL PRODUCT CATALOGUE

- ▶ DTH Hammer Series
- ▶ DTH BIT Series
- ▶ Overburden Drilling System
- ▶ Other Products



CONSTRUCTION
 MINING AND QUARRYING
 WATER WELL AND GEOTHERMAL
 EXPLORATION

DRILLING

▶▶▶ CONTENTS

DTH Hammer Series	
TG Hammer	04
TGX Hammer	08
TRC Hammer	09
DTH BIT Series	
Drill Bits	11
Hole Openers	12
Ring Bits	12
Overburden Drilling Systems	
TRB Systems	14
TDS Systems	15
TDN Systems	15
TREX Systems	16
TDEX Systems	16
Other Products	
RCD Roller Cutter	17
Shock Absorbers	18
Drill Pipes	19



TOP DRILL DTH Hammer Series

■ TG Hammer ■ TGX Hammer ■ TRC Hammer



TG HAMMER SERIES

TG hammer is TOPDRILL's latest down the hole hammers design. In extensive testing, these state-of-the-art hammers perform well with increased power and more efficient drilling.

FEATURES AND BENEFITS

- Patented design transfers maximum energy output
- Offering solution for even larger holes
- Providing excellent durability with experienced quality control
- Easy maintenance and assembly structure
- Innovative Bit retainer system



TG HAMMER SPECIFICATIONS (Large size)

Model	TG450N		TG450S		TG550C		TG550S		TG640C		TG800		TG900	
Connection	API 8 5/8" Reg. Pin, Hex Joint		API 8 5/8" Reg. Pin, Hex Joint		API 8 5/8" Reg. Pin, Hex Joint		Hex Joint		Hex Joint		Hex Joint		Hex Joint	
Bit Shank	TG450		TG450		N240		TG550		TG640		TG800		TG900	
General Specifications	Metric	Imperial	Metric	Imperial	Metric	Imperial	Metric	Imperial	Metric	Imperial	Metric	Imperial	Metric	Imperial
Reversible casing	NO		NO		NO		NO		NO		NO		NO	
Recommended bit diameter	460 – 660	18 1/9 – 26	460 – 660	18 1/9 – 26	610 – 850	24 – 33 1/2	610 – 850	24 – 33 1/2	710 – 975	28 – 38 2/5	900 – 1250	35 3/7 – 49 1/5	1020 – 1450	40 1/6 – 57
Outside Diameter	415	16.34	415	16.34	530	20.87	530	20.87	640	25.20	800	31.50	900	35.43
Length w/o connection & bit	1872.0	73.7	2065.0	81.3	1872.0	73.7	1997.5	78.6	2144.0	84.4	2173.5	85.6	2195.5	86.4
Weight w/o bit	1474.9	3251.7	1656.9	3652.8	2375.0	5236.0	2587.7	5704.9	4205.0	9207.4	6519.7	14373.5	8405.2	18530.3
Backhead across flats (mm)	50 X 370 AF / 4-ø40		50 X 370 AF / 4-ø40		54 X 480 AF / 4-ø40		4-ø40		4-ø50		4-ø50		4-ø50	
Air Consumption														
6.9 BAR / 100 PSI (m3/min & cfm)	45.0	1590	46.4	1640	55.2	1950	54.4	1920	65.7	2320	85.8	3030	96.8	3420
10.3 BAR / 150 PSI (m3/min & cfm)	64.7	2285	66.2	2340	79.8	2820	82.4	2910	100.2	3540	139.0	4910	150.6	5320
13.8 BAR / 200 PSI (m3/min & cfm)	85.2	3010	89.5	3160	99.7	3520	109.3	3860	135.3	4780	195.0	6920	211.0	7460
Available Options														
Bit Shank	N180 / SD18 / QL200		N180 / SD18		TG550		N240							
Bit retainer system	YES		YES		YES		YES							

TG HAMMER SERIES

TG hammer is TOPDRILL's latest down the hole hammers design. In extensive testing, these state-of-the-art hammers perform well with increased power and more efficient drilling.

TG HAMMER SPECIFICATIONS (Medium size)

Model	TG100L		TG100N		TG120L		TG120N		TG125		TG320N		TG320S		TG370N		TG370S	
Connection	API 6 5/8" Reg. Pin, Hex Joint		API 6 5/8" Reg. Pin, Hex Joint		API 6 5/8" Reg. Pin, Hex Joint		API 6 5/8" Reg. Pin, Hex Joint		API 6 5/8" Reg. Pin, Hex Joint		API 8 5/8" Reg. Pin, Hex Joint		API 8 5/8" Reg. Pin, Hex Joint		API 8 5/8" Reg. Pin, Hex Joint		API 8 5/8" Reg. Pin, Hex Joint	
Bit Shank	SD10		SD10		SD12		SD12		N125		TG320		TG320		TG370		TG370	
General Specifications	Metric	Imperial	Metric	Imperial	Metric	Imperial	Metric	Imperial	Metric	Imperial	Metric	Imperial	Metric	Imperial	Metric	Imperial	Metric	Imperial
Reversible casing	NO		NO		NO		NO		NO		NO		NO		NO		NO	
Recommended bit diameter	251 – 305	9 7/8 – 12	251 – 305	9 7/8 – 12	300 – 445	11 4/5 – 17 1/2	300 – 445	11 4/5 – 17 1/2	311 – 460	12 1/4 – 18 1/9	355 – 525	14 – 20 2/3	355 – 525	14 – 20 2/3	445 – 575	17 1/2 – 22 2/3	445 – 575	17 1/2 – 22 2/3
Outside Diameter	225	8.86	225	8.86	264	10.39	274	10.79	286	11.26	320	12.60	320	12.60	376	14.80	376	14.80
Length w/o connection & bit	1387.0	54.6	1487.0	58.5	1615.0	63.6	1788.0	70.4	1684.0	66.3	1739.0	68.4	1985.0	78.2	1910.0	75.2	2075.0	81.7
Weight w/o bit	310.3	684.1	336.5	741.9	494.0	19.4	628.0	1349.8	583.6	1286.6	826.0	1824.5	984.0	2139.5	1250.6	2757.1	1382.2	3047.3
Backhead breakout pin hole (mm)	70 X 165 AF		70 X 165 AF		4-ø40		4-ø40		4-ø40		4-ø34		4-ø34		4-ø40		4-ø40	
Air Consumption																		
10.3 BAR / 150 PSI (m³/min & cfm)	24.5	865	25.2	890	23.9	845	24.5	865	25.7	910	31.2	1100	35.7	1260	38.0	1340	40.2	1420
13.8 BAR / 200 PSI (m³/min & cfm)	29.6	1045	30.9	1090	32.3	1140	34.2	1210	37.0	1310	42.8	1510	47.6	1680	51.0	1800	54.1	1910
17.2 BAR / 250 PSI (m³/min & cfm)	32.8	1160	34.0	1200	43.0	1520	46.4	1640	49.0	1740	51.0	1800	59.5	2100	68.0	2400	72.0	2540
Available Options																		
Bit Shank	N100		N120 / DHD112 / DD10		DHD112 / N120		QL120		N125		SD15 / DD14							
Bit retainer system	YES								YES									

TG HAMMER SPECIFICATIONS (Small size)

Model	TG35		TG40		TG50		TG60		TGR60		TG70		TG80		TGR80		TG90	
Connection	API 2 3/8" Reg. Pin		API 2 3/8" Reg. Pin		API 3 1/2" Reg. Pin		API 3 1/2" Reg. Pin		API 3 1/2" Reg. Pin		API 4 1/2" Reg. Pin		API 4 1/2" Reg. Pin		API 4 1/2" Reg. Pin		API 4 1/2" Reg. Pin	
Bit Shank	DHD3.5		DHD340		DHD350		DHD360		SD6		SD8		DHD380		MACH80		TD90	
General Specifications	Metric	Imperial	Metric	Imperial	Metric	Imperial	Metric	Imperial	Metric	Imperial	Metric	Imperial	Metric	Imperial	Metric	Imperial	Metric	Imperial
Reversible casing	NO		NO		NO		NO		YES		NO		NO		YES		NO	
Recommended bit diameter	93 – 105	3 2/3 – 4 1/7	105 – 127	4 1/7 – 5	130 – 152	5 1/8 – 6	152 – 194	6 – 7 2/3	152 – 194	6 – 7 2/3	190 – 254	7 1/2 – 10	195 – 270	7 2/3 – 10 5/8	195 – 270	7 2/3 – 10 5/8	219 – 290	8 5/8 – 11 3/7
Outside Diameter	85	3.35	98	3.86	118	4.65	142	5.59	142	5.59	168	6.61	182	7.17	182	7.17	197	7.76
Length w/o connection & bit	797.0	31.4	961.1	37.8	1081.0	42.6	1218.5	48.0	1146.5	45.1	1163.0	45.8	1400.0	55.1	1341.5	52.8	1382.0	54.4
Weight w/o bit	25.2	55.6	39.7	87.5	61.5	135.6	104.2	229.7	96.0	211.6	143.4	316.2	195.5	431.1	188.0	414.9	234.8	517.5
Backhead across flats (mm)	40 X 67 AF		40 X 74 AF		40 X 100 AF		40 X 100 AF		40 X 100 AF		40 X 156 AF		50 X 128 AF		50 X 128 AF		50 X 143 AF	
Air Consumption																		
10.3 BAR / 150 PSI (m³/min & cfm)	5.2	185	7.2	254	8.7	310	12.5	440	12.9	455	13.6	480	15.6	550	15.6	550	16.0	565
13.8 BAR / 200 PSI (m³/min & cfm)	7.3	257	9.3	325	12.0	421	16.5	578	15.7	548	18.0	635	20.4	720	20.4	720	21.0	742
17.2 BAR / 250 PSI (m³/min & cfm)	9.2	324	11.1	394	15.0	530	19.8	700	17.7	625	22.9	810	26.0	920	26.0	920	26.6	940
20.7 BAR / 300 PSI (m³/min & cfm)	11.7	409	13.4	468	18.5	646	25.2	883	21.9	768	27.8	972	31.4	1100	31.4	1100	32.1	1124
24.1 BAR / 350 PSI (m³/min & cfm)	13.9	490	15.3	540	21.5	760	29.7	1050	25.3	895	32.5	1137	36.7	1285	36.7	1285	37.5	1312
Available Options																		
Bit Shank	TD40 / SD4 / QL40		QL50 / SD5		QL60 / SD6		QL60 / DHD360		QL80 / SD8		DHD380 / QL80 / SD8							
Bit retainer system	YES																	
Heavy Duty Design	YES (152mm / 6")																	

TGX HAMMER SERIES

TGX Hammer does not need foot valve of bit. It eliminates operation problem associated with the foot valve. TGX hammers perform well with higher piston frequency for soft-rock formation.

FEATURES AND BENEFITS

- Solid piston reduces residual stress affecting the failure
- Effective inner cylinder provides longer life
- Simplified design ensures ease of assembly and disassembly



TGX HAMMER SPECIFICATIONS

Model	TGX50		TGX60		TGX80	
Connection	API 3 1/2" Reg. Pin		API 3 1/2" Reg. Pin		API 4 1/2" Reg. Pin	
Bit Shank	M50		DHD360		SD8	
Reversible casing	NO		NO		NO	
General Specifications	Metric	Imperial	Metric	Imperial	Metric	Imperial
Recommended bit diameter	130 – 152	5 1/8 – 6	158 – 194	6 2/9 – 7 2/3	195 – 270	7 2/3 – 10 5/8
Outside Diameter	118	4.65	144	5.67	182	7.17
Length w/o connection & bit	1031.0	40.6	1089.0	42.9	1182.0	46.5
Weight w/o bit	61.0	134.6	100.0	220.4	171.7	378.6
Backhead across flats (mm)	40 X 100 AF		40 X 100 AF		60 X 148 AF	
Air Consumption						
10.3 BAR / 150 PSI (m³/min & cfm)	8.2	290	11.2	395	14.4	510
13.8 BAR / 200 PSI (m³/min & cfm)	11.2	393	14.7	514	19.7	695
17.2 BAR / 250 PSI (m³/min & cfm)	13.9	490	17.6	620	25.0	885
24.1 BAR / 350 PSI (m³/min & cfm)	20.4	720	26.0	920	36.0	1259
Available Options						
Bit Shank	QL50		SD6 / M60 / QL60		DHD380 / QL80 / M80	
Bit retainer system						
Heavy Duty Design	YES (152mm / 6")					

TRC HAMMER SERIES

It's a new version of Reverse Circulation hammer. The cuttings are evacuated to the ground through the inner tube of RC hammer. TRC hammers lead to productivity growth and cost savings.

FEATURES AND BENEFITS

- Available in a wide range of sizes
- Require less air to evacuate cuttings
- Minimize damage of surrounding formation in sensitive sites



TRC HAMMER SPECIFICATIONS

Model	TRC50		TRC80		TRC120	
Connection	4" / 4.5" Metzke, 4.5" Remet		Hex Joint		Hex Joint	
Bit Shank	RC50		RC80		RC120	
General Specifications	Metric	Imperial	Metric	Imperial	Metric	Imperial
Recommended bit diameter	133 – 146	5 1/4 – 5 3/4	204 – 260	8 1/5 – 10 5/8	300 – 426	11 4/5 – 16 7/9
Outside Diameter	121	4.76	194	7.64	286	11.26
Length w/o connection & bit	1078.5	42.46	1182.0	46.5	1625.0	64.0
Weight w/o bit	62.0	136.7	203.0	447.6	523.6	1154.5
Backhead across flats (mm)	30 X 116 AF		50 X 160 AF		40 X 260 AF	
Air Consumption						
10.3 BAR / 150 PSI (m³/min & cfm)	7.9	280	13.0	460	20.4	720
13.8 BAR / 200 PSI (m³/min & cfm)	11.3	400	18.1	640	28.3	1000
17.2 BAR / 250 PSI (m³/min & cfm)	15.3	540	23.8	840	39.6	1400
24.1 BAR / 350 PSI (m³/min & cfm)	22.6	800	34.0	1200		

* Other size of TRC Hammer is available upon customer's request.



DRILL BITS

TOP DRILL DTH BITS are designed for efficient drilling. These bits transfer maximum amount of piston energy to the rock. TOP DRILL DTH BITS are made to strict quality standard with experienced metal machining technology.

FEATURES AND BENEFITS

- Large diameter DTH bits are available up to 1500mm diameter
- Bit forgings are tested by ultrasonic and microscopic method
- Longer bit life is ensured by rigorous heat treatment, shot peening and careful deburring



TOP DRILL DTH BIT Series

- DRILL BITS
- HOLE OPENERS
- RING BITS

DRILL BITS

TOP DRILL DTH BITS are designed for efficient drilling. These bits transfer maximum amount of piston energy to the rock. TOP DRILL DTH BITS are made to strict quality standard with experienced metal machining technology.

DTH BIT SPECIFICATIONS

DTH Hammer	Bit Diameter		Shank
	MM	INCH	
ACE10	55 ~ 66	2 1/6 ~ 2 3/5	DOM10
ACE20L	66 ~ 76	2 3/5 ~ 3	DHD065
ACE20	70 ~ 80	2 3/4 ~ 3 1/7	MACH20
ACE30	87 ~ 105	3 3/7 ~ 4 1/7	DHD3.5
TG35	93 ~ 105	3 2/3 ~ 4 1/7	DHD3.5
TG40	105 ~ 127	4 1/7 ~ 5	DHD340
TG50, TGX50	130 ~ 152	5 1/8 ~ 6	QL50
TG60, TGX60, TGR60	152 ~ 194	6 ~ 7 2/3	QL60
TG80, TGX80, TGR80	195 ~ 270	7 2/3 ~ 10 5/8	SD8
TG90	219 ~ 290	8 5/8 ~ 11 3/7	TD90
TG100L, TG100N	251 ~ 305	9 7/8 ~ 12	SD10
TG120L, TG120N	300 ~ 445	11 4/5 ~ 17 1/2	SD12
TG125	311 ~ 460	12 1/4 ~ 18 1/9	NI25
TG320N, TG320S	355 ~ 525	14 ~ 20 2/3	TG320
TG370N, TG370S	445 ~ 575	17 1/2 ~ 22 2/3	TG370
TG450N, TG450S	460 ~ 660	18 1/9 ~ 26	TG450
TG550C, TG550S	610 ~ 850	24 ~ 33 1/2	TG550
TG640C	710 ~ 975	28 ~ 38 2/5	TG640
TG800	900 ~ 1250	35 3/7 ~ 49 1/5	TG800
TG900	1020 ~ 1450	40 1/6 ~ 57	TG900

* Other size of DTH Bit is available upon customer's request.



HOLE OPENERS

TOP DRILL HOLE OPENERS are designed for reaming of predrilled pilot holes. Specially designed Pilot & Reamer diameter and head shape meet variable drilling requirements.



RING BITS

RING BITS are welded to the end of casing. Heavy duty reusable ring bits (CIP, DRA) are used in the weak ground conditions.

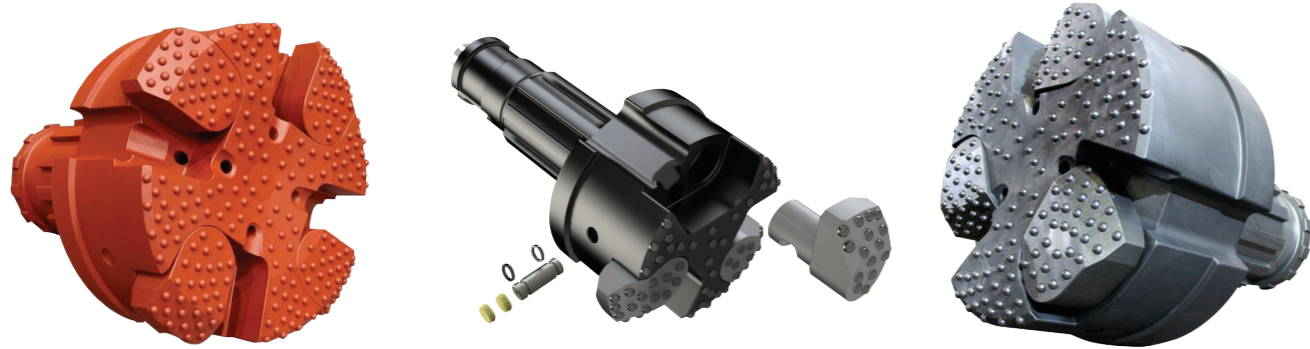


TOP DRILL OVERBURDEN DRILLING SYSTEMS

- TRB SYSTEMS
- TDS SYSTEMS
- TDN SYSTEMS
- TREX SYSTEMS
- TDEX SYSTEMS

TRB SYSTEMS

TRB overburden drilling systems are designed for economic cost of drilling in simultaneous casing advancement. The wings are retracted by reverse rotation.



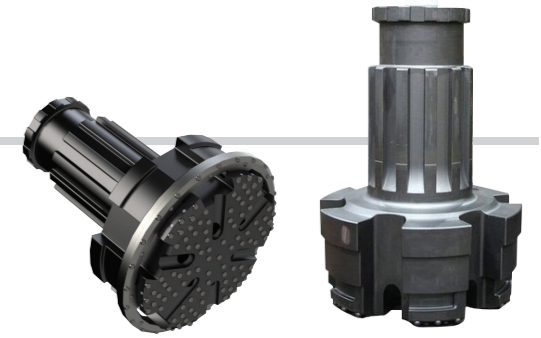
TRB SYSTEM SPECIFICATIONS

Model	Casing Size			Bit Diameter				No. of Wings	Applicable Hammer			
	OD	ID	T	OD	ID	T	Exp			Ret		
	MM			INCH								
TRB90	114.0	102.8	5.6	4.488	4.047	0.220	126	90	4.96	3.54	2	TG35
TRB115	141.3	128.1	6.6	5.563	5.043	0.260	157	113	6.18	4.45	2	TG40
TRB130	152.0	132.0	10.0	5.984	5.197	0.394	164	115	6.46	4.53	2	TG40
TRB140	168.3	146.4	10.9	6.626	5.764	0.429	176	132	6.93	5.20	2	TG50
TRB150	177.8	167.0	5.4	7.000	6.575	0.213	188	150	7.40	5.91	2	TG50/TG60
TRB165	193.7	171.8	10.9	7.626	6.764	0.429	207	148	8.15	5.83	2	TG60
TRB190	219.1	193.0	13.0	8.626	7.598	0.512	231	174	9.09	6.85	2, 3	TG60/TG80
TRB215	244.0	231.4	6.3	9.606	9.110	0.248	260	213	10.24	8.39	2, 3	TG80
TRB240	285.0	265.0	10.0	11.220	10.433	0.394	299	241	11.77	9.49	2, 3	TG80/TG100
TRB250	301.6	272.2	14.7	11.874	10.717	0.579	312	253	12.28	9.96	3	TG80
TRB280	335.9	315.9	10.0	13.224	12.437	0.394	350	292	13.78	11.50	3	TG100
TRB315	356.0	331.0	12.5	14.016	13.031	0.492	372	305	14.65	12.01	3	TG100/TG120
TRB340	377.0	357.0	10.0	14.843	14.055	0.394	391	331	15.39	13.03	3	TG120/TG125
TRB365	406.0	374.0	16.0	15.984	14.724	0.630	422	350	16.61	13.78	3	TG120/TG125
TRB410	457.2	425.2	16.0	18.000	16.740	0.630	477	399	18.78	15.71	3	TG320
TRB460	508.0	476.0	16.0	20.000	18.740	0.630	526	452	20.71	17.80	3	TG370
TRB510	558.8	539.8	9.5	22.000	21.252	0.374	578	510	22.76	20.08	3	TG450
TRB560	609.6	584.2	12.7	24.000	23.000	0.500	630	554	24.80	21.81	3	TG450
TRB610	660.4	635.0	12.7	26.000	25.000	0.500	682	605	26.85	23.82	3	TG550
TRB660	711.2	685.8	12.7	28.000	27.000	0.500	733	644	28.86	25.35	3	TG550
TRB710	762.0	742.0	10.0	30.000	29.213	0.394	782	708	30.79	27.87	3	TG550
TRB760	813.0	775.0	19.0	32.008	30.512	0.748	835	742	32.87	29.21	3, 4	TG550
TRB810	863.0	819.0	22.0	33.976	32.244	0.866	874	781	34.41	30.75	3, 4	TG640
TRB860	914.4	882.4	16.0	36.000	34.740	0.630	936	835	36.85	32.87	4	TG640
TRB960	1016.0	986.0	15.0	40.000	38.819	0.591	1054	950	41.50	37.40	5	TG800
TRB1010	1067.0	1022.4	22.3	42.008	40.252	0.878	1097	976	43.19	38.44	5	TG800
TRB1160	1219.2	1168.4	25.4	48.000	46.000	1.000	1251	1125	49.26	44.29	6	TG800

* Other size of TRB system is available upon customer's request.

TDS SYSTEMS

TDS overburden drilling systems are designed to use ring bit which is not connected to casing shoe. Special profile DTH Bit passes through enough large inner diameter of ring bit.



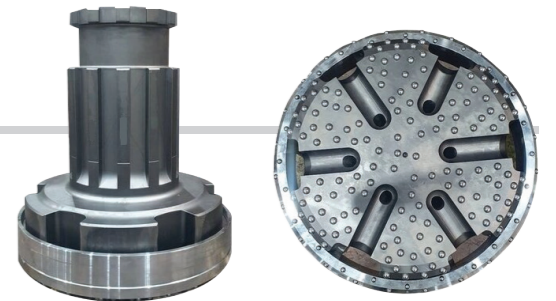
TDS SYSTEM SPECIFICATIONS

Model	Casing Size			Ring bit Diameter			Applicable Hammer
	OD	ID	T	OD	ID	T	
	MM			INCH			
TDS90	114.3	101.6	6.4	4.500	4.000	0.250	TG35
TDS115	141.3	128.1	6.6	5.563	5.043	0.260	TG40
TDS140	168.0	156.0	6.0	6.614	6.142	0.236	TG50
TDS165	193.7	181.0	6.4	7.626	7.126	0.252	TG60
TDS190	219.0	199.0	10.0	8.622	7.835	0.394	TG60
TDS215	244.5	214.2	15.2	9.626	8.433	0.598	TG80
TDS240	273.0	253.0	10.0	10.748	9.961	0.394	TG80
TDS280	320.0	295.0	12.5	12.598	11.614	0.492	TG100
TDS315	356.0	322.0	17.0	14.016	12.677	0.669	TG120
TDS365	406.0	374.0	16.0	15.984	14.724	0.630	TG125
TDS410	457.0	437.0	10.0	17.992	17.205	0.394	TG320
TDS460	508.0	492.0	8.0	20.000	19.370	0.315	TG370
TDS560	609.6	584.2	12.7	24.000	23.000	0.500	TG450
TDS610	660.4	635.0	12.7	26.000	25.000	0.500	TG550
TDS660	711.2	685.8	12.7	28.000	27.000	0.500	TG550
TDS710	762.0	736.6	12.7	30.000	29.000	0.500	TG550
TDS760	813.0	788.0	12.5	32.008	31.024	0.492	TG550
TDS810	842.0	810.0	16.0	33.150	31.890	0.630	TG550
TDS860	914.4	889.0	12.7	36.000	35.000	0.500	TG640
TDS960	1016.0	970.0	23.0	40.000	38.189	0.906	TG800
TDS1010	1067.0	1016.0	25.5	42.008	40.000	1.004	TG800
TDS1160	1220.0	1169.2	25.4	48.031	46.031	1.000	TG800

* Other size of TDS system is available upon customer's request.

TDN SYSTEMS

TDN overburden drilling systems are designed to use ring bit which is integrated to casing shoe. This ring bit set is retrieved for multi use.



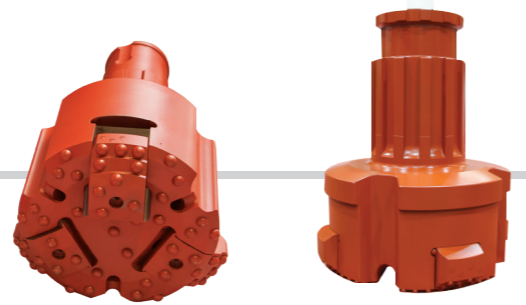
TDN SYSTEM SPECIFICATIONS

Model (shoulder type)	Casing Size			Ring bit Diameter			Applicable Hammer
	OD	ID	T	OD	ID	T	
	MM			INCH			
TDN190	219.0	209.0	5.0	8.622	8.228	0.197	TG60
TDN215	244.6	220.6	12.0	9.630	8.685	0.472	TG80
TDN560	609.6	584.2	12.7	24.000	23.000	0.500	TG450
TDN630	683.0	658.0	12.5	26.890	25.906	0.492	TG550
TDN760	813.0	763.0	25.0	32.008	30.039	0.984	TG550
TDN1160	1219.2	1168.4	25.4	48.000	46.000	1.000	TG800

* Other size of TDN system is available upon customer's request.

TREX SYSTEMS

TREX overburden drilling systems are designed for wings to be retracted when bit is pulled up.



TREX SYSTEM SPECIFICATIONS

Model	Casing Size			Bit Diameter				No. of Wings	Applicable Hammer			
	OD	ID	T	OD	ID	T	Exp			Ret	Exp	Ret
	MM			INCH			MM	INCH				
TREX90	114.3	101.6	6.4	4.500	4.000	0.252	127	90	5.00	3.54	2	TG35
TREX115	139.8	125.0	7.4	5.504	4.921	0.291	154	113	6.06	4.45	2	TG40
TREX130	152.4	132.4	10.0	6.000	5.213	0.394	164	122	6.47	4.80	2	TG40
TREX140	168.0	156.0	6.0	6.614	6.142	0.236	184	140	7.24	5.51	2	TG50
TREX150	177.8	167.0	5.4	7.000	6.575	0.213	197	153	7.76	6.02	2	TG50/TG60
TREX165	193.7	179.7	7.0	7.626	7.075	0.276	212	165	8.35	6.50	2	TG60
TREX190	219.0	203.0	8.0	8.622	7.992	0.315	238	187	9.37	7.36	2, 3	TG60/TG80
TREX215	245.0	226.0	9.5	9.646	8.898	0.374	264	213	10.39	8.39	3	TG80
TREX240	273.0	254.0	9.5	10.748	10.000	0.374	290	240	11.42	9.45	3	TG80
TREX250	299.0	279.0	10.0	11.772	10.984	0.394	316	255	12.44	10.04	3	TG80/TG100
TREX280	324.0	299.0	12.5	12.756	11.772	0.492	340	276	13.39	10.87	3	TG100
TREX315	355.6	336.6	9.5	14.000	13.252	0.374	373	315	14.69	12.40	3	TG100/TG120
TREX365	406.0	374.0	16.0	15.984	14.724	0.630	420	351	16.54	13.82	3	TG120/TG125
TREX410	457.2	435.0	11.1	18.000	17.126	0.437	478	412	18.82	16.22	3	TG320
TREX460	508.0	482.6	12.7	20.000	19.000	0.500	530	455	20.87	17.91	4	TG370
TREX510	558.8	533.4	12.7	22.000	21.000	0.500	578	499	22.76	19.65	4	TG450
TREX560	609.6	584.2	12.7	24.000	23.000	0.500	632	556	24.88	21.89	4	TG450
TREX610	660.4	635.0	12.7	26.000	25.000	0.500	682	605	26.85	23.82	4	TG550
TREX660	711.2	685.8	12.7	28.000	27.000	0.500	733	656	28.86	25.83	4	TG550
TREX710	762.0	736.6	12.7	30.000	29.000	0.500	784	704	30.87	27.72	4	TG550
TREX760	813.0	773.0	20.0	32.008	30.433	0.787	833	738	32.80	29.06	4	TG550
TREX810	863.6	838.2	12.7	34.000	33.000	0.500	886	809	34.88	31.85	4	TG640
TREX860	914.4	889.0	12.7	36.000	35.000	0.500	938	831	36.93	32.72	4	TG640
TREX960	1020.0	996.0	12.0	40.157	39.213	0.472	1046	955	41.18	37.60	4	TG800
TREX1010	1067.0	1029.0	19.0	42.008	40.512	0.748	1097	983	43.19	38.70	5	TG800
TREX1160	1219.0	1183.0	18.0	47.992	46.575	0.709	1249	1145	49.17	45.08	5	TG800
TREX1360	1422.0	1358.0	32.0	55.984	53.465	1.260	1452	1308	57.17	51.50	5	TG900

* Other size of TREX system is available upon customer's request.

TDEX SYSTEMS

TDEX overburden drilling systems are designed for small size piling from 114mm to 406mm.

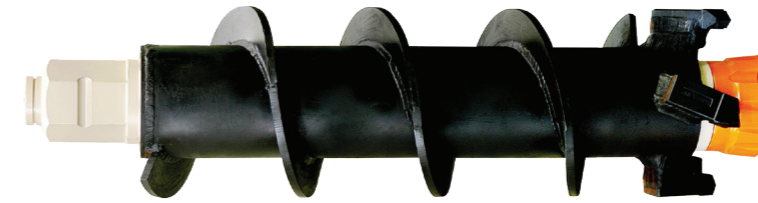


TDEX SYSTEM SPECIFICATIONS

Model	Casing Size			Bit Diameter				Applicable Hammer			
	OD	ID	T	OD	ID	T	Exp		Ret	Exp	Ret
	MM			INCH			MM	INCH			
TDEX90	114.3	101.6	6.4	4.500	4.000	0.250	122	90	4.80	3.54	TG35
TDEX115	141.3	128.1	6.6	5.563	5.043	0.260	151	116	5.94	4.57	TG40
TDEX140	168.3	155.6	6.4	6.626	6.126	0.252	186	140	7.32	5.51	TG50
TDEX165	193.7	179.7	7.0	7.626	7.075	0.276	212	166	8.35	6.54	TG60
TDEX180	219.0	194.0	12.5	8.622	7.638	0.492	232	180	9.13	7.09	TG60
TDEX190	219.0	205.0	7.0	8.622	8.071	0.276	237	192	9.33	7.56	TG60, TG80
TDEX215	244.0	222.0	11.0	9.606	8.740	0.433	256	202	10.08	7.95	TG80
TDEX240	273.0	260.2	6.4	10.748	10.244	0.252	292	240	11.50	9.45	TG80
TDEX280	324.0	305.0	9.5	12.756	12.008	0.374	343	283	13.50	11.14	TG100
TDEX315	355.6	336.6	9.5	14.000	13.252	0.374	375	315	14.76	12.40	TG100/TG120
TDEX365	406.0	387.0	9.5	15.984	15.236	0.374	425	358	16.73	14.09	TG120/TG125

* Other size of TDEX system is available upon customer's request.

TOPDRILL OTHER PRODUCTS



SCREW HAMMERS

Model	Hole diameter		Combined	
	MM	INCH	Hammer	Bit (MM)
TDSH 300	300	11.81	TGR60	200
TDSH 400	400	15.75	TGR80	254
TDSH 450	450	17.72	TG100L	270
TDSH 600	600	23.62	TG120L	385

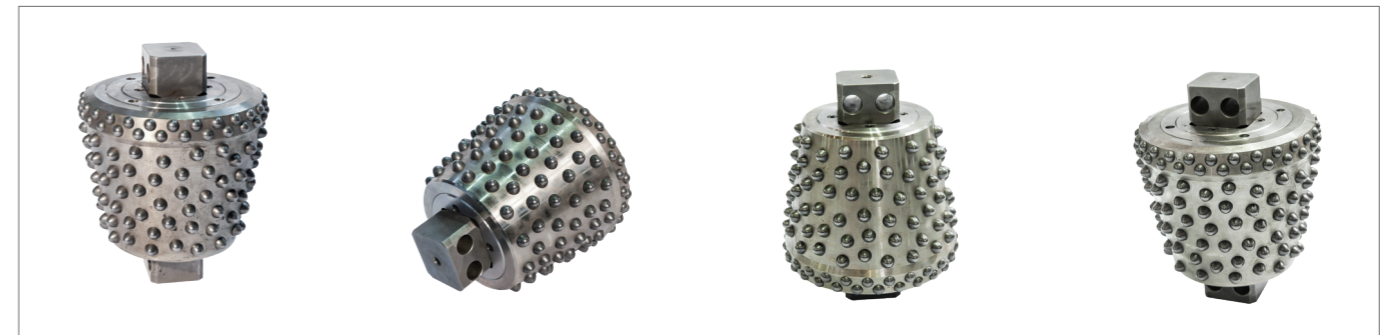
* Other size of Screw Hammer is available upon customer's request.



ACE HAMMERS

Model	Connection	Bit shank	Recommended bit diameter	Outside diameter	Length	Weight
ACE10	40mm DIN405 6 TPI Box	ACE10	55 ~ 66	47	772.0	7.0
ACE20L	JIS50 Box	DHD065	66 ~ 76	58	781.5	11.0
ACE20	50mm DIN405 6 TPI Box, Pin	MACH20	70 ~ 80	62	797.0	12.5
ACE30	API 2 3/8 Reg. Pin	DHD3.5	87 ~ 105	79	839.0	24.0

RCD ROLLER CUTTER



TOPDRILL OTHER PRODUCTS

SHOCK ABSORBERS

Model	Applicable hammer	Diameter (mm)	Product
TDSA3,5	TG35	85	
TDSA4	TG40	98	
TDSA5	TG50	112	
TDSA6	TG60	137	
TDSA8	TG80	162	
TDSA10	TG100	212	
TDSA12L	TG120L, TG125	264	
TDSA14	TG320	315	
TDSA15	TG370, TG450	352	
TDSA18	TG450, TG550	402	
TDSA24	TG550, TG640	455	
TDSA28	TG640, TG800	505	
TDSA36	TG800, TG900	605	

BREAKOUT BENCH

Model	Standard range	Product
SB80	TG80	
SB100	TG40 ~ TG100	
SB120	TG60 ~ TG125	
SB450	TG120 ~ TG450	
SB550	TG120 ~ TG550	
SB800	TG120 ~ TG800	
SB900	TG120 ~ TG900	

AIR SWIVELS



Top	Bottom	OD (mm)	Length (mm)	Weight (kg)	Weight (lb)
API 4 1/2" Reg. female	API 4 1/2" Reg. male	278	542	151	333
Hex T4 male	Hex T4 female	405	700	414	913
130x130 square female	240H female	465	929	590	1301
(RC) API 4 1/2" Reg. male	HEX 145 female	320	555	185	408

* Other size of Air Swivel (RC) is available upon customer's request.

DRILL PIPES



ADAPTERS



BAYONET ADAPTERS



HAMMER SHROUDS



AIR MANIFOLDS



OILERS

