



# HYDRAULIC BREAKER

## VARIOUS TYPES OF EXCAVATOR ATTACHMENTS



**Xiao mei Liu**  
(General Manager)

☎ +86 15725359733  
☎ +86 15725359733  
✉ xiaomeichongpo@gmail.com

**Qingwei Sun**  
(Technical Director)

☎ +86 18615933116  
☎ +86 19508652263  
✉ qingweichongpo@gmail.com

**Anny**  
(Sales Manager)

☎ +86 19508652267  
☎ +86 19508652267  
✉ annyichongpo@gmail.com

**Jessica**  
(General Manager)

☎ +86 18754571068  
☎ +86 18754571068  
✉ lxue3489@gmail.com

<https://www.chongpomach.com>  
ADD: No.26 Yunlongshan Road, Fushan District, Yantai,  
Shandong, China

## YANTAI CHONG PO CONSTRUCTION MACHINERY CO.,LTD.

# COMPANY PROFILE

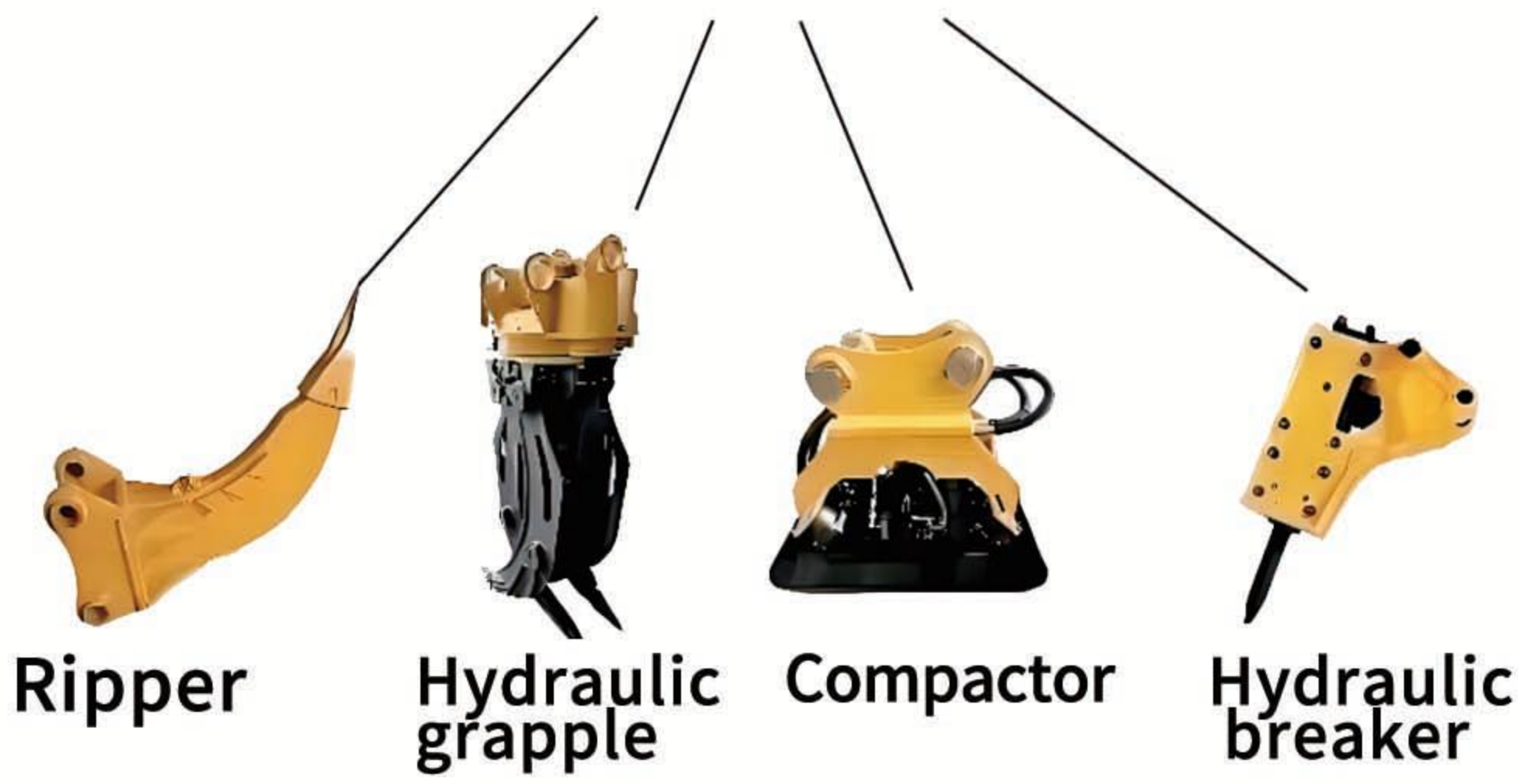
Yantai Chongpo Construction Machinery Co.,Ltd.is a modern construction machinery manufacturing company, founded in 2006, and has been more than ten years of development, which is a modern construction machinery manufacturing company.The company is located in a beautiful coastal city – named Yantai, Shandong Province, with superior geographical location and convenient transportation. Our company mainly produces all kinds of crushing hammer and excavator front end accessories, such as quick connector, wood grabber, vibration tamper and hydraulic scissors, engaging in hydraulic crushing hammer and excavator front end accessories R & D, production and sales. The products in engineering construction, especially concrete demolition and mining operations have many obvious advantages , which can be applied to a variety of geographical environments to work in different operating conditions. The productions in our company can be used in a wide range of application dimensions and complete supporting facilities. Our company is also a high-quality supporting supplier of excavator manufacturers.

Our company has perfect production technology, fantastic sets of production and processing equipment, with professional and mature engineering and technical personnel and sales personnel, and truly realize the production, sales and service in one, owning complete supply chain and packaging construction.The company's main equipment includes imported machining center, CNC machine tools, spectrum analyzer,metallographic microscope, hardness testing machine, cylindrical grinding, hydraulic test bench, etc., which are complete and advanced. And the company's major customers includes Sany, Xugong, Kubota. Apart from that, our company always regards the quality of production as the life of the enterprise, adhering to the "people-oriented, science and technology first, quality as life" business philosophy, constantly creates value for customers, and encourages to build a well-known brand in the construction machinerymarket to achieve mutual benefit and win-win with customers.

In addition,our company with products of high precision, high stability and high durability characteristics, occupying a certain scale of the equipment market in China and other countries, which has had more and more customers trust and support. What's more, we continue to innovate and expand on the original business philosophy, and strive to be perfect, to provide customers with quality products and after-sales service, achieve mutual benefit and win-win with customers.



Hydraulic quick coupler



Ripper

Hydraulic grapple

Compactor

Hydraulic breaker



# COMPANY PROFILE

The company is close to the port of Qingdao, which means import and export goods transportation are convenient. Qingdao Port is located in the hub of foreign trade industry and has a superior geographical position. In addition, Qingdao Port is one of the world's largest comprehensive ports, opening more than 160 international container routes for import and export trade, which is very convenient; apart from that, Qingdao Airport is the world's leading airport, opening international cargo flight services to all parts of the world, greatly facilitating import and export trade. Therefore, adjacent to the hub of foreign trade, we have created excellent international supply chain services to ensure that our products are delivered to all corners of the world and every customer on time, ensuring customers to receive the most satisfactory products in the shortest time.

Our company has established and improved a standardized system for safety production,administrative management systems and a complete technical management system.With the high precision, stability, and durability of these products,our company has gained the trust and support of more and more customers. Yantai Chongpo Construction Machinery is willing to invite you to join us and create a better future with you.





## OTHER ATTACHMENT

### PILE DRIVER

#### PRODUCT FEATURE

1. Special steel material with high ductility and high resistance .
2. Driven by motor , utilizing a kind of exciting force produced by reciprocating motion of centrifugal force up and down .
3. Original imported motor , more durable , high swinging speed and frequency .
4. All bearings are originally imported with longer life service .
5. The shafts of all key part use the same material as module .
6. Flexible single chuck , double chuck styles can be designed .

Model	Unit	HZ-150	HZ-200	HZ-250	HZ-300	HZ-400
Frequency	rpm	2600	2800	2800	2800	2800
Eccentric torque	nm	28	40	48	50	70
Vibration force	ton	24	38	44	46	65
Host weight	kg	1300	2200	2350	2500	2800
Ice arm weight	kg	400	500	500	600	650
Pressure	bar	220	280	280	280	300
Oil flow	lpm	150	160	160	180	210
Max pile length	m	6	12	15	15	18
Excavator	ton	15-18	20-30	20-36	30-35	36-50



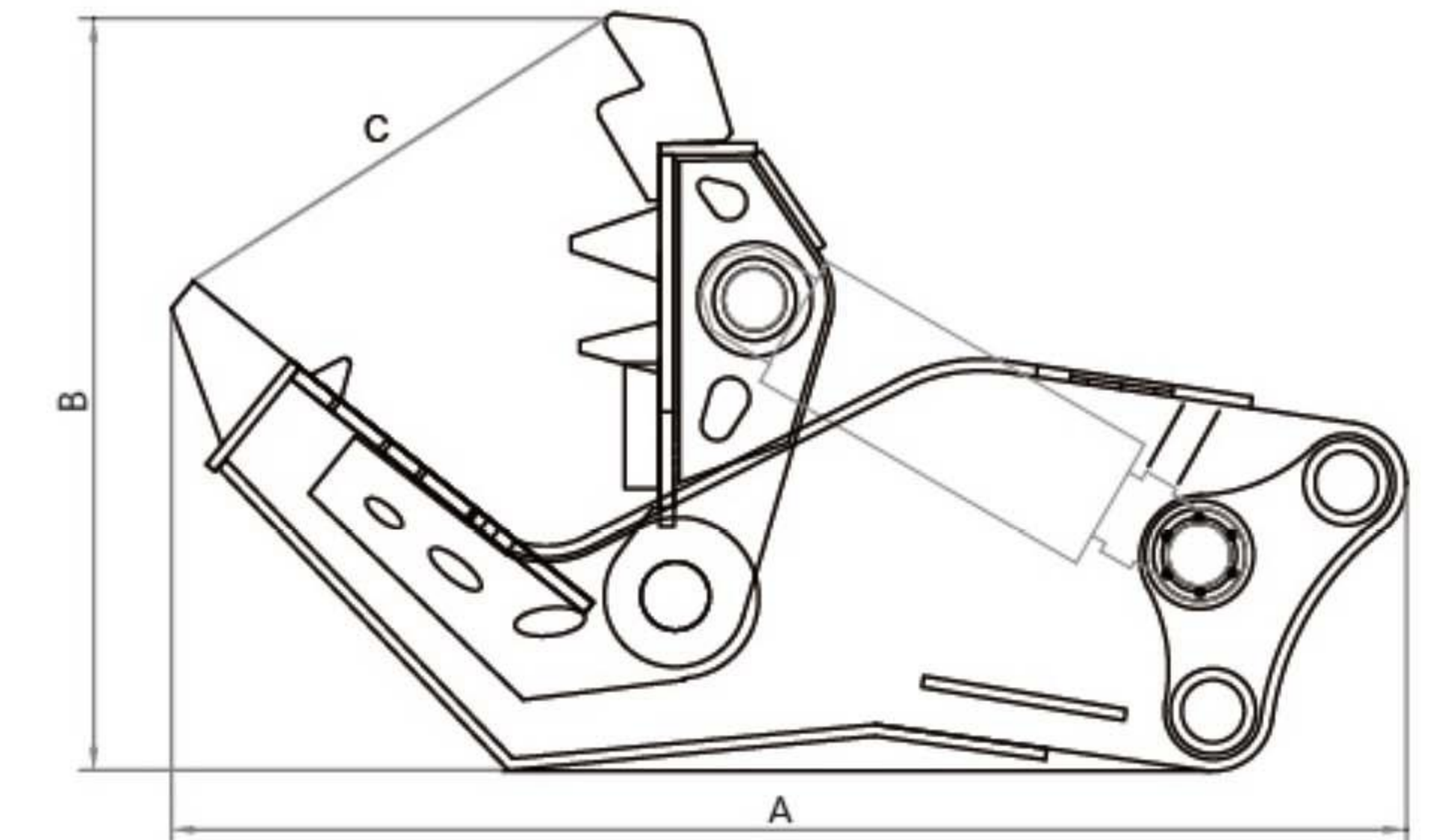
## HYDRAULIC CRUSHING PLIERS

#### PRODUCT FEATURE

1. Special steel material with high ductility and high resistance .
2. Installed with hydraulic valve . More power of cylinder . More efficient utilizes hydraulic oil .
3. Large design hydraulic cylinder . More powerful pulverized shear .
4. Design with structure of jaw type pulverizer with large operating area and high efficiency .
5. Wide opening design , easy working and convenient .
6. Indispensable good equipment for cement and steel bar recycle after pulverizing .
7. Rotation type and fixed type for customers to choose depending on their own requirements.



Model	unit	HZ02	HZ04	HZ06	HZ08	HZ10
weight	kg	330	550	900	1596	2850
A	mm	1242	1473	2333	2110	2437
C	mm	425	550	670	904	1122
Crushing force	ton	27	45	60	180	205
Pressure	kg/cm <sup>2</sup>	210	230	260	300	320
Excavator weight	ton	2-4	4-9	10-17	18-25	26-38



## HYDRAULIC GRAPPLE

#### MAIN FEATURES

1. wide opening width with light weight.
2. Unlimited clockwise 360 degree rotatable.
3. Rotating speed can be controlled
4. Flexible choices depend on job environment.

#### APPLICATIONS

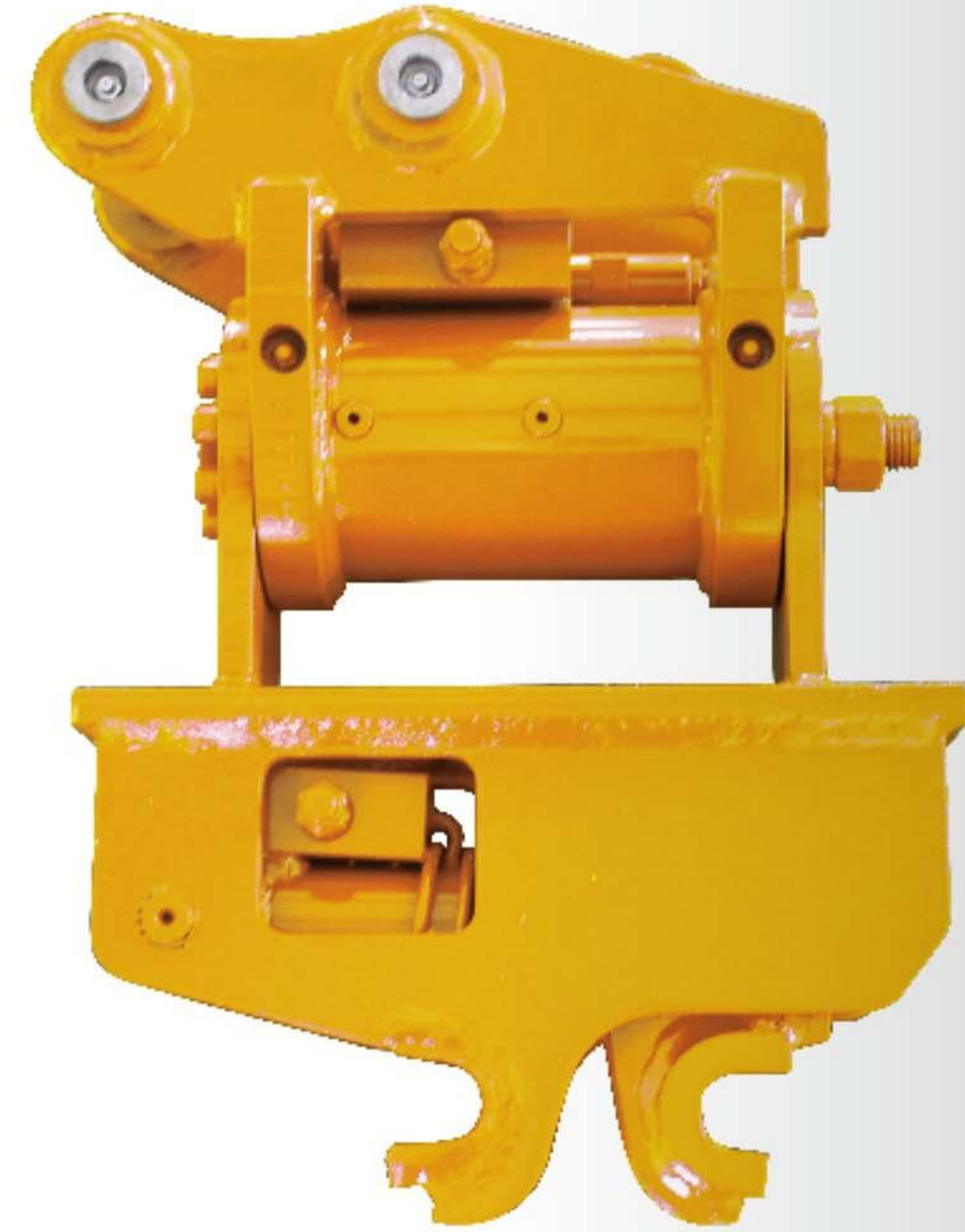
Apply to grab wood,stone,gravels,waster metals,industry waste,construction garbage and daily rubbish.

Category	Unit	HZ-02	HZ-04	HZ-06	HZ-08	HZ-10
Weight	kg	320	390	740	1380	1700
Opening size	mm	1100	1400	1600	2000	2300
Operating pressure	kg/cm <sup>2</sup>	110-140	120-160	150-170	160-180	160-180
Pressure set up	kg/cm <sup>2</sup>	170	180	190	200	210
Operating flux	l/min	30-55	50-100	90-110	100-140	130-170
Cylinder volume	l	4.0*2	4.5*2	8.0*2	9.7*2	12*2
Suitable Excavator	ton	4-6	7-11	12-16	17-23	24-30



## EXCAVATOR QUICK COUPLER

DEHN quick coupler can be used on excavator to change attachments easily and quickly, within only 1 minute installation, improving working efficiency sharply.



Model	Unit	DEHN MINI	DEHN 02	DEHN 04	DEHN 06	DEHN 08	DEHN10	DEHN17
Pin Diameter	Mm	25-40	45-50	50-55	60-70	70-80	80-90	90-120
Weight	Kg	25-30	50-60	80-90	120-130	280-290	450-530	450-580
Working Pressure	Kg/cm <sup>2</sup>	40-380	40-380	40-380	40-380	40-380	40-380	40-380
Required Oil Flow	L/min	10-20	10-20	10-20	10-20	10-20	10-20	10-20
Suitable Excavator	Ton	1-2	2-4	5-8	9-17	17-23	23-35	33-45



## EARTH DRILL

### MAIN FEATURES

1. Fast drilling speed
2. Long service life
3. Efficient performance
4. Special designed steel body
5. Mature segment bond and high welding strength

### APPLICATIONS

- Fence
- Landscaping
- Tree planting
- Well drilling
- Screw pile installation



Model	Unit	HZ-1000	HZ-1500	HZ-2000	HZ-2500	HZ-3000	HZ-3500	HZ-4500	HZ-5000
Adaptive weight	ton	0.8-1.5	1.2-2.5	1.5-3.0	2.5-4.0	3.0-4.5	2.5-4.5	3.0-5.0	4.5-6.0
Maximum torque	n.m	1120	1570	2130	2870	3180	3650	4720	4920
Operation pressure	bar	40-180	40-200	50-210	80-240	80-240	80-240	80-240	80-240
Operation flow	l/min	20-100	20-100	20-100	30-120	30-150	30-150	40-150	50-150
Rotating speed	rpm	76	75	72	65	65	62	55	52
Hose size	inch	G1/2	G1/2	G1/2	G1/2	G1/2	G1/2	G1/2	G1/2
Output shaft	mm	35(F)	35(F)	35(F)/51(F)/65(Y)	65(Y)/51(F)	65(Y)/51(F)	65(Y)/51(F)	65(Y)/51(F)	65(Y)/51(F)
Unit weight	kg	38	39	42	72	74	76	95	97
Unit diameter	mm	190	190	190	230	232	232	250	250
Drill rod model	mm				S4	S4	S4	S4	S4
Drill pipe length	mm	800-1500	800-1500	1200-1500	1200-1500	1200-1500	1200-1500	1200-1500	1200-1500
Drill diameter range	mm	50-250	50-300	100-300	100-500	100-500	100-600	100-600	100-650

Model	Unit	HZ-6000	HZ-7000	HZ-8000	HZ-10000	HZ-12000	HZ-15000	HZ-20000	HZ-25000
Adaptive weight	ton	4.5-6.0	7.0-10.0	8.0-10.0	8.0-12.0	13.0-17.0	10.0-15.0	15.0-20.0	20.0-25.0
Maximum torque	n.m	6150	7300	8420	9760	12300	16700	19200	24920
Operation pressure	bar	80-240	80-240	80-240	80-240	80-240	80-260	80-260	80-260
Operation flow	l/min	50-160	50-160	60-180	60-200	70-180	80-220	80-250	80-250
Rotating speed	rpm	50	50	45	40	38	38	35	35
Hose size	inch	G1/2	G1/2	G3/4	G3/4	G1	G1	G1	G1
Output shaft	mm	75(F)	75(F)	75(F)	75(F)	75(F)	75(F)	75(F)	75(F)
Unit weight	kg	134	151	160	168	172	240	271	320
Unit diameter	mm	272	272	295	295	320	350	350	350
Drill rod model	mm	S5	S5	S5	S5	S5	S5	S5	S5
Drill pipe length	mm	1200-2000	1200-2000	1200-2000	1200-2000	1200-2000	1200-2000	1200-2000	1200-2000
Drill diameter range	mm	100-800	100-800	200-1000	200-1000	200-1000	200-1000	300-1200	300-1200



### SINGLE CYLINDER HYDRAULIC SHEAR

Description	Unit	HZ-10	HZ-17	HZ-30	HZ-50	HZ-50M
Weight	kg	130	205	360	510	530
Max opening	mm	287	355	438	514	514
Length	mm	948	1112	1311	1475	1505
Width	mm	519	642	767	894	894
Crushing force	ton	20	22.5	35	47	47
Pressure	kg/cm <sup>2</sup>	180	210	210	230	230
Rotation type		360° mechanical rotation				hydraulic rotating
Excavator weight	ton	0.8-2	1.7-3.5	3-8	5-9	5-9



### DOUBLE CYLINDER HYDRAULIC SHEAR

Description	Unit	HZ-32	HZ-52	HZ-52M	HZ-102M
Weight	kg	320	530	560	1050
Max opening	mm	436	529	529	786
Length	mm	1270	1430	1430	1859
Width	mm	701	870	870	1284
Crushing force	ton	30	50	50	90
Pressure	kg/cm <sup>2</sup>	210	230	230	270
Rotation type		360° mechanical rotation		hydraulic rotating	
Excavator weight	ton	3-8	5-9	5-9	10-15

## HYDRAULIC PLIERS

1. High efficiency: Compared with the breaking hammer, the efficiency is increased by 2-4 times;
2. Wide range of uses: It can quickly realize the rapid separation of concrete and steel bars, and greatly improve work efficiency by bending and loading onto the vehicle. Equipped with a steel bar cutter, it can simultaneously perform two operations of concrete crushing and steel bar cutting;
3. High safety: realize fully mechanized operation, no need for personnel to participate in dangerous operations;
4. Low noise: crushing by extrusion greatly reduces noise and vibration, meets environmental protection requirements, and is an ideal tool for crushing urban buildings;
5. Convenient maintenance: The advanced oil circuit design not only improves the working efficiency of the oil cylinder but also facilitates disassembly and maintenance. The oil circuit can be used in common with the crusher to realize multiple purposes of one excavator;

## OIL PRESSURE GRAPPLE

### PRODUCT FEATURE

Special steel material with high ductility and high resistance .

Imported balance valve motor with buffering and braking kinetic energy .

The cylinder is equipped with non-return valve , more safety for grabbing.

High strength rotating support device , the operator can manipulates the swinging speed and its rotating direction for 360 degree clockwise and anticlockwise.

With soft tube in the high pressure cylinder , the soft tube is under protection .

The product can also be designed with no swinging rotation in accordance with customers' different requirements .

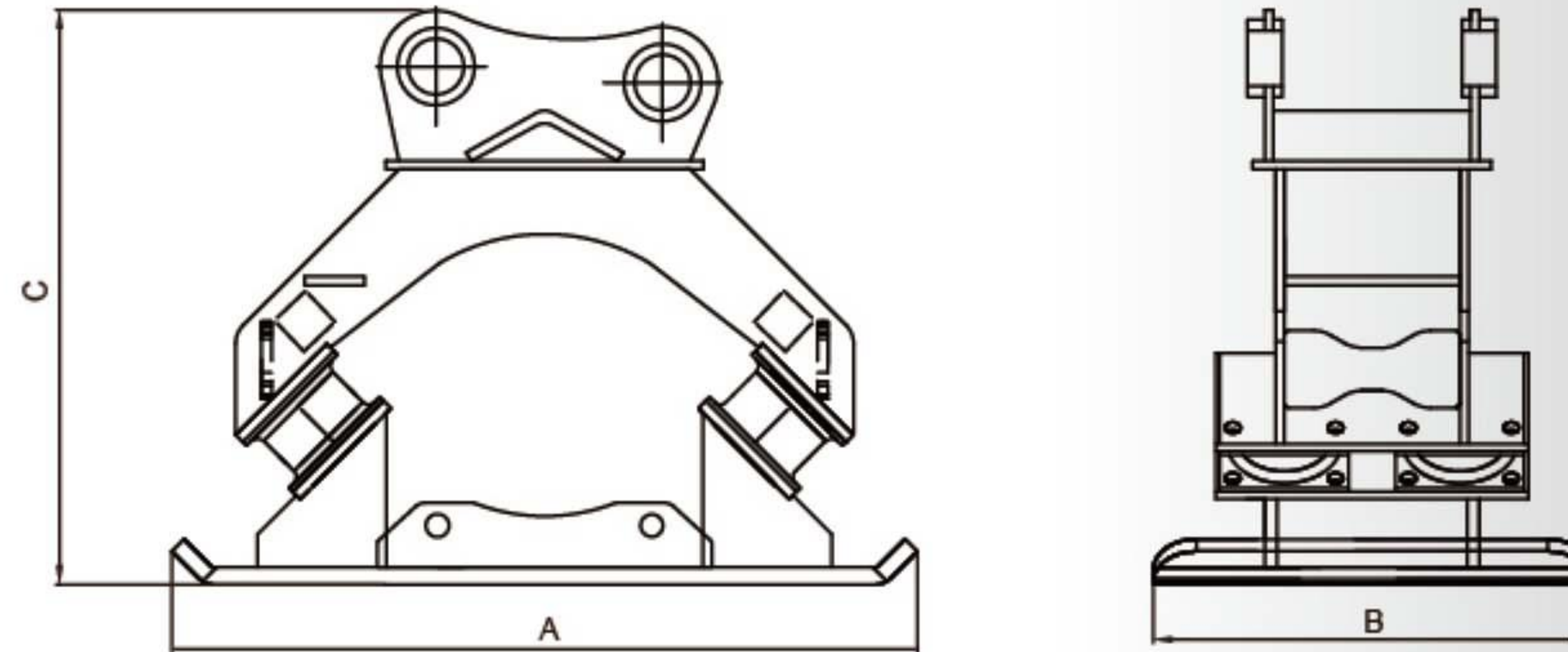
Widely used in sand plant , stone-crushing plant , dock , industries like renewable resources and coal recycle , auto decomposition and waste transfer .

It can be installed in excavator. One machine has multiple applications and higher efficiency.



Model	Unit	HZ-mini	HZ-02	HZ-04	HZ-06	HZ-08	HZ-10	HZ-12
Weight	kg	93	150	203	320	400	590	645
Pressure	kg/cm <sup>2</sup>	180	220	245	275	350	350	350
Max jaw opening	mm	700	900	1100	1300	1300	1500	1600
suitable for excavator (ton)	ton	1-1.8	2-2.5	3-4.0	5-6.0	7-7.5	8-12	13-14

## EXCAVATOR COMPACTOR



Model	unit	HZ02	HZ04	HZ06	HZ08	HZ10
A	mm	800	832	1150	1340	1590
B	mm	230	275	360	460	680
C	mm	415	474	642	732	915
Excavator weight	ton	1-3	4-8	10-16	18-25	26-30
weight	kg	60	80	220	410	750

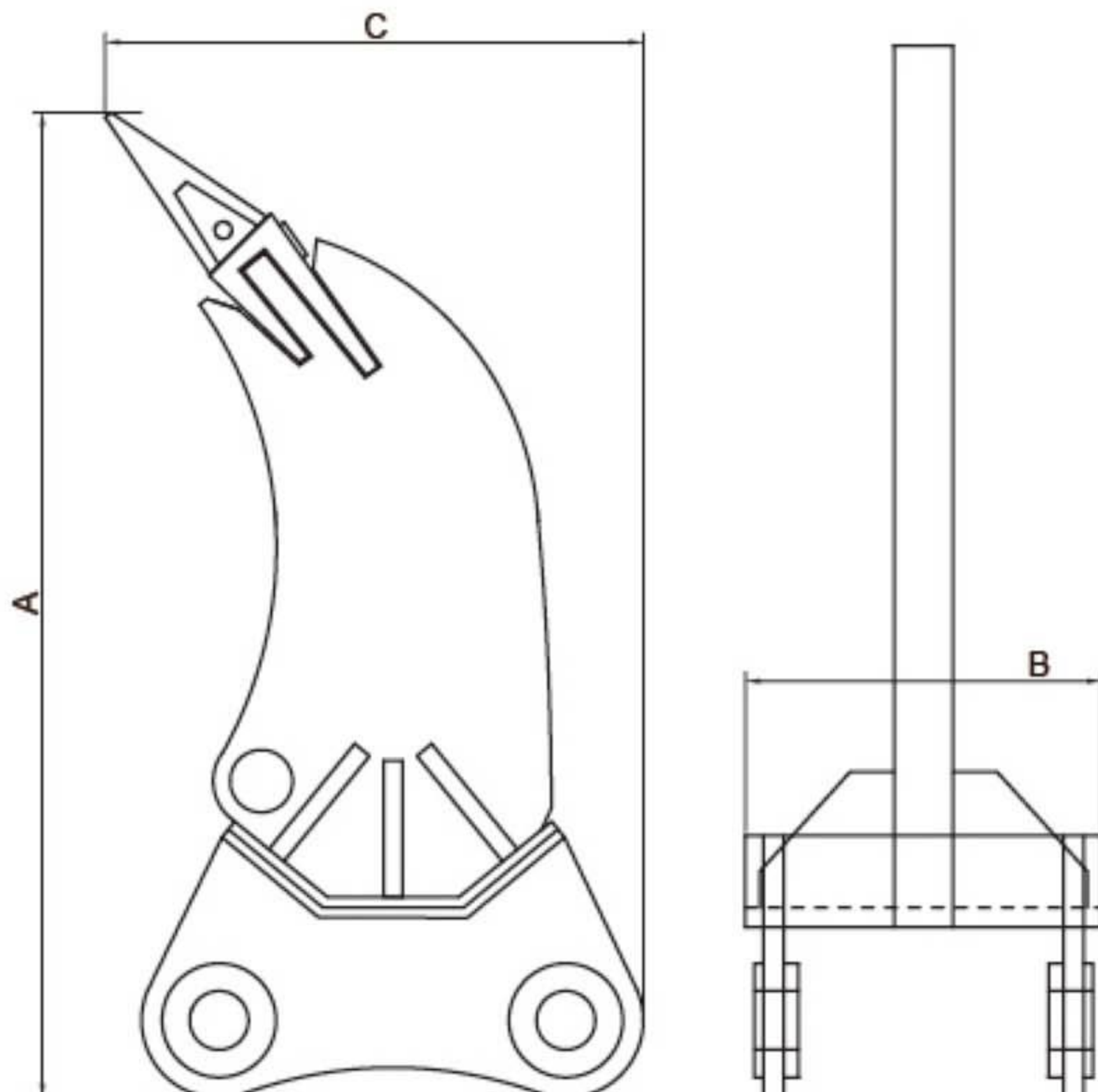
## EXCAVATOR RIPPER

### MAIN FEATURES

1. Made of high strength steel plate, easy to use and install .
2. Easy for digging and loading.
3. 1-3 teeth available, strong digging capacity.

### APPLICATIONS

Our Excavator ripper can easily rip frozen ground, hard earth, stone and land waste.



Model	unit	HZ02	HZ04	HZ06	HZ08	HZ10
A	mm	800	832	1150	1340	1590
B	mm	230	275	360	460	680
C	mm	415	474	642	732	915
Excavator weight	ton	1-3	4-8	10-16	18-25	26-30
weight	kg	60	80	220	410	750

## ELECTROMAGNETIC CHUCK

### PRODUCT FEATURE

Special steel material with high ductility and high resistance . Imported balance valve motor with buffering and braking kinetic energy .

The cylinder is equipped with non-return valve , more safety for grabbing.

High strength rotating support device , the operator can manipulates the swinging speed and its rotating direction for 360 degree clockwise and anticlockwise.

With soft tube in the high pressure cylinder , the soft tube is under protection .



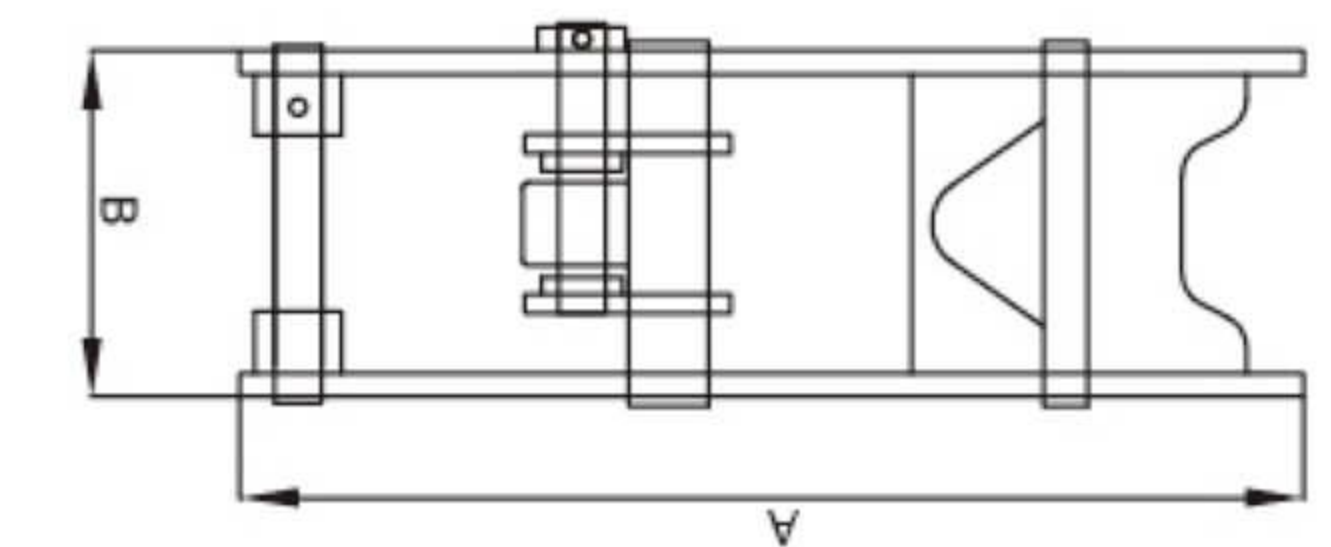
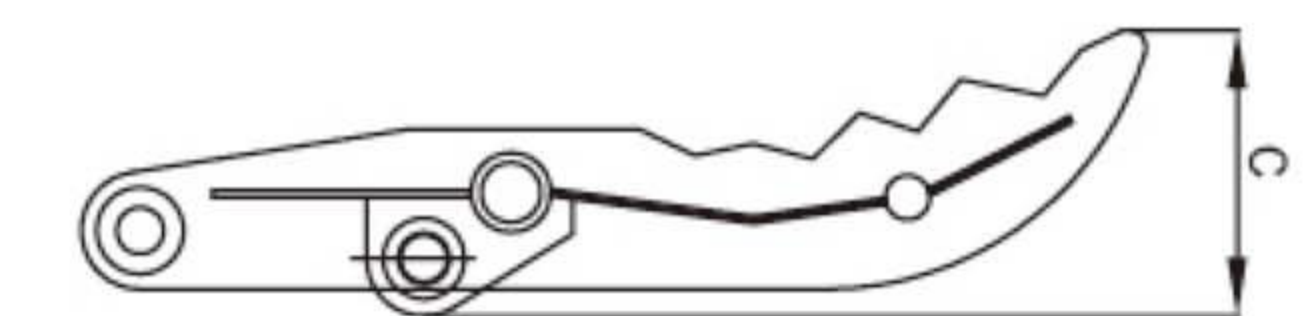
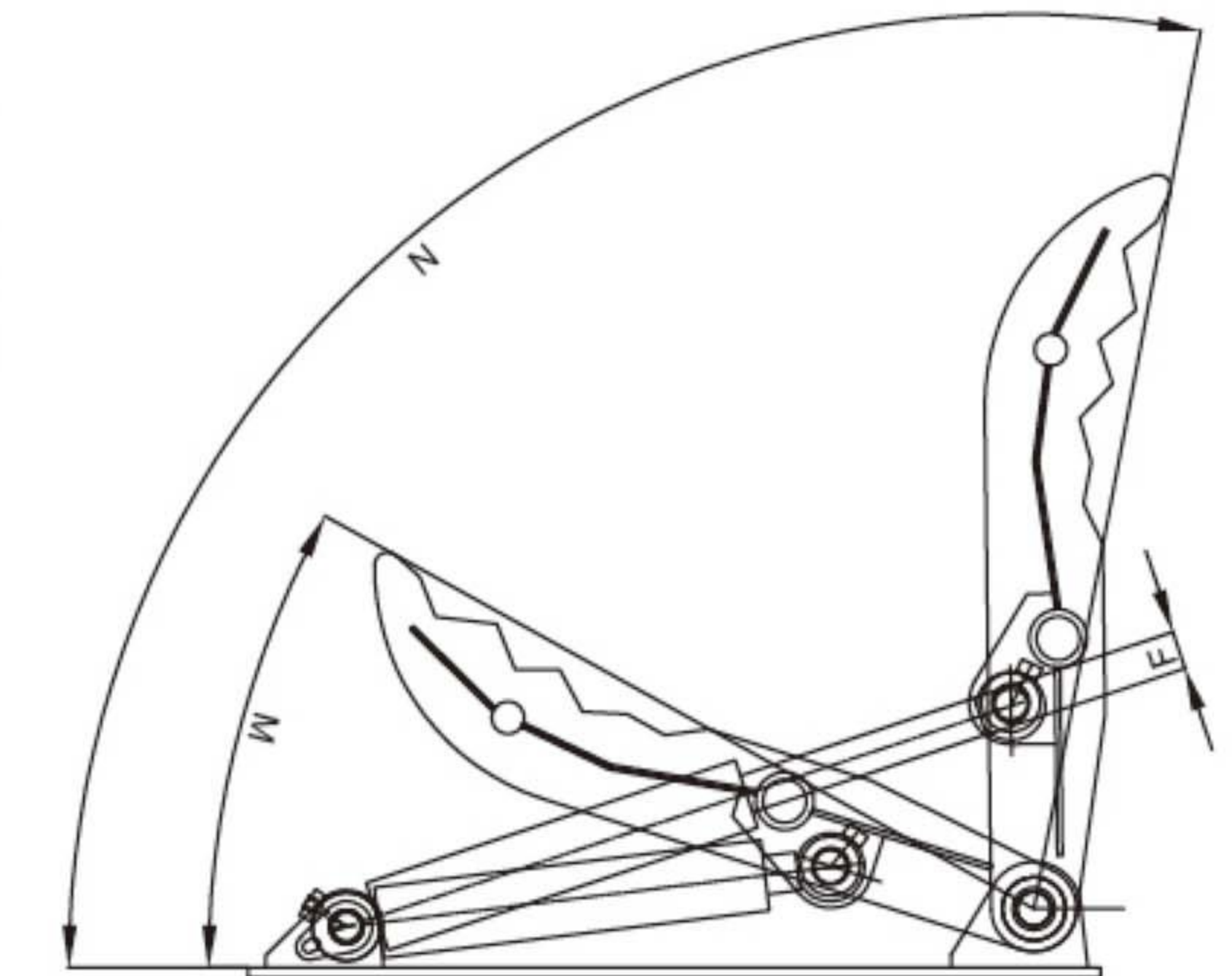
Model	Unit	HZ-02	HZ-04	HZ-08	HZ-10
Outer Diameter	mm	φ600	φ800	φ1000	φ1200
Weight	kg	350	600	800	1700
Suitable excavator	ton	3-5	6-9	10-20	20-30

## EXCAVATOR THUMB

### PRODUCT FEATURE

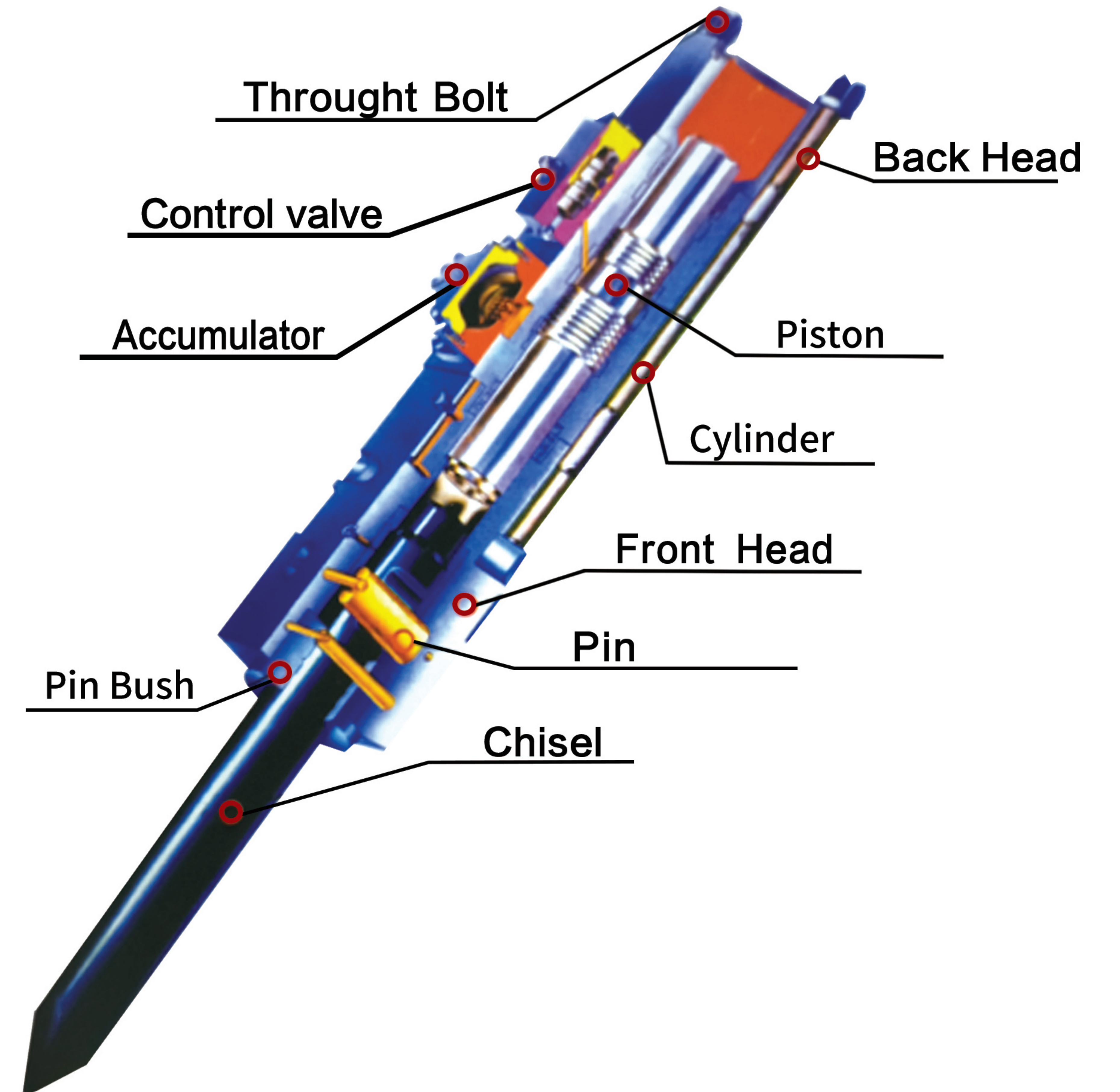
Excavator bucket thumb

DEHN Bucket Thumbs are the perfect attachment for construction, road building, forestry and mining applications. These durable, versatile and hard-wearing thumbs work with any bucket, blade or rake, opening up endless possibilities for your operation.



Model	unit	mini	HZ02	HZ04	HZ06	HZ08
A	mm	625	745	910	1190	1650
B	mm	200	220	295	325	400
C	mm	170	190	220	300	435
N	mm	90	90	90	90	145
Excavator weight	ton	0.6-2	1.5-3	4-8	10-17	18-25
weight	kg	40	50	90	120	300

# Other Products



Yantai ChongPo Construction Machinery Co., Ltd

Quality changes the world