

**Main specification parameter**

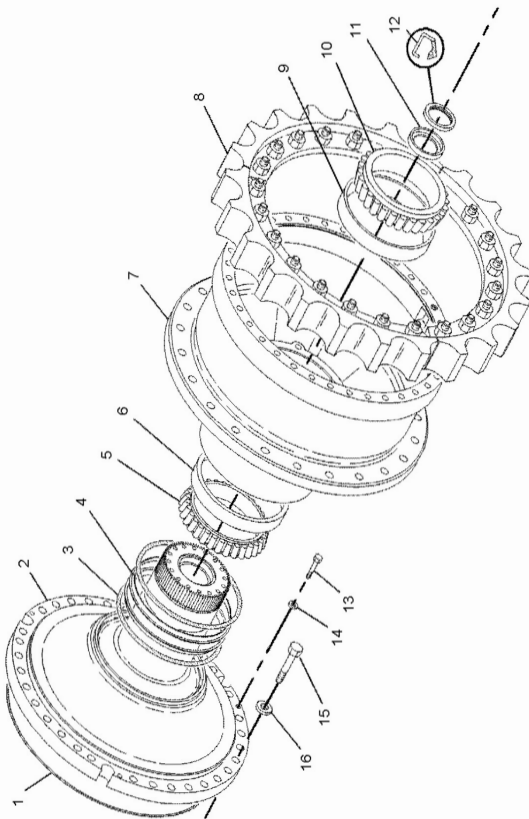
Brand	Model	Product Name	Part Number	Assembly Quantity	Weight
Caterpillar	D11R	SEGMENT GP-SPROCKET	7T1240	2	33 kg



**Compatible equipment models**

D11N	D11R
------	------

**Product Details**



Product Name	SEGMENT GP-SPROCKET
Part Number	7T1240
Origin	United States
Brand Name	STONE
Model	D11R
Price	Negotiable
Packing Details	Standard Export Packing
Delivery Time	0-30 Days
Payment Term	L/C, T/T
Price Term	FOB, CIF, CFR
Supply Capacity	50,000 PCS/Month
Minimum Order Quantity	1 PC
Material	High Quality Steel
Technology	Precision Machining
Surface	Treatment Anti-Corrosion Coating
Quality	Original Factory Standard
Warranty Time	12 Months or 2000 Hours
After-Sales Service	Full Support, Online Service
Color	Standard Caterpillar Yellow or Customizable
Application	Bulldozer
Customizable	including customized materials, surface treatment and specifications

# sprocket bulldozer

7T1240

**CAT SIS 2.0** 8ZR 关键词

Track-Type Tractor > Track-Type Tractor > D11R > 8ZR

仪表盘 零件 维修 故障排除

动力传动系配置总成  
冷却器总成  
联轴器总成  
**链轮总成**  
7T-1240 驱动链轮齿块总成 8ZR1-UP  
滤清器总成  
排放总成  
套件  
选择器阀总成  
选择器和压力机控制阀总成  
优先阀总成  
油箱总成  
制动控制总成  
终传动总成  
轴总成  
装运盖总成

整个组 SMCS  
7T-1240 SEGMENT GP-SPROCKET  
S/N 8ZR1-UP  
PART OF 110-2661, 3T-8788 DRIVE GP-FINAL

单独零件 维修文章 使用位置

价格和供货情况 Hydraulic Information

零件号	零件名称	数量必需
1 102-6675 C	驱动链轮齿块	3
2 102-6674 CCR C	齿块	2
3 7T-1243 CCR C	螺栓 (1-1/8-12X4.13-IN)	20
4 110-3785 C	板	5
5 3S-1349 C	硬垫圈 (31X52.5X6-MM Thk)	20

## STONE: Construction machinery parts expert in China



We are committed to providing a variety of parts including bulldozers, excavators and wheel loaders for well-known brands such as Carter and Komatsu. Our product line covers a full range of OEM parts, such as Track Chain, Track Rollers, Sprocket, Excavator Buckets, Blades, Excavator Cylinders, Swing Circles, and various electrical and hydraulic components to ensure that our customers' stringent requirements for quality and performance are met.



Stone (Shanghai) Engineering Machinery Co., Ltd. is a leading supplier of engineering machinery parts, focusing on providing high-quality parts for mining companies. Since its establishment in 2004, we have been based in Shanghai, China, and have built our own brand STONE, becoming a trusted choice in the industry.