



江苏长龄液压股份有限公司
Jiangsu Changling Hydraulic Co.,Ltd.

证券名称: 长龄液压
证券代码: 605389



江苏长龄液压股份有限公司
Jiangsu Changling Hydraulic Co.,Ltd.

地址:中国江苏江阴市云亭街道云顾路885号
Add: No.885,Yungu Road, Yunting Town,JiangYin Jiangsu, China

电话(Tel):0510-86151188 传真(Fax):0510-86018588
邮编(P.C):214422
邮箱(Email):sales@changlingmach.com

更多详细资料请点击网站
For more products Please visit our website:

中文站网址: www.changlingmach.cn
英文站网址: www.changlingmach.com



SLEWING DRIVE
回转减速机



江苏长龄液压股份有限公司
Jiangsu Changling Hydraulic Co.,Ltd.

证券名称: 长龄液压
证券代码: 605389



江苏长龄液压股份有限公司
Jiangsu Changling Hydraulic Co.,Ltd.

地址:中国江苏江阴市云亭街道云顾路885号
Add: No.885,Yungu Road, Yunting Town,JiangYin Jiangsu, China

电话(Tel):0510-86151188 传真(Fax):0510-86018588
邮编(P.C):214422
邮箱(Email):sales@changlingmach.com

更多详细资料请点击网站
For more products Please visit our website:

中文站网址: www.changlingmach.cn
英文站网址: www.changlingmach.com



SLEWING DRIVE
回转减速机



ABOUT US

关于我们



江苏长龄液压股份有限公司，是一家拥有自主知识产权，集研发、生产、销售于一体的专业工程机械用液压关键零部件高新技术企业，主要产品为回转减速机、工程机械液压中央回转接头、液压履带张紧装置、液压阀等。公司经过多年的艰苦创业，现已发展成为国内工程机械液压零部件的主要生产基地。

Jiangsu Changling Hydraulic Co., Ltd. is a high-tech enterprise focusing on hydraulic key components for construction machinery with its R&D, manufacturing and selling. Its main products are slewing drives, hydraulic center joints, hydraulic adjuster cylinders, hydraulic valves and so on. After years of hard work, the company has developed into the main manufacturing base of hydraulic components for construction machinery in China.



公司现致力于回转减速机的研发和制造，产品广泛运用于太阳能光伏单轴跟踪，双轴跟踪，光热发电，高空作业车，随车起重机，液压平板车等众多场所。我们不断推陈出新，研发出多种高精度产品，为客户量身定制方案，满足不同客户不同形式的设计需求。

The company is now devoting to the R&D and manufacturing of slewing drives. The products are widely used in solar photovoltaic single-axis tracker, dual-axis tracker, solar thermal power generation, aerial platform, lorry-mounted crane, self-propelled modular transporters and many other industries. We continue to innovate and develop a variety of high-precision products and customized solutions for customers to meet the different design requirements for different customers.

APPLICATION FIELD

运用领域

光伏用回转减速机
SLEWING DRIVE FOR SOLAR
TRACKING SYSTEM



光伏用回转减速机广泛应用于太阳能光伏、光热跟踪发电领域,可用于单轴跟踪器、双轴跟踪等产品上。本产品其采用了立式结构设计,有效的简化了支架的复杂结构设计,降低了整体系统造价成本。采用了新工艺进行处理,使得产品的跟踪精度能够可达到0.2度以上,能够实现定位准确。输入接口灵活,可以方便各种液压马达、减速电机连接输入。

The slewing drive for solar tracker is widely used in the field of solar photovoltaic and solar thermal power generation, and can be used in single-axis tracker, dual-axis tracker and other products. This product adopts the vertical structure design, which effectively simplifies the complex structure design of the bracket and reduces the overall system cost. A new production process is adopted, so that the tracking accuracy of the products can be more accurate than 0.2 degrees to achieve the positioning accuracy. The flange interface is flexible to the inputs of various hydraulic motors and electric motor reducers.



APPLICATION FIELD

运用领域

工程用回转减速机

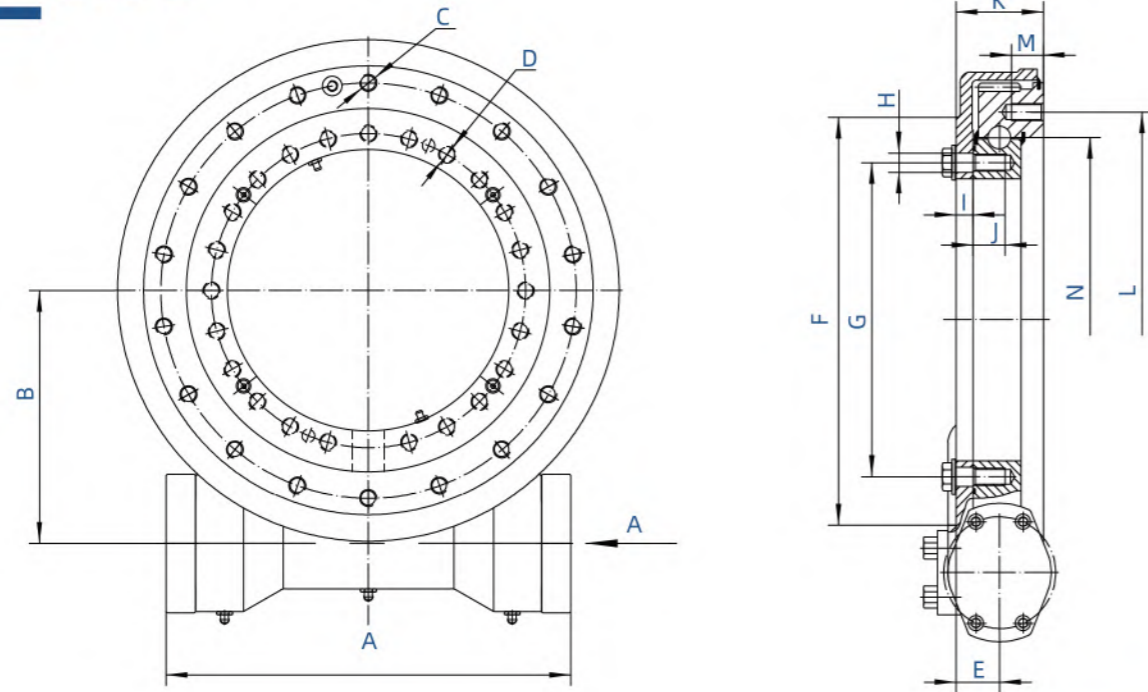
SLEWING DRIVE FOR ENGINEERING
MACHINERY



工程用回转减速机主要用于工程机械、园林机械、建筑机械、游乐场、交通运输等行业,可用于高空作业车、随车起重机、液压平板车、机器人等产品上。它拥有较强的倾覆力矩及轴向力,可应对恶劣工况,该装置拥有体积小、安装维护方便,密封性能好的优势。

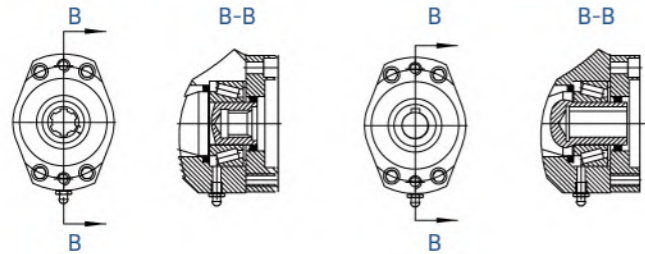
The slewing drives are mainly used in construction machinery, gardening machinery, amusement parks, transportation and other industries. They can be used in aerial platforms, lorry-mounted cranes, self-propelled modular transporters, robots and other products. Furthermore, the slewing drive can also be used in bad working conditions with its strong overturning moment and axial force. The device has the advantages of small size, easy installation, less maintenance, and good sealing performance.

SE系列



VIEW A (6B Spline)

VIEW A (Key Hole)



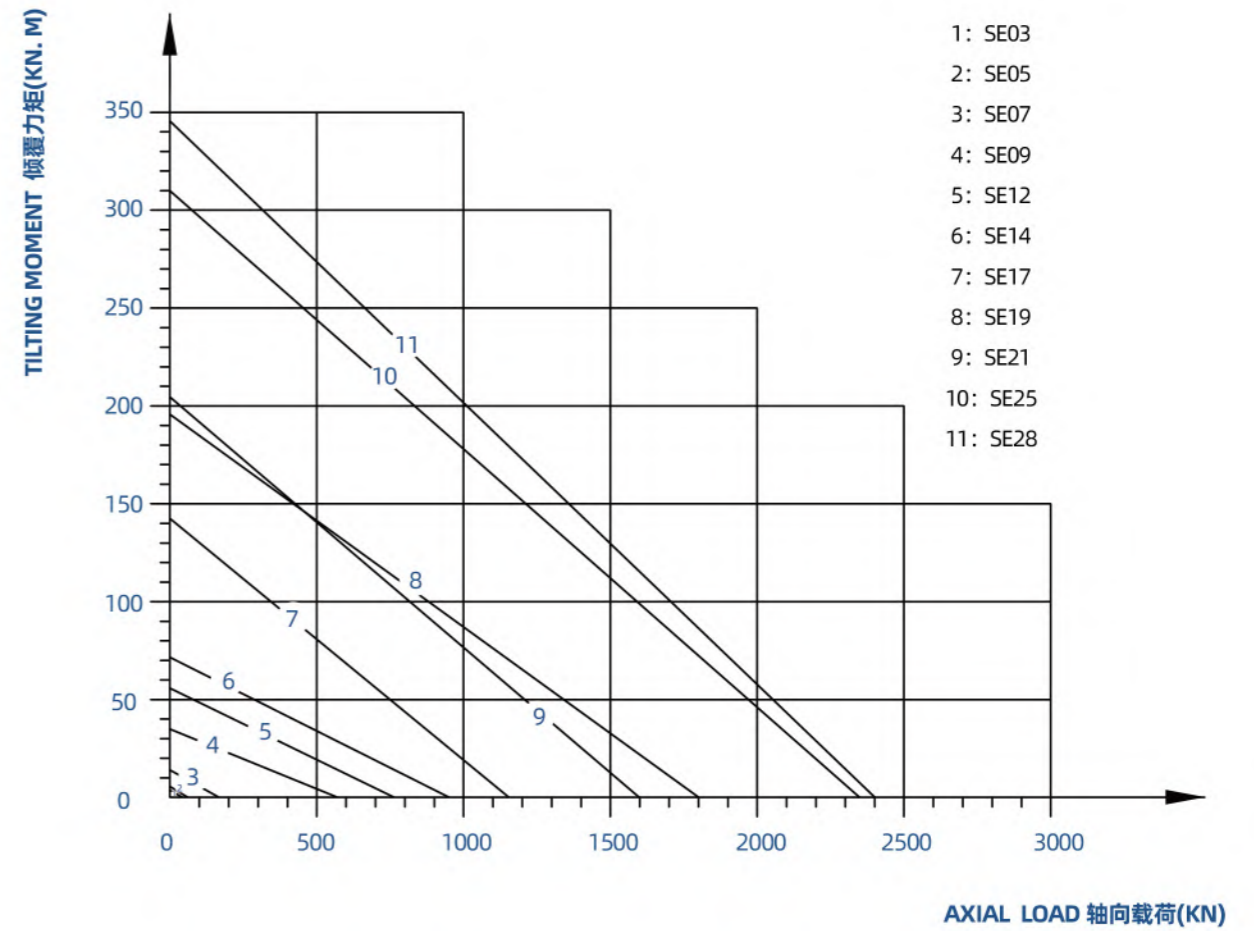
Mounting Dimension Sheet 连接尺寸



UNITS: mm
单位: mm

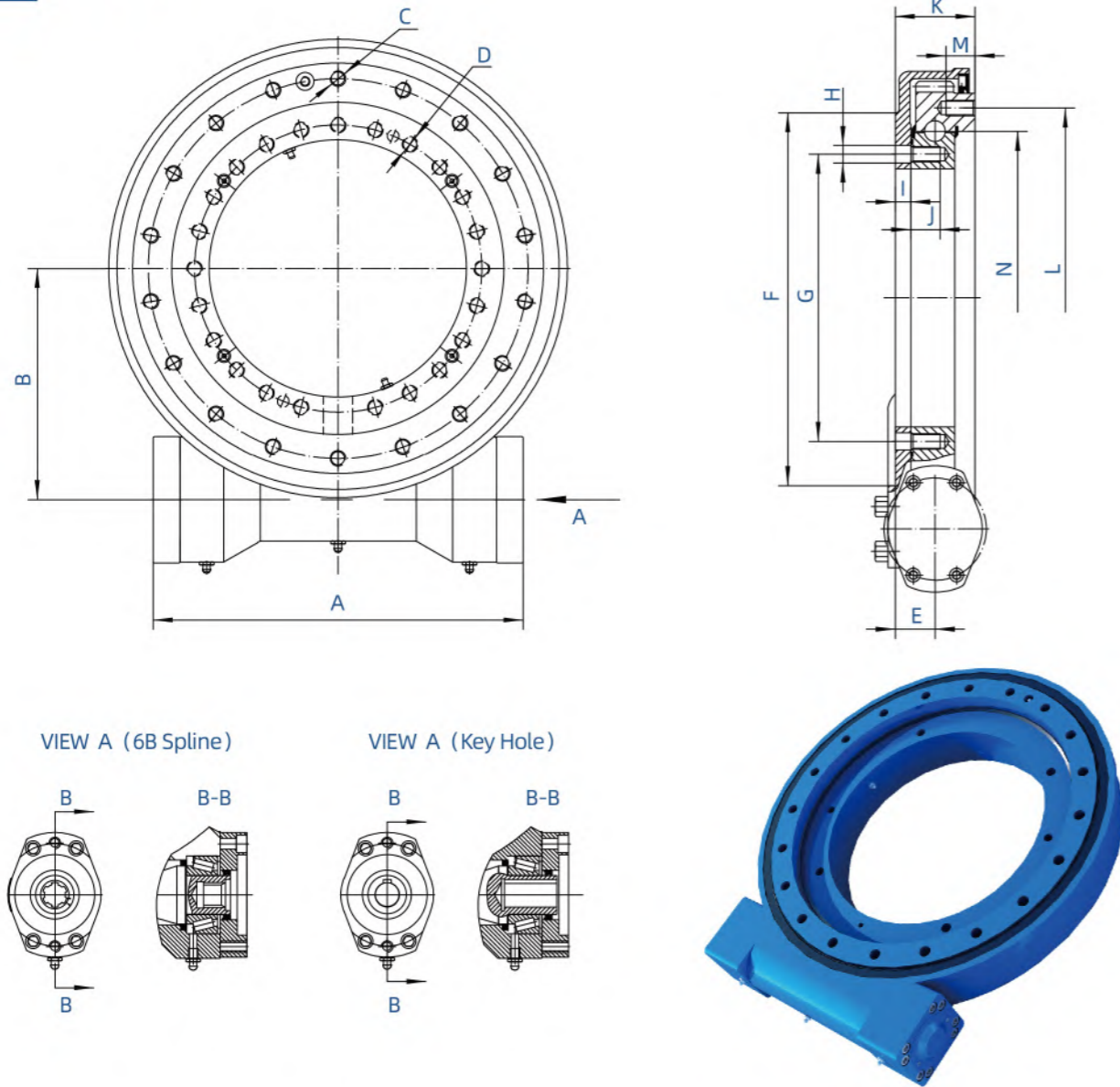
TYPE	A	B	C	D	E	F	G	H	I	J	K	L	M	N
SE03	154	80	6xM10 EQS	6xM10 EQS	46.5	Φ120	Φ100			15	109	Φ100	20	
SE05	170.5	93.8	6xM10 EQS	7xM10 Based on 8 EQS	36	Φ100	Φ70	Φ11	21	20	74	Φ130	20	Φ103.5
SE07	295	142.5	10xM12 EQS	11xM12 Based on 12 EQS	48.5	Φ195	Φ135	Φ14	16	25	95	Φ205	25	Φ175
SE09	321.5	180	16xM16 EQS	15xM16 Based on 16 EQS	56.1	Φ251	Φ175	Φ18	35	30	108	Φ270	30	Φ223.5
SE12	370	222.5	16xM16 EQS	19xM16 Based on 20 EQS	58.4	Φ340	Φ259	Φ18	39.4	30	110.4	Φ358	30	Φ310
SE14	380	237.5	18xM16 EQS	23xM16 Based on 24 EQS	59	Φ383	Φ295	Φ18	39	30	110	Φ390	30	Φ342
SE17	405	285	20xM16 EQS	20xM16 EQS	66	Φ466	Φ365	Φ18	47	32	126	Φ479	32	Φ430
SE19	434	307	32xM16 EQS	31xM16 Based on 32 EQS	55	Φ490	Φ420	Φ18	25	32	108	Φ520	32	Φ480
SE21	490	350	36xM20 EQS	35xM20 Based on 36 EQS	76.2	Φ550	Φ466.7	Φ22	36.5	40	136.5	Φ584.2	40	Φ542
SE25	516	399	36xM20 EQS	35xM20 Based on 36 EQS	76.2	Φ650	Φ565	Φ22	30	40	130	Φ675	40	Φ631.5
SE28	494	440	36xM20 EQS	35xM20 Based on 36 EQS	73	Φ710	Φ644	Φ22	39	40	135	Φ776	40	Φ710.5

AXIAL LOAD & TILTING MOMENT 承载力矩表



DATA 参数 型号 TYPE	Sieving Drive Ratio 减速比	Efficiency 效率	Nom. Output Torque 额定输出转矩	MAX. Output Torque 最大输出扭矩	Holding Torque 保持力矩	Tilting Moment Torque 倾覆力矩	Static Radial Rating 径向静载荷	Static Axial Rating 轴向静载荷	Dynamic Radial Rating 径向动载荷	Dynamic Axial Rating 轴向动载荷	Self- locking 自锁
			N.m	N.m	N.m	N.m	kN	kN	kN	kN	
SE03	62	35%	650	899	3000	1000	16.6	29.4	8.4	9.6	YES/是
SE05	62	35%	849	1274	4700	3750	27.1	67.9	14	16.5	
SE07	73	40%	2010	3020	7034	13556	53.3	133.2	27.9	31.9	
SE09	62	40%	7200	10600	38700	35600	215	578	71	81	
SE12	79	40%	8000	11590	43000	57000	280	760	100	114	
SE14	86	40%	8500	12994	48000	71200	360	960	117	133	
SE17	104	40%	10000	14720	72300	142400	435	1166	205	235	
SE19	120	40%	12000	18000	86700	196000	675	1800	250	290	
SE21	125	40%	15000	22000	105800	203000	640	1598	335	385	
SE25	150	40%	18000	24000	158600	310000	945	2360	470	590	
SE28	136	40%	20000	27000	200000	345000	900	2400	520	670	

SS系列

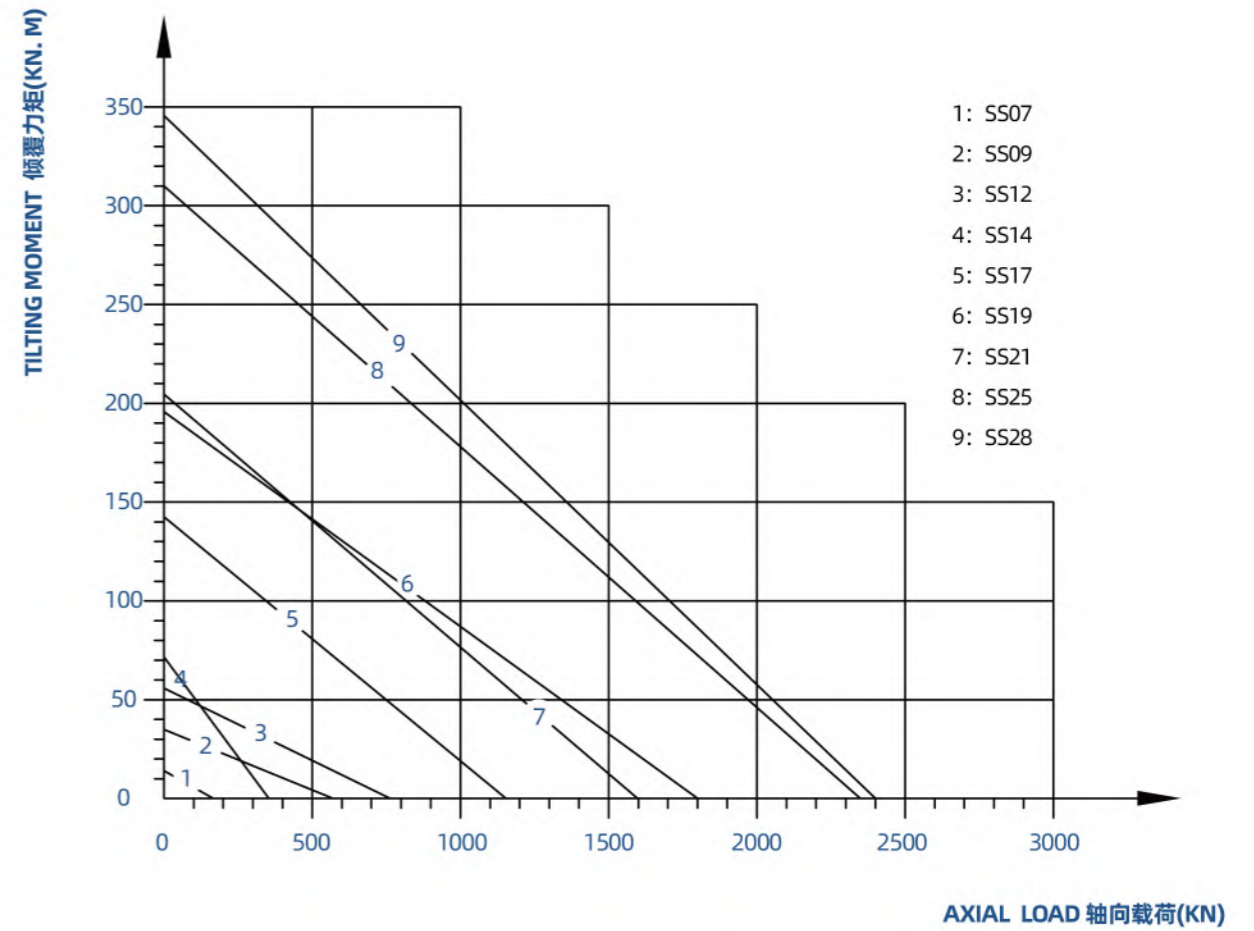


Mounting Dimension Sheet 连接尺寸



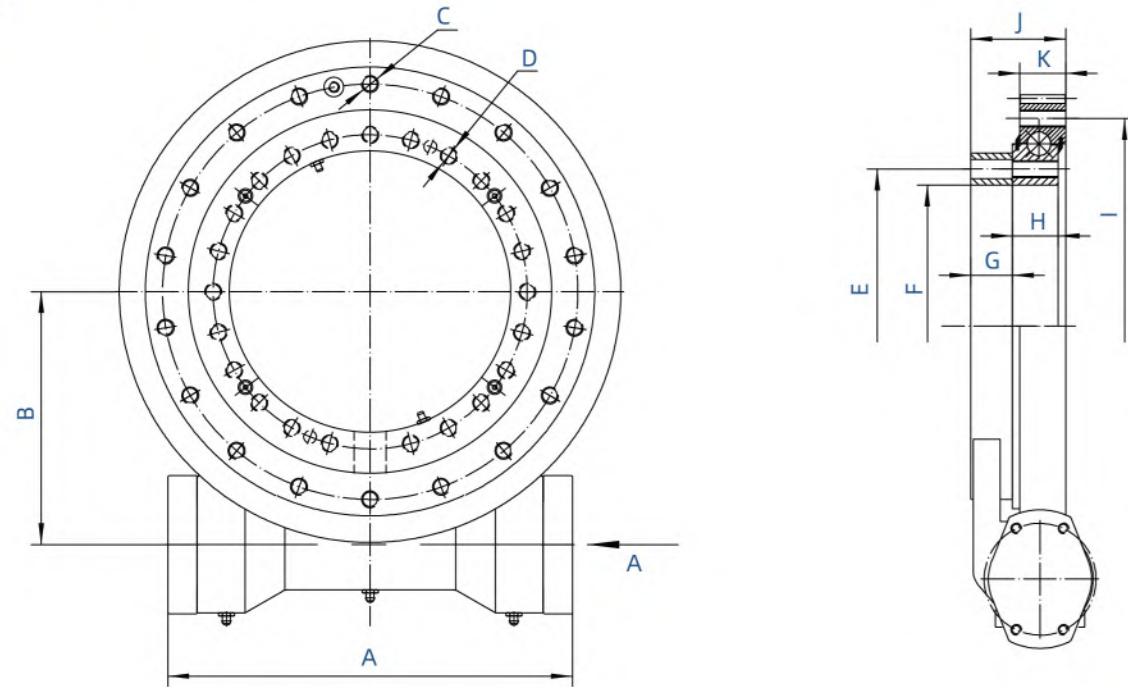
TYPE	A	B	C	D	E	F	G	H	I	J	K	L	M	N
SS07	295	142.5	10×M12 EQS	11×M12 Based on 12 EQS	48.5	Φ195	Φ135	Φ14	16	25	95	Φ205	25	Φ175
SS09	330	180	16×M16 EQS	16×M16 EQS	41	Φ251	Φ175	Φ18	15	30	82	Φ270	30	Φ222.5
SS12	370	222.5	18×M16 EQS	19×M16 Based on 20 EQS	47.5	Φ340	Φ259	Φ18	14	30	82	Φ358	30	Φ310
SS14	380	237.5	18×M16 EQS	19×M16 Based on 20 EQS	59	Φ383	Φ295	Φ18	34	30	110	Φ390	30	Φ342
SS17	405	285	20×M16 EQS	23×M16 Based on 24 EQS	66	Φ406	Φ365	Φ18	41	30	126	Φ479.5	32	Φ430
SS19	435	307	31×M16 Based on 32 EQS	32×M16 EQS	55	Φ490	Φ420	Φ18	25	32	108	Φ520	32	Φ480
SS21	482	350	36×M20 EQS	35×M20 Based on 36 EQS	76.2	Φ550	Φ466.7	Φ22	30	32	136.5	Φ584.21	40	Φ542
SS25	516	379	36×M20 EQS	35×M20 Based on 36 EQS	76.2	Φ650	Φ565	Φ22	30	40	130	Φ675	40	Φ631.5
SS28	494	440	36×M20 EQS	35×M20 Based on 36 EQS	73	Φ710	Φ644	Φ22	39	40	135	Φ776	40	Φ710.5

AXIAL LOAD & TILTING MOMENT 承载力矩表



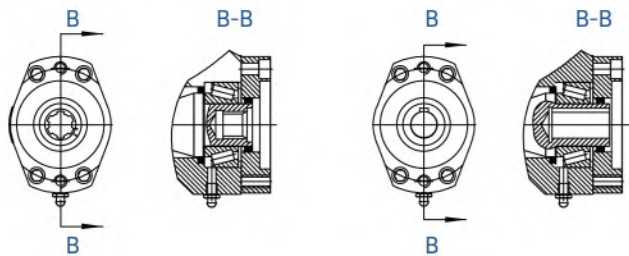
DATA 参数	Sieving Drive Ratio 减速比	Efficiency 效率	Nom. Output Torque 额定输出转矩	MAX. Output Torque 最大输出扭矩	Holding Torque 保持力矩	Tilting Moment Torque 倾覆力矩	Static Radial Rating 径向静载荷	Static Axial Rating 轴向静载荷	Dynamic Radial Rating 径向动载荷	Dynamic Axial Rating 轴向动载荷	Self- locking 自锁
型号 TYPE			N.m	N.m	N.m	N.m	kN	kN	kN	kN	
SS07	73	40%	2010	3020	7034	13556	53.3	133.2	279	319	YES/是
SS09	62	40%	7200	10600	38700	35600	215	578	71	81	
SS12	79	40%	8000	11590	43000	57000	280	760	100	114	
SS14	86	40%	8500	12994	48000	71200	360	960	117	133	
SS17	104	40%	10000	14720	72300	142400	435	1166	205	235	
SS19	120	40%	12000	18000	86700	196000	675	1800	250	290	
SS21	125	40%	15000	22000	105800	203000	640	1598	335	385	
SS25	150	40%	18000	24000	158600	310000	945	2360	470	590	
SS28	136	40%	20000	27000	200000	345000	900	2400	520	670	

S系列



VIEW A (6B Spline)

VIEW A (Key Hole)



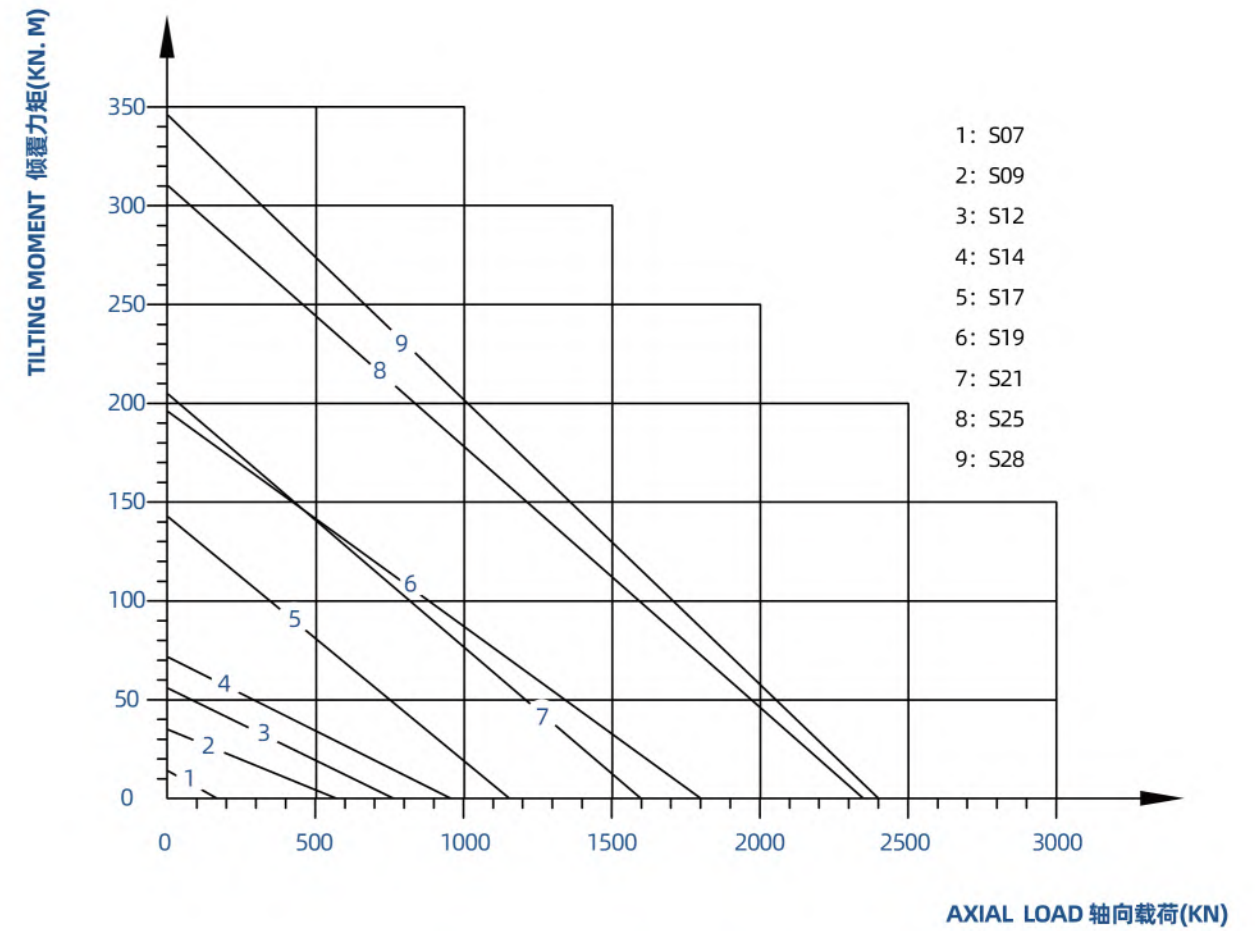
Mounting Dimension Sheet 连接尺寸



UNITS: mm
单位: mm

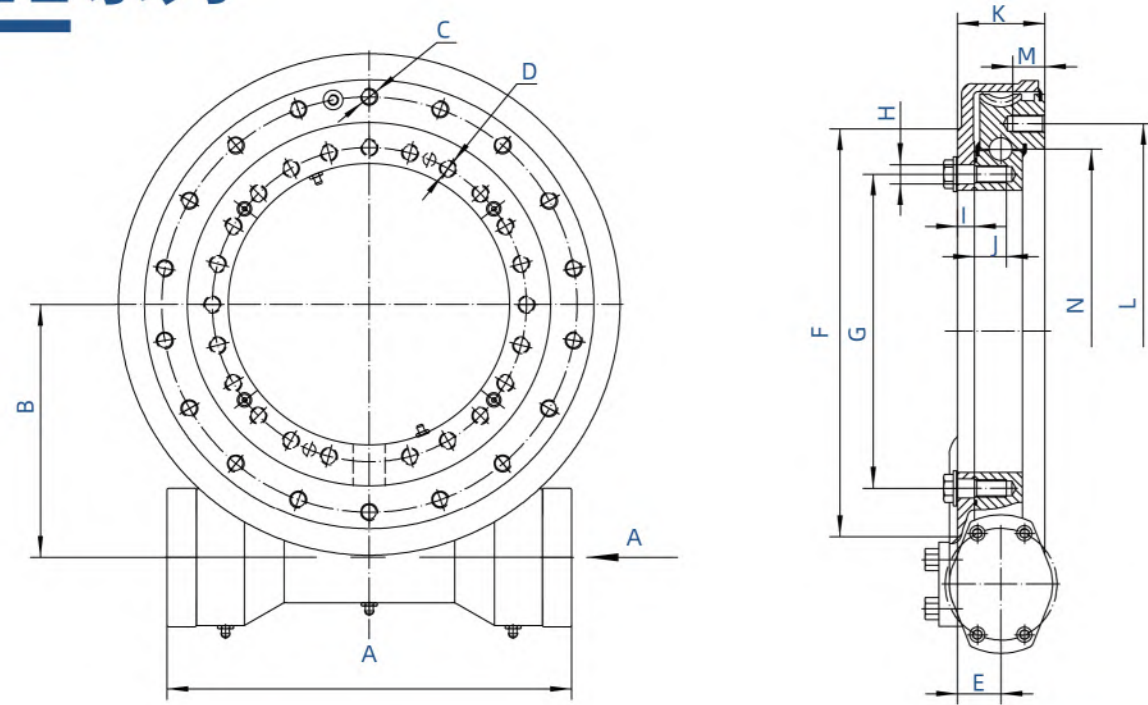
TYPE	A	B	C	D	E	F	G	H	I	J	K
S07	183	133.2	10×M12 EQS	11×M12 Based on 12 EQS	Φ120.6	Φ98	20	18	Φ205	63	18
S09	322	174.1	16×M16 EQS	16×M16 EQS	Φ175	Φ146	39	44	Φ270	89	44
S12	322	220	16×M16 EQS	19×M16 Based on 20 EQS	Φ259	Φ229	39	44	Φ358	89	44
S14	338	237.6	18×M16 EQS	23×M16 Based on 24 EQS	Φ295	Φ265	39.1	43	Φ390	89.1	43
S17	385	280.4	20×M16 EQS	20×M16 EQS	Φ365.1	Φ324	47	48	Φ479	89	47
S19	435	307	32×M16 EQS	31×M16 Based on 32 EQS	Φ420	Φ380	47	48	Φ420	103	47
S21	469	345	36×M20 EQS	35×M20 Based on 36 EQS	Φ466.7	Φ435	42	50	Φ466.7	137	42
S25	469	401.8	36×M20 EQS	35×M20 Based on 36 EQS	Φ565	Φ512	47	50	Φ675	130	47
S28	500	440	36×M20 EQS	35×M20 Based on 36 EQS	Φ644	Φ608	38	40	Φ810	135	40

AXIAL LOAD & TILTING MOMENT 承载力矩表



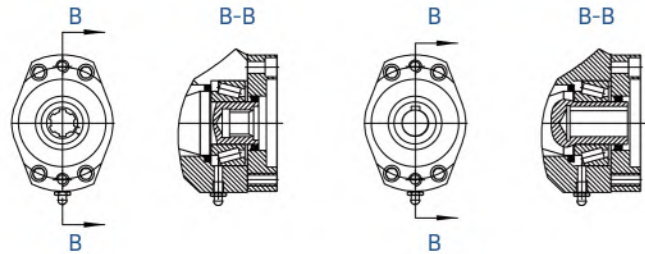
DATA 参数	Sieving Drive Ratio 减速比	Efficiency 效率	Nom. Output Torque 额定输出转矩	MAX. Output Torque 最大输出扭矩	Holding Torque 保持力矩	Tilting Moment Torque 倾覆力矩	Static Radial Rating 径向静载荷	Static Axial Rating 轴向静载荷	Dynamic Radial Rating 径向动载荷	Dynamic Axial Rating 轴向动载荷	Self- locking 自锁
型号 TYPE			N.m	N.m	N.m	N.m	kN	kN	kN	kN	
S07	73	40%	2010	4020	7034	13556	53.3	133.2	279	319	YES/是
S09	62	40%	4480	8960	38700	35600	215	578	71	81	
S12	79	40%	5795	11590	43000	57000	280	760	100	114	
S14	86	40%	8729	12994	48000	71200	360	960	117	133	
S17	104	40%	9360	18720	72300	142400	435	1166	205	235	
S19	120	40%	13500	27200	86700	196000	675	1800	250	290	
S21	125	40%	16010	32020	105800	203000	640	1598	335	385	
S25	150	40%	24011	42995	158300	310000	945	2360	470	590	
S28	136	40%	15000	32000	200000	345000	900	2400	520	670	

WE系列



VIEW A (6B Spline)

VIEW A (Key Hole)



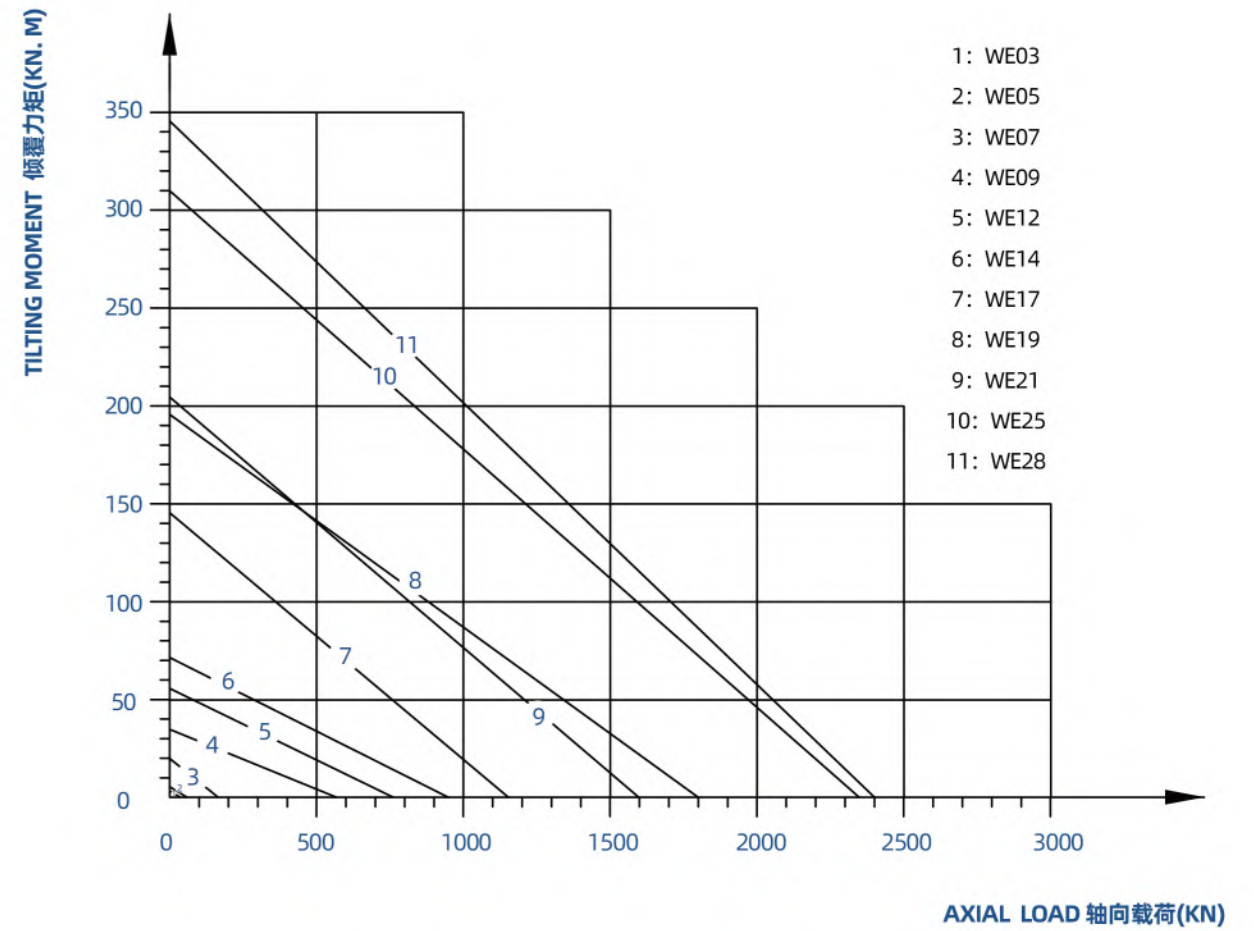
Mounting Dimension Sheet 连接尺寸



UNITS: mm
单位: mm

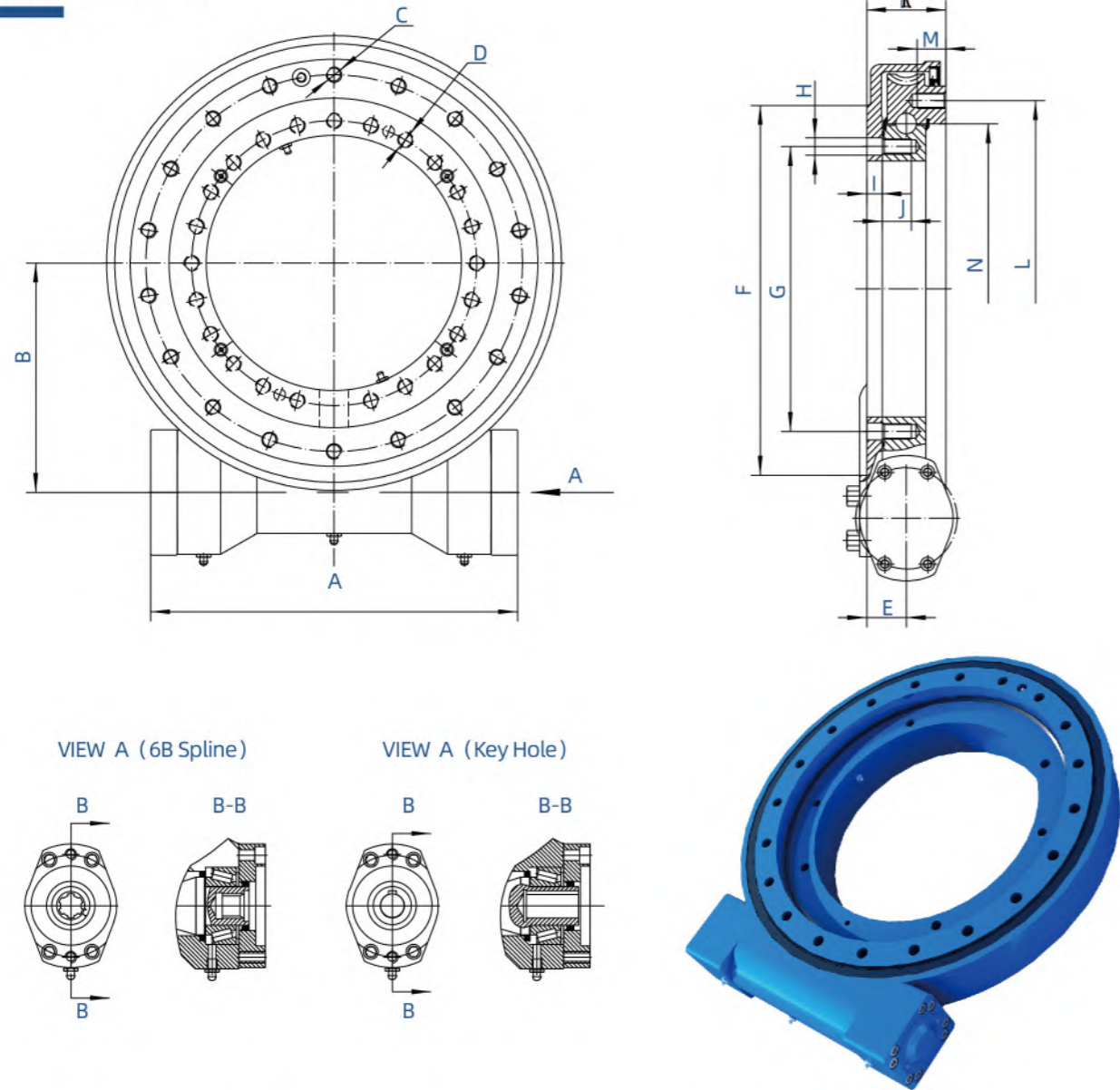
TYPE	A	B	C	D	E	F	G	H	I	J	K	L	M	N
WE03	154	80	6xM10 EQS	6xM10 EQS	46.5	Φ120	Φ100			15	109	Φ100	20	
WE05	170.5	93.8	6xM10 EQS	7xM10 Based on 8 EQS	36	Φ100	Φ70	11	21	20	74	Φ130	20	Φ103.5
WE07	295	142.5	10xM12 EQS	11xM12 Based on 12 EQS	48.5	Φ195	Φ135	14	16	25	95	Φ205	25	Φ175
WE09	330.5	180	16xM16 EQS	15xM16 Based on 16 EQS	57	Φ251	Φ175	18	32	30	108	Φ270	30	Φ223.5
WE12	370	222.5	16xM16 EQS	19xM16 Based on 20 EQS	57	Φ340	Φ259	18	30.5	30	108	Φ358	30	Φ310
WE14	380	237.5	18xM16 EQS	23xM16 Based on 24 EQS	51	Φ383	Φ295	18	26	30	108	Φ390	30	Φ342
WE17	405	285	20xM16 EQS	20xM16 EQS	55	Φ466	Φ365	18	30	32	108	Φ479	32	Φ430
WE19	435	307	32xM16 EQS	31xM16 Based on 32 EQS	55	Φ490	Φ420	18	25	32	110	Φ420	32	Φ520
WE21	490	350	36xM20 EQS	35xM20 Based on 36 EQS	65	Φ550	Φ466.7	22	30	40	130	Φ584.2	40	Φ542
WE25	516	399	36xM20 EQS	35xM20 Based on 36 EQS	65	Φ650	Φ565	22	30	40	130	Φ675	40	Φ631.5
WE28	500	440	36xM20 EQS	35xM20 Based on 36 EQS	72	Φ710	Φ644	22	38	40	135	Φ810	40	Φ710.5

AXIAL LOAD & TILTING MOMENT 承载力矩表



DATA 参数 型号 TYPE	Sieving Drive Ratio 减速比	Efficiency 效率	Nom. Output Torque 额定输出转矩	MAX. Output Torque 最大输出扭矩	Holding Torque 保持力矩	Tilting Moment Torque 倾覆力矩	Static Radial Rating 径向静载荷	Static Axial Rating 轴向静载荷	Dynamic Radial Rating 径向动载荷	Dynamic Axial Rating 轴向动载荷	Self- locking 自锁
			N.m	N.m	N.m	N.m	kN	kN	kN	kN	
WE03	62	35%	650	899	3000	1000	16.6	29.4	8.4	9.6	YES/是
WE05	62	35%	849	1274	4700	3750	271	679	14	16.5	
WE07	73	40%	2467	3700	14200	20000	53.3	133.2	27.9	31.9	
WE09	62	40%	8000	12000	38700	35600	215	578	71	81	
WE12	79	40%	9500	14250	43000	57000	280	760	100	114	
WE14	86	40%	10800	16200	48000	71200	360	960	117	133	
WE17	104	40%	12500	18720	72300	142400	435	1166	205	235	
WE19	93	40%	18500	27750	86700	196000	675	1800	250	290	
WE21	90	40%	28000	42020	105800	203000	640	1598	335	385	
WE25	104	40%	34500	42995	158300	310000	945	2360	470	590	
WE28	116	40%	37950	49330	200000	345000	900	2400	520	670	

WS系列

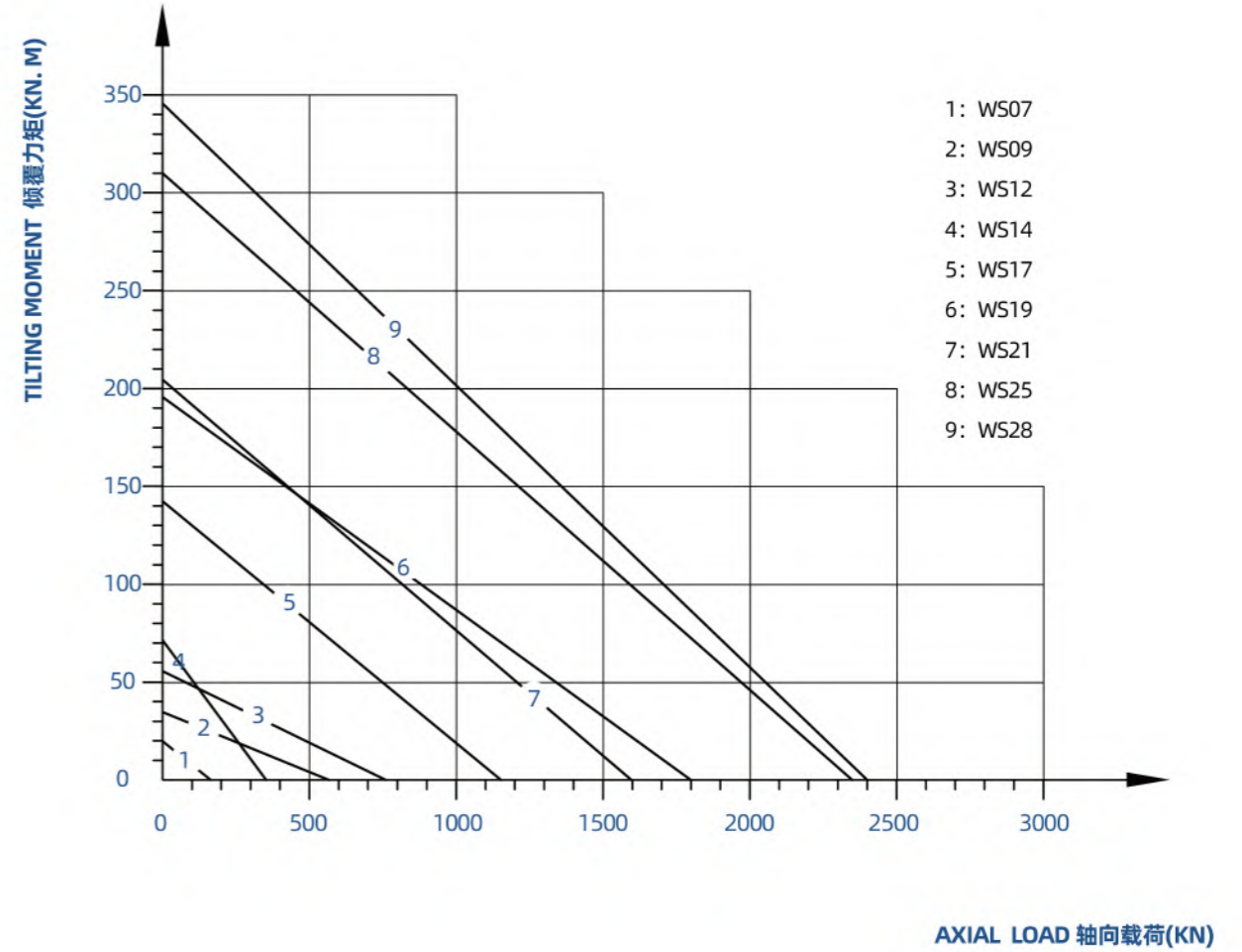


Mounting Dimension Sheet 连接尺寸



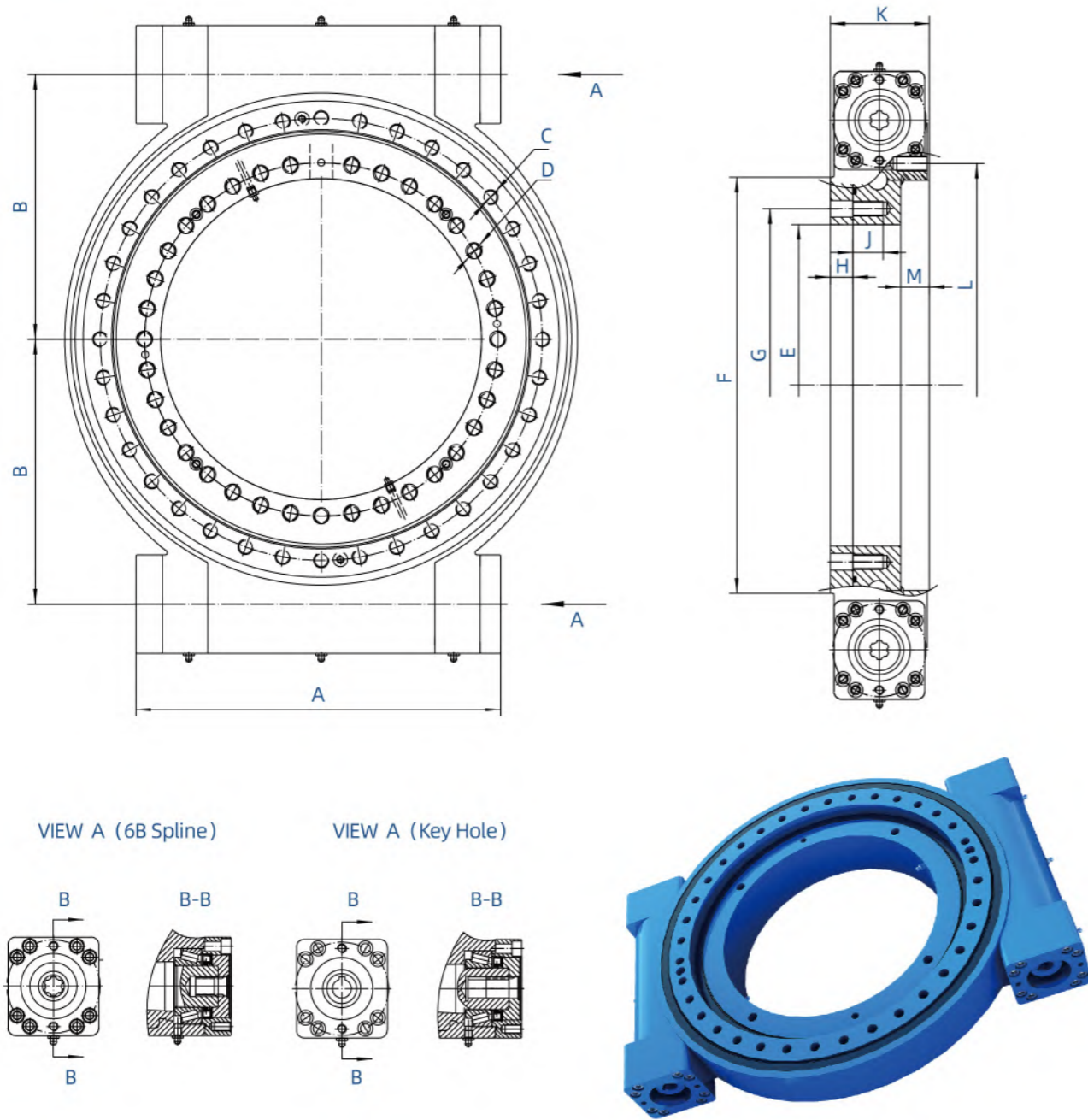
TYPE	A	B	C	D	E	F	G	H	I	J	K	L	M	N
WS07	295	14.2	10×M12 EQS	11×M12 Based on 12 EQS	48.5	Φ195	Φ135	Φ14	16	25	85	Φ205	25	Φ175
WS09	330	180	16×M16 EQS	16×M16 EQS	41	Φ251	Φ175	Φ18	15	30	82	Φ270	30	Φ222.5
WS12	370	222.5	18×M16 EQS	19×M16 Based on 20 EQS	47.5	Φ340	Φ259	Φ18	14	30	82	Φ358	30	Φ310
WS14	380	237.5	18×M16 EQS	23×M16 Based on 24 EQS	51	Φ383	Φ295	Φ18	26	30	108	Φ390	30	Φ342
WS17	405	285	20×M16 EQS	20×M16 EQS	55	Φ406	Φ365	Φ18	30	32	108	Φ479.5	32	Φ430
WS19	435	307	31×M16 Based on 32 EQS	32×M16 EQS	55	Φ490	Φ420	Φ18	25	32	108	Φ520	32	Φ480
WS21	482	350	36×M20 EQS	35×M20 Based on 36 EQS	65	Φ550	Φ466.7	Φ22	30	40	130	Φ584.2	40	Φ542
WS25	516	399	36×M20 EQS	35×M20 Based on 36 EQS	65	Φ650	Φ565	Φ22	30	40	130	Φ675	40	Φ631.5
WS28	494	440	36×M20 EQS	35×M20 Based on 36 EQS	73	Φ710	Φ644	Φ22	39	40	135	Φ776	40	Φ710.5

AXIAL LOAD & TILTING MOMENT 承载力矩表



DATA 参数 型号 TYPE	Sieving Drive Ratio 减速比	Efficiency 效率	Nom. Output Torque 额定输出转矩	MAX. Output Torque 最大输出扭矩	Holding Torque 保持力矩	Tilting Moment Torque 倾覆力矩	Static Radial Rating 径向静载荷	Static Axial Rating 轴向静载荷	Dynamic Radial Rating 径向动载荷	Dynamic Axial Rating 轴向动载荷	Self- locking 自锁
			N.m	N.m	N.m	N.m	kN	kN	kN	kN	
WS07	47	40%	2467	3700	14200	20000	53.3	133.2	279	319	YES/是
WS09	62	40%	8000	12000	38700	35600	215	578	71	81	
WS12	79	40%	9500	14250	43000	57000	280	760	100	114	
WS14	86	40%	10800	16200	48000	71200	360	960	117	133	
WS17	104	40%	12500	18720	72300	142400	435	1166	205	235	
WS19	93	40%	18500	27750	86700	196000	675	1800	250	290	
WS21	90	40%	28000	42020	105800	203000	640	1598	335	385	
WS25	104	40%	34500	42995	158300	310000	945	2360	470	590	
WS28	116	40%	37950	49330	200000	345000	900	2400	520	670	

WD系列



Mounting Dimension Sheet

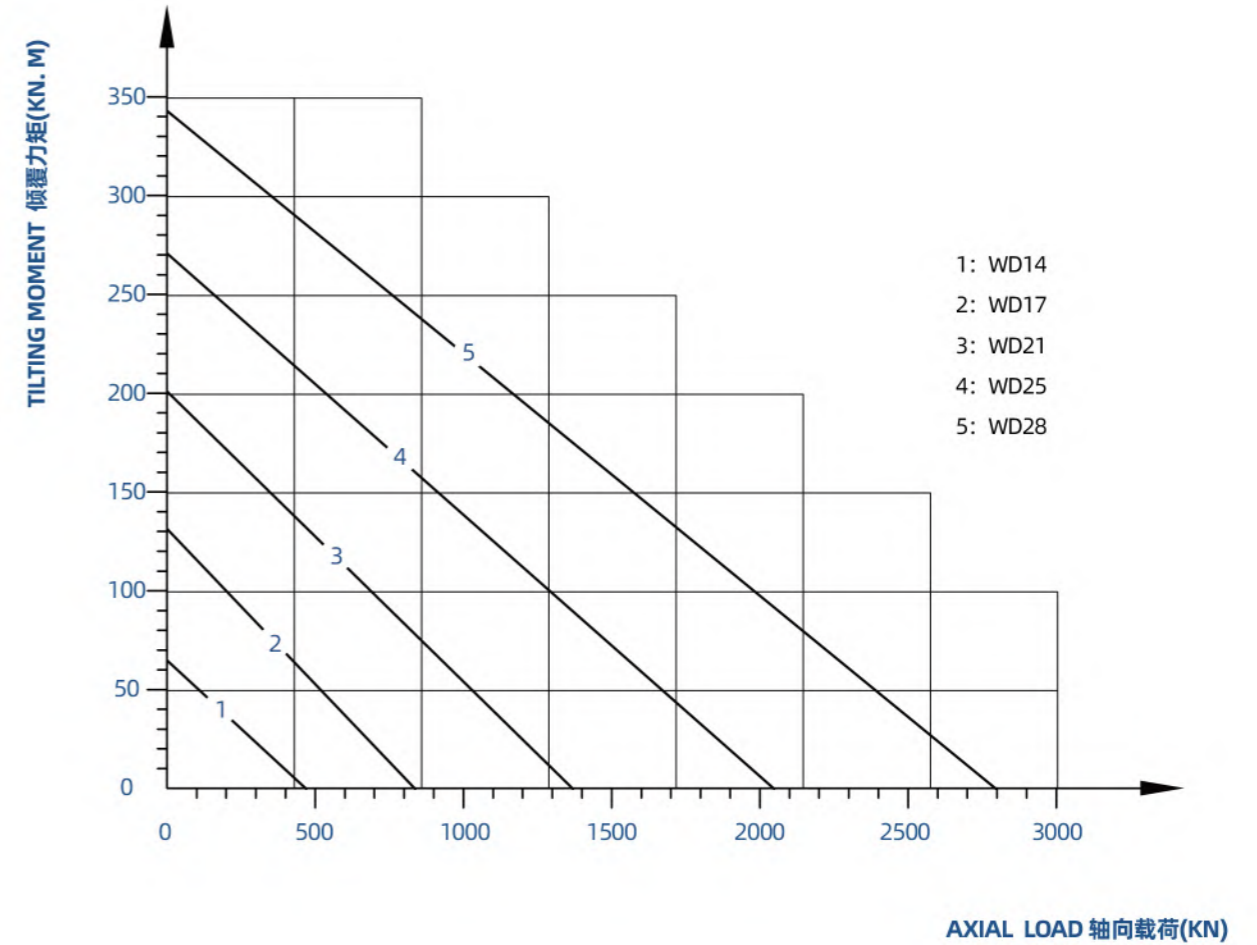
连接尺寸



TYPE	A	B	C	D	E	F	G	H	I	J	K	L	M
WD14	348	237.6	18xM16 EQS	23xM16 Based on 24 EQS	Φ265	Φ325	Φ295	33	32	43	117	Φ390	34
WD17	405	280.4	20xM16 EQS	20xM16 EQS	Φ324	Φ406	Φ365.1	34	32	44	120	Φ479	/
WD21	482	350	36xM20 EQS	35xM20 Based on 36 EQS	Φ425	Φ550	Φ466.7	30	40	40	131	Φ586.2	/
WD25	512	399	36xM20 EQS	35xM20 Based on 36 EQS	Φ512	Φ628	Φ565	47	50	50	165	Φ675	/
WD28	500	440	36xM20 EQS	35xM20 Based on 36 EQS	/	Φ710	Φ650	53	48	48	173	Φ810	40

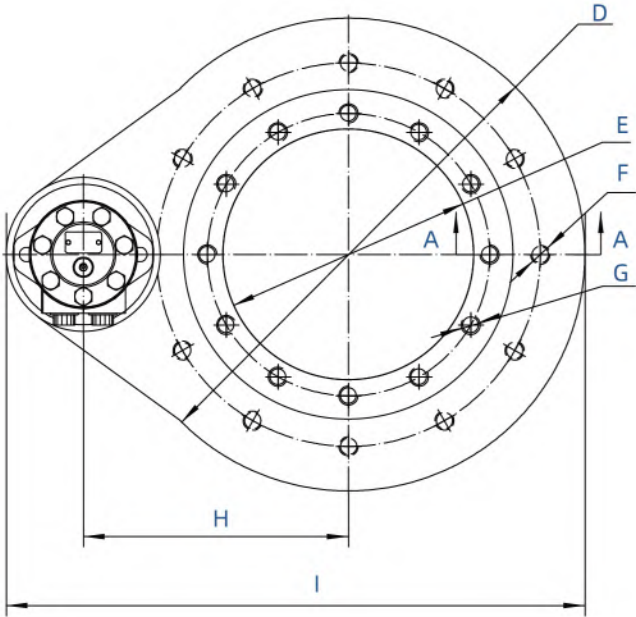
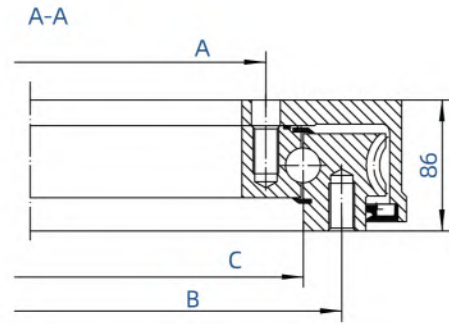
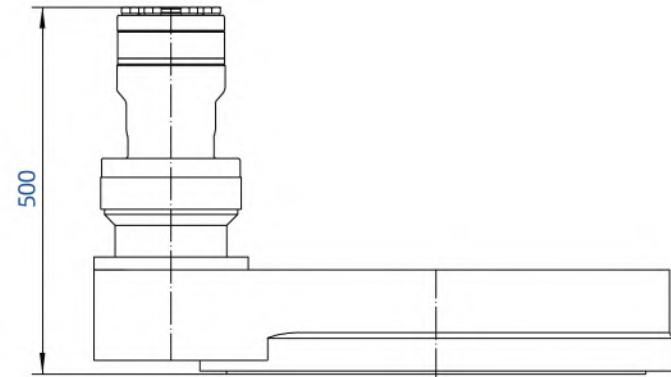
AXIAL LOAD & TILTING MOMENT

承载力矩表



DATA 参数 型号 TYPE	Sieving Drive Ratio 减速比	Efficiency 效率	Nom. Output Torque 额定输出转矩	MAX. Output Torque 最大输出扭矩	Holding Torque 保持力矩	Tilting Moment Torque 倾覆力矩	Static Radial Rating 径向静载荷	Static Axial Rating 轴向静载荷	Dynamic Radial Rating 径向动载荷	Dynamic Axial Rating 轴向动载荷	Self- locking 自锁
			N.m	N.m	N.m	N.m	kN	kN	kN	kN	
WD14	85	40%	16200	19492	81682	67800	222	555	116.6	133.2	YES/是
WD17	104	40%	19440	27080	110000	135600	390.7	976.8	205.1	234.4	
WD21	90	40%	42000	58800	185000	203000	640	1598	335	385	
WD25	104	40%	51800	67275	275000	310000	944	2360	472	590	
WD28	116	40%	56900	79700	300000	345000	1206.5	3260	528.6	676.2	

PE系列



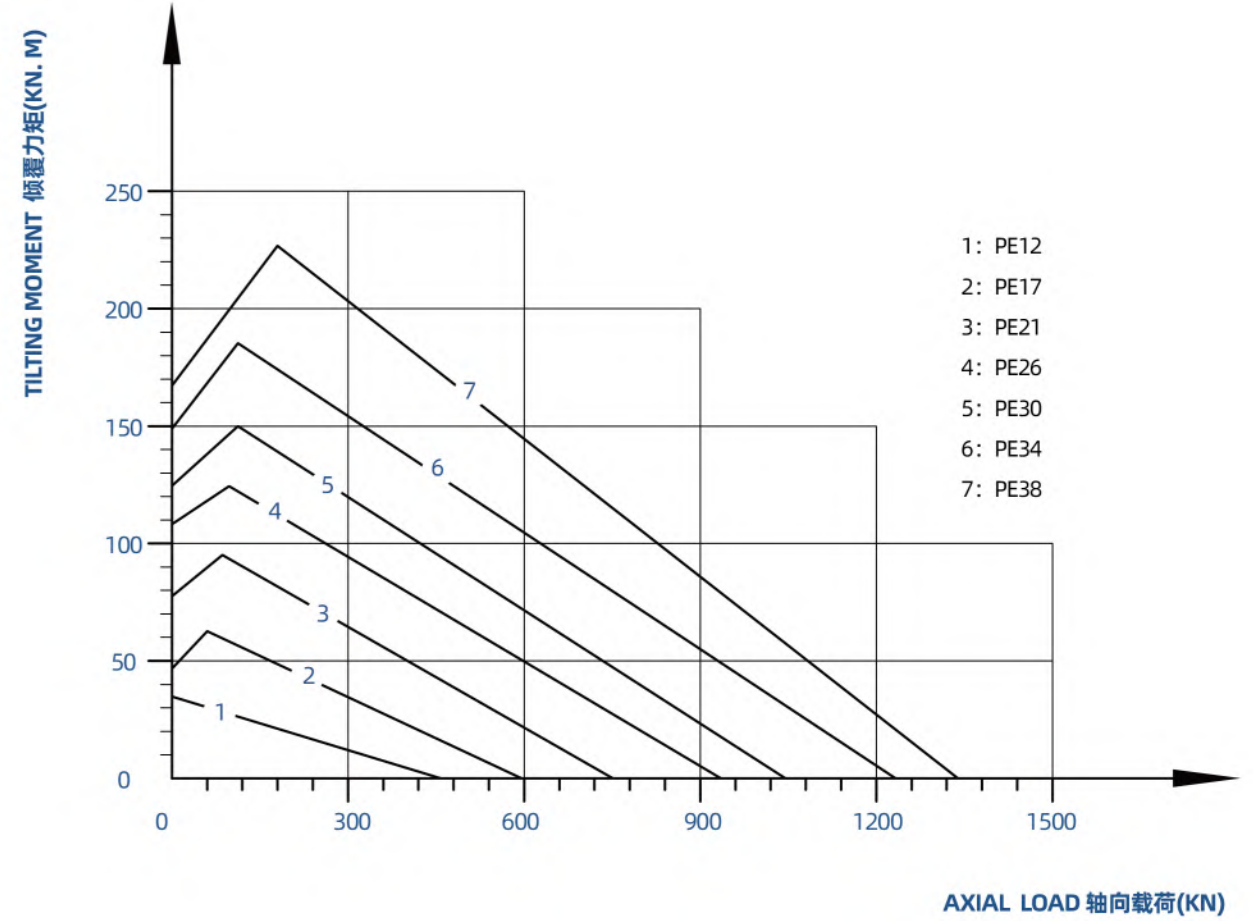
Mounting Dimension Sheet
连接尺寸



UNITS: mm
单位: mm

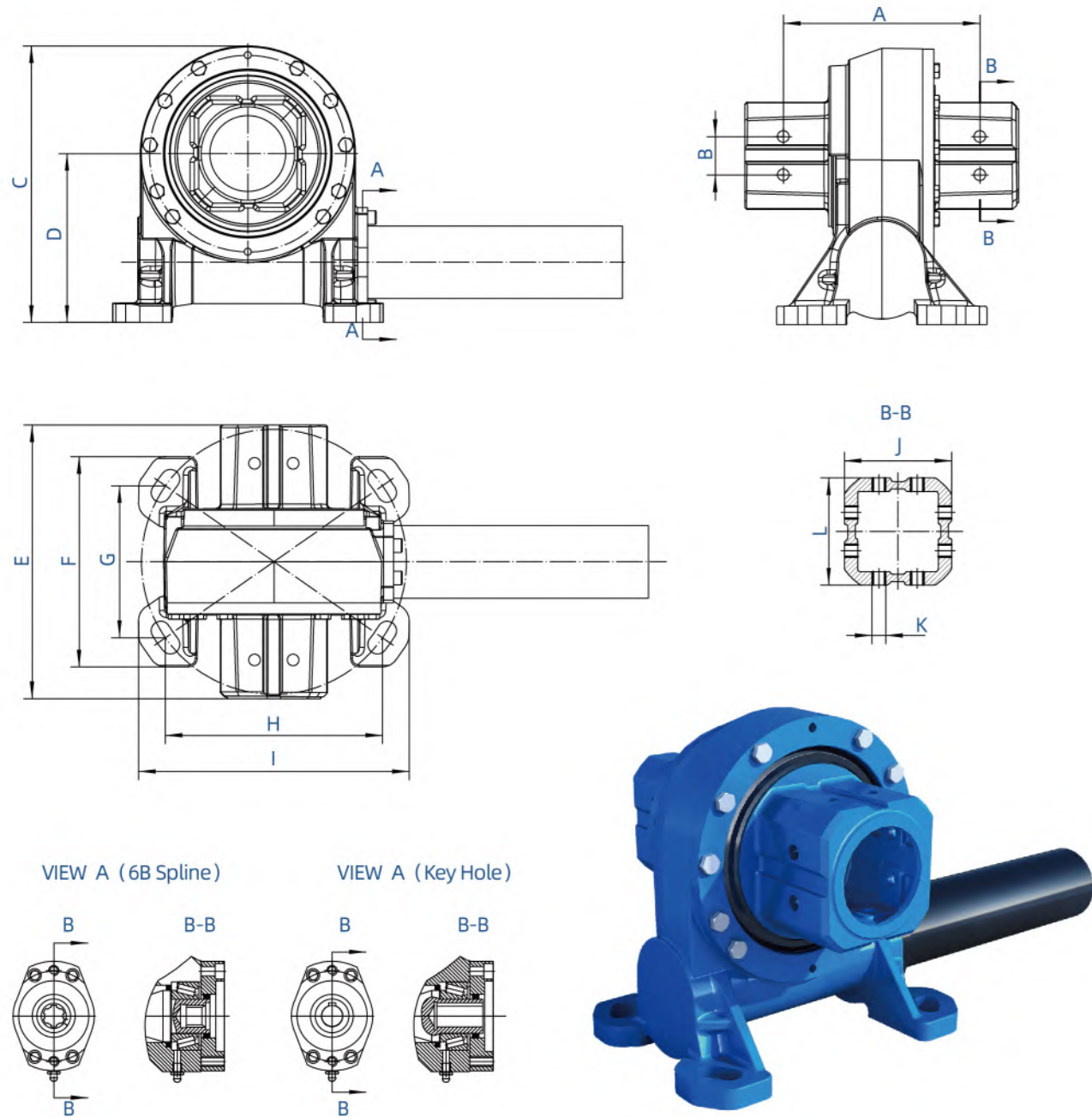
TYPE	A	B	C	D	E	F	G	H	I
PE12	Φ265	Φ360	Φ310	Φ458	Φ236	12×M16 EQS	12×M16 EQS	248.88	575
PE17	Φ365	Φ480	Φ430	Φ560	Φ330	16×M16 EQS	16×M16 EQS	296.9	720
PE21	Φ495	Φ590	Φ530	Φ760	Φ455	20×M20 EQS	20×M20 EQS	403.86	887
PE26	Φ595	Φ716	Φ657	Φ824	Φ555	24×M20 EQS	24×M20 EQS	455.88	991
PE30	Φ696	Φ816	Φ757	Φ920	Φ655	24×M20 EQS	24×M20 EQS	503.89	1090
PE34	Φ795	Φ916	Φ857	Φ1022	Φ755	28×M20 EQS	28×M20 EQS	554.7	1190
PE38	Φ895	Φ1016	Φ957	Φ1120	Φ855	30×M20 EQS	30×M20 EQS	603.65	1290

AXIAL LOAD & TILTING MOMENT
承载力矩表



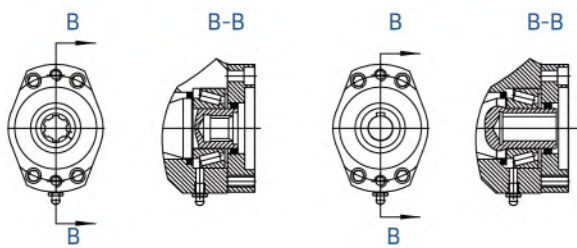
DATA 参数	Sieving Drive Ratio 减速比	Efficiency 效率	Nom. Output Torque 额定输出转矩	MAX. Output Torque 最大输出扭矩	Holding Torque 保持力矩	Tilting Moment Torque 倾覆力矩	Static Radial Rating 径向静载荷	Static Axial Rating 轴向静载荷	Dynamic Radial Rating 径向动载荷	Dynamic Axial Rating 轴向动载荷	Self- locking 自锁
型号 TYPE			N.m	N.m	N.m	N.m	kN	kN	kN	kN	
PE12	66:17	30	5460	8625	10620	32000	191	447	140	140	Option With Brake 马达可 加制动器
PE17	83:17	30	7850	10600	12610	56000	253	591	155	156	
PE21	105:17	30	9590	12670	15670	86000	333	778	173	176	
PE26	98:17	15	25000	37660	39650	115000	394	992	185	185	
PE30	110:17	15	28200	42250	45250	148000	456	1066	194	195	
PE34	122:17	15	32700	47180	49150	180000	518	1210	204	205	
PE38	134:17	15	36300	51850	53850	224000	579	1354	212	214	

VH系列



VIEW A (6B Spline)

VIEW A (Key Hole)



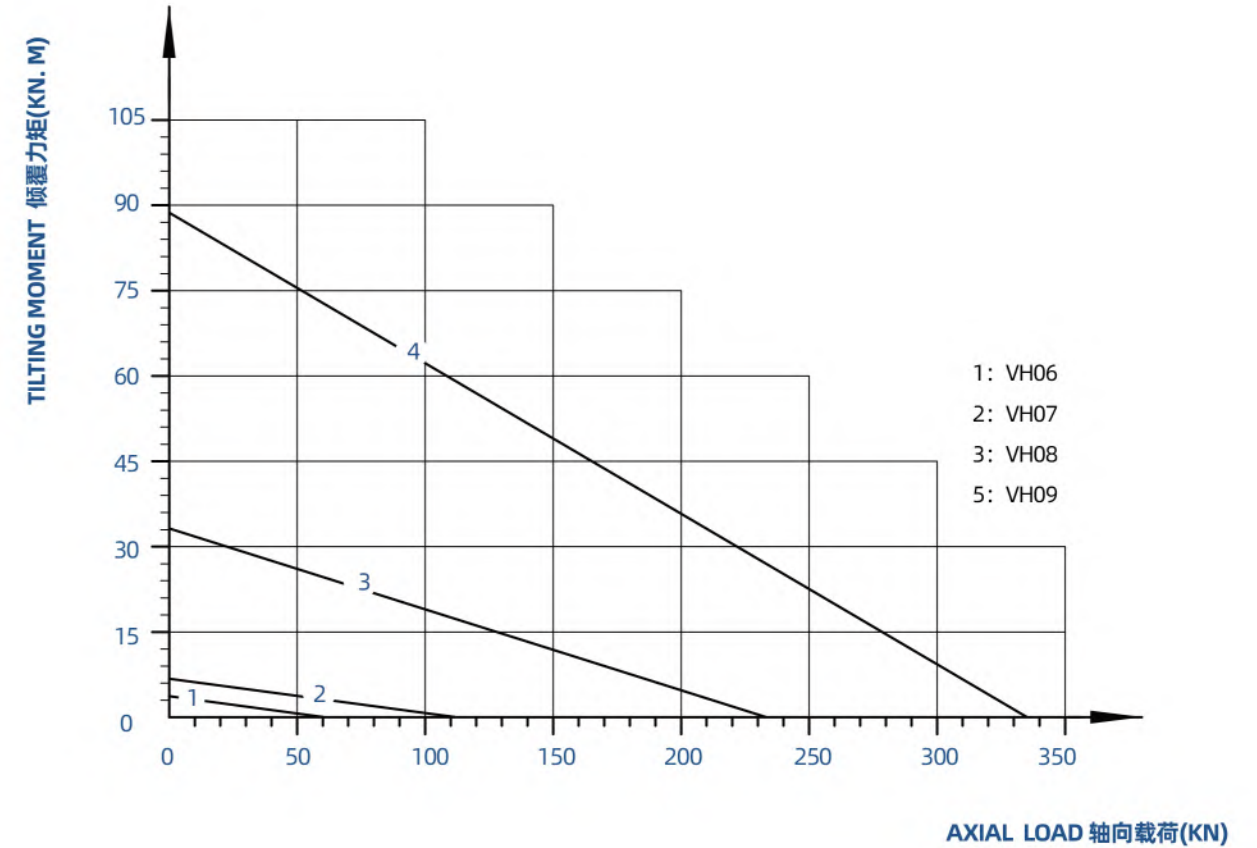
Mounting Dimension Sheet 连接尺寸



UNITS: mm
单位: mm

TYPE	A	B	C	D	E	F	G	H	I	J	K	L
VH06	246	40	316	190	320	246	117.5	254	316	117.67	16-M16	117.67
VH07	230	45	323	197	320	246	177.5	254	317	125.4	16-M16	125.4
VH08	224	70	372	210	304	265	180	270	350	137.85	16-M16	137.85
VH09	255	62	410.5	240.5	362	270	180	340	412	131	16-M16	131

AXIAL LOAD & TILTING MOMENT 承载力矩表



DATA 参数	Sieving Drive Ratio 减速比	Efficiency 效率	Nom. Output Torque 额定输出转矩	MAX. Output Torque 最大输出扭矩	Holding Torque 保持力矩	Tilting Moment Torque 倾覆力矩	Static Radial Rating 径向静载荷	Static Axial Rating 轴向静载荷	Dynamic Radial Rating 径向动载荷	Dynamic Axial Rating 轴向动载荷	Self- locking 自锁	IP Class 防护等级
型号 TYPE			N.m	N.m	N.m	N.m	kN	kN	kN	kN		
VH06	60	35%±3%	3500	9000	25000	9000	21.7	60.8	≤0.17°	±65°	YES/是	IP65
VH07	60	35%±3%	6300	8820	39000	10000	53	113	≤0.17°	±65°		
VH08	60	35%±3%	7000	9400	42000	33900	94	235	≤0.17°	±65°		
VH09	61	35%±3%	8500	12500	55000	50000	135	338	≤0.17°	±65°		

EQUIPMENT POWER

设备实力



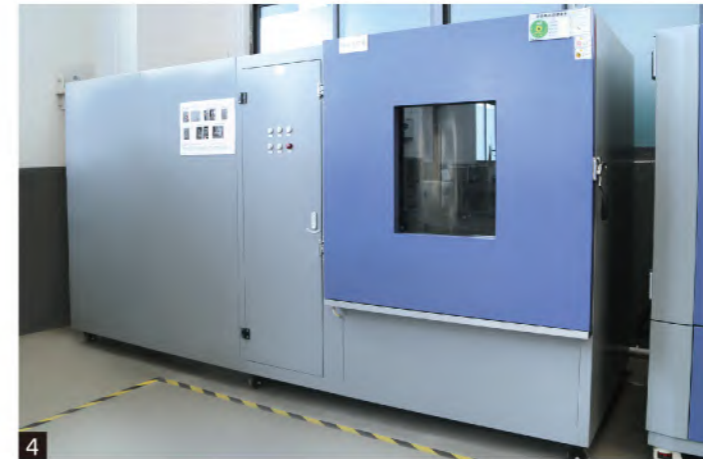
1



2



3



4



5



6



7



8



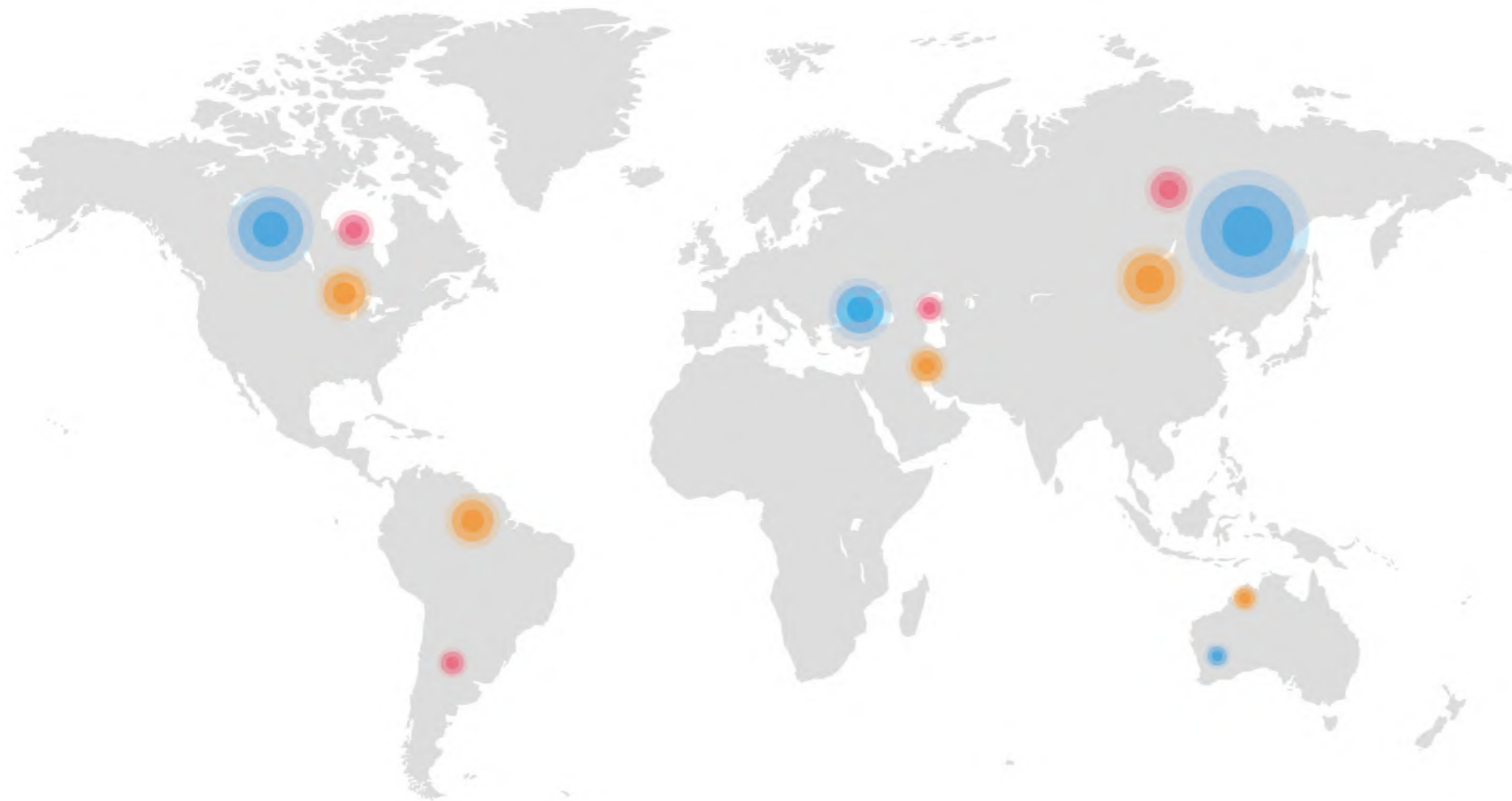
9

- 1 负载测试台
Load test bench
- 2 回转减速机检测台
Slewing drive test bench
- 3 齿轮测量中心
Gear measuring center
- 4 防水试验箱
Waterproof test box
- 5 紫外线试验箱
Ultraviolet test chamber
- 6 冷凝水试验箱
Condensate test chamber
- 7 防尘试验箱
Dust proof test chamber
- 8 电机磁粉测功机
Motor magnetic particle dynamometer
- 9 空载试验台
No load test bench



SALES NETWORK

销售网络



长龄液压时刻关注客户产品的升级换代及差异化的需求,通过对市场的分析理解,秉承公司技术能力、资金实力以及敢为人先的创新意识,加强与国内重点科研院所、工程机械制造企业进行战略协作,凭借广阔的市场资源,推动产品的研发与创新,形成了“生产一代、开发一代、预研一代”的新产品核心竞争模式,提高产品的核心竞争力。在国家“一带一路”政策的指引下,跟随主机厂全球化布局的脚步,长龄液压开启新征程。

Jiangsu Changling Hydraulic Co., Ltd. always pays attention to the differentiated demands of customers' products. Through the analysis and understanding of the market, while adhering to the company's technical ability, capital strength and innovative consciousness of being the first, it strengthens strategic cooperation with domestic key research institutes and construction machinery manufacturing enterprises. With its broad market resources, Changling Hydraulic strives to R&D and innovation of its products, forms to the new product core competition mode of "manufacturing this generation of products while developing the next generation and pre-research the next two generation", and improves the core competitiveness of products. Under the guidance of the national "Belt and Road Initiative" policy and the footsteps of the global arrangement of the main construction machinery companies, Changling Hydraulic has started a new journey.

COOPERATIVE PARTNER

合作伙伴

我们始终坚持以客户为中心而开展一切工作,秉持真心,时刻关注客户的需求。我们以强大的技术力量团队,根据不同客户的具体要求提供切实可行的技术方案,为客户提供满意的产品。

We always adhere to "Customer Focus" in marketing activities, uphold our sincerity and always focus on customer demands. With a strong technical team, we provide practical technical solutions according to the specific requirements of different customers, and provide customers with satisfactory products.

