

SPIDER TYPE AERIAL PLATFORM

21/24/27M

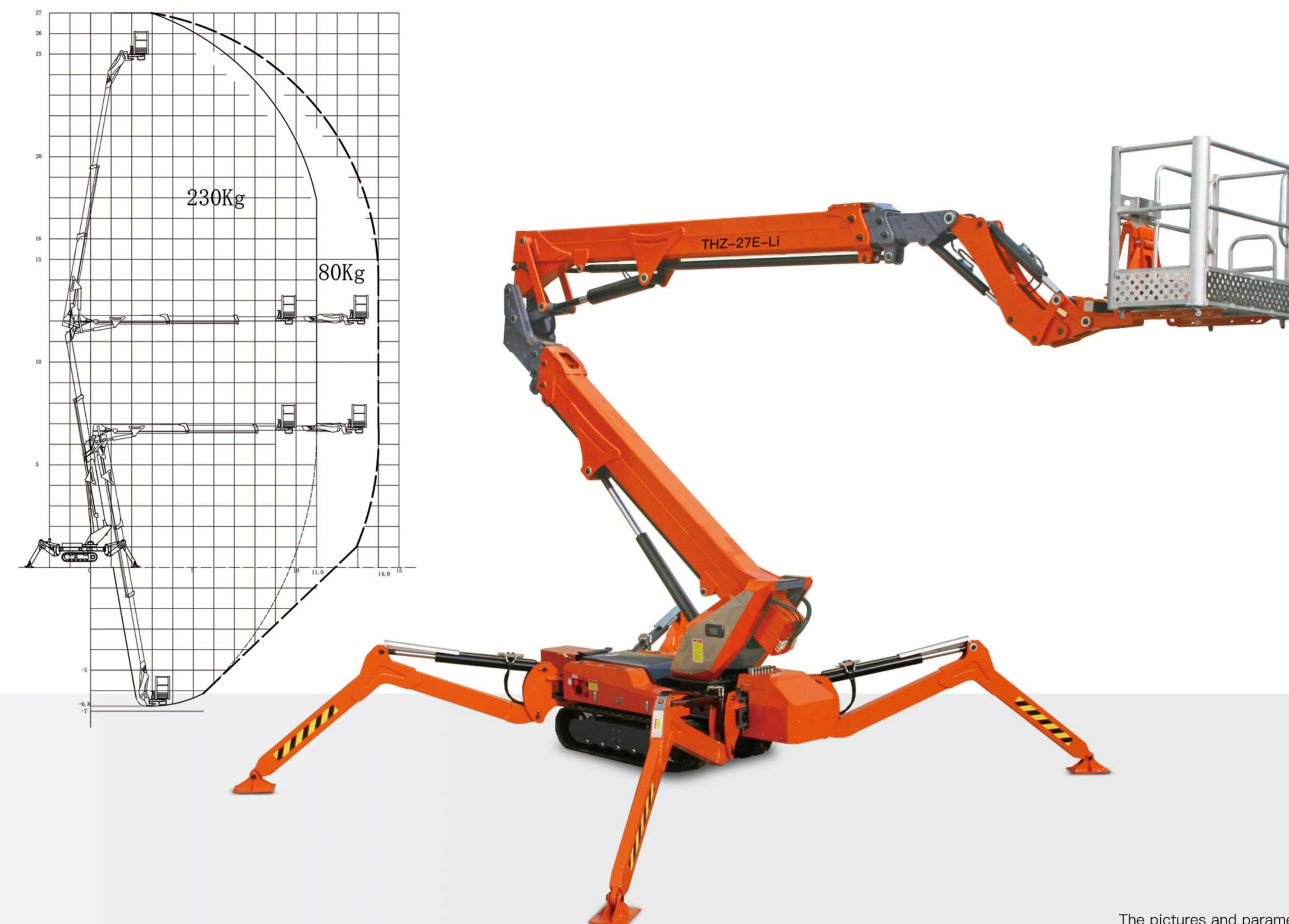
working height

PRODUCT FEATURES

- Ultra-narrow body, compact structure, good passability;
- Automatic leg leveling, safe and reliable;
- Rubber track walking, all-terrain use, flexible and convenient;
- Ac motor drive, high efficiency, large torque, long life;
- Pure electric design, no noise, zero emission, large capacity battery, durable;
- Dual-screen human-computer interaction, parameter setting, fault diagnosis, parameter reading and writing, system monitoring;
- Wireless remote control with precise proportional hydraulic control system, smooth operation, good micromobility;
- Double-layer telescopic tower arm, the crossing height is higher, the rigidity and flexibility of the high-strength boom is better, and the control is more stable.

PRODUCT CONFIGURATION

- Wireless remote control
- Hydraulic proportional system
- Emergency descent system
- Automatic leg leveling
- Automatic braking system
- Emergency stop button
- Fault diagnosis system
- Tilt protection system



The pictures and parameters are for reference only

TECHNICAL PARAMETER

21/24/27m working height				
Model number		THZ-21E-Li Motor drive	THZ-24E-Li Motor drive	THZ-27E-Li Motor drive
Max.working height	M	21	24	27
Total length	M	6.7	6.7	6.7
Total width	M	1.1	1.1	1.1
Total height	M	2.2	2.2	2.2
Rated load	Kg	230	230	230
Turntable rotation Angle	·	±355° discontinuous	±355° discontinuous	±355° discontinuous
Platform turning Angle	·	±90°	±90°	±90°
Max.climbing capacity	%	30	30	30
Travel speed (Folded state)	km/h	4	4	4
Operating form	·	Wireless remote control	Wireless remote control	Wireless remote control
Storage battery	·	48V/310Ah	48V/320Ah	48V/320Ah
Wheel size	·	230/48/86	230/48/86	230/48/86
Whole weight	Kg	4500	4690	4790

SPIDER TYPE AERIAL PLATFORM

15/17M

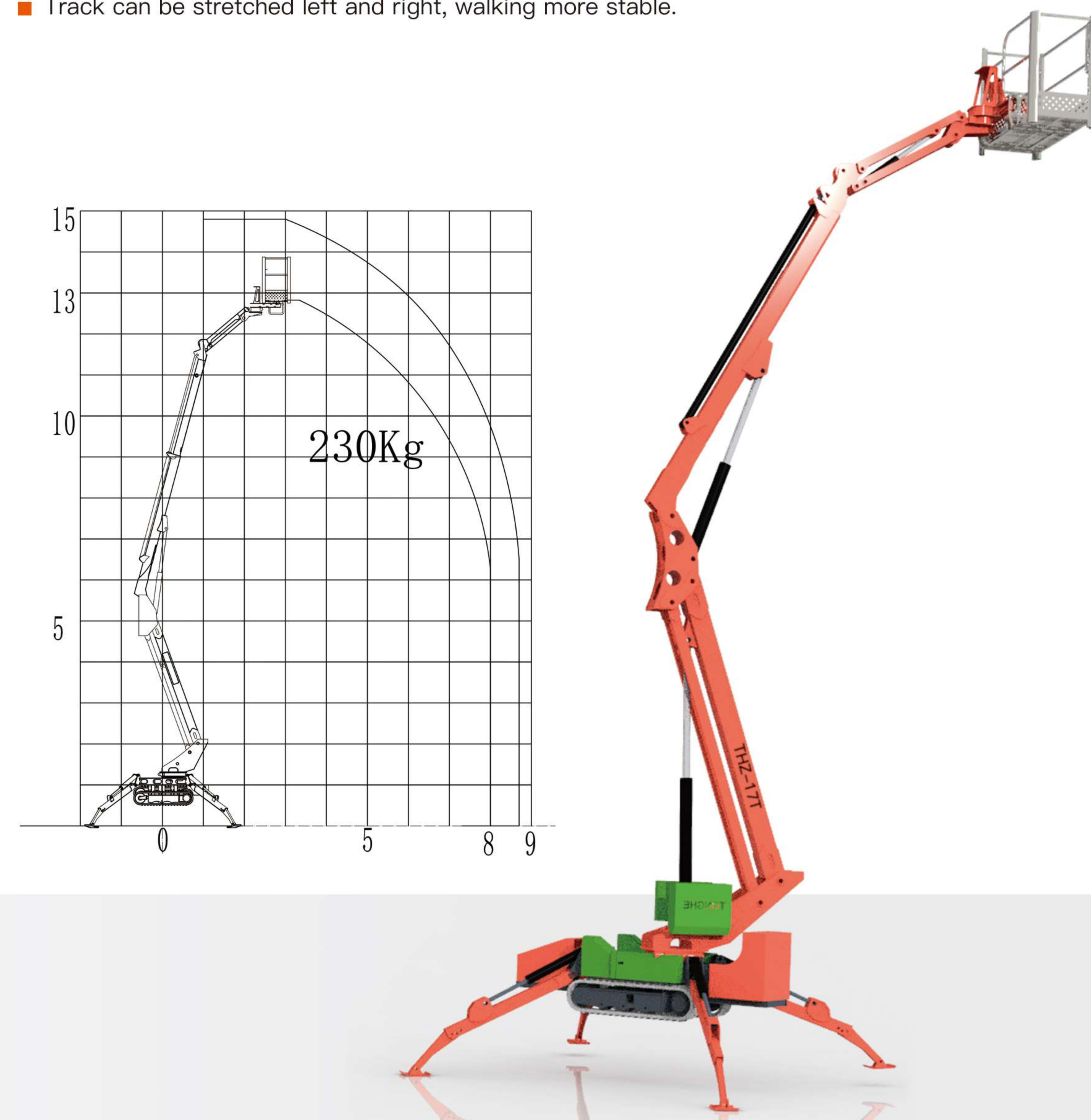
working height

PRODUCT FEATURES

- Ultra-narrow body, compact structure, good passability;
- Automatic leg leveling, safe and reliable;
- Seamless rubber track walking, all-terrain use, flexible and convenient;
- Dual-screen human-computer interaction, parameter setting, fault diagnosis, parameter reading and writing, system monitoring;
- Single-layer telescopic tower arm, the crossing height is higher, the rigidity and flexibility of the high-strength booms better, and the control is more stable;
- Track can be stretched left and right, walking more stable.

PRODUCT CONFIGURATION

- Wireless remote control
- Hydraulic proportional system
- Emergency descent system
- Automatic leg leveling
- Automatic braking system
- Emergency stop button
- Fault diagnosis system
- Tilt protection system



TECHNICAL PARAMETER

15/17m working height			
Model number		THZ-15T Liquid drive	THZ-17T Liquid drive
Max.working height	M	14.8	16.5
Total length	M	4.4	4.4
Total width	M	0.8	0.8
Total height	M	1.9	1.9
Rated load	Kg	230	230
Turntable rotation Angle	·	±355° discontinuous	±355° discontinuous
Platform turning Angle	·	±90°	±90°
Max.climbing capacity	%	30	30
Travel speed (Folded state)	km/h	2	2
Operating form	·	Wireless remote control	Wireless remote control
Storage battery	·	6V/255Ahx8	6V/255Ahx8
Wheel size	·	180/72/52	180/72/52
Whole weight	Kg	2650	2970

SPIDER TYPE AERIAL PLATFORM

18/20M

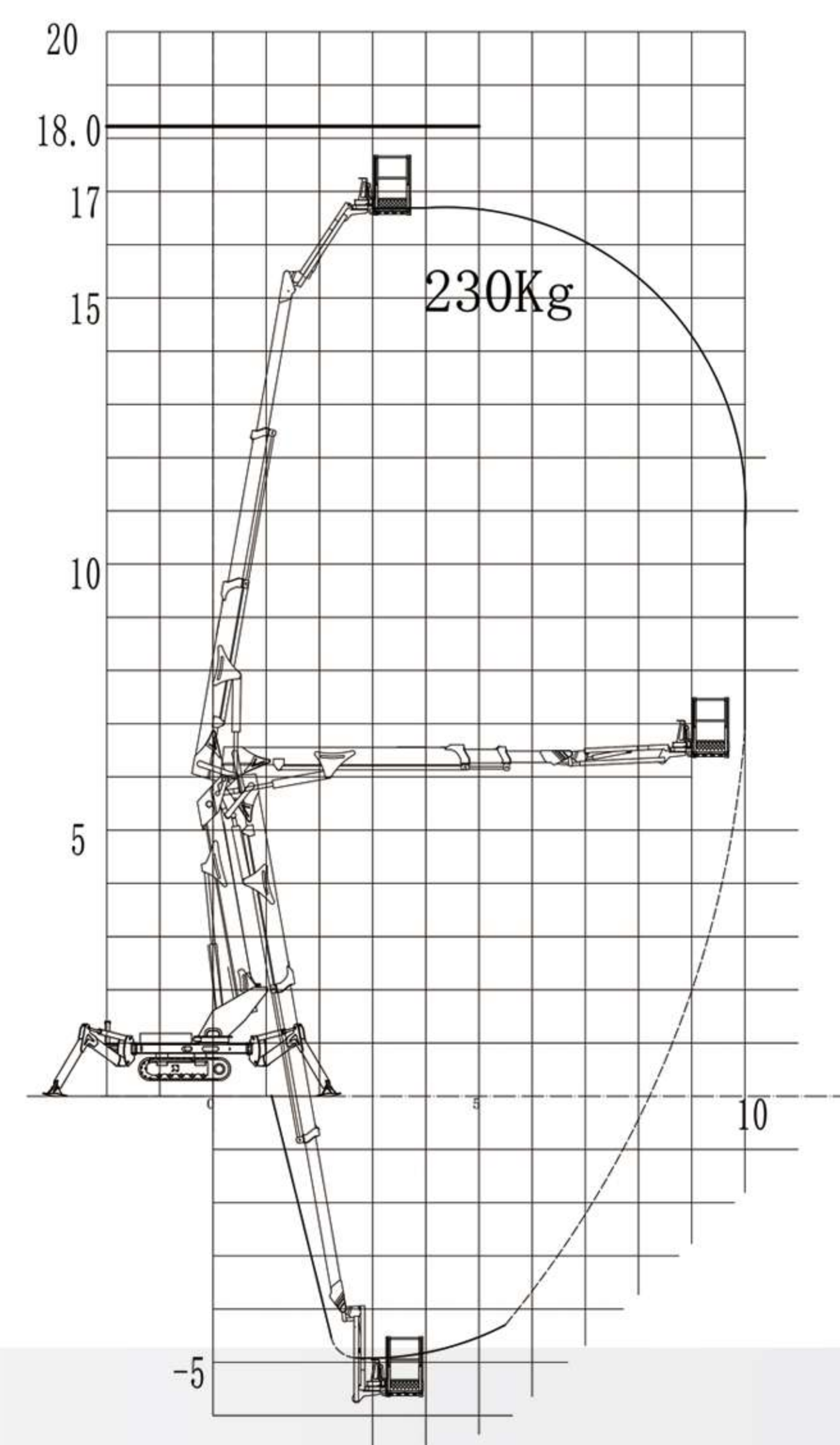
working height

PRODUCT FEATURES

- Ultra-narrow body, compact structure, good passability;
- Automatic leg leveling, safe and reliable;
- Diesel engine and motor dual power free switching;
- Seamless rubber track walking, all-terrain use, flexible and convenient;
- Dual-screen human-computer interaction, parameter setting, fault diagnosis, parameter reading and writing, system monitoring;
- Wireless remote control with precise proportional hydraulic control system, smooth operation, good micromobility;
- Single-layer telescopic tower arm, the crossing height is higher, the rigidity and flexibility of the high-strength boom is better, and the control is more stable;
- Track can be stretched left and right, walking more stable.

PRODUCT CONFIGURATION

- Wireless remote control
- Automatic braking system
- Hydraulic proportional system
- Emergency stop button
- Emergency descent system
- Fault diagnosis system
- Automatic leg leveling
- Tilt protection system



The pictures and parameters are for reference only

TECHNICAL PARAMETER

18/20m working height

Model number		THZ-18T Double power	THZ-20T Double power
Max.working height	M	18	20
Total length	M	4.97	5.8
Total width	M	0.8	1.14
Total height	M	1.95	2.21
Rated load	Kg	230	230
Turntable rotation Angle	°	±355° discontinuous	±355° discontinuous
Platform turning Angle	°	±90°	±90
Max.climbing capacity	%	30	30
Travel speed (Folded state)	km/h	2	2
Operating form	·	Wireless remote control	Wireless remote control
Storage battery	·	12V/45Ah	12V/45Ah
Diesel engine	·	KUBOTA D902-E3B	KUBOTA D902-E3B
Wheel size	·	200/72/55	200/72/55
Whole weight	Kg	3250	3600