



YANTAI TEDY CONSTRUCTION MACHINERY CO.,LTD

—PROFESSIONAL TOP 3 EXCAVATOR ATTACHMENT MANUFACTURER IN CHINA

# PRODUCTION PROCESS

1



Raw material

2



CNC Processing

3



Maching Center Processing

4



Milling machine

5



Cylinder Grinding

6



Piston Producing

7



Assembling

8



Packaging

9



Delivery

TEDY CONSTRUCTION MACHINERY



YANTAI TEDY CONSTRUCTION MACHINERY CO.,LTD

—PROFESSIONAL TOP 3 EXCAVATOR ATTACHMENT MANUFACTURER IN CHINA



YANTAI TEDY CONSTRUCTION MACHINERY

## Hydraulic Breaker Hammer

### Quality Creates Brand Innovation Shapes Future

Yantai TEDY Construction Machinery Co.,Ltd

Add: No2.Plant,Dongfang Stainless Steel IndustryPark,ETDZ,Yantai,Shandong,China

TEL(Whatsapp&Wechat): +86-158 0535 9243 +86-158 0535 4703 +86-158 0535 2495

Mail: sales01@tedymachinery.com

Website: www.yttcd.com

# COMPANY PROFILE

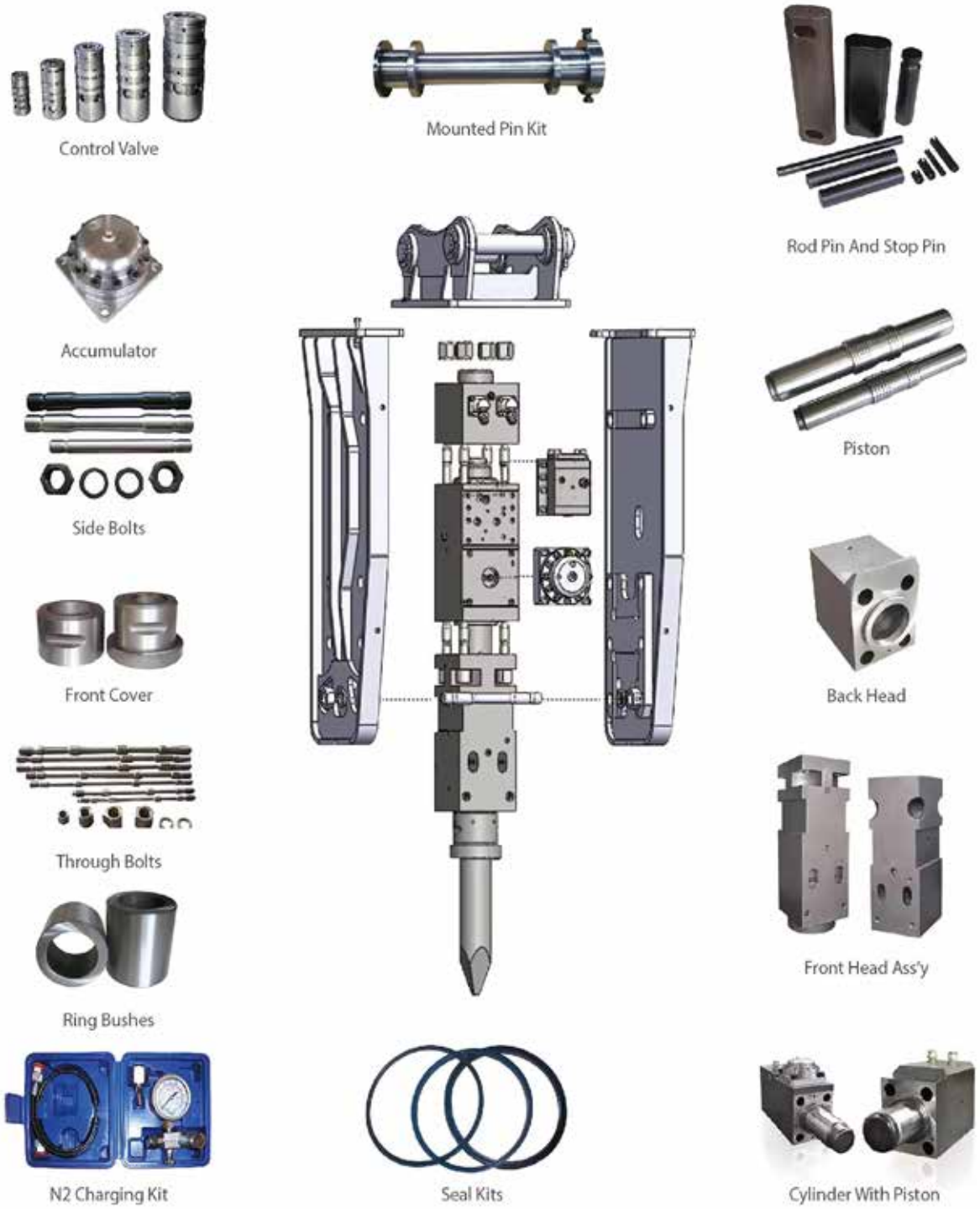
Yantai TEDY Construction Machinery (TDC China) is a professional TOP3 excavator hydraulic breaker hammer manufacturer since 2007, located in beautiful seaside city -Yantai.



Based on the principle of "Quality First, Innovation Paramount, Customer Highest, Service Foremost", we strictly control product quality during production. And at the same time, uncompromising commitment to high quality and thoughtful service wins us a good reputation and more coming partners. And we will continue to improve the products quality to serve the market in the world. We are sincerely looking forward to cooperate with you in the near future.



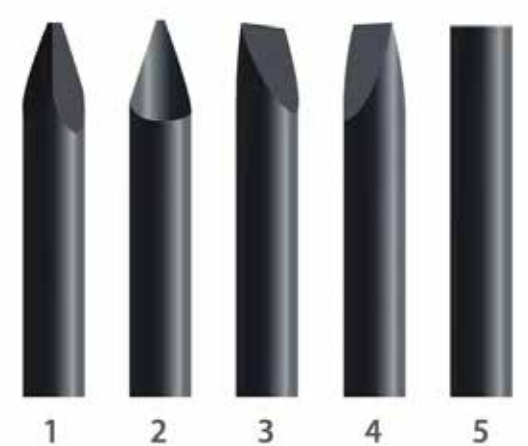
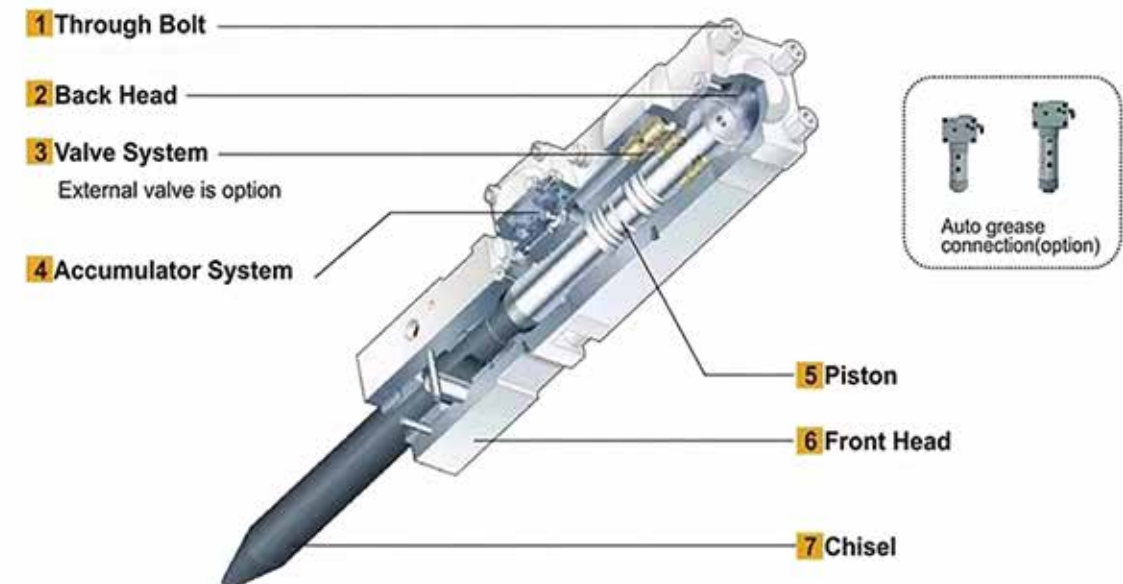
TEDY CONSTRUCTION MACHINERY CO.,LTD



model	weight	pressure	Oil flow	rate	chisel diameter	chisel length	hose diameter	suitable Excavator
Unit	Kg	kg/cm <sup>2</sup>	L/min	Bpm	mm	m	Inch	Ton
TDC40	53	90-120	15-25	800-1400	40	0.4	1/2	0.8-2.5
TDC45	120	90-120	20-30	700-1200	45	0.5	1/2	1.2-3
TDC53	170	90-120	25-50	600-1100	53	0.58	1/2	2.5-4.5
TDC68	300	110-140	40-70	500-900	68	0.7	1/2	4-7
TDC70	320	110-140	40-70	500-900	70	0.7	1/2	4-7
TDC75	400	120-150	50-90	400-800	75	0.72	1/2	6-9

TEDY CONSTRUCTION MACHINERY CO.,LTD

## STRUCTURE DESCRIPTION



CHISEL TYPE	APPLICATIONS
1 Moil Point Type(M)	Universal
2 Conical Type(C)	Multiple Purpose
3 H-wedge Type(H)	Trenching , Asphalt, Concrete
4 V-wedge Type(V)	Trenching, Asphalt, Concrete
5 Blunt Type(B)	Boulders Concrete

model	weight	pressure	Oil flow	rate	chisel diameter	chisel length	hose diameter	suitable Excavator
Unit	Kg	kg/cm <sup>2</sup>	L/min	Bpm	mm	m	Inch	Ton
TDC85	520	130-160	60-100	400-800	85	0.85	3/4	7-14
TDC100	800	150-170	80-110	350-700	100	1	3/4	10-18
TDC135	1980	160-180	130-150	400-600	135	1.3	1	18-26
TDC140	1980	160-180	120-180	350-500	140	1.3	1	18-26
TDC155	2700	160-180	180-240	300-450	155	1.5	5/4	28-35
TDC165	3200	160-180	200-260	250-400	165	1.6	5/4	30-40
TDC175	4200	160-180	210-290	200-350	175	1.6	5/4	35-50
TDC185	5700	180-220	220-270	200-250	185	1.7	5/4	35-55
TDC195	6000	180-220	220-290	180-200	195	1.8	5/4	40-55
TDC220	7000	190-230	290-340	120-200	210	1.8	3/2	60-80