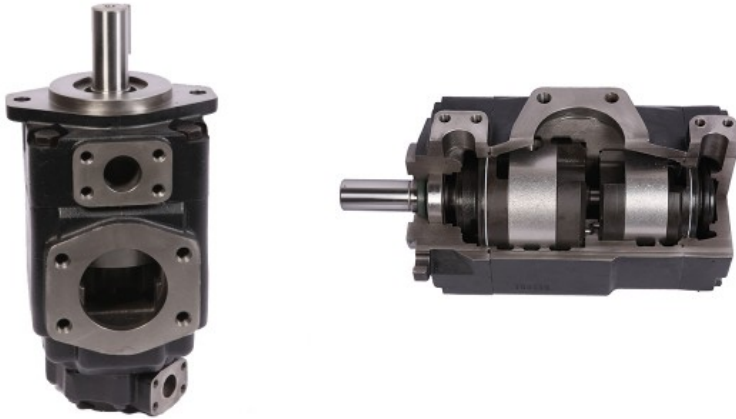


T6 Series Double Pumps



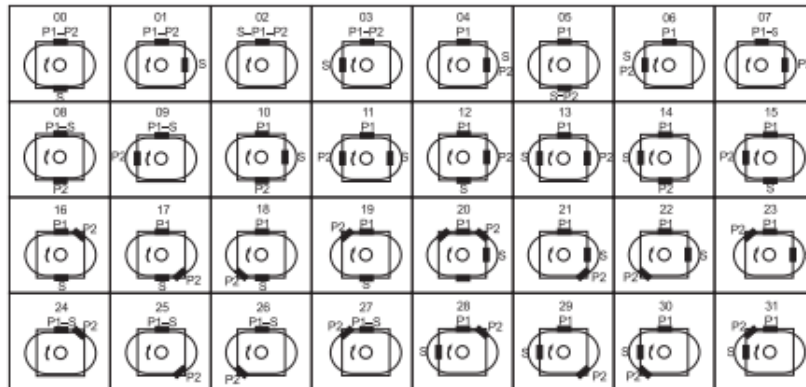
Model descriptions

T6CC	-25	-17	-1	R	02	-C	1	10
Series	Flow-shaft and Pump	Flow-cover and Pump	Shaft type	Rotation	Port Positions	Design number	Sealing Level	Port dimensions
T6CC	03,05,06,08,10,12, 14,17,20,22,25,28,31	03,05,06,08,10,12, 14,17,20,22,25,28,31	See of shaft	(viewed from shaft end of pump)	See pictures below	C	NBR Nitrile rubber Fluororubber	00, 01, 10, 11, See installation dimensions
T6DC	14,17,20,24,28,31, 35,38,42,45,50,61	03,05,06,08,10,12,14, 17,20,22,25,28,31						
T6EC	42,45,50,52,57, 62,66,72,85	03,05,06,08,10,12,14, 17,20,22,25,28,31		right hand for clockwise				No options
T6ED	42,45,50,52,57, 62,66,72,85	14,17,20,24,28,31,35, 38,42,45,50,61		left hand for counter-clockwise				

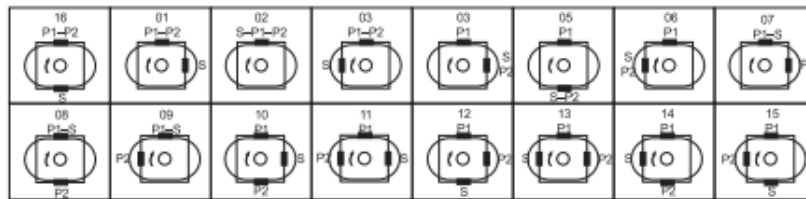
Specification is as the same as similar single pump, please refer to Page T6 single pump specification
Port positions(Views from shaft end of pump)

Port positions(Views from shaft end of pump)

T6CC, T6DC, T6EC

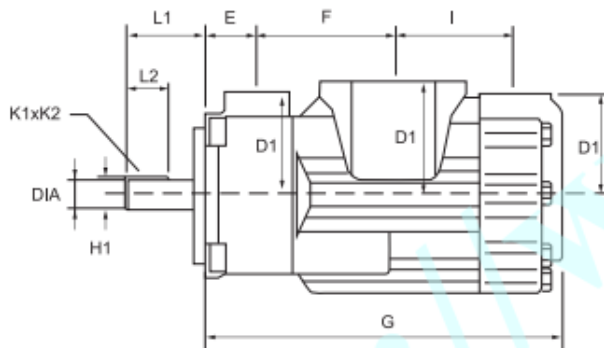
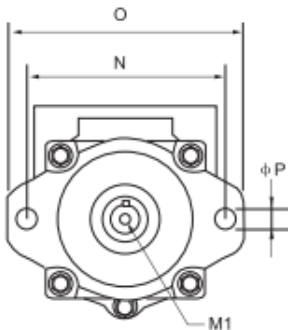
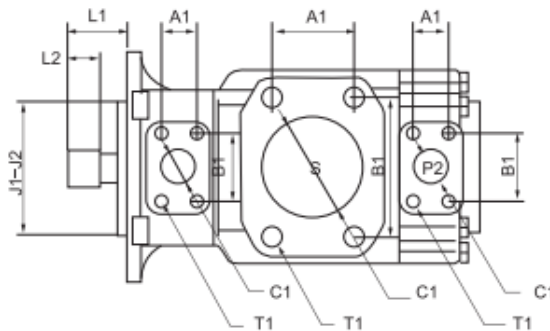


T6ED



Installation Dimensions

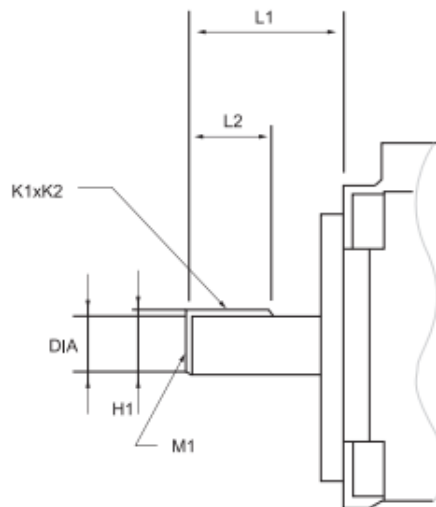
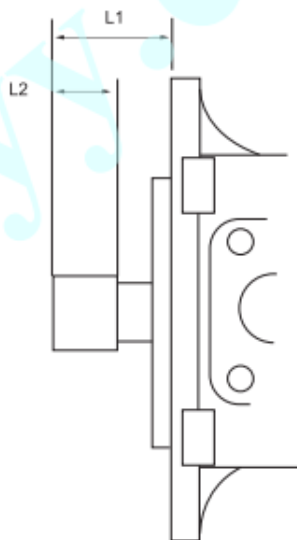
**T6CC
T6DC
T6EC
T6ED**



T6CC	
E	38,1
F	101,6
G	265,6
I	88,2
J1	101,60
J2	101,55
N	148,0
O	174,5
phi P	14,3
T6DC	
E	38,1
F	114,3
G	286,0
I	109,5
J1	127,00
J2	126,95
N	181,0
O	215,4
phi P	17,5
T6EC	
E	52,3
F	118,5
G	331,6
I	136,7
J1	127,00
J2	126,95
N	161,0
O	213,0
phi P	17,5
T6ED	
E	52,3
F	133,5
G	361,0
I	148,0
J1	127,00
J2	126,95
N	181,0
O	213,0
phi P	17,5

Oil port			Flange	Dimensions (mm)				
			A1	B1	ΦC1	D1	Thread	
T6CC	P1	1"	F08	26.2	52.4	25.4	76.2	3/8"-16UNC×19.0
	P2	01-11:3/4"	F06	22.2	47.7	19.0	76.2	3/8"-16UNC×19.0
		00-10:1"	F08	26.2	52.4	25.4	74.7	
	S	10-11:2-1/2"	F20	50.8	88.9	63.5	84.1	1/2"-13UNC×23.9
00-01:3"		F24	61.9	106.4	76.2		5/8"-11UNC×28.4	
T6DC	P1	1-1/4"	F10	30.2	58.7	31.8	82.6	7/16"-14UNC×22.3
	P2	1"	F08	26.2	52.4	25.0	74.7	3/8"-16UNC×19.0
	S	3"	F24	62.0	106.4	76.0	88.9	5/8"-11UNC×28.4
T6EC	P1	1-1/2"	F12	35.7	69.8	37.1	98.4	1/2"-13UNC×23.4
	P2	1"	F08	26.2	52.4	25.0	74.7	3/8"-16UNC×19.0
	S	3-1/2"	F28	69.9	120.6	88.9	102.4	5/8"-11UNC×28.4
T6ED	P1	1-1/2"	F12	35.7	69.8	37.1	98.4	1/2"-13UNC×23.4
	P2	1-1/4"	F10	30.2	58.7	29.5	101.4	7/16"-14UNC×22.3
	S	4"	F32	77.8	130.2	101.6	102.4	5/8"-11UNC×30.0

T6CC, T6DC, T6EC, T6ED



Model	Shaft code	Max torque(N.m)	L1	L2	DIA	K1×K2	H1	M1
T6CC	1	238	58.2	31.7	22.225/22.200	4.76×4.71	24.53	-
	2	357	71.4	38.1	25.4/25.370	6.35×6.30	28.22	M8×16
	3	545	45.5	25.5	SAE J498b Level 1, 16/32, 15 teeth			-
	4	343	40.7	24.5	SAE J498b Level 1, 16/32, 13teeth			-
T6DC	1	721	83.6	49.3	31.750-31.700	7.94×7.89	35.27	M10×20
	2	577	73.2	38.1	31.750-31.700	7.94×7.89	35.27	-
	3	=	55.7	38.0	SAE J498b Level 1, 12/24, 14 teeth			-
	4	=	77.7	48.0	SAE J498b Level 1, 12/24, 14 teeth			-
T6EC,T6ED	1	=	90.9	50.8	38.100-38.050	9.52×9.47	42.36	M10×20
	2	577	61.9	38.1	31.750-31.700	7.94×7.89	35.27	-
	3	=	55.7	38.0	SAE J498b Level 1, 12/24, 14 teeth			-
	4	=	62.2	31.5	SAE J498b Level 1, 12/24, 17 teeth			-

work at maximum flow and pressure

Product link : <https://www.zjkeister.com/t6-series-double-pumps.html>