



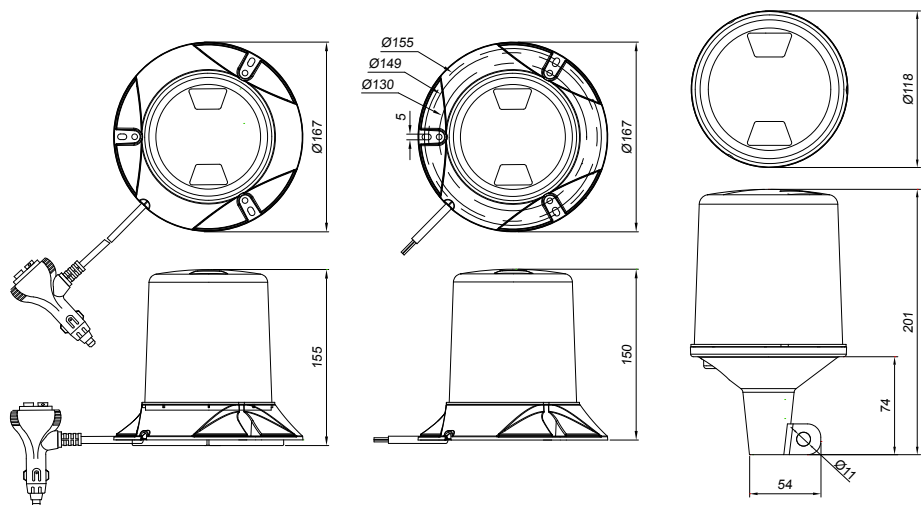
WA-606

FEATURES

- ECE R65 certificated.
- CISPR 25 Class 5 certificated.
- Magnet, screw and pipe mount optional.



Warning Lamp



Flash Patterns

Flash Patterns	
1	Single Flash, cycle: 400ms
2	Double Flash, cycle: 800ms
3	Triple Flash, cycle: 760ms
4	Quadruple Flash, cycle: 800ms
5	Rotate Flash, cycle: 400ms

Part NO.	Voltage	Power	Material	Mounting	Connection
WA-606C2A-C5	DC 10-30V	Theoretical: 32 LEDs * 1W Actual: 30W	Lens:PC Housing:PC	Magnet/ Screw/ DIN-Pole	Magnet Mounting: 2500mm Switch Screw Mounting: 300mm Cable DIN-Pole: Connector