

NEBERFUL®



HYDRAULIC VALVE

SINCE 1988



PROFESSIONAL



FOCUS



RELIABLE

ONEDERFUL® HYDRAULIC

CONTENTS



P SERIES MONOBLOCK DIRECTIONAL CONTROL VALVE 02/08

- ▶ P40 Monoblock Directional Control Valve 03/04
- ▶ P80 Monoblock Directional Control Valve 05/06
- ▶ P120 Monoblock Directional Control Valve 07/08

DCV SERIES SECTIONAL DIRECTIONAL CONTROL VALVE 09/18

- ▶ DCV60 Sectional directional valve 11/12
- ▶ DCV100 Sectional directional valve 13/14
- ▶ DCV140 Sectional directional valve 15/16
- ▶ DCV200 Sectional directional valve 17/18

SD SERIES MONOBLOCK/SECTIONAL DIRECTIONAL CONTROL VALVE 19/30

- ▶ SD5 Series Monoblock Directional Valve 21/22
- ▶ SD8 Series Hydraulic Sectional Directional Valve 23/24
- ▶ SD11 Series Hydraulic Sectional Directional Valve 25/26
- ▶ SD25 Series Hydraulic Sectional Directional Valve 27/28
- ▶ SD180 Series Hydraulic Sectional Directional Valve 29/30

HYDRAULIC DIRECTIONAL VALVE SERIES 31/36

- Solenoid directional valve
 - ▶ WE6... /32
 - ▶ WE6... /32
 - ▶ WE6... /32
 - ▶ MH6WE6 /32
- Hydraulic Solenoid directional valve
 - ▶ WE10... /33
 - ▶ WE10... /33
 - ▶ WE10... /33
- Explosion Isolation solenoid directional valve
 - ▶ G1WE6... /33
 - ▶ G1WE10... /34
- Explosion Isolation Electro-hydraulic directional valve
 - ▶ G1WEH... /34
- Electro-Hydraulic directional valve
 - ▶ WEH... /34
- Manual Hydraulic Directional Valve

HYDRAULIC DIRECTIONAL VALVE SERIES 31/36

- ▶ WMM6... /34
Solenoid directional valve with emergency handle
- ▶ WEMM... /35
Check Valve
- ▶ S... /35
- ▶ S... /35
Modular Hydraulic Check Valve
- ▶ Z2S... /35
- ▶ SV/SL... /36

PRESSURE VALVE SERIES 37/40

- Direct Operated Relief Valve
 - ▶ DBD6P /38
- Modular Relief Valve
 - ▶ ZDB... /38
- Pilot Relief Valve / Solenoid Pilot Relief Valve
 - ▶ DB... /38
 - ▶ DBW... /38
- Solenoid Pilot Relief Valve
 - ▶ DBW... /39
- Pilot Operated Sequence Valve
 - ▶ DZ... /39
 - ▶ DZ...-3X /39
- Pilot Operated Unloading Valve
 - ▶ DA... /40
 - ▶ DAW10...-3X /40
- Pilot Operated Reducing Valve
 - ▶ DR... /40

FLOW VALVE SERIES 41/42

- Restrictor Valve/ Check Restrictor Valve
 - ▶ DV/DRV/DRVP/DVP... /42
- Modular Restrictive Check Valve
 - ▶ Z2FS... /42
- Two Ways Flow Control Valve
 - ▶ 2FRM5/6... /42
 - ▶ 2FRM10/16... /42

ONEDERFUL® HYDRAULIC

P SERIES MONOBLOCK DIRECTIONAL CONTROL VALVE



As a masterpiece of general-purpose monoblock valve P series directional control valve is a combination of advanced technology, excellent performance, diversified applications and safety protection. It mainly has the following characteristics: Advanced technology, excellent performance-P series directional control valves bring together advanced hydraulic control technology to ensure its outstanding performance.

Diversified application areas-P series multi-way directional valves are popular for their excellent versatility and are widely used in agricultural machinery, small and medium-sized construction machinery and special vehicles etc.

Flexible control mode-P series multi-way directional valves provide you with a variety of control options, including manual, pneumatic, hydraulic, solenoid, electro-pneumatic, electro-hydraulic control and so on. This kind of flexibility makes the P series directional control valve

can adapt to different operational needs, thus providing a more convenient control experience.

High pressure carry-overport design-The high pressure carry-over port design gives it the ability to provide hydraulic power source for other hydraulic components, further enhancing the overall performance and flexibility of the system.

P40 series



P80 series



P120 series





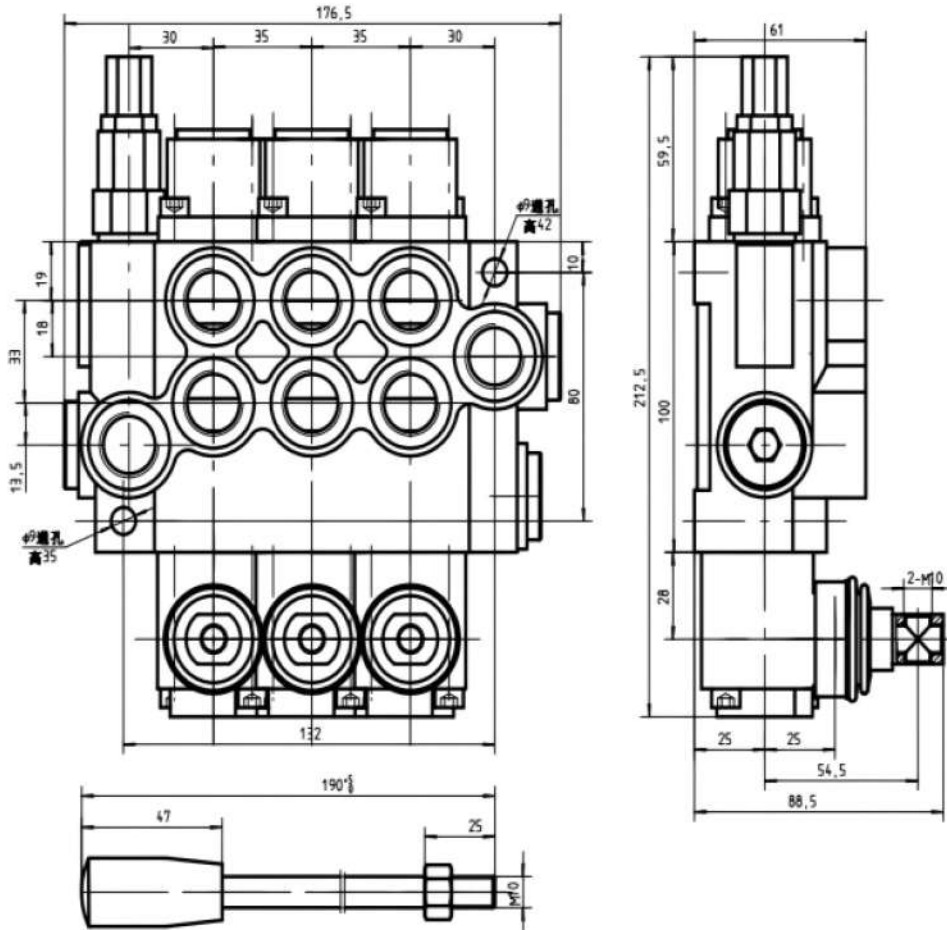
P40 MONOBLOCK DIRECTIONAL CONTROL VALVE



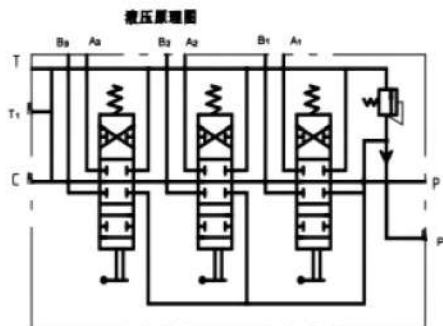
▶ TECHNIAL PARAMETERS

AMBIENT TEMPERATURE RANGE	-40°C to +80°C (-40°F to +176°F)
OPERATING VISCOSITY RANGE	15 - 75 mm ² /s (15 cSt to 75 cSt)
MAX PRESSURE	250 bar (3600 psi)
RATED FLOW	40 L/min (10.5 US gpm)
STRUCTURE TYPE	Monoblock valve
SECTION	1 Section,2 Section,3 Section,4 Section,5 Section,6 Section,7 Section

► DRAWING & DIMENSIONS



► HYDRAULIC SCHEMATIC



- Technical Parameter
1. Rated flow: 40L/min
 2. Max pressure: 250bar
Relief valve setting pressure: 180bar
 3. Port size: PTAB-G1/2



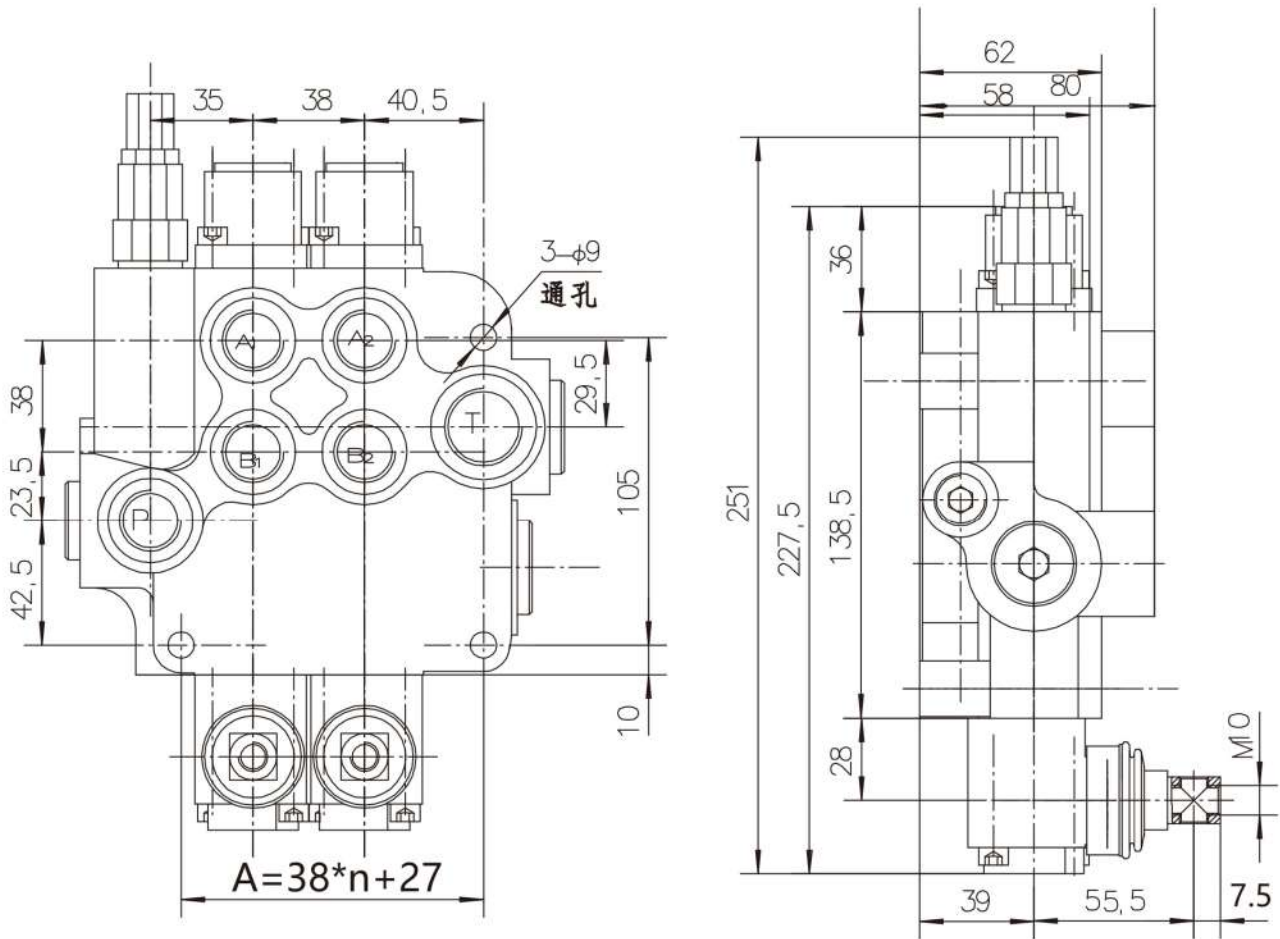
P80 MONOBLOCK DIRECTIONAL CONTROL VALVE



▶ TECHNIAL PARAMETERS

AMBIENT TEMPERATURE RANGE	-40°C to +80°C (-40°F to +176°F)
OPERATING VISCOSITY RANGE	15 - 75 mm ² /s (15 cSt to 75 cSt)
MAX PRESSURE	250 bar (3600 psi)
RATED FLOW	80 L/min (10.5 US gpm)
STRUCTURE TYPE	Monoblock valve
SECTION	1 Section,2 Section,3 Section,4 Section,5 Section,6 Section,7 Section

► DRAWING & DIMENSIONS





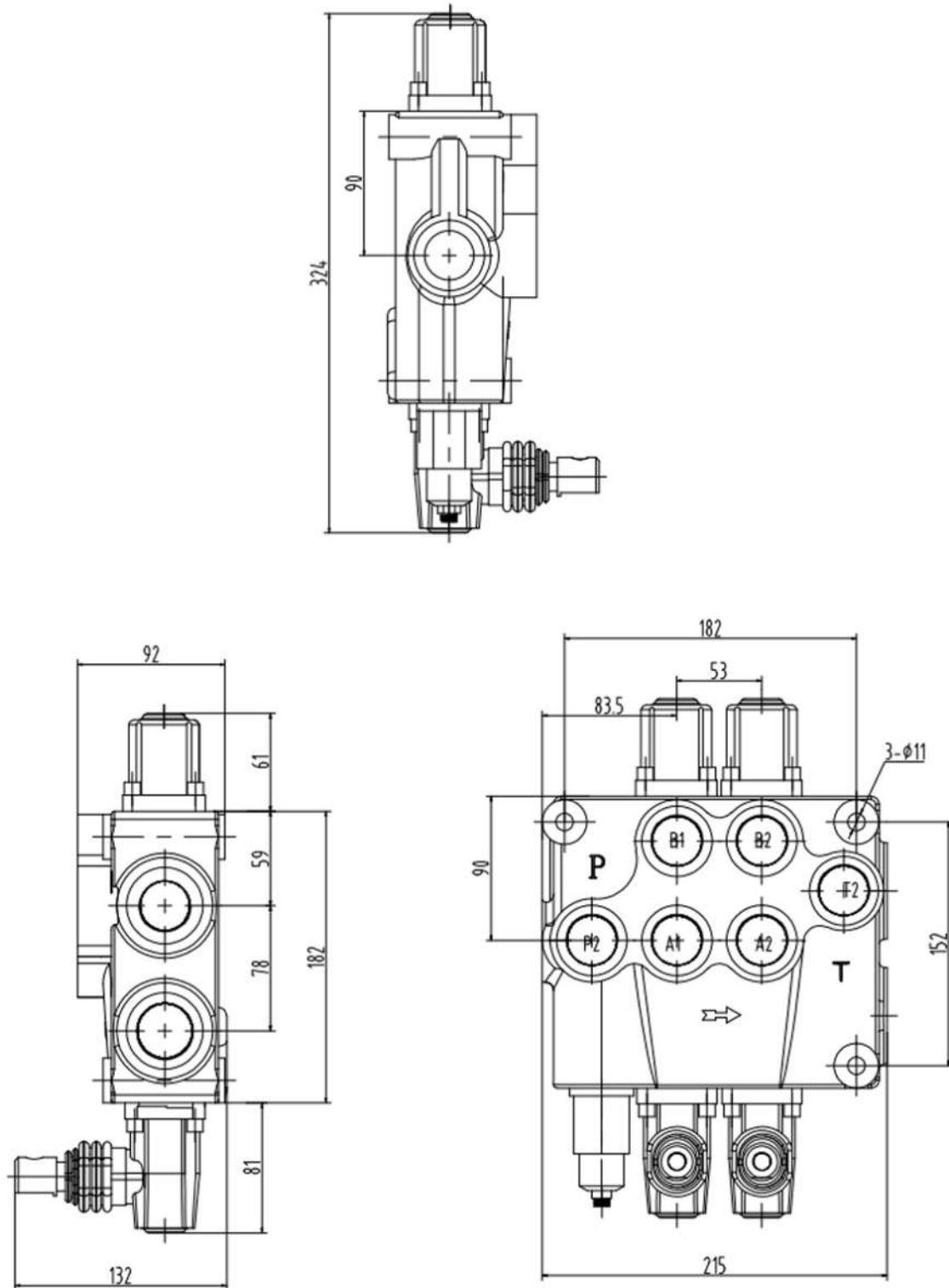
P120 MONOBLOCK DIRECTIONAL CONTROL VALVE



▶ TECHNIAL PARAMETERS

AMBIENT TEMPERATURE RANGE	-40°C to +80°C (-40°F to +176°F)
OPERATING VISCOSITY RANGE	15 - 75 mm ² /s (15 cSt to 75 cSt)
MAX PRESSURE	250 bar (3600 psi)
RATED FLOW	120 L/min (31.7 US gpm)
STRUCTURE TYPE	Monoblock valve
SECTION	1 Section,2 Section,3 Section,4 Section

► DRAWING & DIMENSIONS




WENDEFU[®] HYDRAULIC

DCV SERIES SECTIONAL DIRECTIONAL CONTROL VALVE



DCV series directional control valve is a high-performance product with a wide range of applications in construction machinery, sanitation machinery and drilling machinery. They are characterized by high working pressure, compact structure, good opening and closing characteristics of safety and overload valves, and good versatility.

- 1. Outstanding working pressure capability.
- 2. Easy to install maintain and repair
- 3. The excellent opening and closing characteristics of the safety and overload valves
- 4. Excellent versatility and are suitable for a wide range of machinery and equipment.

In terms of control methods, we offer a wide range of options, including Manual, Pneumatic, Electro-



pneumatic, Solenoid,Hydraulic,Eiectro-hydraulic etc. No matter which control method you prefer, we can provide the corresponding products to meet your requirements. In addition, the DCV series multiway directional valves have an over-bridge function that provides a hydraulic power souce for other hydraulic components. This facilitates the operation of the entire hydraulic system and ensures an efficient and coordinated system. choosing DCV series multiway directional valves will bring you higher efficiency, greater safety and more reliable operating experience in your work.

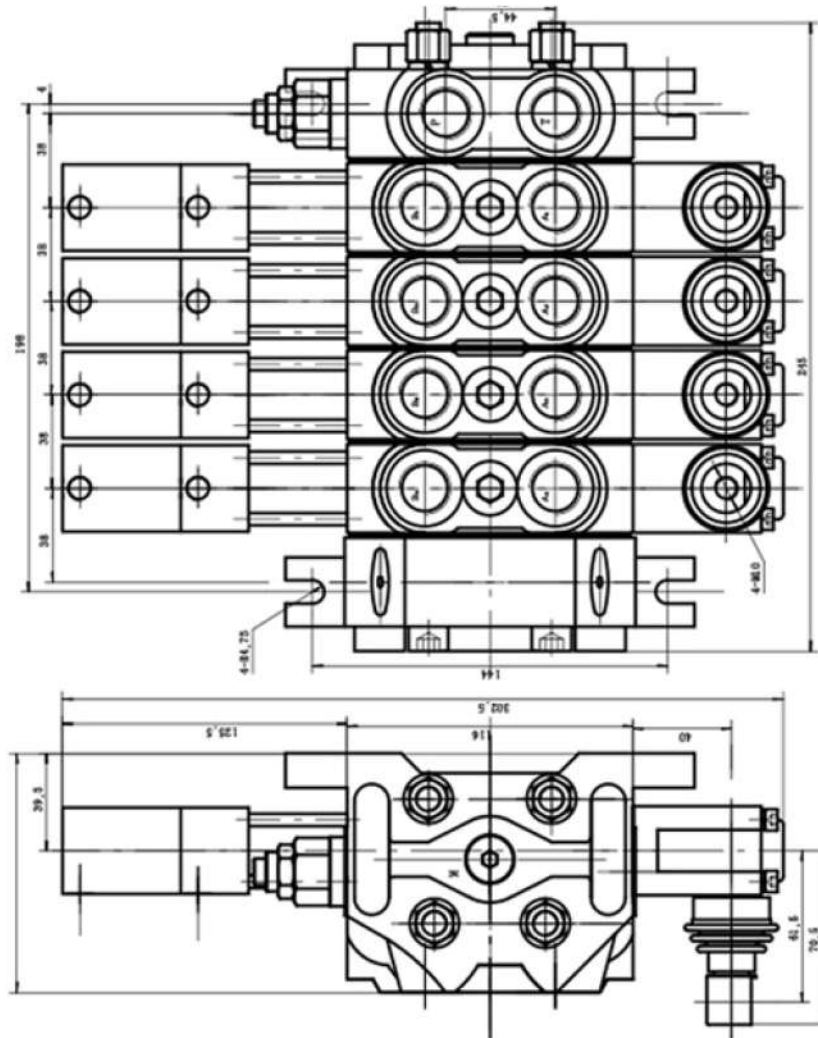
DCV60 SECTIONAL DIRECTIONAL VALVE



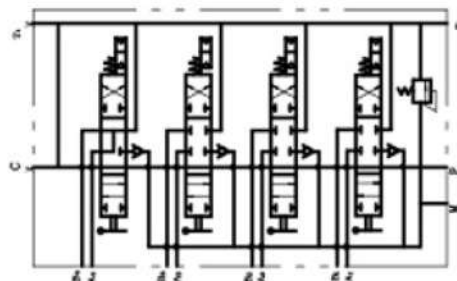
TECHNIAL PARAMETERS

Control Method	pneumatic
Presure Medium	Mineral oil based hydraulic oil
Nominal Flow	60 L/min
Viscosity Range	12 CST-400 CST
Operating Pressure	350 bar (35 MPa)
Internal Leakage	15 cc/min at 160 bar, 50°C
Ambient Temp	-40°C to +80°C (-40°F to +176°F)
Valve Structure	Sectional Valve
Valve Surface	Phosphating treating
Valve Sections	1-12 Sections
Rustproof Level	Neutral salt spray test, 48hours

► DRAWING & DIMENSIONS



► HYDRAULIC SCHEMATIC



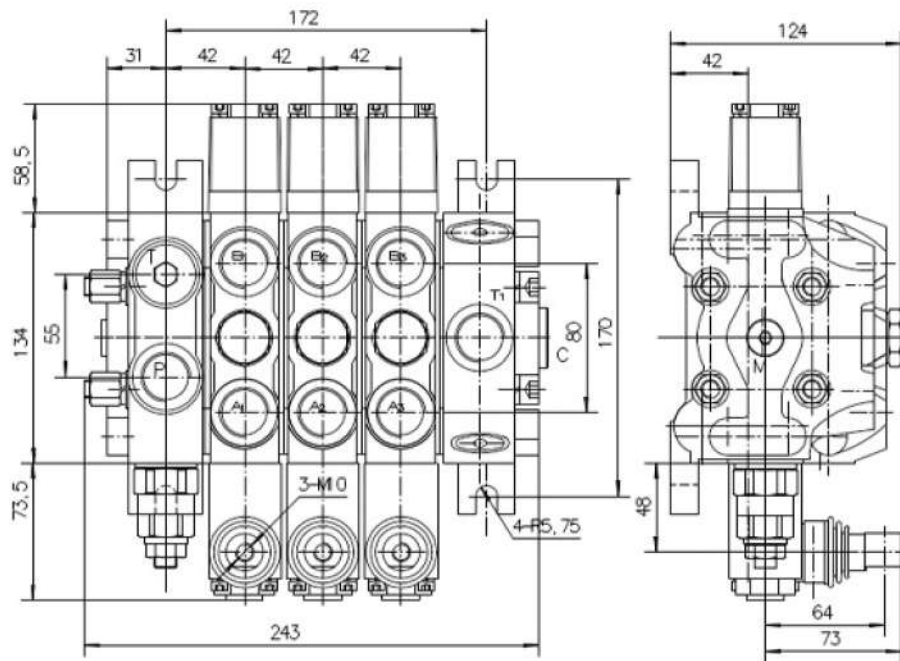
DCV100 SECTIONAL DIRECTIONAL VALVE



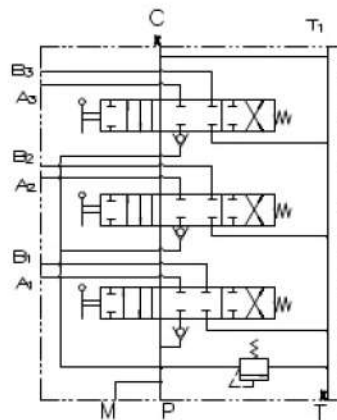
TECHNIAL PARAMETERS

Control Method	manual
Presure Medium	Mineral oil based hydraulic oil
Nominal Flow	100 L/min
Viscosity Range	12 CST-400 CST
Operating Pressure	350 bar (35 MPa)
Internal Leakage	15 cc/min at 160 bar, 50°C
Ambient Temp	-40°C to +80°C (-40°F to +176°F)
Valve Structure	Sectional Valve
Valve Surface	Phosphating treating
Valve Sections	1-12 Sections
Rustproof Level	Neutral salt spray test, 48hours

► DRAWING & DIMENSIONS



► HYDRAULIC SCHEMATIC



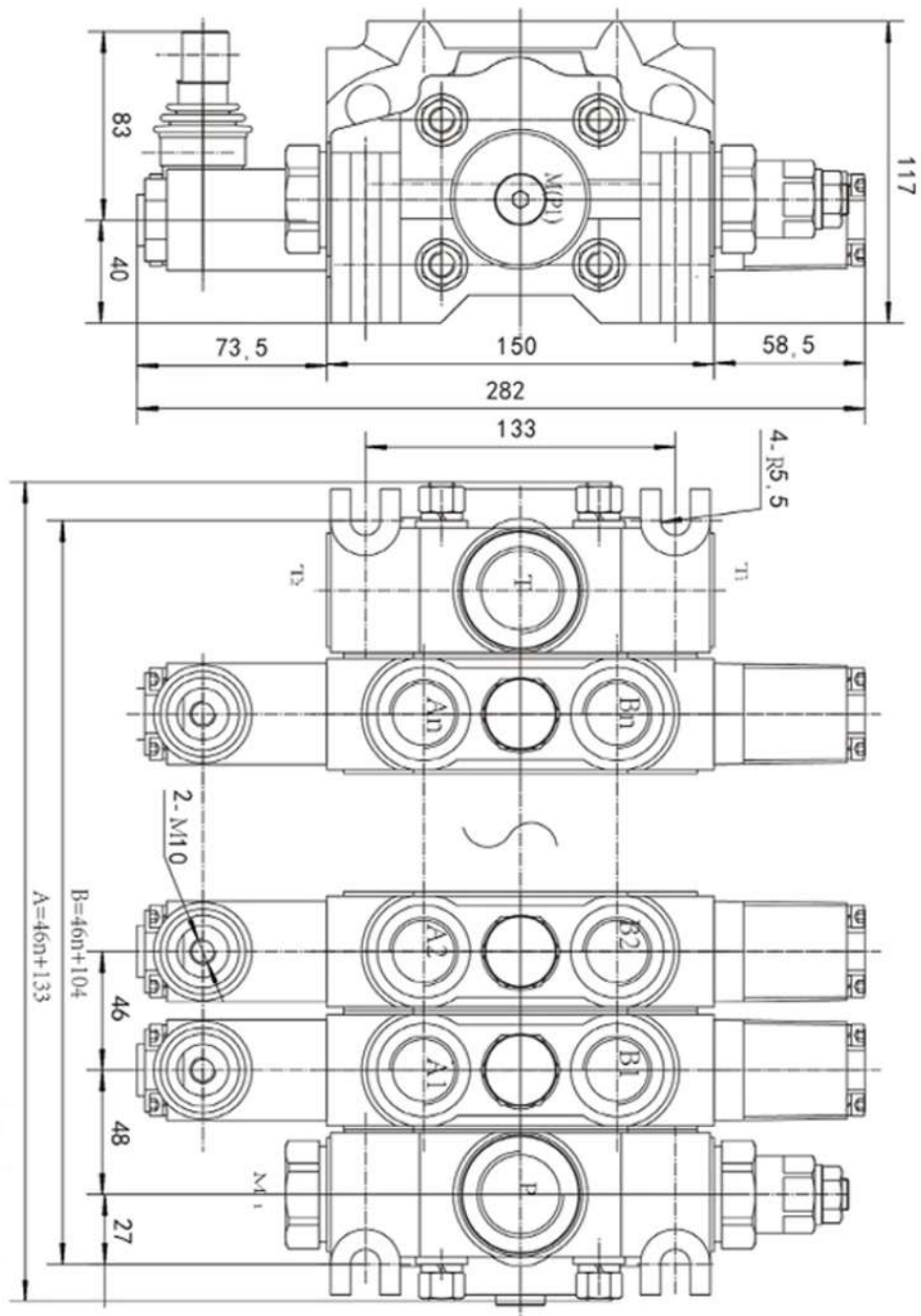
DCV140 SECTIONAL DIRECTIONAL VALVE



TECHNIAL PARAMETERS

Control Method	manual
Presure Medium	Mineral oil based hydraulic oil
Nominal Flow	140 L/min
Viscosity Range	12 CST-400 CST
Operating Pressure	350 bar (35 MPa)
Internal Leakage	15 cc/min at 160 bar, 50°C
Ambient Temp	-40°C to +80°C (-40°F to +176°F)
Valve Structure	Sectional Valve
Valve Surface	Phosphating treating
Valve Sections	1-12 Sections
Rustproof Level	Neutral salt spray test, 48hours

► DRAWING & DIMENSIONS



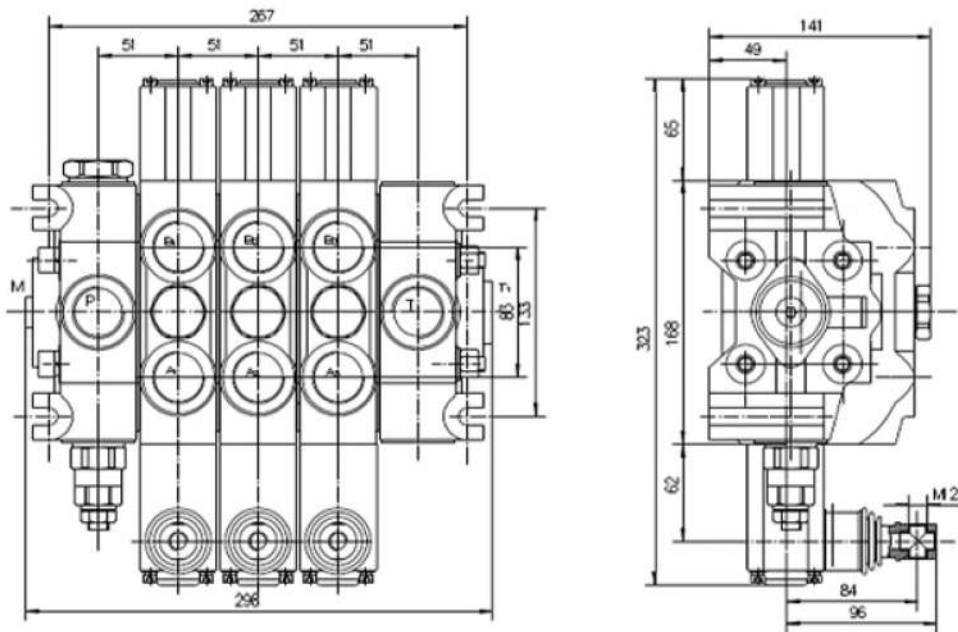
DCV200 SECTIONAL DIRECTIONAL VALVE



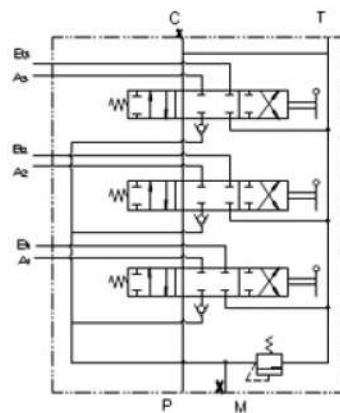
TECHNIAL PARAMETERS

Control Method	manual
Presure Medium	Mineral oil based hydraulic oil
Nominal Flow	200 L/min
Viscosity Range	12 CST-400 CST
Operating Pressure	350 bar (35 MPa)
Internal Leakage	15 cc/min at 160 bar, 50°C
Ambient Temp	-40°C to +80°C (-40°F to +176°F)
Valve Structure	Sectional Valve
Valve Surface	Phosphating treating
Valve Sections	1-12 Sections
Rustproof Level	Neutral salt spray test, 48hours

► DRAWING & DIMENSIONS



► HYDRAULIC SCHEMATIC




WENDEFU[®] HYDRAULIC

SD SERIES MONOBLOCK / SECTIONAL DIRECTIONAL CONTROL VALVE



SD series multiway directional valves are a high-performance product with a wide range of applications in construction machinery , sanitation machinery and drilling machinery . They are characterized by high working pressure , compact structure , good opening and closing characteristics of safety and overload valves , and good versatility.

- 1. Outstanding working pressure capability .
- 2. Easy to install maintain and repair .
- 3. The excellent opening and closing characteristics of the safety and pverload valves
- 4. Excellect versatility and suitable for a wide range of the machinery and equipment .



In terms of control methods , we offer a wide range options , including Manual ,Pneumatice , Electro-Pneumatic , Solenoid , Hydraulic , Electro-hydraulic , etc . No matter which control matherd you prefer , we can provide the corresponding products to meet your requirments .

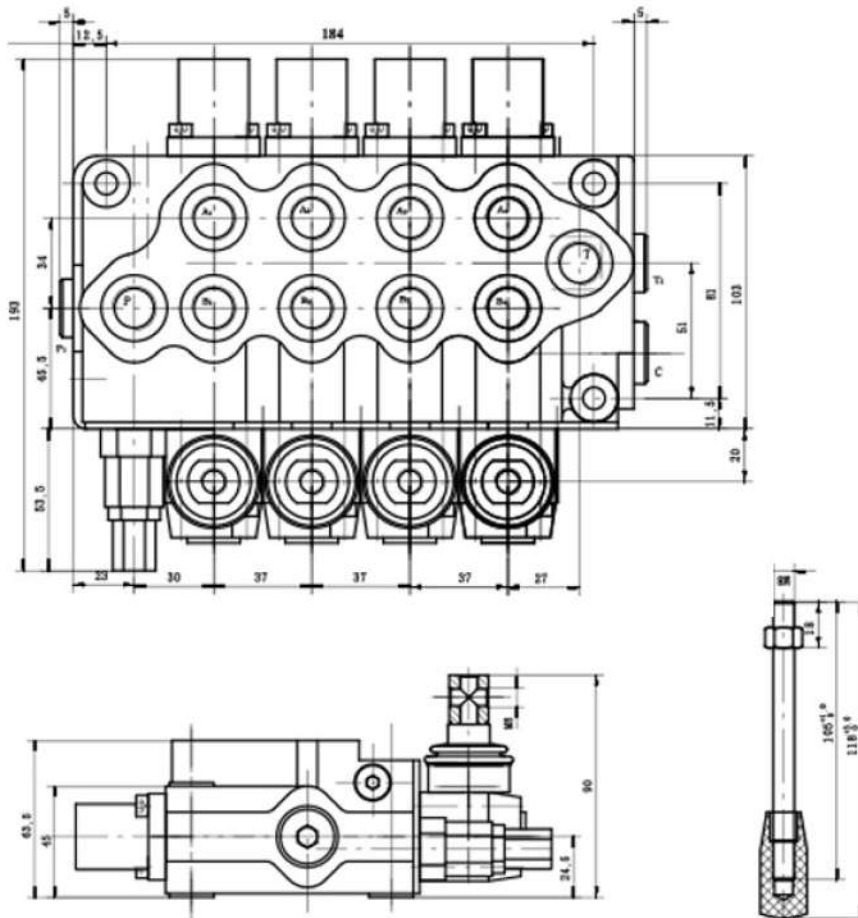
SD5 SERIES MONOBLOCK DIRECTIONAL VALVE



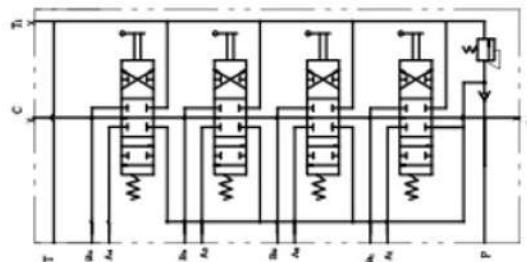
TECHNIAL PARAMETERS

Control Method	manual
Presure Medium	Mineral oil based hydraulic oil
Nominal Flow	45 L/min
Viscosity Range	12 CST-400 CST
Operating Pressure	250 bar (25 MPa)
Internal Leakage	15 cc/min at 160 bar, 50°C
Ambient Temp	-40°C to +80°C (-40°F to +176°F)
Valve Structure	Monoblock Valve
Valve Surface	Phosphating treating
Valve Sections	1-12 Sections
Rustproof Level	Neutral salt spray test, 48hours

▶ DRAWING & DIMENSIONS



▶ HYDRAULIC SCHEMATIC





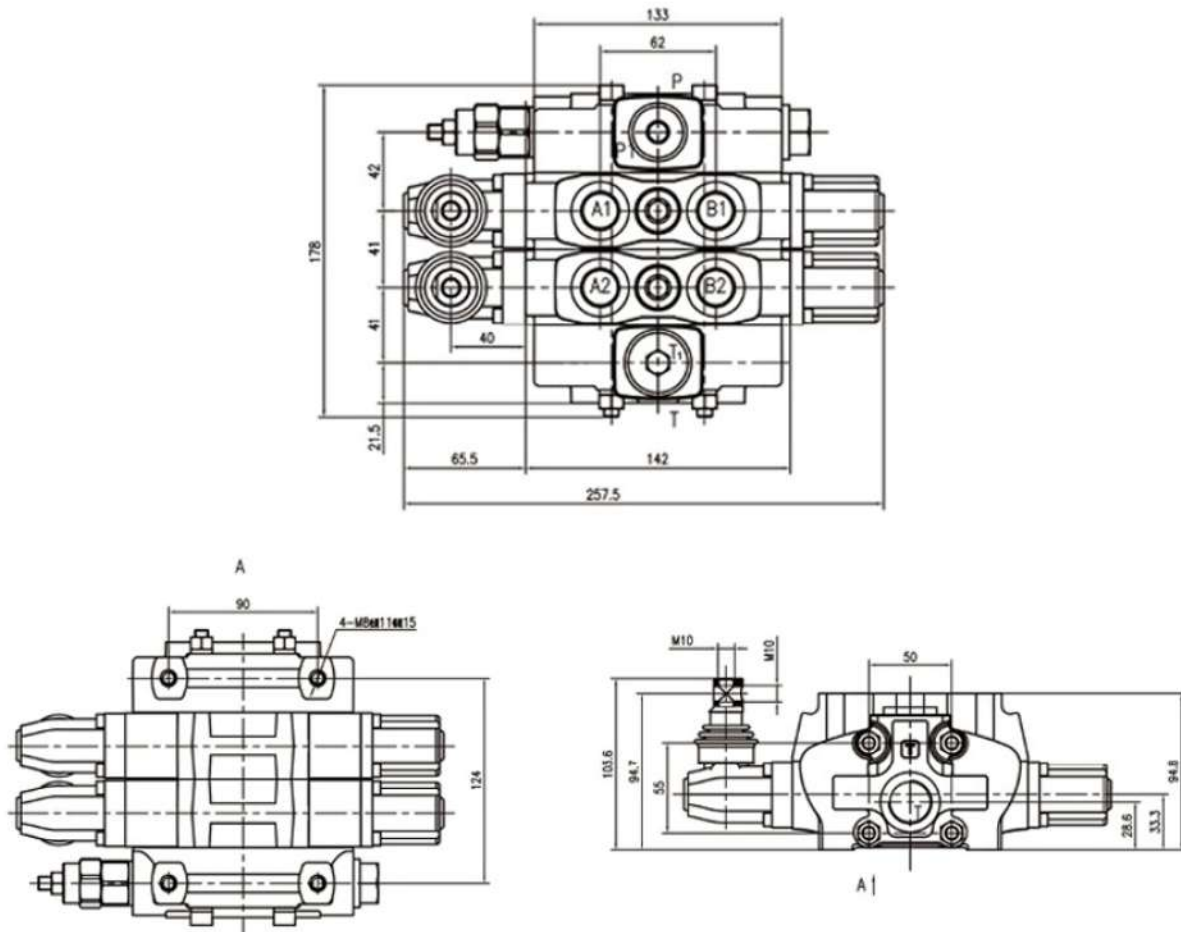
SD8 SERIES HYDRAULIC SECTIONAL DIRECTIONAL VALVE



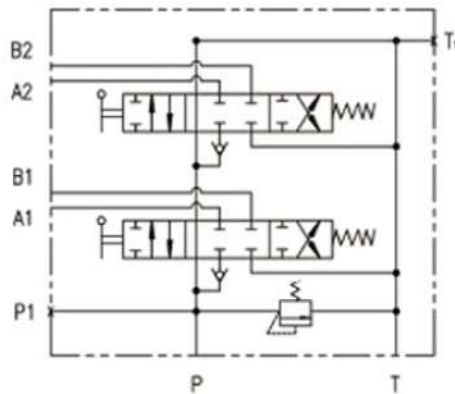
▶ TECHNICAL PARAMETERS

Control Method	manual
Pressure Medium	Mineral oil based hydraulic oil
Nominal Flow	80 L/min
Viscosity Range	12 CST-400 CST
Operating Pressure	315 bar (35 MPa)
Internal Leakage	15 cc/min at 160 bar, 50°C
Ambient Temp	-40°C to +80°C (-40°F to +176°F)
Valve Structure	Sectional Valve
Valve Surface	Phosphating treating
Valve Sections	1-12 Sections
Rustproof Level	Neutral salt spray test, 48hours

► DRAWING & DIMENSIONS



► HYDRAULIC SCHEMATIC





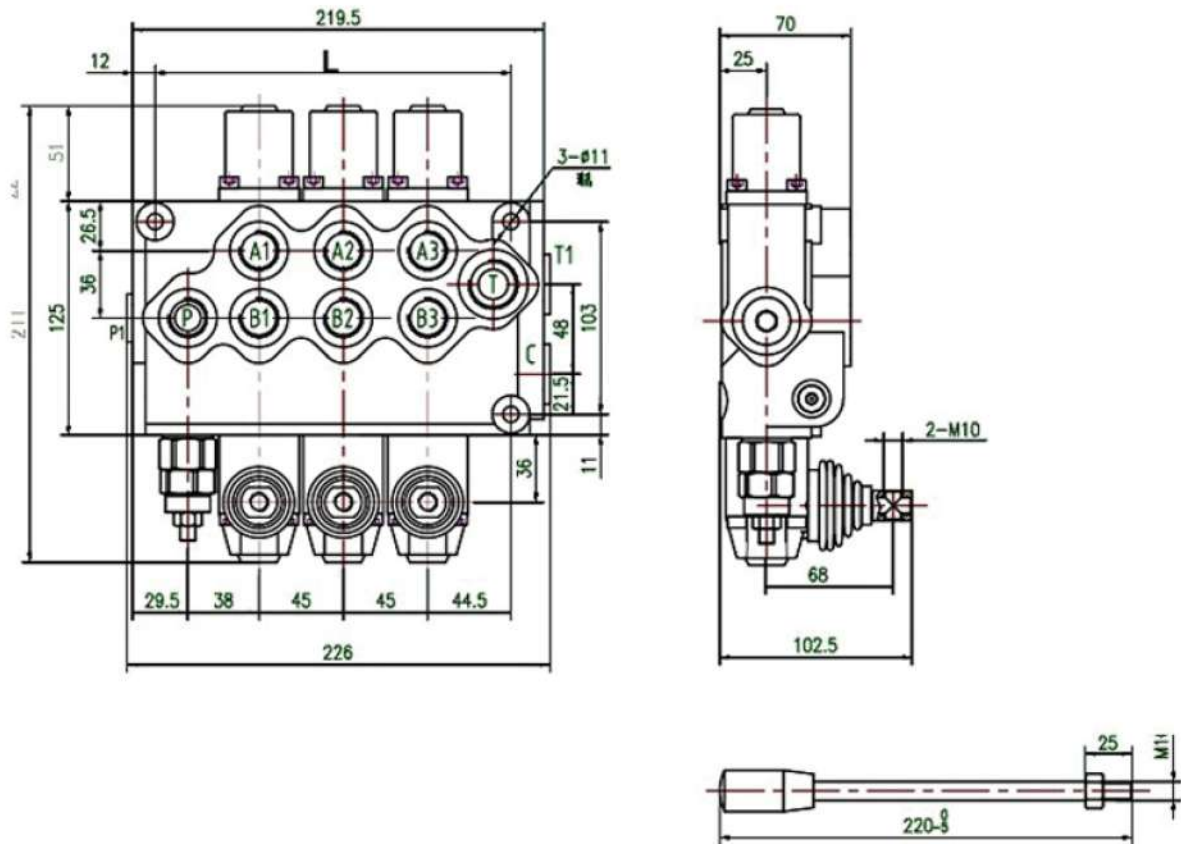
SD11 SERIES HYDRAULIC SECTIONAL DIRECTIONAL VALVE



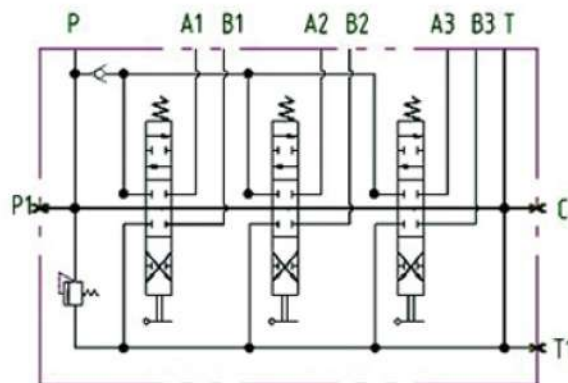
▶ TECHNIAL PARAMETERS

Control Method	manual
Presure Medium	Mineral oil based hydraulic oil
Nominal Flow	75 L/min
Viscosity Range	12 CST-400 CST
Operating Pressure	315 bar (35 MPa)
Internal Leakage	15 cc/min at 160 bar, 50°C
Ambient Temp	-40°C to +80°C (-40°F to +176°F)
Valve Structure	Sectional Valve
Valve Surface	Phosphating treating
Valve Sections	1-7 Sections
Rustproof Level	Neutral salt spray test, 48hours

► DRAWING & DIMENSIONS



► HYDRAULIC SCHEMATIC





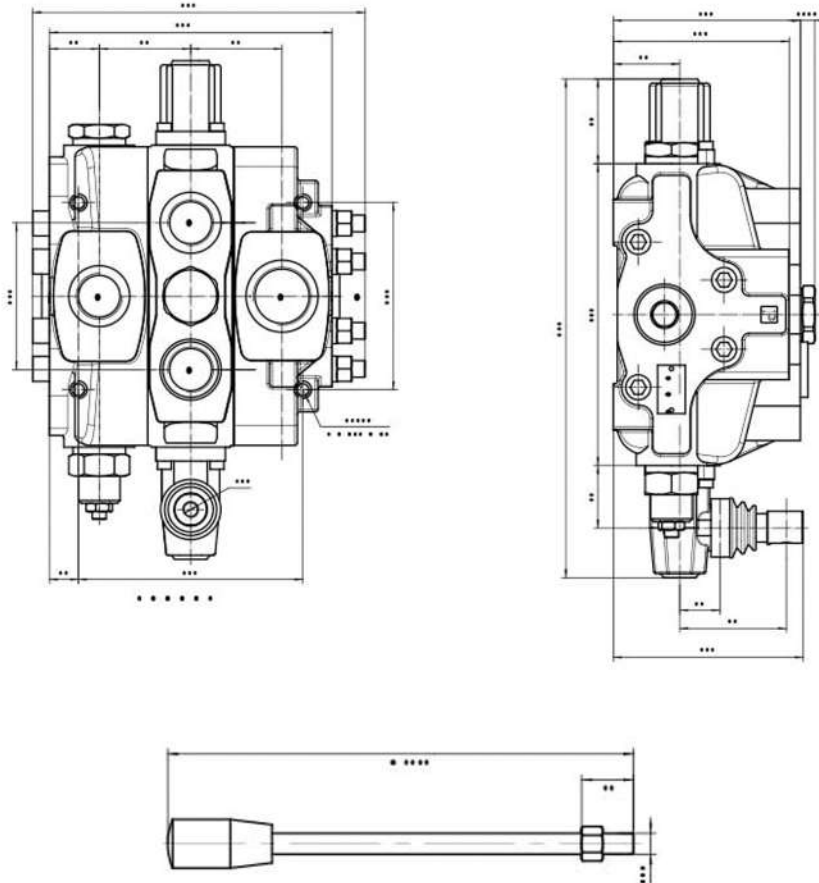
SD25 SERIES HYDRAULIC SECTIONAL DIRECTIONAL VALVE



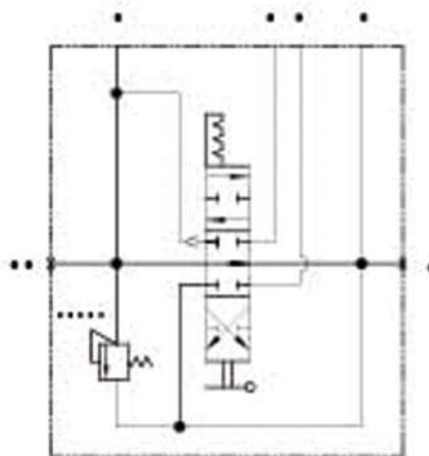
TECHNIAL PARAMETERS

Section	1 Section,2 Section,3 Section,4 Section,5 Section,6 Section,7 Section,8 Section,9 Section,10 Section
Structure Type	Monoblock valve
Rated Flow	240 L/min (63.4 US gpm)
Max Pressure	315 bar (4600 psi)
Operating Viscosity Range	12 - 400 mm ² /s (12 cSt to 400 cSt)
Ambient Temperature Range	-40°C to +80°C (-40°F to +176°F)

► DRAWING & DIMENSIONS



► HYDRAULIC SCHEMATIC





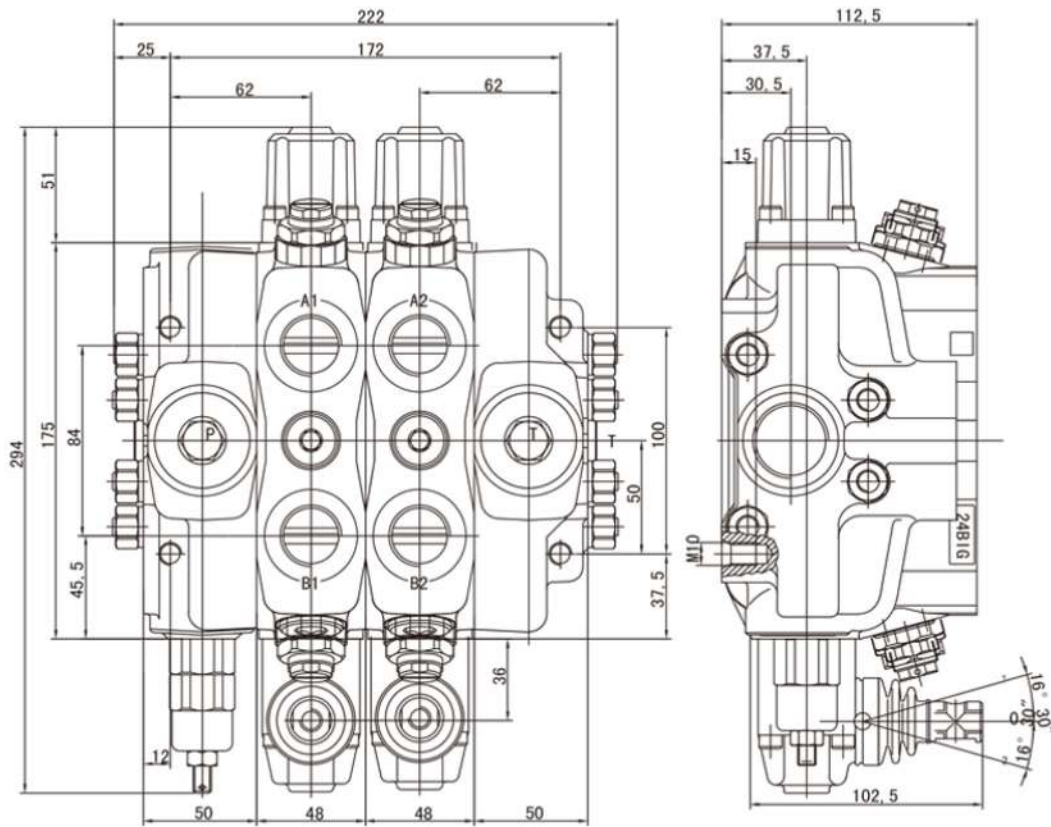
SD180 SERIES HYDRAULIC SECTIONAL DIRECTIONAL VALVE



TECHNIAL PARAMETERS

Nom. Pressure(MPa)		16
Max.Pressure(MPa)		31.5
Nom.Flow rate(L/min)		160
Back Pressure(MPa)		≤1
Hydraulic Oil	Tem.rang (°C)	-20~+80
	Visc.rang (mm ² /S)	0~400
	Filtrating Accuracy (μm)	≤10

► DRAWING & DIMENSIONS



ONEDERFUL® HYDRAULIC

SOLENOID DIRECTIONAL VALVE



SOLENOID DIRECTIONAL VALVE

WE6...



PRODUCT PARAMETERS		
Specification		6
Max working pressure Mpa	P/A/B (Oil ports)	35
	T (Oil ports)	21
Max.Flow (L/min)		80
Working Voltage	DC	12/24
	AC	110/220
Model number	4WE6E/J/H/G/ D/Y for choice	
Brand	Onderful® Hydraulic or OEM/ODM	

WE6...



PRODUCT PARAMETERS		
Specification		6
Max working pressure Mpa	P/A/B (Oil ports)	35
	T (Oil ports)	21
Max.Flow (L/min)		80
Working Voltage	DC	12/24
	AC	110/220
Model number	4WE6E/J/H/G/ D/Y for choice	
Brand	Onderful® Hydraulic or OEM/ODM	

WE6...



PRODUCT PARAMETERS		
Specification		6
Max working pressure Mpa	P/A/B (Oil ports)	35
	T (Oil ports)	21
Max.Flow (L/min)		80
Working Voltage	DC	12/24
	AC	110/220
Model number	4WE6E/J/H/G/ D/Y for choice	
Brand	Onderful® Hydraulic or OEM/ODM	

MH6WE6



PRODUCT PARAMETERS		
Specification		6
Max working pressure Mpa	P/A/B (Oil ports)	250
	T (Oil ports)	50
Max.Flow (L/min)		80
Working Voltage	DC	12/24
	AC	110/220

HYDRAULIC SOLENOID DIRECTIONAL VALVE

WE10...



PRODUCT PARAMETERS		
Specification		10
Max working pressure Mpa	P/A/B (Oil ports)	35
	T (Oil ports)	21
Max.Flow (L/min)		120
Working Voltage	DC	12/24
	AC	110/220
Model number	4WE6E/J/H/G/ D/Y for choice	
Brand	Onderful® Hydraulic or OEM/ODM	

WE10...



PRODUCT PARAMETERS		
Specification		10
Max working pressure Mpa	P/A/B (Oil ports)	35
	T (Oil ports)	21
Max.Flow (L/min)		120
Working Voltage	DC	12/24
	AC	110/220
Model number	4WE6E/J/H/G/ D/Y for choice	
Brand	Onderful® Hydraulic or OEM/ODM	

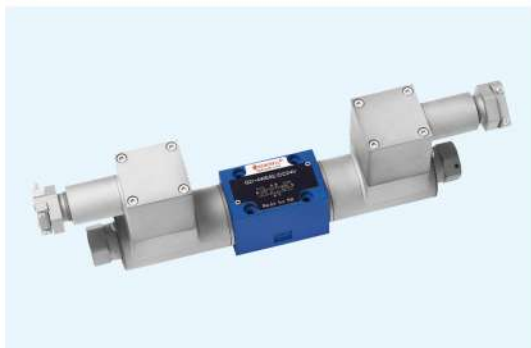
WE10...



PRODUCT PARAMETERS		
Specification		10
Max working pressure Mpa	P/A/B (Oil ports)	35
	T (Oil ports)	21
Max.Flow (L/min)		120
Working Voltage	DC	12/24
	AC	110/220
Model number	4WE6E/J/H/G/ D/Y for choice	
Brand	Onderful® Hydraulic or OEM/ODM	

EXPLOSION ISOLATION SOLENOID DIRECTIONAL VALVE

G1WE6...



PRODUCT PARAMETERS		
Specification		6
Max working pressure Mpa	P/A/B (Oil ports)	31.5
	T (Oil ports)	16
Max.Flow (L/min)		80
Working Voltage	DC	12/24
Model number	G1WE6E / J / H / G / D / Y for choice	
Brand	Onderful® Hydraulic or OEM/ODM	

▶ G1WE10...



PRODUCT PARAMETERS		
Specification		6
Max working pressure Mpa	P/A/B (Oil ports)	31.5
	T (Oil ports)	16
Max.Flow (L/min)		120
Working Voltage	DC	12/24
Model number	G1WE6E / J / H / G / D / Y for choice	
Brand	Onederful® Hydraulic or OEM/ODM	

EXPLOSION ISOLATION ELECTRO-HYDRAULIC DIRECTIONAL VALVE

▶ G1WEH...



PRODUCT PARAMETERS		
Specification		10 / 16 / 25 / 32
Max working pressure Mpa	P/A/B (Oil ports)	31.5
	T (Oil ports)	16
Max.Flow (L/min)		160/300/650/1100
Working Voltage	DC	12/24
Model number	G1WEH / J / H / G / D for choice	
Brand	Onederful® Hydraulic or OEM/ODM	

ELECTRO-HYDRAULIC DIRECTIONAL VALVE

▶ WEH...



PRODUCT PARAMETERS		
Specification		16 / 25 / 32
Max working pressure Mpa	P/A/B (Oil ports)	35
	T (Oil ports)	16
Max.Flow (L/min)		300/650/1100
Working Voltage	DC	12/24
	AC	110/220
Model number	WEH / J / H / G / D for choice	
Brand	Onederful® Hydraulic or OEM/ODM	

MANUAL HYDRAULIC DIRECTIONAL VALVE

▶ WMM6...



PRODUCT PARAMETERS		
Specification		6 / 10 / 16 / 25 / 32
Max working pressure Mpa	P/A/B (Oil ports)	31.5
	T (Oil ports)	16 / 21 / 25
Max.Flow (L/min)		60 / 100 / 300 / 450
Design Number		50
Model number	C D J E for choice	
Brand	Onederful® Hydraulic or OEM/ODM	

SOLENOID DIRECTIONAL VALVE WITH EMERGENCY HANDLE

WEMM...



PRODUCT PARAMETERS		
Specification	6 / 10	
Max working pressure Mpa	P/A/B (Oil ports)	31.5
	T (Oil ports)	16 / 21
Max.Flow (L/min)	80 / 120	
Working Voltage	DC	12/24
	AC	110/220
Model number	C D J E etc for choice	
Brand	Onderful® Hydraulic or OEM/ODM	

S...



PRODUCT PARAMETERS							
Specification	6	8	10	15	20	25	30
Max working pressure Mpa	31.5						
Max.Flow(L/min)	15	30	40	120	200	300	400
Open pressure	0, 0.05, 0.15, 0.2, 0.3, 0.4, 0.5						
Design Number	0						

S...



PRODUCT PARAMETERS			
Specification	10	20	30
Max working pressure Mpa	31.5		
Max.Flow(L/min)	40	200	400
Open pressure	0, 0.05, 0.15, 0.2, 0.3, 0.4, 0.5		
Design Number	10		

MODULAR HYDRAULIC CHECK VALVE

Z2S...



PRODUCT PARAMETERS				
Specification	6	10	16	22
Max working pressure Mpa	31.5			
Max.Flow(L/min)	60	120	200	360
Open pressure	0.15/0.3 /0.7	0.15/0.3 /0.6	0.25	0.3/0.5 /0.75/1.0
Design Number	10	20	30	30

▶ SV/SL...



PRODUCT PARAMETERS	
Specification	20
Max working pressure Mpa	31.5
Max.Flow(L/min)	350
Design Number	40

ONEDERFUL® HYDRAULIC

PRESSURE VALVE SERIES



DIRECT OPERATED RELIEF VALVE

DBD6P



PRODUCT PARAMETERS				
Specification	6	10	20	30
Max working pressure Mpa	31.5			
Max.Flow(L/min)	50	120	250	350
Pressure adjustment Mpa	2.5 / 5 / 10 / 20 / 31.5			

MODULAR RELIEF VALVE

ZDB...



PRODUCT PARAMETERS		
Specification	6	10
Max working pressure Mpa	31.5	31.5
Max.Flow(L/min)	60	100
Pressure adjustment Mpa	5 / 10 / 20 / 31.5	5 / 10 / 20 / 31.5
Design Number	40	40

PILOT RELIEF VALVE / SOLIENOID PILOT RELIEF VALVE

DB...



PRODUCT PARAMETERS			
Specification	10	20	30
Max working pressure Mpa	35		
Max.Flow(L/min)	250	500	650
Open pressure	5 / 10 / 20 / 31.5 / 35		
Design Number	50		

DBW...



PRODUCT PARAMETERS			
Specification	10	20	30
Max working pressure Mpa	35		
Max.Flow(L/min)	250	500	650
Working voltage	DC		12/24
	AC		110/220
Open pressure	5 / 10 / 20 / 31.5 / 35		
Design Number	50		

SOLENOID PILOT RELIEF VALVE

▣ DBW.....



PRODUCT PARAMETERS					
Specification	10	15	20	25	30
Max working pressure Mpa	35				
Max.Flow(L/min)	250	500	500	500	600
Working voltage	DC	12/24			
	AC	110/220			
Pressure adjustment	5 / 10 / 20 / 31.5 / 35				
Mpa	50				

PILOT OPERATED SEQUENCE VALVE

▣ DZ...



PRODUCT PARAMETERS	
Specification	10 / 20 / 30
Max working pressure Mpa	31.5
Max.Flow(L/min)	200 / 400 / 600
Pressure adjustment Mpa	5 / 10 / 20 / 31.5
Design Number	50

▣ DZ...-3X



PRODUCT PARAMETERS	
Specification	10 / 20 / 30
Max working pressure Mpa	21
Max.Flow(L/min)	150 / 300 / 450
Design Number	30

PILOT OPERATED UNLOADING VALVE

DA...



PRODUCT PARAMETERS			
Specification	10	20	30
Max working pressure Mpa	31.5		
Max.Flow(L/min)	60	120	240
Working voltage	DC		12/24
	AC		110/220
Pressure adjustment Mpa	5 / 10 / 20 /31.5		
Design Number	50		

DAW10...-3X



PRODUCT PARAMETERS			
Specification	10	20	30
Max working pressure Mpa	31.5		
Max.Flow(L/min)	40	100	250
Working voltage	DC		12/24
	AC		110/220
Pressure adjustment Mpa	80 / 160 / 315		
Design Number	50		

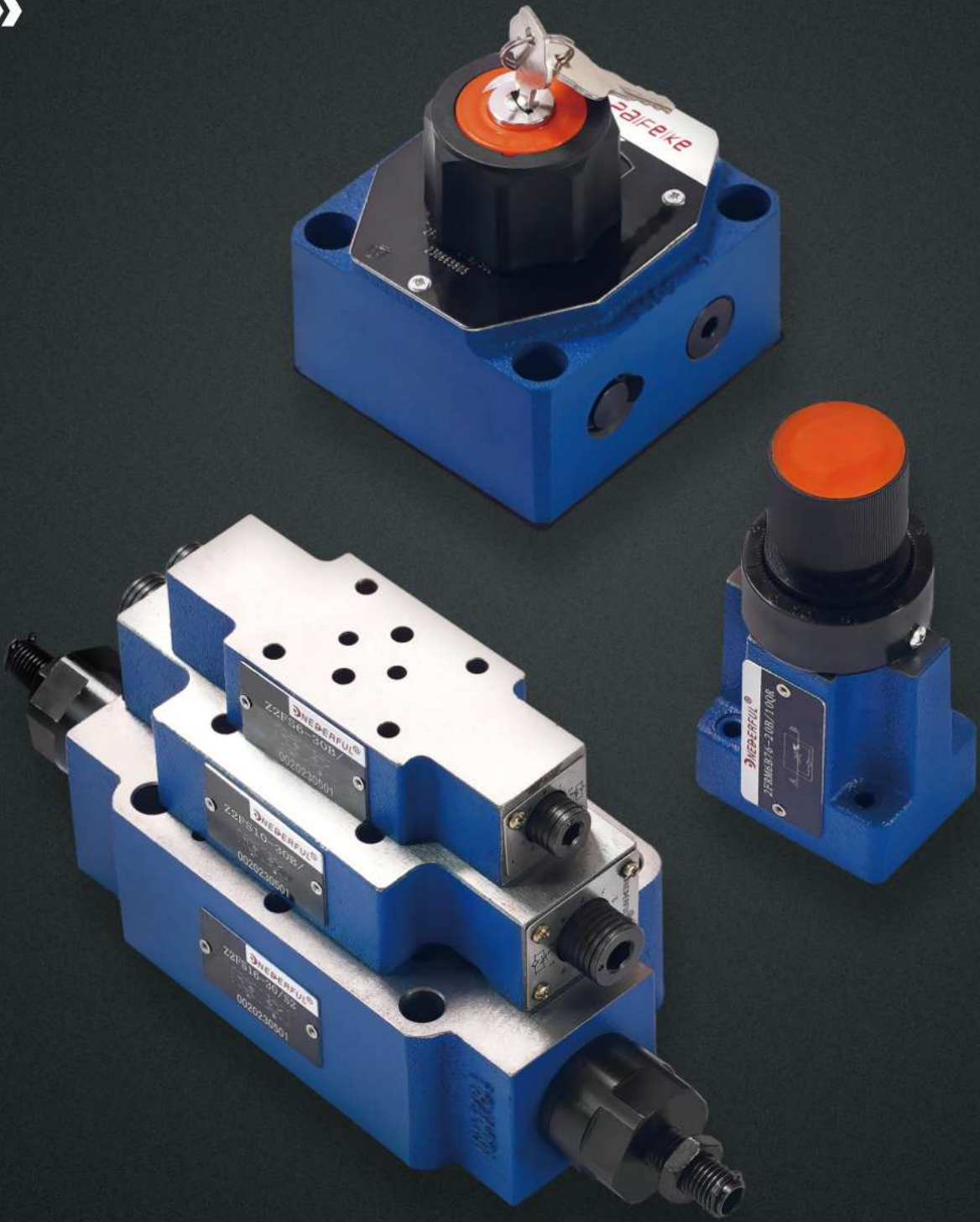
PILOT OPERATED REDUCING VALVE

DR...



PRODUCT PARAMETERS			
Specification	10	20	30
Max working pressure Mpa	31.5		
Max.Flow(L/min)	150	300	400
Pressure adjustment Mpa	5 / 10 / 20 / 30		
Design Number	50		

ONEDERFUL® HYDRAULIC
FLOW VALVE SERIES



RESTRICTOR VALVE/ CHECK RESTRICTOR VALVE

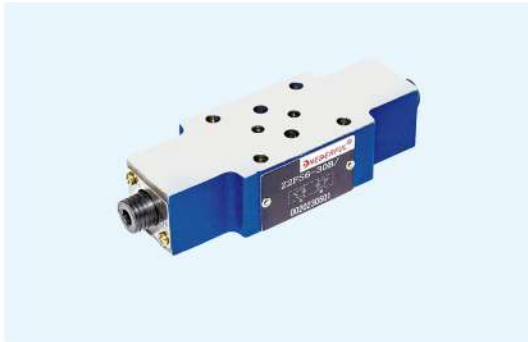
▶ DV/DRV/DRVP/DVP...



PRODUCT PARAMETERS									
Specification	6	8	10	12	16	20	25	30	40
Max working pressure Mpa	31.5								
Max.Flow(L/min)	14	40	60	85	175	200	300	400	600
Design Number	10								

MODULAR RESTRICTIVE CHECK VALVE

▶ Z2FS...



PRODUCT PARAMETERS				
Specification	6	10	16	22
Max working pressure Mpa	P / A / B (Oil ports)	31.5		35
	T (Oil ports)	16		16
Max.Flow(L/min)	80	160	250	360
Design Number	30	20	30	30

TWO WAYS FLOW CONTROL VALVE

▶ 2FRM5/6...



PRODUCT PARAMETERS	
Specification	6
Max working pressure Mpa	31.5
Max.Flow(L/min)	32
Design Number	30

▶ 2FRM10/16...



PRODUCT PARAMETERS		
Specification	10	16
Max working pressure Mpa	31.5	
Max.Flow(L/min)	50	160
Design Number	21	



ONEDERFUL HYDRAULIC FACTORY
(LAIYE LMPORT & EXPORT)



SHIJIAZHUANG LAIYE IMPORT & EXPORT TRADING CO.,LTD

 WENDEFUVALVE®

-
- ▲ **Address** : Oriental New World Center, Chang'an District, Shijiazhuang City, Hebei Province, China
 - ▲ **Tel** : +8619933127999
 - ▲ **E-mail**: info@wendefuvalve.com.cn
 - ▲ **Web**: wendefuvalve.com
 - ▲ **Alibaba**: laiyehydraulic.en.alibaba.com