



江口电器制造有限公司

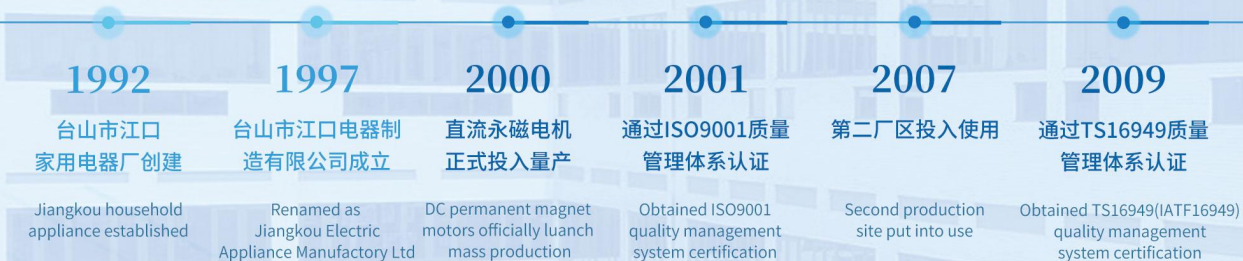
JIANGKOU ELECTRIC APPLIANCE MANUFACTORY LTD.

汽车类产品目录

AUTOMOTIVE PRODUCTS CATALOGUE



发展历程 COMPANY HISTORY



公司简介 COMPANY PROFILE

江口电器制造有限公司于1992年在广东省台山市创建，是国家高新技术企业。现有员工约600人，年销售额4亿元。江口是一家专注于电机与新能源汽车零部件研发、制造和销售的民营企业，产品包括AMT换挡执行机构、直流永磁电机、无刷电机和减速机电机等，并广泛应用于新能源汽车、工程机械和农业机械动力总成，汽车线控制动系统，汽车辅助驾驶系统，医疗器械，办公器材与家具，智能家居和工业设备等等。

江口拥有一支技术过硬和经验丰富的研发团队，研发工程师超25人，技术专利80多项。公司先后通过了ISO9001、IATF16949质量管理体系认证和ISO14001环境管理体系认证，并于2022年被认定为“广东省新能源汽车电机系统工程技术研究中心”和“广东省专精特新中小企业”。同时公司拥有专业的实验室，满足产品设计开发、工程验证和品质控制的各种试验。2023年投入使用的高标准汽车零部件生产基地，为产能提升与品质保证提供保障。

江口与众多国际行业巨头建立战略合作伙伴关系，产品长期远销欧美，品质可靠，口碑一流。近年积极响应国家节能减排政策，加大新能源汽车零部件研发。纯电和混合动力AMT换挡执行机构处于国内领先水平，技术先进、品质稳定、产品平台齐全和市占率居行业前列。线控制动系统（EHB、EMB和EPB）直流无刷和有刷电机技术逐渐成熟，成为行业内一支实力强劲的生力军。

江口秉承“服务客户，合作共赢”的经营理念 and 坚守“技术驱动发展，品质成就未来”的发展思路。助力新能源汽车、工程机械和农业机械等行业高速发展，为人类实现碳中和贡献力量。

Jiangkou Electric Appliance Manufactory Ltd is a national high-tech enterprise founded in 1992 in Taishan City, Guangdong Province with 600 employees and annual sales revenue over 400 millions RMB.

Jiangkou Electric is a private owned company specialized in R&D, manufacturing and sales of electric motors and automotive components, with products include AMT shift actuators, PMDC motors, brushless motors and gearbox motors that are widely used in the electric vehicles, constructional machinery & agricultural machinery powertrain systems, brake-by-wire systems (EHB, EMB and EPB), ADAS, medical equipments, smart home furnitures, office equipments and industrial equipments etc.

With over years of experiences, Jiangkou Electric has a strong R&D group with 25 highly skilled and experienced design engineers earning more than 80 inventions and technical patents. The company has successively qualified by ISO9001, IATF16949 quality management system certification, and ISO14001 environmental management system certification. And in 2022, Jiangkou Electric was awarded and recognized by the Guangdong Engineering Technology Research Institute Center and Honor of Guangdong Province's Specialized, Refined, and New Small and Medium Enterprises. At the same time, the company has professional laboratories that meet various product design and development, engineering test requirements. In 2023, a new high standard production base will be put into use for capacity improvement and quality assurance.

Jiangkou Electric has established strategic partnerships with multiple well-known international enterprises around the world, our products have been exported globally specially in the Europe and America regions with reliable quality and first-class reputation for many years. In recent years, we have actively responded to the national energy-saving and emission reduction policies and increases research and development in the EV industry. Jiangkou's AMT shifting actuators are at the leading level in China, with advanced technology, stable quality, complete product platforms and leading market share in the industry. Our PMDC and brushless motors for the brake-by-wire systems (EHB, EMB, and EPB) are gradually maturing, becoming a strong force in the industry.

Jiangkou Electric adheres to the business philosophy of "serving customers, win-win cooperation" and the development philosophy of "technology driven development, quality achieving the future". Assisting rapid growth of industries such as electric vehicles, constructional machineries, and agricultural machineries, and contribute to achieving carbon neutrality for humanity.

2010

直流减速箱电机
正式投入量产

Gearbox motors
officially launch mass
production

2012

汽车应用电机
正式投入量产

Automotive application
motors officially launch
mass production

2013

通过ISO14001环境
管理体系认证

Obtained ISO14001
environmental management
system certification

2015

直流无刷电机
正式投入量产

BLDC motors officially
launch mass production

2018

新能源汽车应用电机
正式投入量产

New energy vehicle
application motors officially
launch mass production

2023

第三厂区投入使用

Third production
site put into use



30+yrs

企业实力
Company strength

600+

公司员工
Company staffs

80+

技术专利
Technical patents

50000m²+

两大厂区生产面积
Two production sites

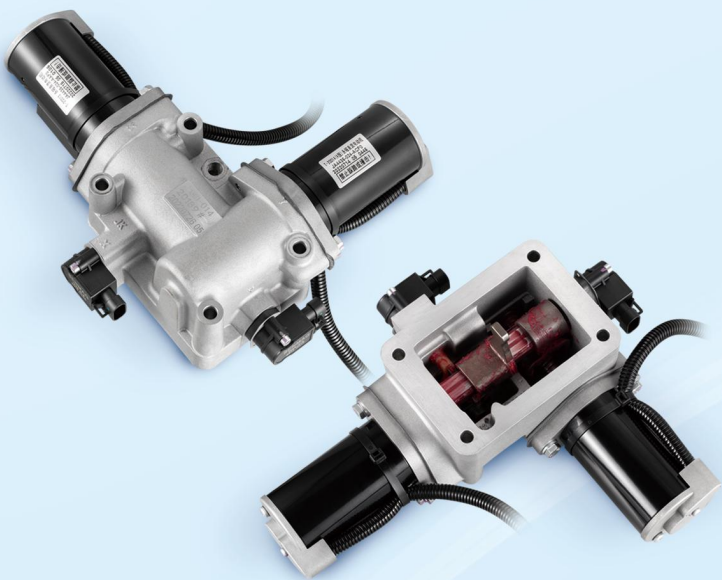
20+

先进智能化生产线
Advanced production cells



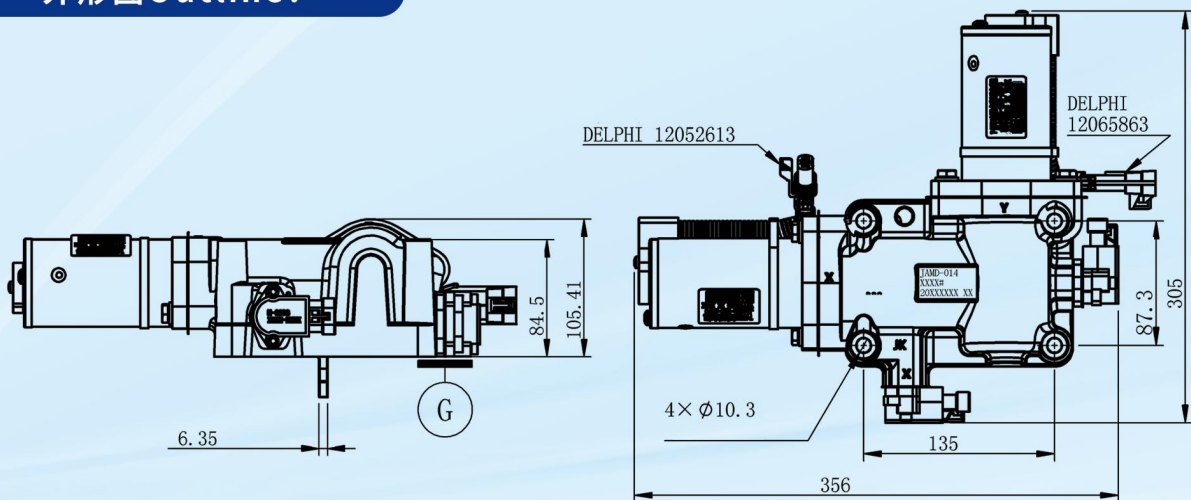
选换挡执行机构 GEAR SHIFT ACTUATOR

JAMD-014



用途 Applications	4挡、6挡 AMT变速箱 4-speeds, 6-speeds AMT transmission
特点介绍 Features	控制精度高 High precision control 低噪音 Low noise 高效率 High efficiency 满足200万次寿命测试 2 million gear shifts of life test 满足IP67防护等级 Meet IP67 protection class
适用车型 Applicable vehicles	新能源公交、环卫车、重卡、矿卡 Electric/HEV buses, sanitation vehicles heavy duty trucks, mining trucks

外形图Outline:



规格表Parameter:

型号 Model	电压 Voltage	空载电流(A) No-load Current (A)		最大换挡行程(mm) Maximum shift stroke (mm)		换挡推力(N) Shift thrust (N)		换挡时间(S) Shift timing		堵转电流(A) Stall Torque (A)	
	VDC	X轴	Y轴	X轴	Y轴	X轴	Y轴	X轴	Y轴	X轴	Y轴
JAMD-014	24	≤2.02	≤2.02	≥30	≥30	≥400	≥1335	≤0.2	≤0.2	42MAX.	42MAX.

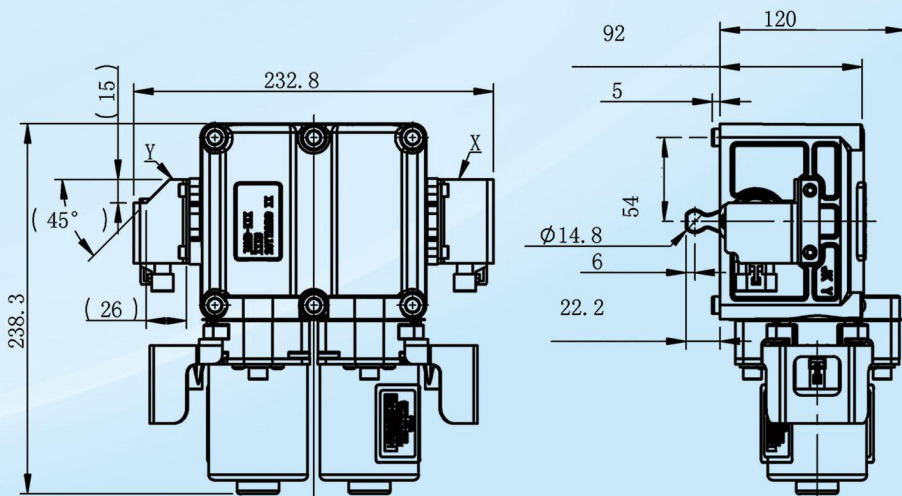
选换挡执行机构 GEAR SHIFT ACTUATOR

JAMD-035



用途 Applications	3挡和4挡变速箱/电驱桥 3-speed and 4-speed AMT transmission/eAxle
特点介绍 Features	控制精度高 High precision control 低噪音 Low noise 高效率、大扭矩 High efficiency, big torque 满足200万次寿命测试 2 million gear shifts of life test 满足IP67防护等级 Meet IP67 protection class
适用车型 Applicable vehicles	新能源重卡、搅拌车和牵引车 Electric heavy duty trucks mixer trucks and tractor trucks

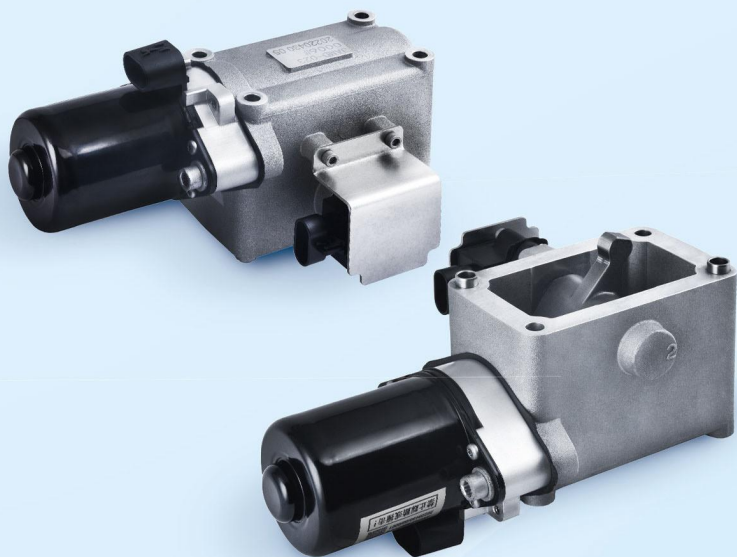
外形图Outline:



规格表Parameter:

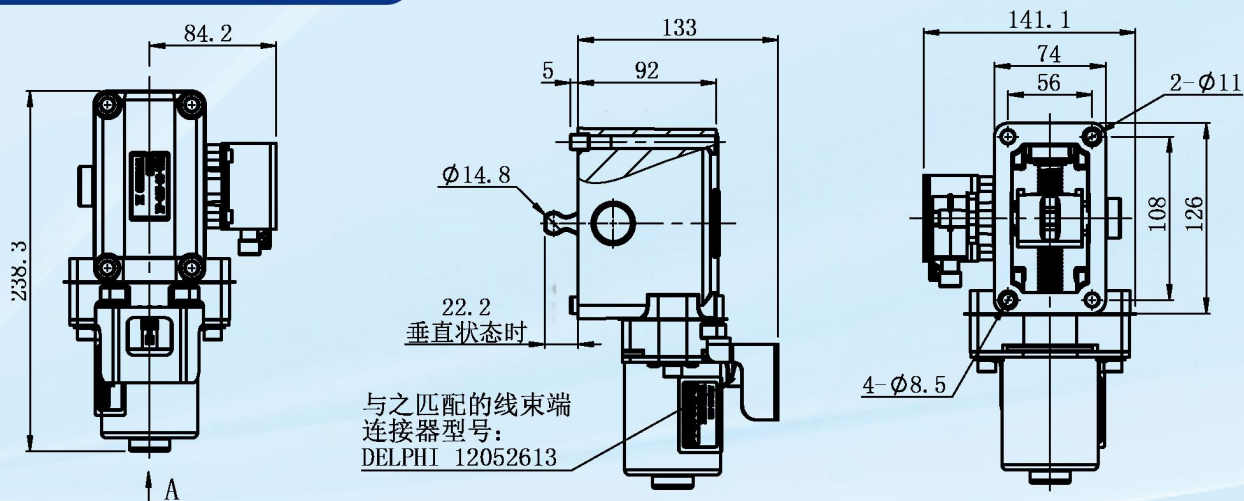
型号 Model	电压 Voltage	空载电流(A) No-load Current (A)		最大换挡行程(mm) Maximum shift stroke (mm)		换挡推力(N) Shift thrust (N)		换挡时间(S) Shift timing		堵转电流(A) Stall Torque (A)	
	VDC	X轴	Y轴	X轴	Y轴	X轴	Y轴	X轴	Y轴	X轴	Y轴
JAMD-035	24	≤2.2	≤2.2	≥30	≥30	≥2500	≥2500	≤0.2	≤0.2	57.5MAX.	57.5MAX.

JAMD-023



用途 Applications	2挡变速箱/电驱桥 2-speed AMT transmission/eAxle
特点介绍 Features	控制精度高 High precision control 低噪音 Low noise 高效率、大扭矩 High efficiency, big torque 满足200万次寿命测试 2 million gear shifts of life test 满足IP67防护等级 Meet IP67 protection class
适用车型 Applicable vehicles	新能源重卡、搅拌车和牵引车 Electric heavy duty trucks mixer trucks and tractor trucks

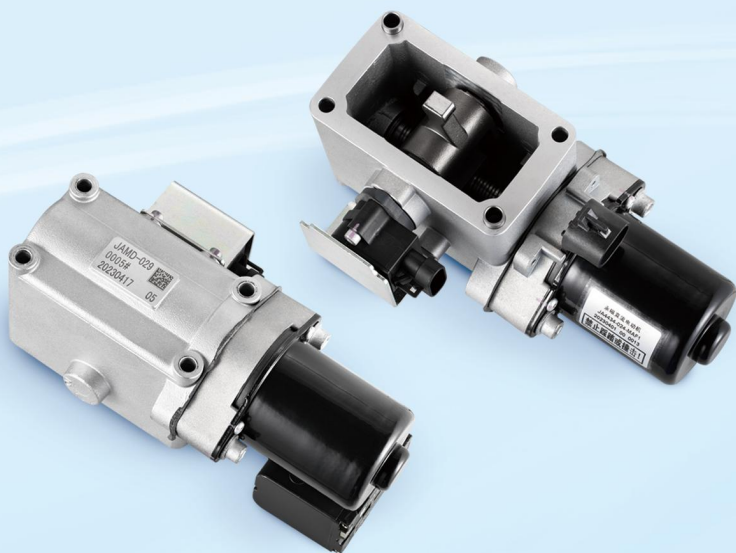
外形图Outline:



规格表Parameter:

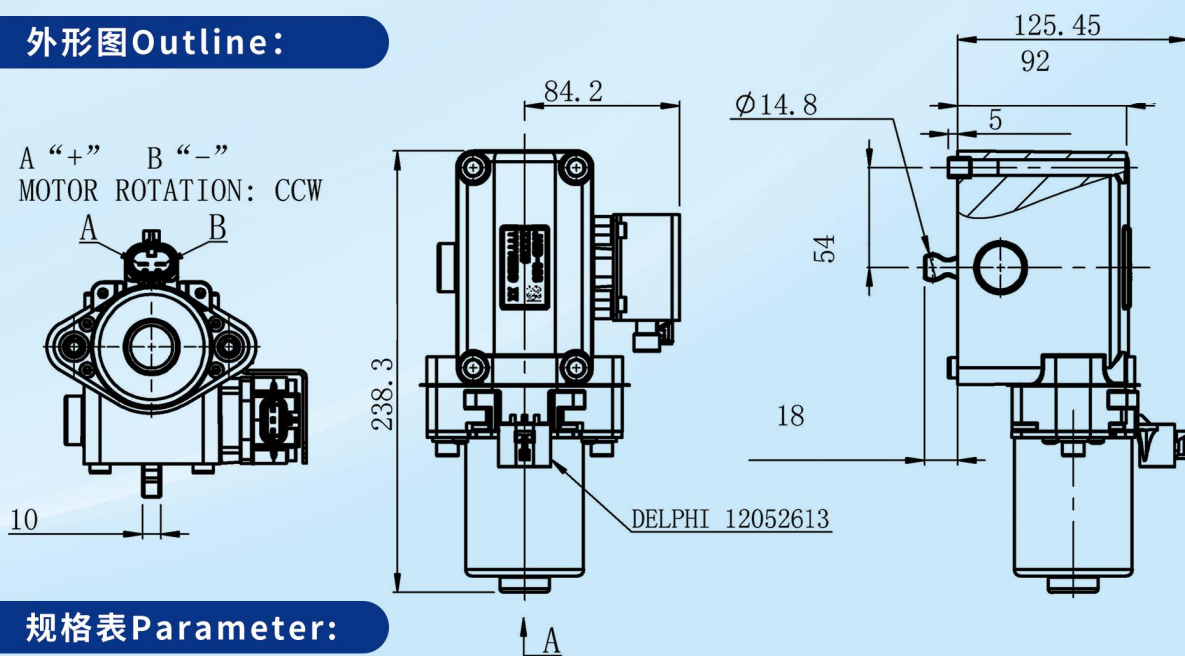
型号 Model	电压 Voltage	空载电流(A) No-load Current (A)	最大换挡行程(mm) Maximum shift stroke (mm)	换挡推力(N) Shift thrust (N)	换挡时间(S) Shift timing	堵转电流(A) Stall Torque (A)
JAMD-023	24	≤ 2.2	≥ 30	≥ 2500	≤ 0.2	57.5MAX.

JAMD-028



用途 Applications	2挡变速箱/电驱桥 2-speed AMT transmission/eAxle
特点介绍 Features	控制精度高 High precision control 低噪音 Low noise 高效率 High efficiency 满足200万次寿命测试 2 million gear shifts of life test 满足IP67防护等级 Meet IP67 protection class
适用车型 Applicable vehicles	新能源重卡、轻卡和观光车 Electric heavy duty trucks, light trucks and sightseeing vehicles

外形图Outline:



规格表Parameter:

型号 Model	电压 Voltage	空载电流(A) No-load Current (A)	最大换挡行程(mm) Maximum shift stroke (mm)	换挡推力(N) Shift thrust (N)	换挡时间(S) Shift timing	堵转电流(A) Stall Torque (A)
JAMD-028	24	≤2.2	≥25	≥1500	≤0.2	45MAX.

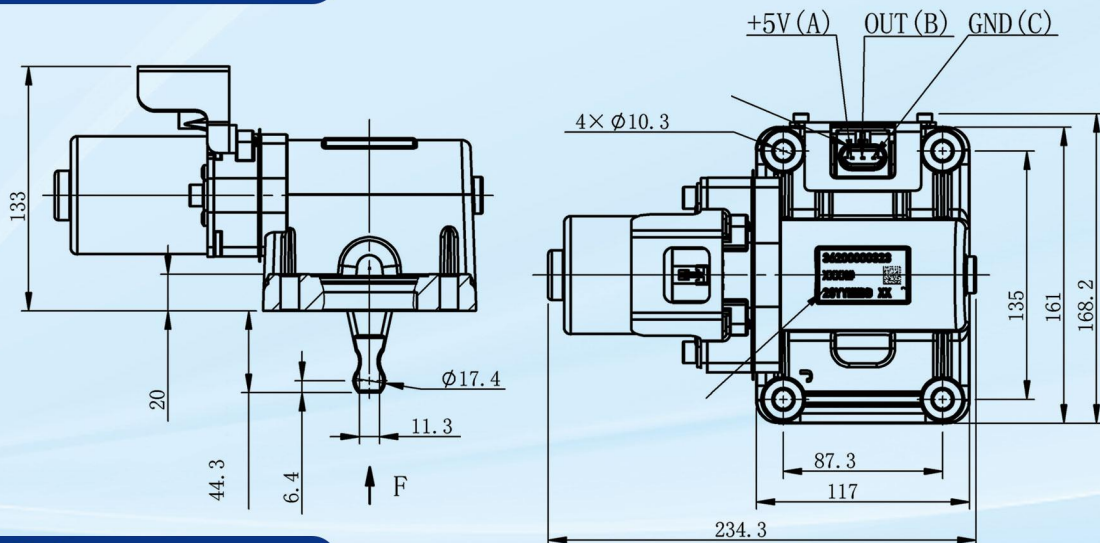
换挡执行机构 GEAR SHIFT ACTUATOR

JAMD-036



用途 Applications	2挡变速箱/电驱桥 2-speed AMT transmission/eAxle
特点介绍 Features	控制精度高 High precision control 低噪音 Low noise 高效率 High efficiency 满足200万次寿命测试 2 million gear shifts of life test 满足IP67防护等级 Meet IP67 protection class
适用车型 Applicable vehicles	新能源电动装载机、拖拉机 Electric machinery Loaders and tractors

外形图Outline:



规格表Parameter:

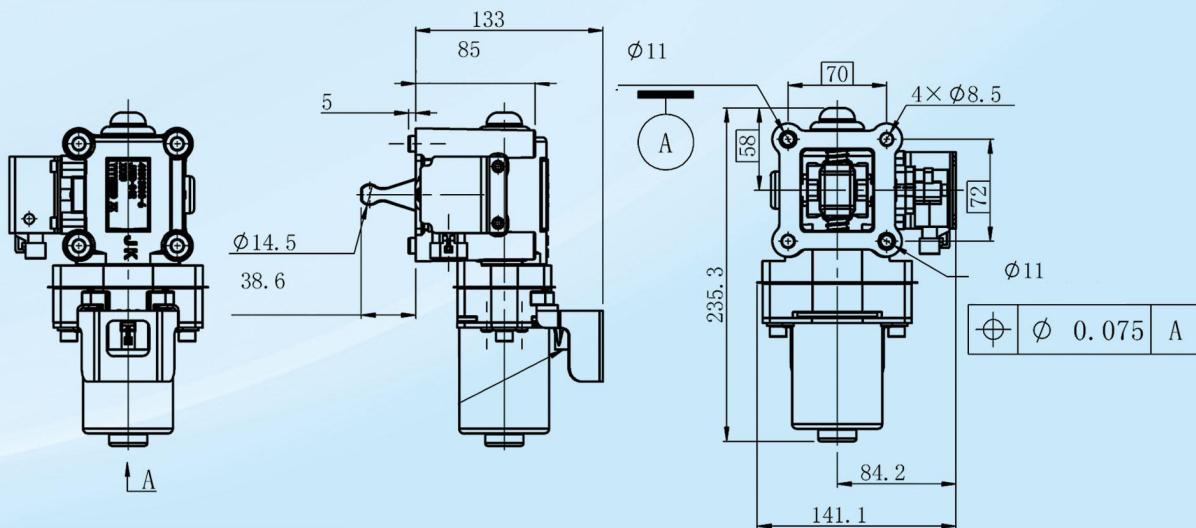
型号 Model	电压 Voltage	空载电流(A) No-load Current (A)	最大换挡行程(mm) Maximum shift stroke (mm)	换挡推力(N) Shift thrust (N)	换挡时间(S) Shift timing	堵转电流(A) Stall Torque (A)
JAMD-036	24	≤2.2	≥30	≥1008	≤0.2	45MAX.

JAMD-042



用途 Applications	2挡变速箱/电驱桥 2-speed AMT transmission/eAxle
特点介绍 Features	控制精度高 High precision control 低噪音 Low noise 高效率 High efficiency 满足200万次寿命测试 2 million gear shifts of life test 满足IP67防护等级 Meet IP67 protection class
适用车型 Applicable vehicles	新能源中型客车、轻卡、装载机 Electric/HEV medium-sized buses light trucks and machinery loaders

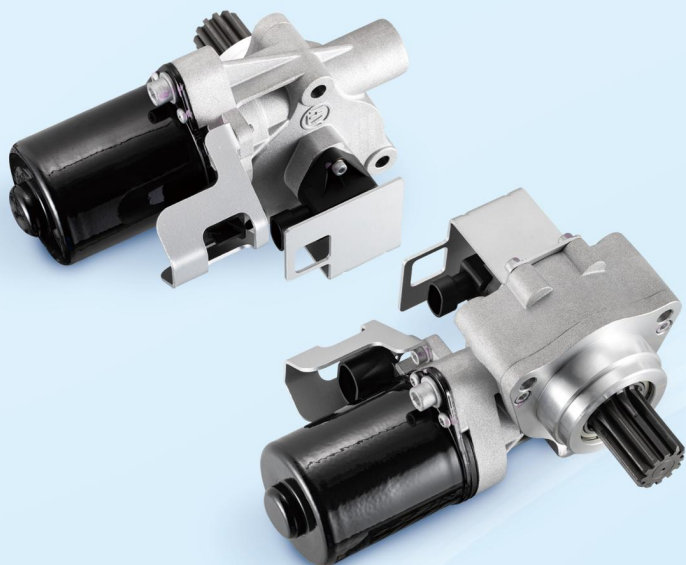
外形图Outline:



规格表Parameter:

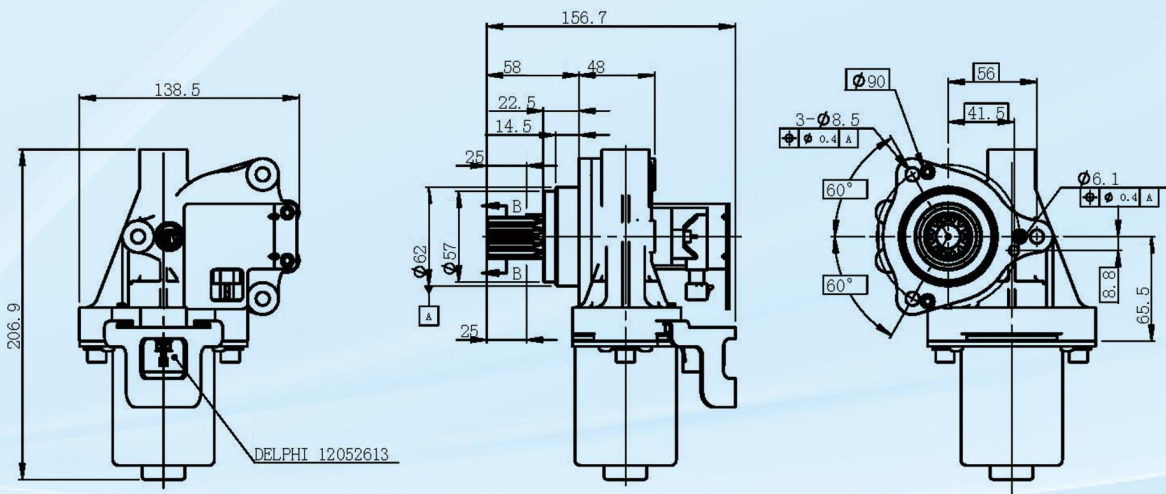
型号 Model	电压 Voltage	空载电流(A) No-load Current (A)	最大换挡行程(mm) Maximum shift stroke (mm)	换挡推力(N) Shift thrust (N)	换挡时间(S) Shift timing	堵转电流(A) Stall Torque (A)
JAMD-042	24	≤ 2.2	≥ 30	≥ 1000	≤ 0.2	45MAX.

JAMD-041



用途 Applications	2挡变速箱/电驱桥 2-speed AMT transmission/eAxle
特点介绍 Features	控制精度高 High precision control 低噪音 Low noise 高效率 High efficiency 满足200万次寿命测试 2 million gear shifts of life test 满足IP67防护等级 Meet IP67 protection class
适用车型 Applicable vehicles	新能源重卡、轻卡、环卫车、自卸车、牵引车 Electric heavy duty trucks, light trucks sanitation vehicles, dump trucks, tractors

外形图Outline:



规格表Parameter:

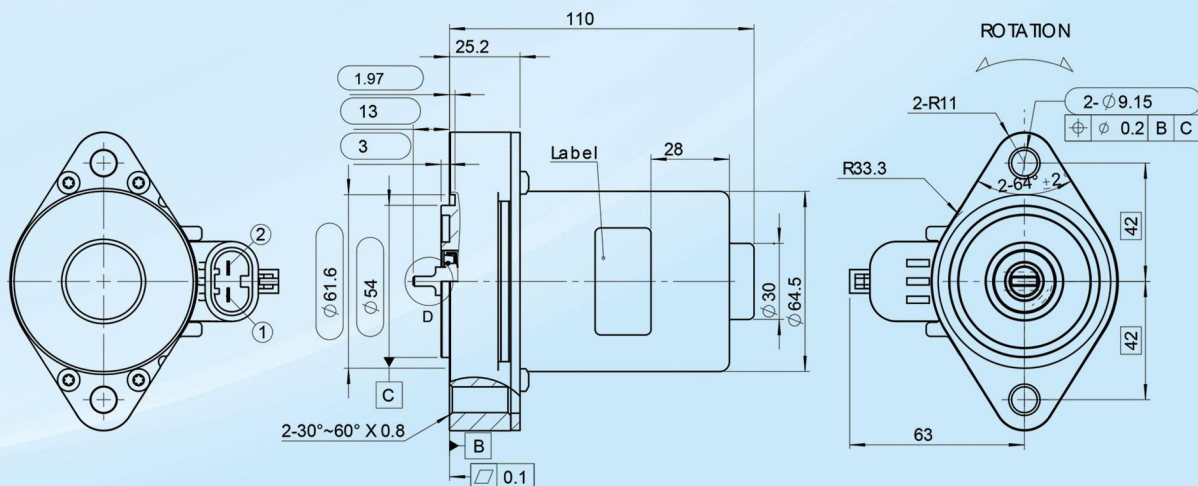
型号 Model	电压 Voltage	空载电流(A) No-load Current (A)	最大换挡行程 (度) Maximum shift stroke (°)	20A换挡推力 (Nm) Shift thrust (Nm)	换挡时间(S) Shift timing	堵转电流(A) Stall Torque (A)
JAMD-041	24	≤2.2	±80°	20	≤0.2	57.5MAX.

JA4434



用途 Applications	AMT变速器, 换挡机构 AMT transmission, Shift Actuator 分动箱 Transfer Case
特点介绍 Features	尺寸紧凑 Compact size 低噪音 Low noise 高效率 High efficiency 满足200万次寿命测试 2 million gear shifts of life test 满足IP67防护等级 Meet IP67 protection class
适用车型 Applicable vehicles	新能源大巴车 物流车、轻卡、重卡 Electri/HEV buses, Logistics vehicle, Light weight trucks, heavy trucks

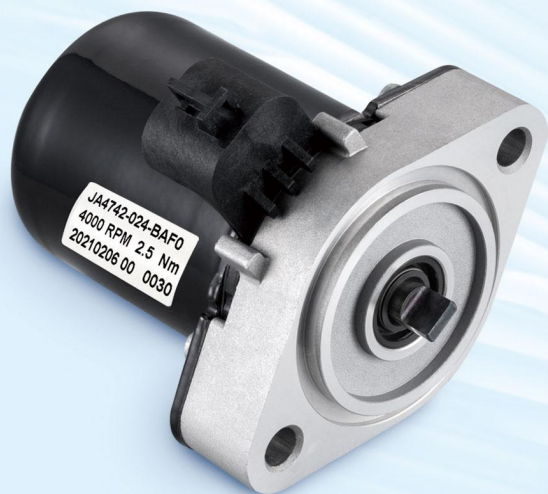
外形图Outline:



规格表Parameter:

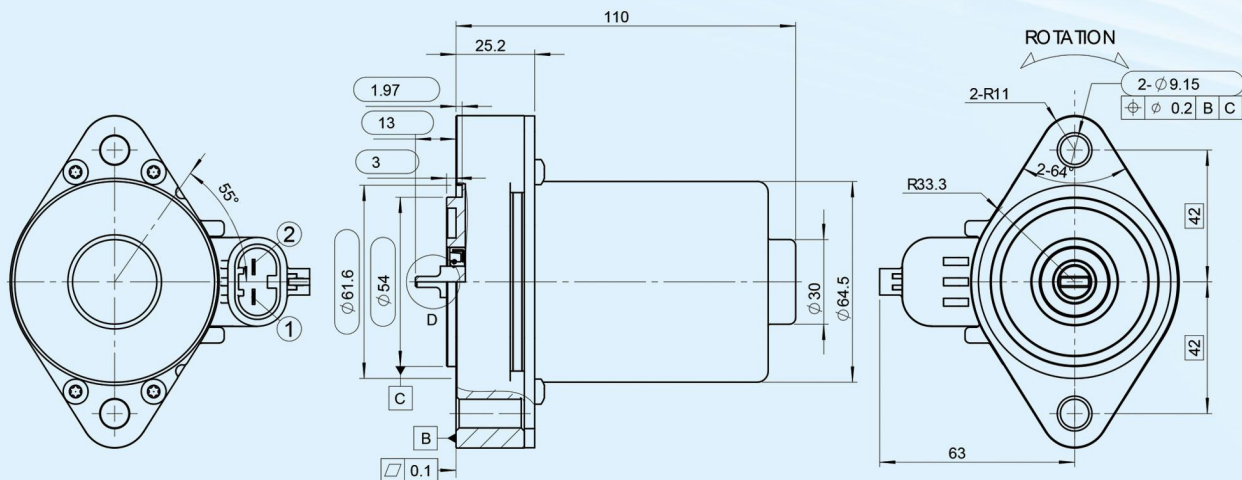
型号 Model	电压 Voltage	空载 No-load		最大效率时 At Maximum efficiency				最大输出时 At Maximum output			
	VDC	电流 Current	转速 Speed	电流 Current	转速 Speed	力矩 Torque	输出功率 Output Watt	电流 Current	转速 Speed	力矩 Torque	输出功率 Output Watt
JA4434	24V	2A	4350RPM	7.31A	3655RPM	0.27N.m	104.8W	20.22A	2169RPM	0.87N.m	197.7W

JA4742



用途 Applications	AMT变速器, 换挡机构 AMT transmission, Shift Actuator 分动箱 Transfer Case
特点介绍 Features	尺寸紧凑 Compact size 低噪音 Low noise 高效率 High efficiency 满足200万次寿命测试 2 million gear shifts of life test 满足IP67防护等级 Meet IP67 protection class
适用车型 Applicable vehicles	新能源大巴车 物流车、轻卡、重卡 Electri/HEV buses, Logistics vehicle, Light weight trucks, heavy trucks

外形图Outline:



规格表Parameter:

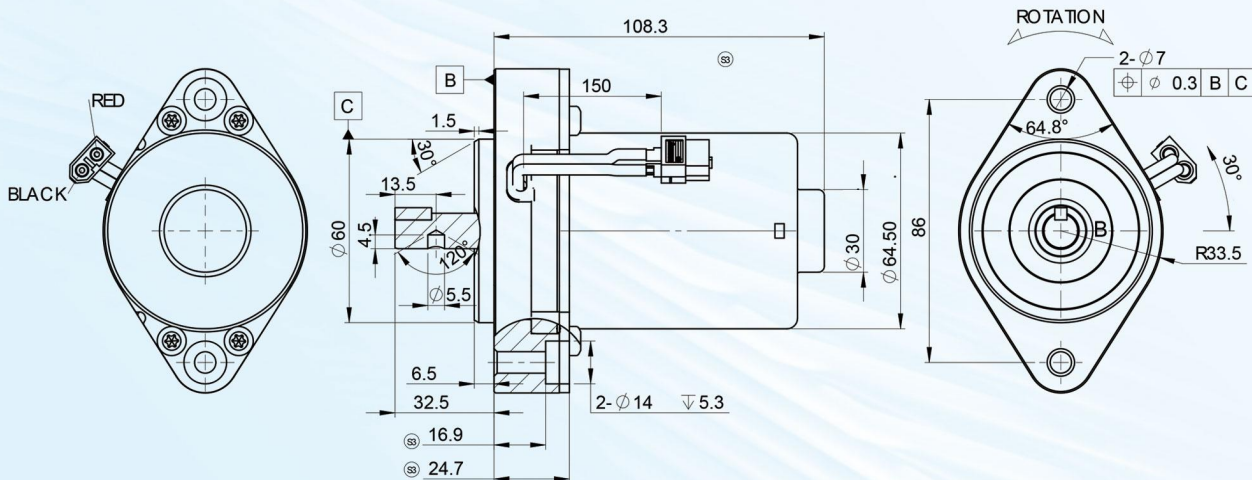
型号 Model	电压 Voltage		空载 No-load		最大效率时 At Maximum efficiency				最大输出时 At Maximum output			
	VDC		电流 Current	转速 Speed	电流 Current	转速 Speed	力矩 Torque	输出功率 Output Watt	电流 Current	转速 Speed	力矩 Torque	输出功率 Output Watt
JA4742	24V		2A	3850RPM	7.45A	3300RPM	0.36N.m	253.36W	23.22A	1922RPM	1.26N.m	253.36W

JA5250



用途 Applications	AMT变速器, 换挡机构 AMT transmission, Shift Actuator 分动箱 Transfer Case
特点介绍 Features	尺寸紧凑, 大扭矩 Compact size with big output torque 低噪音 Low noise 高效率 High efficiency 满足200万次寿命测试 2 million gear shifts of life test
适用车型 Applicable vehicles	新能源大巴车 物流车、轻卡、重卡 Electri/HEV buses, Logistics vehicle, Light weight trucks, heavy trucks

外形图Outline:



规格表Parameter:

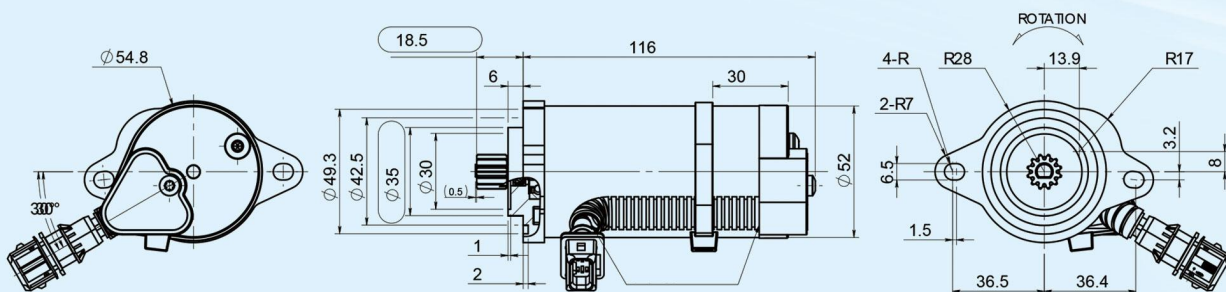
型号 Model	电压 Voltage	空载 No-load		最大效率时 At Maximum efficiency				最大输出时 At Maximum output			
	VDC	电流 Current	转速 Speed	电流 Current	转速 Speed	力矩 Torque	输出功率 Output Watt	电流 Current	转速 Speed	力矩 Torque	输出功率 Output Watt
JA5250	12V	1A	1900RPM	5.44A	1652RPM	0.3N.m	50.17W	25.66A	915RPM	1.53N.m	146.35W

JA3440



用途 Applications	AMT变速器, 换挡机构 AMT transmission, Shift Actuator 分动箱 Transfer Case
特点介绍 Features	尺寸紧凑, 大扭矩 Compact size with big output torque 低噪音 Low noise 高效率 High efficiency 满足200万次寿命测试 2 million gear shifts of life test 满足IP67防护等级 Meet IP67 protection class
适用车型 Applicable vehicles	新能源大巴车 物流车、轻卡、重卡 Electri/HEV buses, Logistics vehicle, Light weight trucks, heavy trucks

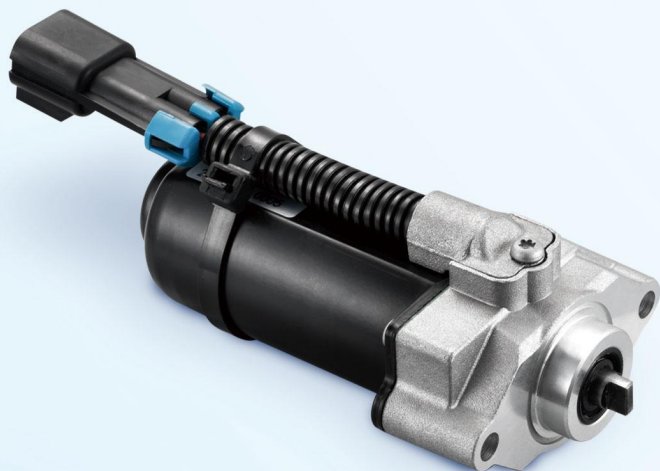
外形图Outline:



规格表Parameter:

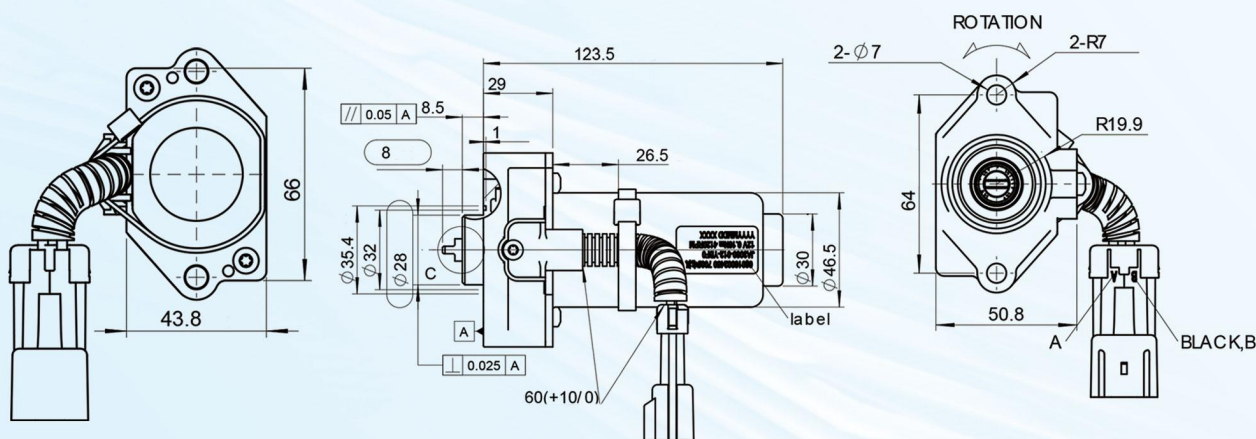
型号 Model	电压 Voltage	空载 No-load		最大效率时 At Maximum efficiency				最大输出时 At Maximum output			
	VDC	电流 Current	转速 Speed	电流 Current	转速 Speed	力矩 Torque	输出功率 Output Watt	电流 Current	转速 Speed	力矩 Torque	输出功率 Output Watt
JA3440	13V	1.95A	6446RPM	11.35A	5578RPM	0.16N.m	93.51W	34.32A	3264RPM	0.55N.m	188.06W
	24V	0.95A	5002RPM	5.48A	4362RPM	0.19N.m	84.72W	20.91A	2472RPM	0.79N.m	203.88W

JA3060



用途 Applications	AMT变速器, 换挡机构 AMT transmission, Shift Actuator 分动箱 Transfer Case
特点介绍 Features	尺寸紧凑 Compact size 低噪音 Low noise 高效率 High efficiency 满足200万次寿命测试 2 million gear shifts of life test 满足IP67防护等级 Meet IP67 protection class
适用车型 Applicable vehicles	新能源大巴车 物流车、轻卡、重卡 Electri/HEV buses, Logistics vehicle, Light weight trucks, heavy trucks

外形图Outline:



规格表Parameter:

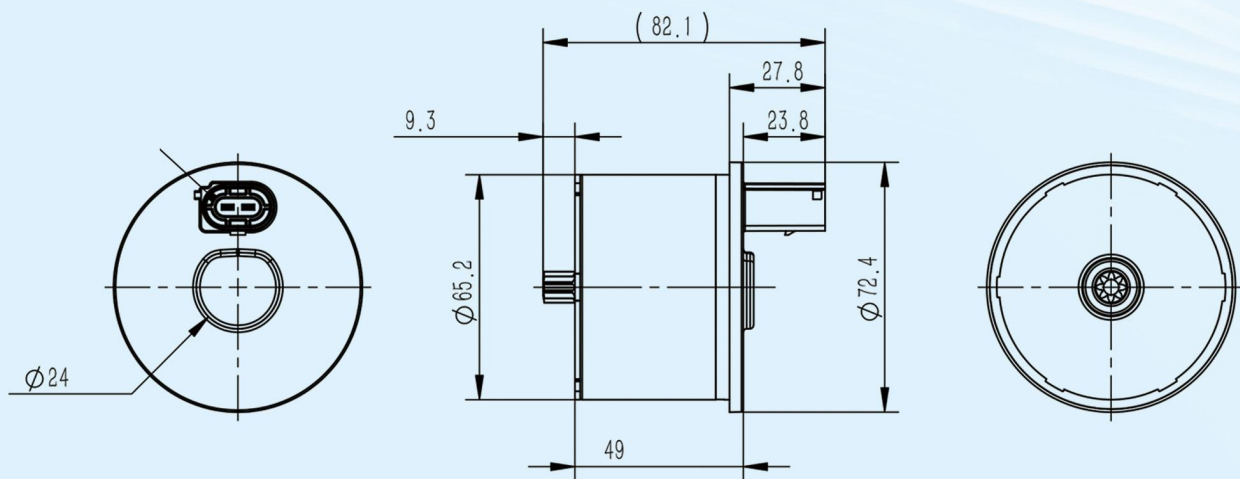
型号 Model	电压 Voltage	空载 No-load		最大效率时 At Maximum efficiency				最大输出时 At Maximum output			
	VDC	电流 Current	转速 Speed	电流 Current	转速 Speed	力矩 Torque	输出功率 Output Watt	电流 Current	转速 Speed	力矩 Torque	输出功率 Output Watt
JA3060	12V	3A	4900RPM	10.41A	4000RPM	0.16N.m	66.625W	22.26A	2486RPM	0.4N.m	104.5W

JA5420



用途 Applications	电子驻车制动系统 Electrical Park Brake System
特点介绍 Features	尺寸紧凑，大扭矩 Compact size with big output torque 低噪音 Low noise 高效率 High efficiency 寿命长 Long life 满足IP67防护等级 Meet IP67 protection class
适用车型 Applicable vehicles	商用车 Commercial vehicles 乘用车 Passenger vehicles

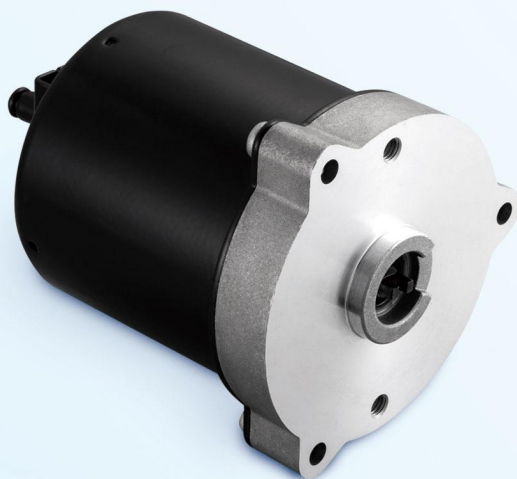
外形图Outline:



规格表Parameter:

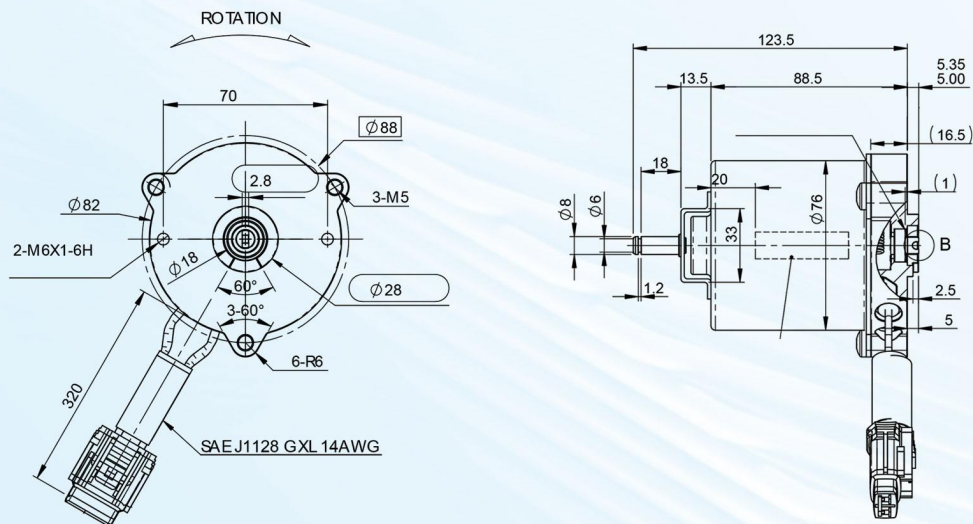
型号 Model	电压 Voltage	空载 No-load		最大效率时 At Maximum efficiency				最大输出时 At Maximum output			
	VDC	电流 Current	转速 Speed	电流 Current	转速 Speed	力矩 Torque	输出功率 Output Watt	电流 Current	转速 Speed	力矩 Torque	输出功率 Output Watt
JA5420	24V	0.69A	4040RPM	4.7A	3541RPM	0.21N.m	77.03W	19.47A	1987RPM	0.95N.m	197.96W

JA5524



用途 Applications	电子液压制动系统 Electro-hydraulic Braking System
特点介绍 Features	尺寸紧凑, 大扭矩 Compact size with big output torque 低噪音 Low noise 高效率 High efficiency 寿命长 Long life 满足IP67防护等级 Meet IP67 protection class
适用车型 Applicable vehicles	商用车 Commercial vehicles 特种车 Special vehicles

外形图Outline:



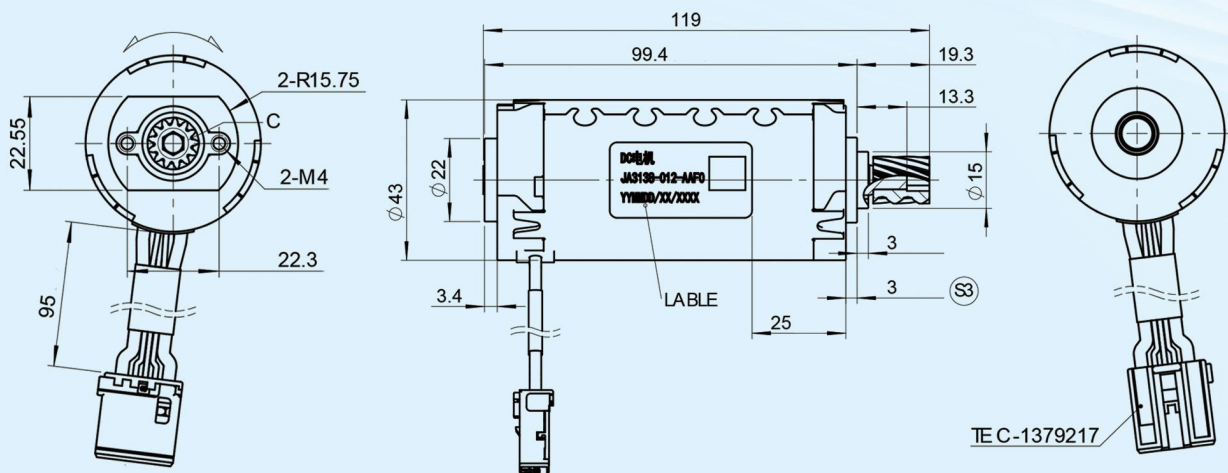
型号 Model	电压 Voltage	空载 No-load		最大效率时 At Maximum efficiency				最大输出时 At Maximum output			
	VDC	电流 Current	转速 Speed	电流 Current	转速 Speed	力矩 Torque	输出功率 Output Watt	电流 Current	转速 Speed	力矩 Torque	输出功率 Output Watt
JA5524	12V	2.91A	4127RPM	15.89A	3450RPM	0.35N.m	127.84W	44.03A	2047RPM	1.12N.m	241.07W
	24V	1.27A	3553RPM	7.76A	3038RPM	0.41N.m	131.04W	24.65A	1764RPM	1.48N.m	273.75W

JA3038



用途 Applications	电子驻车制动系统 Electrical Park Brake System
特点介绍 Features	尺寸紧凑, 大扭矩 Compact size with big output torque 低噪音 Low noise 高效率 High efficiency 寿命长 Long life 满足IP67防护等级 Meet IP67 protection class
适用车型 Applicable vehicles	商用车 Commercial vehicles 乘用车 Passenger vehicles

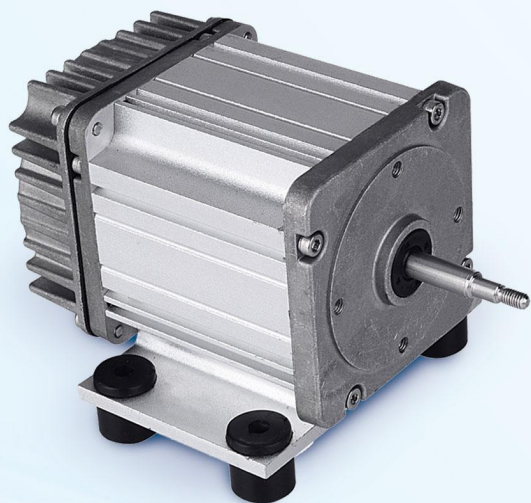
外形图Outline:



规格表Parameter:

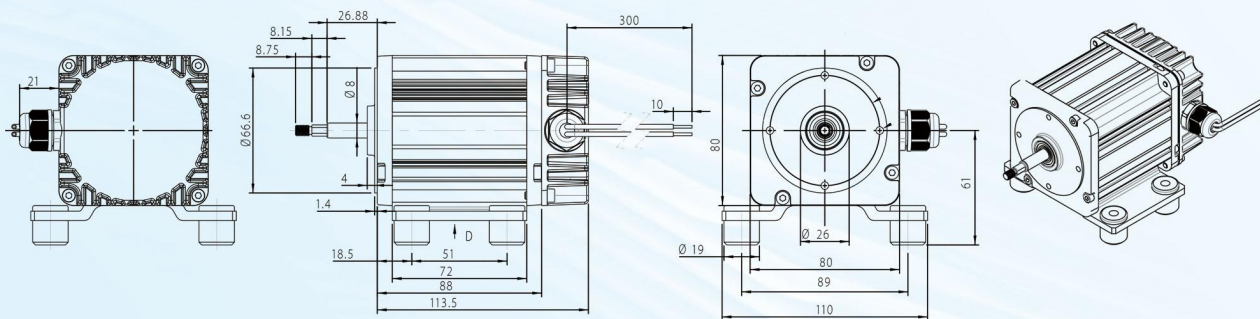
型号 Model	电压 Voltage	空载 No-load		最大效率时 At Maximum efficiency				最大输出时 At Maximum output			
	VDC	电流 Current	转速 Speed	电流 Current	转速 Speed	力矩 Torque	输出功率 Output Watt	电流 Current	转速 Speed	力矩 Torque	输出功率 Output Watt
JA3038	12V	3A	8800RPM	14.35A	7296RPM	0.148N.m	113.42W	35.69A	4414RPM	0.43N.m	197.7W

JAB7430



用途 Applications	冷却系统 Cooling system
特点介绍 Features	尺寸紧凑, 大扭矩 Compact size with big output torque
	低噪音 Low noise
	高效率 High efficiency
	寿命长 Long life
	多重电子保护 Multiple electronic protection
适用车型 Applicable vehicles	商用车 Commercial vehicles
	电动、混动大巴车
	Electric/HEV buses

外形图Outline:



规格表Parameter:

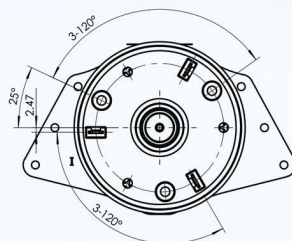
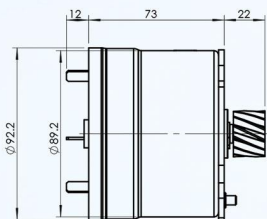
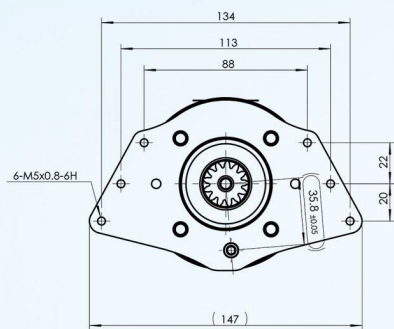
型号 Model	电压 Voltage	空载 No-load		最大效率 At Max efficiency				最大输出 At Max output				驱动方式 Driving mode
	VDC	电流 Current	转速 Speed	电流 Current	转速 Speed	力矩 Torque	输出功率 Output Watt	电流 Current	转速 Speed	力矩 Torque	输出功率 Output Watt	
JAB7430	24V	0.8A	2650RPM	7A	2400RPM	590mN.m	150W	35A	1300RPM	3N.m	400W	方波驱动 Square-wave drive

JAB8616



用途 Applications	电子液压制动系统(EHB) Electro-hydraulic Braking System
特点介绍 Features	尺寸紧凑, 大扭矩 Compact size with big output torque 低噪音 Low noise 高效率 High efficiency 寿命长 Long life
适用车型 Applicable vehicles	商用车 Commercial vehicles 乘用车 Passenger vehicles 无人车 Unmanned vehicles

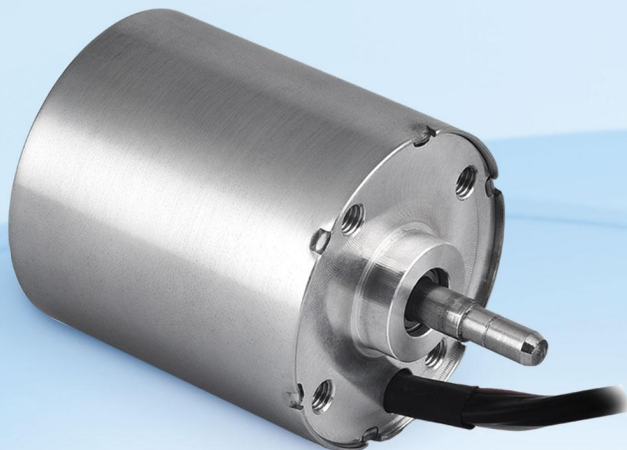
外形图Outline:



规格表Parameter:

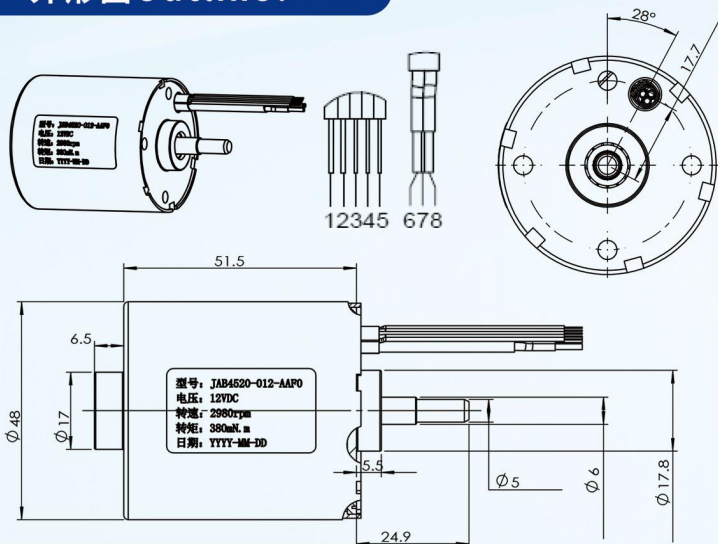
型号 Model	电压 Voltage	空载 No-load		最大效率 At Max efficiency				最大输出 At Max output				驱动方式 Driving mode
	VDC	电流 Current	转速 Speed	电流 Current	转速 Speed	力矩 Torque	输出功率 Output Watt	电流 Current	转速 Speed	力矩 Torque	输出功率 Output Watt	
JAB8616	13.5V	2.2A	2820RPM	16A	2500RPM	650mN.m	170W	68A	1400RPM	3N.m	450W	FOC驱动 FOC drive

JAB4520



用途 Applications	线控机械式制动器(EMB) Electro-Mechanical Braking system 废气再循环系统 EGR system
特点介绍 Features	尺寸紧凑, 大扭矩 Compact size with big output torque 低噪音 Low noise 高效率 High efficiency 寿命长 Long life 耐高温 High temperature resistance
适用车型 Applicable vehicles	商用车 Commercial vehicles 乘用车 Passenger vehicles

外形图 Outline:



编号	颜色	规格	用途
PCB引线			
1	红	UL2651 AWG28	VCC
2	灰		GND
3	灰		Hall V
4	灰		Hall U
5	灰		Hall W
三相电源线			
6	红	YGZ 3×1mm ²	U
7	黑		V
8	黄		W

规格表 Parameter:

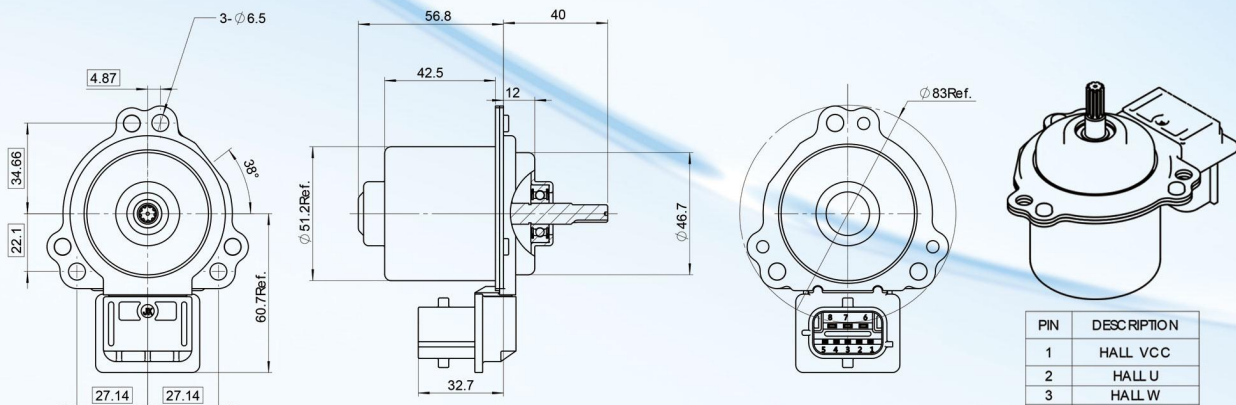
型号 Model	电压 Voltage	空载 No-load		最大效率 At Max efficiency				最大输出 At Max output				驱动方式 Driving mode
	VDC	电流 Current	转速 Speed	电流 Current	转速 Speed	力矩 Torque	输出功率 Output Watt	电流 No-load	转速 Speed	力矩 Torque	输出功率 Output Watt	
JAB4520	12V	2A	5000RPM	7A	4100RPM	0.140N.m	60W	25A	500RPM	2.5N.m	130W	FOC驱动 FOC drive

JAB4820



用途 Applications	变速箱换挡执行器 Transmission Shift Actuator
特点介绍 Features	尺寸紧凑, 大扭矩 Compact size with big output torque 低噪音 Low noise 高效率 High efficiency 寿命长 Long life 耐高温 High temperature resistance 满足IP67防护等级 Meet IP67 protection class
适用车型 Applicable vehicles	商用车 Commercial vehicles 乘用车 Passenger vehicles 无人车 Unmanned vehicles

外形图Outline:



PIN	DESCRIPTION
1	HALL VCC
2	HALL U
3	HALL W
4	HALL V
5	HALL GND
6	U
7	W
8	V

规格表Parameter:

型号 Model	电压 Voltage	空载 No-load		最大效率 At Max efficiency				最大输出 At Max output				驱动方式 Driving mode
	VDC	电流 Current	转速 Speed	电流 Current	转速 Speed	力矩 Torque	输出功率 Output Watt	电流 Current	转速 Speed	力矩 Torque	输出功率 Output Watt	
JAB4820	12V	3A	6400RPM	12.409A	4813RPM	0.2024N.m	102.013W	22.35A	3226RPM	0.41775N.m	141.118W	方波驱动 Square-wave drive



江口电器制造有限公司

JIANGKOU ELECTRIC APPLIANCE MANUFACTORY LTD.

 **地址：中国广东省台山市大江镇江南大道88号**
Add: No.88, Jiangnan Rd, Dajiang Town, Taishan, Guangdong, P.R.C.

 **电话(Tel): 86-750-5439888 5439333**

 **邮编: 529261**

 **邮箱: sales@jiangkou.com**

 **官方网站: <http://www.jiangkou.com>**