

Yongchao Caterpillar & Komatsu 2015

www.hzyongchao.com



FIG:A

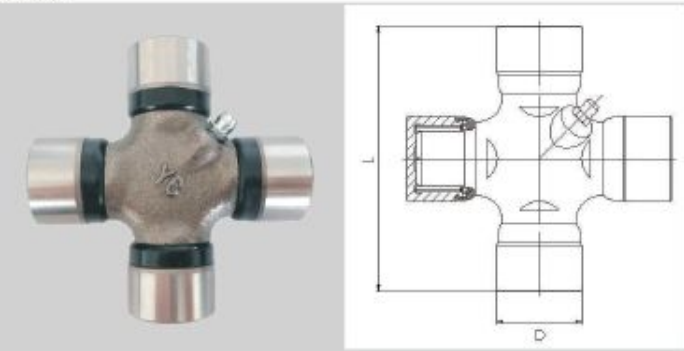


FIG:B

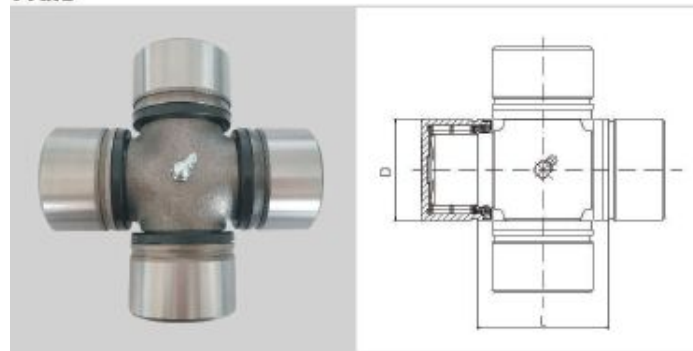


FIG:C

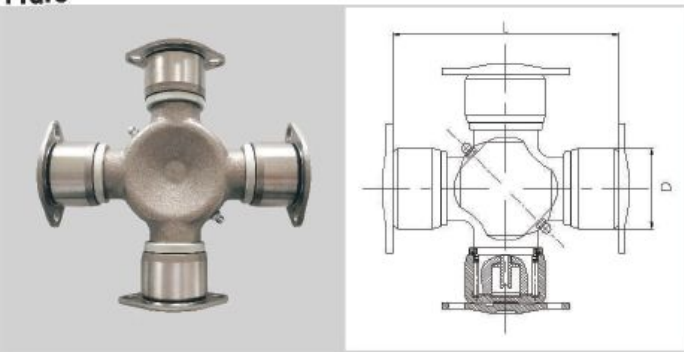


FIG:D

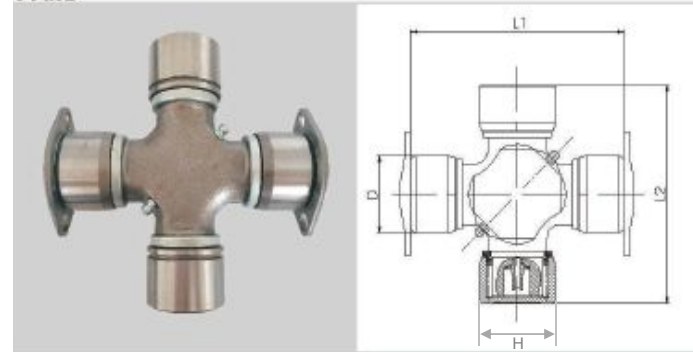


FIG:E

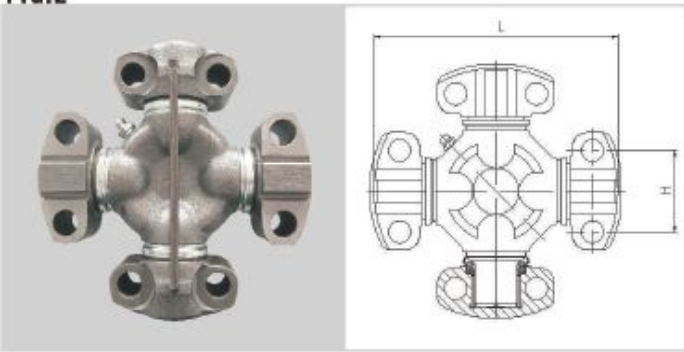
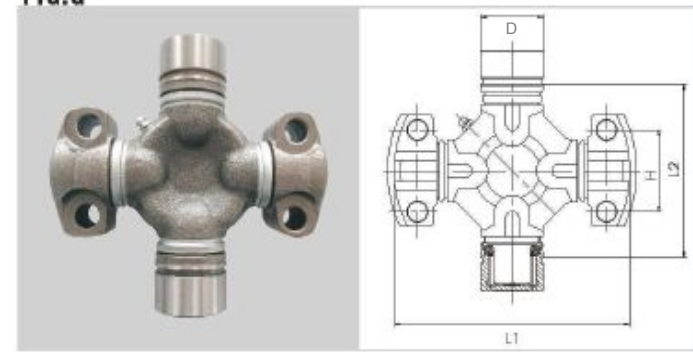


FIG:G



CATERPILLAR No.	Part No.	D.(mm)	L.(mm)	Type	Application
159670	U131	19.00	48.00	A	
2T0095	U131	19.00	48.00	A	
2Y6471	U131	19.00	48.00	A	
3H0301	U131	19.00	48.00	A	
3H7364	U131	19.00	48.00	A	
7G9555	U131	19.00	48.00	A	
7K3526	U131	19.00	48.00	A	
8K8002	U131	19.00	48.00	A	
9H2477	U131	19.00	48.00	A	
9H2478	U131	19.00	48.00	A	
5V5474	U952	34.90	126.20	A	SPICER 1550
9C8367	U952	34.90	126.20	A	SPICER 1550
9C4537	U225	27.00	81.70	A	
5F2426	U326	31.80	81.40	A	ROCKWELL 35N
7F3679	U326	31.80	81.40	A	ROCKWELL 35N
1S9163	U146	22.20	63.50	A	
982915	U040	23.80	61.30	A	Hardy Spicer 1140
826860	U110	27.00	74.50	A	Hardy Spicer 1300, Glaenzer Spicer 1305
2G4157	U110	27.00	74.50	A	Hardy Spicer 1300, Glaenzer Spicer 1305
8P8132	U110	27.00	74.50	A	Hardy Spicer 1300, Glaenzer Spicer 1305
8V1540	U110	27.00	74.50	A	Hardy Spicer 1300, Glaenzer Spicer 1305
542213	U200	30.20	106.30	A	Hardy Spicer 1410, Glaenzer Spicer 1410
773127	U200	30.20	106.30	A	Hardy Spicer 1410, Glaenzer Spicer 1410



CATERPILLAR No.	Part No.	D.(mm)	L.(mm)	Type	Application
831834	U200	30.20	106.30	A	Hardy Spicer 1410, Glaenzer Spicer 1410
7X4961	U200	30.20	106.30	A	Hardy Spicer 1410, Glaenzer Spicer 1410
775226	U220	30.20	92.00	A	Hardy Spicer 1350, & Nissan Patrol
5V7199	U220	30.20	92.00	A	Hardy Spicer 1350, & Nissan Patrol
7X4960	U220	30.20	92.00	A	Hardy Spicer 1350, & Nissan Patrol
740028	U350	39.70	115.90	A	Hardy Spicer 1510
815009	U350	39.70	115.90	A	Hardy Spicer 1510
1S9670	U901	19.00	48.00	A	173.2
702059	U153	23.80	34.70	B	SPICER 1000
817189	U153	23.80	34.70	B	SPICER 1000
817190	U153	23.80	34.70	B	SPICER 1000
7X8698	U153	23.80	34.70	B	SPICER 1000
1S0678	U156	24.60	33.70	B	ROCKWELL L6
3H6263	U156	24.60	33.70	B	ROCKWELL L6
5S7579	U156	24.60	33.70	B	ROCKWELL L6
202978	U155	24.60	38.60	B	
202981	U155	24.60	38.60	B	
6G0976	U155	24.60	38.60	B	
9B9915	U155	24.60	38.60	B	
R7X7352	U609	28.60	58.30	B	DIAHATSU
R7X7356	U609	28.60	58.30	B	DIAHATSU
R2X1972	U961	28.60	65.80	B	GM, MECH S44
R7X7355	U961	28.60	65.80	B	GM, MECH S44
775152	U400	47.60	135.00	C	SPICER 1610 5/16 UNF



CATERPILLAR No.	Part No.	H.(mm)	T.(mm)	Type	Application
5D3248	U824	36.50	90.40	E	3C 4LWD
5D9153	U824	36.50	90.40	E	3C 4LWD
6L1516	U824	36.50	90.40	E	3C 4LWD
9K1971	U824	36.50	90.40	E	3C 4LWD
9H9491	U575	71.40	209.50	E	9C 4HWT
650706	U264	88.90	222.10	E	J600 4HWD TWDISC 20mm(3/4) bolt holes
924737	U650	42.90	115.00	E	5C 4LWT, 3/8 24unf
943235	U650	42.90	115.00	E	5C 4LWT, 3/8 24unf
7J5241	U650	42.90	115.00	E	5C 4LWT, 3/8 24unf
7J5251	U650	42.90	115.00	E	5C 4LWT, 3/8 24unf
XX I 894-7	U650	42.90	115.00	E	5C 4LWT, 3/8 24unf
641152	U473	49.20	148.40	E	7C 4LWT
8F7719	U473	49.20	148.40	E	7C 4LWT
803144	U474	71.40	209.50	E	9C 4HWD 13.5mm bolt hole
2R0801	U474	71.40	209.50	E	9C 4HWD 13.5mm bolt hole
3H6449	U474	71.40	209.50	E	9C 4HWD 13.5mm bolt hole
4V4735	U474	71.40	209.50	E	9C 4HWD 13.5mm bolt hole
5H3756	U474	71.40	209.50	E	9C 4HWD 13.5mm bolt hole
5S5680	U474	71.40	209.50	E	9C 4HWD 13.5mm bolt hole
6K0885	U474	71.40	209.50	E	9C 4HWD 13.5mm bolt hole
6M9762	U474	71.40	209.50	E	9C 4HWD 13.5mm bolt hole
7H3958	U474	71.40	209.50	E	9C 4HWD 13.5mm bolt hole



CATERPILLAR No.	Part No.	H.(mm)	T.(mm)	Type	Application
8W9912	U474	71.40	209.50	E	9C 4HWD 13.5mm bolt hole
9P0604	U474	71.40	209.50	E	9C 4HWD 13.5mm bolt hole
9V3812	U474	71.40	209.50	E	9C 4HWD 13.5mm bolt hole
9V7705	U474	71.40	209.50	E	9C 4HWD 13.5mm bolt hole
9V7710	U474	71.40	209.50	E	9C 4HWD 13.5mm bolt hole
943221	U475	36.50	107.80	E	4C 4LWT 5/16" 24 UNF. 2B / -
1K2741	U475	36.50	107.80	E	4C 4LWT 5/16" 24 UNF. 2B / -
1K3094	U475	36.50	107.80	E	4C 4LWT 5/16" 24 UNF. 2B / -
1K3099	U475	36.50	107.80	E	4C 4LWT 5/16" 24 UNF. 2B / -
1K9467	U475	36.50	107.80	E	4C 4LWT 5/16" 24 UNF. 2B / -
6F7160	U475	36.50	107.80	E	4C 4LWT 5/16" 24 UNF. 2B / -
6F9190	U475	36.50	107.80	E	4C 4LWT 5/16" 24 UNF. 2B / -
6H1261	U475	36.50	107.80	E	4C 4LWT 5/16" 24 UNF. 2B / -
8H3853	U475	36.50	107.80	E	4C 4LWT 5/16" 24 UNF. 2B / -
9K3970	U475	36.50	107.80	E	4C 4LWT 5/16" 24 UNF. 2B / -
643633	U476	42.90	140.40	E	6C 2HWD/2LWT 10.2mm, 3/8X24
686690	U476	42.90	140.40	E	6C 2HWD/2LWT 10.2mm, 3/8X24
1250	U477	33.30	79.30	E	2C 4LWT
451105	U477	33.30	79.30	E	2C 4LWT
673627	U477	33.30	79.30	E	2C 4LWT
683574	U477	33.30	79.30	E	2C 4LWT
XX I 894-6	U477	33.30	79.30	E	2C 4LWT
201844	U640	36.50	107.80	E	4C 4HWD 8.75 BOLT HOLES

CATERPILLAR No.	Part No.	H.(mm)	T.(mm)	Type	Application
2Y7347	U640	36.50	107.80	E	4C 4HWD 8.75 BOLT HOLES
5K5012	U640	36.50	107.80	E	4C 4HWD 8.75 BOLT HOLES
5V1168	U640	36.50	107.80	E	4C 4HWD 8.75 BOLT HOLES
6K0316	U640	36.50	107.80	E	4C 4HWD 8.75 BOLT HOLES
686343	U478	49.20	206.30	E	8C 4HWD
1M8804	U478	49.20	206.30	E	8C 4HWD
4L6929	U478	49.20	206.30	E	8C 4HWD
5H2308	U478	49.20	206.30	E	8C 4HWD
6H2579	U478	49.20	206.30	E	8C 4HWD
9P4809	U478	49.20	206.30	E	8C 4HWD
4L6325	U480	49.20	148.40	E	7C 2HWD/2HWT
7J5242	U480	49.20	148.40	E	7C 2HWD/2HWT
358111	U600	33.30	79.30	E	2C 2LWT/2LWD
369764	U600	33.30	79.30	E	2C 2LWT/2LWD
656902	U600	33.30	79.30	E	2C 2LWT/2LWD
945581	U600	33.30	79.30	E	2C 2LWT/2LWD
D2X2203	U600	33.30	79.30	E	2C 2LWT/2LWD
750990	U486	36.50	107.80	E	4C 2HWD/2LWT 5/16" 24 UNF. 2B / 8.75
5M0800	U486	36.50	107.80	E	4C 2HWD/2LWT 5/16" 24 UNF. 2B / 8.75
5M5275	U486	36.50	107.80	E	4C 2HWD/2LWT 5/16" 24 UNF. 2B / 8.75
1X8769	U487	42.90	140.40	E	6C 2LWT/2LWD 3/8X24,10.4mm
2T0096	U488	71.40	165.10	E	8.5C 4HWD 13.5mm bolt hole
2T3013	U488	71.40	165.10	E	8.5C 4HWD 13.5mm bolt hole

CATERPILLAR No.	Part No.	H.(mm)	T.(mm)	Type	Application
2V7153	U488	71.40	165.10	E	8.5C 4HWD 13.5mm bolt hole
7J5245	U490	42.90	115.00	E	5C 2LWD/2LWT 10.4 3/8x24
8L6301	U490	42.90	115.00	E	5C 2LWD/2LWT 10.4 3/8x24
9C0379	U491	49.20	134.90	E	4DWT rockwell 58WB
1V3639	U493	71.40	165.10	E	8.5C 4LWT 1/2" 20UNF
7K0442	U493	71.40	165.10	E	8.5C 4LWT 1/2" 20UNF
6F0011	U494	36.50	107.80	E	4C 4LWD
XX7146	U499	49.20	206.30	E	8C 4LWT
807719	U675	49.20	148.40	E	7C 4HWD
2H0858	U675	49.20	148.40	E	7C 4HWD
2T1434	U675	49.20	148.40	E	7C 4HWD
3H6104	U675	49.20	148.40	E	7C 4HWD
3K7276	U675	49.20	148.40	E	7C 4HWD
6H2577	U675	49.20	148.40	E	7C 4HWD
8K6042	U675	49.20	148.40	E	7C 4HWD
9P0356	U675	49.20	148.40	E	7C 4HWD
659266	U510	42.90	115.00	E	5C 4HWD 10.2 bolt holes
800537	U510	42.90	115.00	E	5C 4HWD 10.2 bolt holes
1J0843	U510	42.90	115.00	E	5C 4HWD 10.2 bolt holes
2K3631	U510	42.90	115.00	E	5C 4HWD 10.2 bolt holes
5T1362	U510	42.90	115.00	E	5C 4HWD 10.2 bolt holes
5T8739	U510	42.90	115.00	E	5C 4HWD 10.2 bolt holes
6G4356	U510	42.90	115.00	E	5C 4HWD 10.2 bolt holes
8Y0809	U510	42.90	115.00	E	5C 4HWD 10.2 bolt holes



CATERPILLAR No.	Part No.	D.(mm)	H.(mm)	L1.(mm)	L2.(mm)	Type	Application
5D8293	U205	25.40	33,3	79.3	54.6	G	2C LWD
6D2529	U205	25.40	33,3	79.3	54.6	G	2C LWD
6L6449	U205	25.40	33,3	79.3	54.6	G	2C LWD
7V4077	U429	47.60	47.60	135	135	D	SPICER 1610-Half Round
8V7177	U429	47.60	47.60	135	135	D	SPICER 1610-Half Round
7V3842	U442	49.20	49.20	154.7/157	154.7/157	D	SPICER 1710 half round

KOMATSU No.	Part No.	D.(mm)	L.(mm)	Type	Application
380-154087-1	U635	30.20	92.00	A	Hardy Spicer 1430
145-14-00190	U131	19.00	48.00	A	
145-14-35110	U131	19.00	48.00	A	
175-60-11520	U131	19.00	48.00	A	
381-97-6908-1	U131	19.00	48.00	A	
385-101-78571	U131	19.00	48.00	A	
20G-22-22691	U952	34.90	126.20	A	SPICER 1550
20B-22-32691	U225	27.00	81.70	A	
154-66-12100	U050	23.80	61.30	A	Hardy Spicer 1140, Glaenzer Spicer 1120

KOMATSU No.	Part No.	H.(mm)	L.(mm)	Type	Application
195-20-11100	U474	71.40	209.50	E	9C 4HWD 13.5mm bolt hole
421-20-12620	U474	71.40	209.50	E	9C 4HWD 13.5mm bolt hole
135-14-00030	U660	42.90	140.40	E	6C 4HWD 10.2mm
381-97-6907-1	U660	42.90	140.40	E	6C 4HWD 10.2mm
111-10-16110	U640	36.50	107.80	E	4C 4HWD 8.75 BOLT HOLES
113-12-00010	U640	36.50	107.80	E	4C 4HWD 8.75 BOLT HOLES
424-20-12620	U478	49.20	206.30	E	8C 4HWD
425-20-11620	U478	49.20	206.30	E	8C 4HWD
101-10-00070	U600	33.30	79.30	E	2C 2LWT/2LWD
101-10-17100	U600	33.30	79.30	E	2C 2LWT/2LWD
175-20-00060	U488	71.40	165.10	E	8.5C 4HWD 13.5mm bolt hole
144-10-12610	U675	49.20	148.40	E	7C 4HWD
232-20-52112	U675	49.20	148.40	E	7C 4HWD
232-20-54110	U675	49.20	148.40	E	7C 4HWD
380-136142-1	U675	49.20	148.40	E	7C 4HWD
381-12-4149	U675	49.20	148.40	E	7C 4HWD
385-10193741	U675	49.20	148.40	E	7C 4HWD
385-101-93741	U675	49.20	148.40	E	7C 4HWD
131-10-46110	U510	42.90	115.00	E	5C 4HWD 10.2 bolt holes
238-20-11310	U510	42.90	115.00	E	5C 4HWD 10.2 bolt holes
362-20-11210	U510	42.90	115.00	E	5C 4HWD 10.2 bolt holes
380-89-0373-1	U510	42.90	115.00	E	5C 4HWD 10.2 bolt holes
381-88-19081	U510	42.90	115.00	E	5C 4HWD 10.2 bolt holes
417-20-12620	U474	71.40	209.50	E	9C 4HWD 13.5mm bolt hole



KOMATSU No.	Part No.	D.(mm)	H.(mm)	L1.(mm)	L2.(mm)	Type	Application
419-20-12621	U332	33.30	42.90	140.4	105..08	G	6C 2LWT+2RDG

Hangzhou Yongchao Machinery Co.,Ltd.

Add: Zhen Ning Road22,Xiaoshan District, Hangzhou, Zhejiang P.R.China.
Postcode: 311215 [Http:www.hzyongchao.com](http://www.hzyongchao.com)
Tel: +86-571-82871666 Fax: +86-571-82876870
info@hzyongchao.com sales@hayongchao.com

Hangzhou Yongchao UJ Shaft Korea

Add: 9,Beodeul_Ro 1369beon-Gil, Paltan-Myeon, Hwaseong-Si, Gyeonggi-Do 445-918, Republic of Korea.
Tel:+82-31-3545318 Fax:+82-31-3545318

