

2014 Catalogue



YONGCHAO

UNIVERSAL JOINT

www.hzyongchao.com



INTRODUCTION

Established in 2000, Hangzhou Yongchao Machinery Co., Ltd is a professional manufacture of universal joints .We are a modern enterprise which includes development, design, distribution and other service. Our company has the domestic first-class manufacturing and testing equipment. All the processes ,as lathe, heat treatment, grinding and assemblage, are consummated by advanced automation equipment. Our universal joint kits are to be used car, jeep, truck and agricultural machinery

We have come to be a good quality products supplier. We have been designated as the OEM supplier of ZOOMLION and SANY. Our universal joints are well-sold many countries, including Korea, USA, Germany, Italy, Russia and other countries.

We can produce new or non-standard models under customer' s request. If there are any items in this catalogue that catch your attention, please feel free to contact us.





Quality is the life of the company



FIG:A

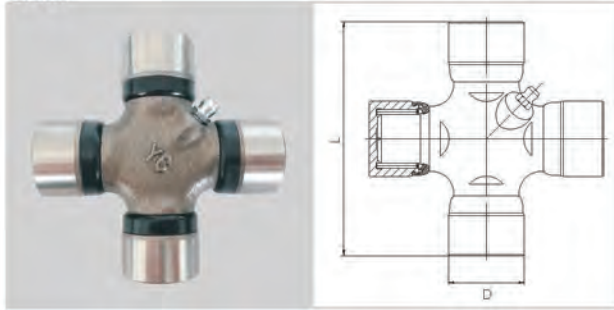


FIG:B

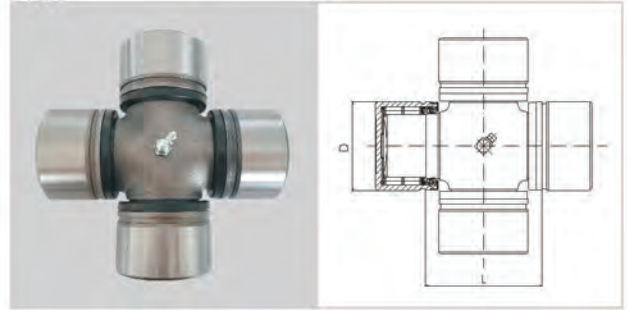


FIG:C

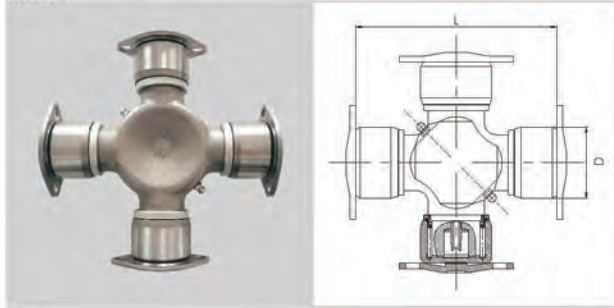


FIG:D

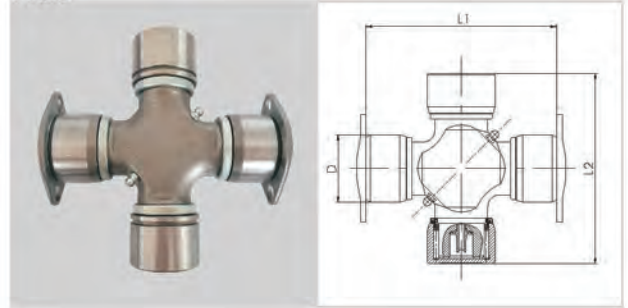


FIG:E

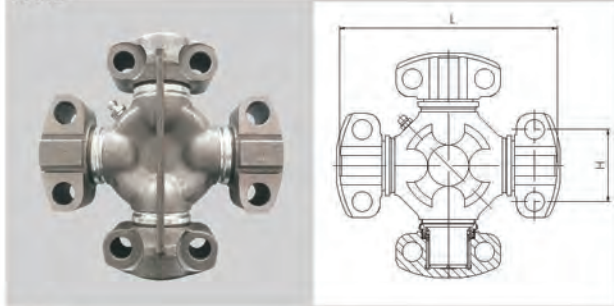


FIG:F

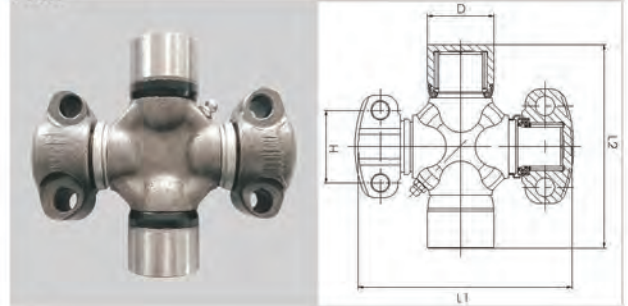


FIG:G

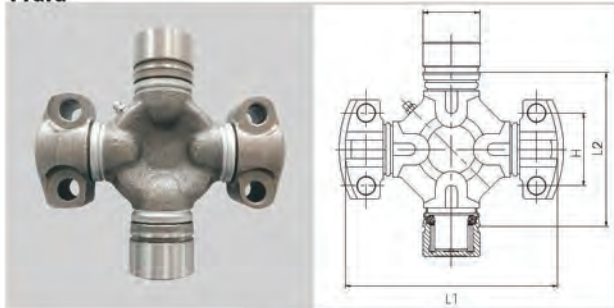


FIG:H

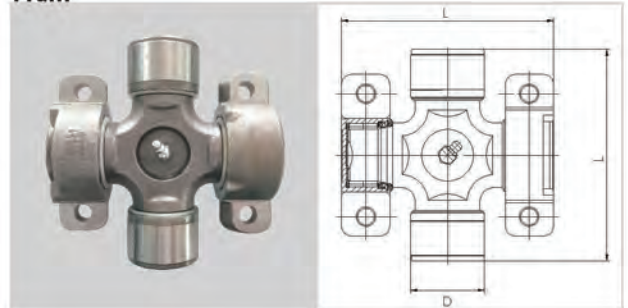
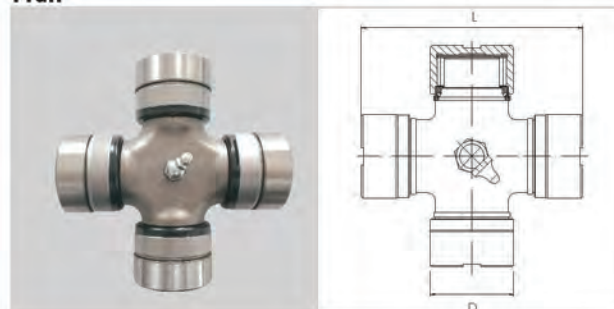


FIG:I





UNIVERSAL JOINT

with 4 plain round bearings

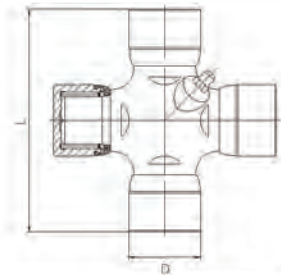


FIG	PART NO	D	L	Lube
A	ST1538	15	38	N
A	ST1539	15	39	N
A	ST1638	16	38	N
A	F110	16	38.5	N
A	ST1639	16	39	N
A	ST1640	16	40	N
A	EQ153转	18	47	B&M
A	ST1940	19	40	N
A	19*47	19	47	A
A	AP1-00	22	54	M
A	AP0-10	22	54.8	M
A	EG10	22.02	54.15	M
A	IU50	23.818	61.3	A
A	GU500	23.82	61.3	A
A	EQ140转	24	63	A
A	50.267.000	24	63.2	N
A	GUM-91	25	77	A
A	CH1018A	25.017	63.99	M
A	LZ111	25.02	63.99	N
A	UW26070	26.02	70	N
A	AP3-11	26.98	70	M
A	AP4-21	26.98	74.6	M
A	AP3506	26.98/30.975	76/94	M
A	CZ-120	27	62	A
A	UW27064	27	63.5	M
A	GU1100	27	74.6	A
A	GUMZ-16	27	74.6	N
A	GUK-12	27	80	A
A	UW27082	27	81.6	A
A	XJ213	27	81.72	N
A	5-153X	27	81.78	A
A	5-785X	27	81.78	N
A	YC27082	27	81.8	A
A	5-460X	27/30.2	82/93.3	A
A	5-273X	27	92	A
A	5-790X	27	92	N
A	UW27085	27	85	A

A:Regular lube fitting in cross

B:Regular lube fitting in end of bearing cup

M:Regular lube fitting in center of cross

N:No lube

UNIVERSAL JOINT with 4 plain round bearings

FIG	PART NO	D	L	Lube
A	EG30	27.02	70.15	M
A	UW28072	28	72	M
A	TD-184	28	80	M
A	5-1509X	28.52	77.7	M
A	GUIS71	29	76	A
A	BJ1305	30	88	A
A	KC1819YCC	30	78	M
A	UW30082	30	82.4	M
A	5-178X	30.188	92.075	A
A	5-799X	30.188	92	N
A	5-160X	30.188	106.35	A
A	5-801X	30.188	106.35	N
A	687.20	30.2	82	M
A	GU7420	30.2	82	M
A	GUM-75	31.76	102	M
A	AP035	31.975	76	M
A	Ap3606	31.975/36	88.8/106	M
A	AP0-35	32	76	M
A	A5912	32	105	M
A	BJ130C	32	93	A
A	GUIS-66	33	93	M
A	GUIS-73	33	103	M
A	UW34096	33.4	96	M
A	GUT-30	33.4	96	M
A	UW34097	34	97	A
A	UW35092	34.93	92	M
A	648.700	34.92	94	A
A	5-188X	34.93	106.31	A
A	UW35106	34.93	106.31	M
A	5-803X	34.93	106.31	N
A	5-155X	34.93	126.22	A
A	UW35082	35	82	M
A	W50L/K(F)	35	96	M
A	GU7430	35	96.8	M
A	NJ130	35	98	A
A	GUT-28	35	99	M
A	GUN32	35.5	119.2	A
A	AP036	36	88.8	M
A	GUH-65	36	110.3	A
A	T620	36	104	M
A	TM182	38	104	M
A	UW38111	38	111	M
A	U744	38.03	105.6	M

FIG	PART NO	D	L	Lube
A	EQ140	39	118	A
A	EQ140-2	39	118	M
A	Gu3500	39.68	116	A
A	FK102	40	111	M
A	GUIS-64	40	114.94	M
A	UW41118P	41	118	M
A	SPL90-1X	41.28	126	M
A	5-165X	41.24	142	M
A	620.026	42	104	M
A	U852	42	104.5	M
A	UW42118	42	117.7	B&M
A	UW42119	42	119	M
A	UW42126	42.03	126	M
A	UW42105	42.03	104.5	M
A	U447	42.12	104.5	M
A	595826800	42.12	119.5	M
A	UW43126	43	126	M
A	TK43-128	43	128	M
A	TN141	43	136	A
A	GU3800	44	126	M
A	5-12276X	44	149	M
A	GU-7530	45	120	M
A	W50L/K®	45	126	M
A	GUIS-65	45.98	136	M
A	GUH-62	47	138	M
A	UW47140P	47	140	M
A	EQ153-1	47	140/143	A
A	EQ153	47	140	A
A	T815后	47	156	M
A	W50LA	47	132	M
A	KU-1	47.04	132	M
A	5-674X-4R	47.6	135	A
A	687.40	47.6	135.17	A
A	GU4000	47.64	135	A
A	GU9730	48	116.4	M
A	286.33	48	125.8	M
A	GU-7620	48	126	M
A	CA1160K2	48	127	M
A	687.40-1	48	135.2	M
A	5-12062X	48	161	M
A	U762	48.05	125.8	M
A	5-12007X	49.195	161	A
A	687.50	49.2	154.95	A
A	SPL140-X	49.22	139	M
A	F2	50	152.7	M
A	GU-3810	50	152.6	M

A:Regular lube fitting in cross

B:Regular lube fitting in end of bearing cup

M:Regular lube fitting in center of cross

N:No lube

UNIVERSAL JOINT with 4 plain round bearings

FIG	PART NO	D	L	Lube
A	ZY-W50135	50	135	M
A	5-12278X	50	164	M
A	587.30	52	133	M
A	687.45	52	147.2	M
A	UW52161	52	161	M
A	GU-7610	53	135	M
A	SPL170-X	55	164	M
A	5-185X	55.5	205.2	M
A	587.35	57	144	M
A	587.42	57	152	M
A	1651229	57	152.6	M
A	5-12072X	57	162.9	M
A	5-12072X-A	57	164	M
A	UW57172	57	172	M
A	U763	57.07	152	M
A	U813	57.07	144	M
A	PP324-1	59	167	M
A	20KN-M	60	162	M
A	SPL250-X	60	163	M
A	UW62149	62	149	M
A	UW62160	62	160	M
A	UW62170	62	170	M
A	玛斯525KH	62	149	M
A	Yc64152	63.5	152	M
A	CZ-280	65	190	M
A	587.48	65	172	M
A	UW65190	65.045	190	M
A	YC6565	65.07	172/190	M
A	YC6500	65.07	172	M
A	ZK6800-1	68	166	M
A	YC68173	68	173	M
A	UW70166	70	166	M
A	UW70178PA	70	178	M
A	UW72185P	72	185	M
A	587.55	74	210	M
A	587.60	83	218	M
A	YC4348	48/43	116/136	M
A	YC5557	57/55	152/164	M

A:Regular lube fitting in cross

B:Regular lube fitting in end of bearing cup

M:Regular lube fitting in center of cross

N:No lube



UNIVERSAL JOINT

with 4 grooved round bearings

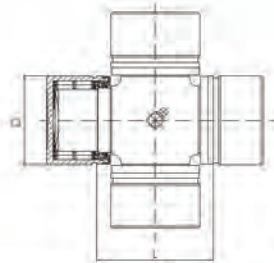


FIG	PART NO	D	L	Lube
B	GUN-20	20	35	A
B	GUN28	20.01	35	A
B	GUM-95	22	37.4	B
B	GUD88	22.5	34.9	A
B	5-170X	23.83	34.85	M
B	40.805.000	24	34.3	A
B	GUN27	24.01	41	B
B	UN25048	24.4	48	A
B	UN25041	25	41.2	B
B	GUMZ-7	25	41.2	B
B	GUT13	26	42	B
B	GUT-12	26	53.6	A
B	5-456X	27	38.38	N
B	5-544X	27/28.6	57.44/60.2	A
B	5-1200X	27	57.4	A
B	5-1200X-1	27	57.4	A
B	5-1203X	27	67.6	A
B	5-1307X	27.4	49.42	A
B	5-1306X	27.4	50.8	A
B	5-353X	27.4/27	50.914/56.86	A
B	GUMZ-6	28	55.8	A
B	5-2173X	28.6/25.4	55.5/55.5	A
B	5-1201X	28.6/27	55.5/59.5	A
B	5-3022X	28.6/27	61.8/57.3	A
B	5-354X	28.6/27	63.86/57.3	A
B	Pt360	28.6/27.4	63.86/50.9	A
B	5-3147X	28.6	60.2	A
B	5-3147X	28.6	60.2/65.12	A
B	5-1309X	28.6	63.96	A
B	5-4015X	28.6	77.6	A
B	GUT21	29	49	A
B	GUT-23	29	49	A
B	GUIS52	29	50	A
B	GUIS-74	29	69	B
B	GUIS-46	29	69	A
B	UN29069	29	69	N
B	BJ212	30	55	A
B	YC3055	30	55	A

A:Regular lube fitting in cross

B:Regular lube fitting in end of bearing cup

M:Regular lube fitting in center of cross

N:No lube

FIG	PART NO	D	L	Lube
B	RU212	30	55	N
B	GUM-93	30	55.1	M
B	UN30060	30	60	
B	UN30071	30.03	71	A
B	5-297X	30.2	50.8	M
B	5-1205X	30.2	61.9	A
B	5-1300X	31.3	46	M
B	5-1301X	31.3	71.5	A
B	GUMZ-3	32	57	M
B	GUT-20	32	61	A
B	GUN25	32	64.8	A
B	40.555.000-1	33.35	79.2	A
B	567	33.35	104.25	A
B	UW34051	34	51.2	M
B	T-0328	34.93	71.2	A
B	GUMZ-8	37	67	M
B	U730	38	56.8	M
B	GU-7300	38	57.2	M
B	5-1506	38	57	M
B	AE-7245	41.275	104.5	A
B	GU7470	42	66	M
B	ZK6800	68	89	M
B	UN680113	68	113	M

A:Regular lube fitting in cross B:Regular lube fitting in end of bearing cup
M:Regular lube fitting in center of cross N:No lube





UNIVERSAL JOINT

with 4 wing type round bearings

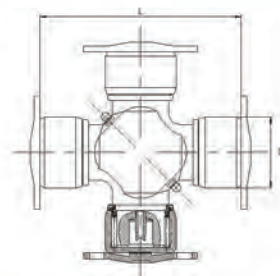


FIG	PART NO	D	L	WX	PRECISION	GKN	ALLOY	ROCKWELL
C	5-115X	39.68	116	4225AF	332	HS308	1757	CP115X
C	5-279X	47.62	134.8	5200AGF	333	HS336	1807	CP16NS
C	5-279X-1	47.62	134.8	5200AGF	333	HS336	1807	CP16NS
C	5-280X	49.2	154.9	5278AGF	334	HS337	1802	CP17NS
C	5-280X-1	49.2	154.9	5278AGF	334	HS337	1802	CP17NS
C	5-407X	49.2	178	6269AGF	376	HS338	1808	CP176NS
C	5-407X-1	49.2	178	6269AGF	376	HS338	1808	CP176NS
C	5-281X	49.2	191.9	7225AGF	381	HS334	1810	CP18NS
C	5-281X-1	49.2	191.9	7225AGF	381	HS334	1810	CP18NS



UNIVERSAL JOINT

with 2 welded plate type
and 2 plain round bearings

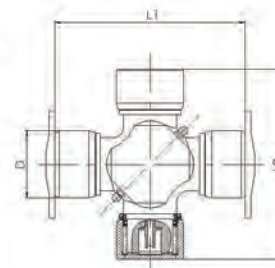


FIG	PART NO	D	L1	L2	SPICER	PRECISION	NEAPCO	ROCKWELL
D	5-438X	47.62	135	135	5-438X	475	4-2791	CP16SI
D	5-515X	49.2	154.7	157.1	5-515X	476	5-2801	CP17SI
D	5-469X	49.2	177.98	179.98	5-469X	477	6-4071	CP176SI
D	5-510X	49.2	191.69	194	5-510X	478	6-2811	CP18SI
D	5-674X	47.62	135	135	5-674X	475	4-2791	CP16SI
D	5-675X	49.2	154.7	157.1	5-675X	476	5-2801	CP17SI
D	5-676X	49.2	191.69	194	5-676X	478	6-2811	CP18SI
D	5-677X	49.2	177.98	179.98	5-677X	477	6-4071	CP176SI

A:Regular lube fitting in cross B:Regular lube fitting in end of bearing cup
M:Regular lube fitting in center of cross N:No lube



UNIVERSAL JOINT with 4 wing type bearings

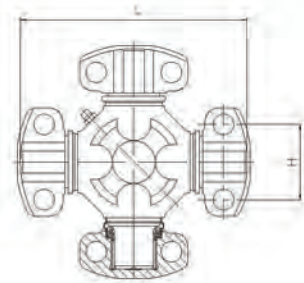


FIG	SPICER	H	L	Ser	BEARING TYPE	PRECISON	ALLOY	CATERPILLAR
E	5-2002X	33.34	79	2C	4LWT	951		1250
E	5-2117X	33.34	79	2C	4LWD	994		316117
E	5-2116X	33.34	79	2C	2LWT,2LWD	952	1063	6S6902,D2X2230
E	5-3000X	36.5	90.4	3C	4LWT	536	1711	5D9153
E	3C	36.5	90.35	3C	4HWD	967		
E	5-4143X	36.5	108	4C	4HWD	969	1689	6K0316
E	5-4002X	36.5	108	4C	4LWT	540	1730	6F7160
E	5-4123X	36.5	108	4C	2LWT,2LWD	541	1704	6H1262
E	5-4140X	36.5	108	4C	2LWT,2HWD	929	J4130	5M0800
E	5-5177X	42.88	115.06	5C	4HWD	968	1728	2K3631,8Y0809
E	5-5121X	42.8	115	5C	2LWT,2LWD	552	1721	7J5245
E	5-5173X	42.8	115	5C	2LWT,2HWD	933	1722	
E	5-5000X	42.8	115	5C	4LWT	550	1720	7J5251
E	5-6106X	42.8	140.2	6C	4HWD	905	1826	1S9670
E	5-6000X	42.8	140.2	6C	4LWT	560	1820	
E	5-6108X	42.8/49.2	140.2/148.4	6C+7C	2LWT,2LWD	568	1828	
E	5-6109X	42.8/49.2	140.45/148.4	6C+7C	2LWT,2HWD	568	1829	
E	5-7105X	49.2	148.4	7C	4HWD	927	1840	2H0858,6H2577
E	5-7000X	49.2	148.4	7C	4LWT	570	1841	8F7719,641152
E	5-7202X	49.2	148.4	7C	2LWT,2LWD	574	1843	7J5242
E	5-8105X	49.2	206.4	8C	4HWD	928	1850	6H2579,5H2308
E	5-8200X	49.2	206.4	8C	4LWT	581	1851	Xx7146
E	5-8203X	49.2	206.4	8C	4LWD	584	1854	
E	5-8201X	49.2	206.4	8C	2LWT,2LWD	582	1852	
E	5-8202X	49.2	206.4	8C	2LWT,2HWD	583	1853	
E	5-8516X	71.8	165	8.5C	4HWD	963		2V7153,2T0096
E	5-8500X	71.8	165	8.5C	4LWT	785		7K0442
E	5-9016X	71.4	209.62	9C	4HWD	911	1868	9V7710,8D3144
E	5-9000X	71.4	209.62	9C	4DWT	793	1864	9H9491
E	5-9002X	71.4	209.62	9C	2LWT,2HWD	792	1865	
E	kcycb-7c	49.2	148.4		4HWD			
E	CPCD	50	135		4HWD			
E	GUIS67	57	174		4LWT			
E	GUIS1068	60.1	195		4LWT			
E	10C	92.1	212.9		4HWD			
E	15C	100	259.94		4HWD			

A:Regular lube fitting in cross

B:Regular lube fitting in end of bearing cup

M:Regular lube fitting in center of cross

N:No lube



UNIVERSAL JOINT

with 2 wing type and 2 grooved round bearings

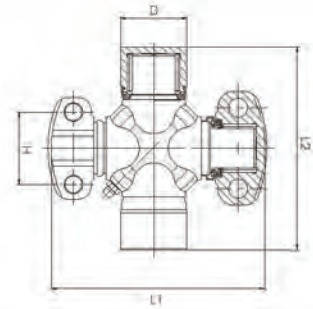


FIG	PART NO	H	D	L1	L2
F	5-345X	36.5	30.183	107.9	106.29
F	5-348X	42.8	34.9	115	106.2
F	5-221X	42.8	34.92	114.2	126
F	5-303X	42.8	34.93	140.3	126.1
F	5Y0767	42.88	34.93	106.3	115
F	IJF-004	42.88	35	107	104
F	5-329X	49.2	34.93	134.8	126.22
F	5-330X	49.2	41.2	148.2	142



UNIVERSAL JOINT

With 2 wing type and 2 grooved round bearings

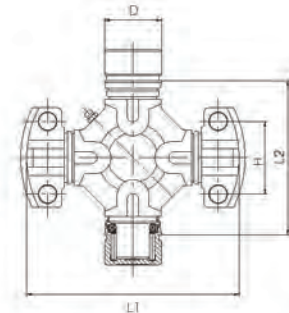


FIG	PART NO	H	D	L1	L2
G	5-2033X	33.34	25.4	79	54.5
G	5-2031X	33.34	25.4	79.22	55.2
G	5-4016X	36.5	28.5	108	77.6
G	IJF-003	36.5	28.6	108	80
G	5-3012X	36.5	28.6	90.4	60.2
G	IJF-002	42.88	28.6	115	80
G	AEC5108	42.88	32.02	115	81.8
G	5I3000	42.88	32.02	115	83.9
G	5015X	42.88	33.35	115	79.2
G	W-7300	49.2	41.275	148.4	104.5

A:Regular lube fitting in cross

B:Regular lube fitting in end of bearing cup

M:Regular lube fitting in center of cross

N:No lube



UNIVERSAL JOINT For Scania

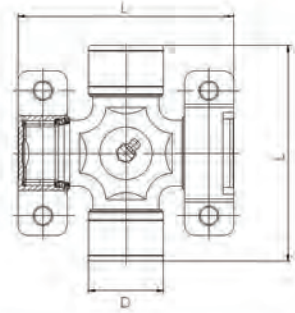


FIG	PART NO	D	L	GKN	SCANIA
H	U945	38	148	HS239T	337058
H	U950	48	161	HS268T	337059
H	U954	57	164	HS292T	337060

A:Regular lube fitting in cross B:Regular lube fitting in end of bearing cup
M:Regular lube fitting in center of cross N:No lube



UNIVERSAL JOINT with 4 thrust plate bearings

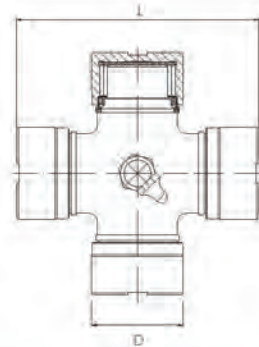
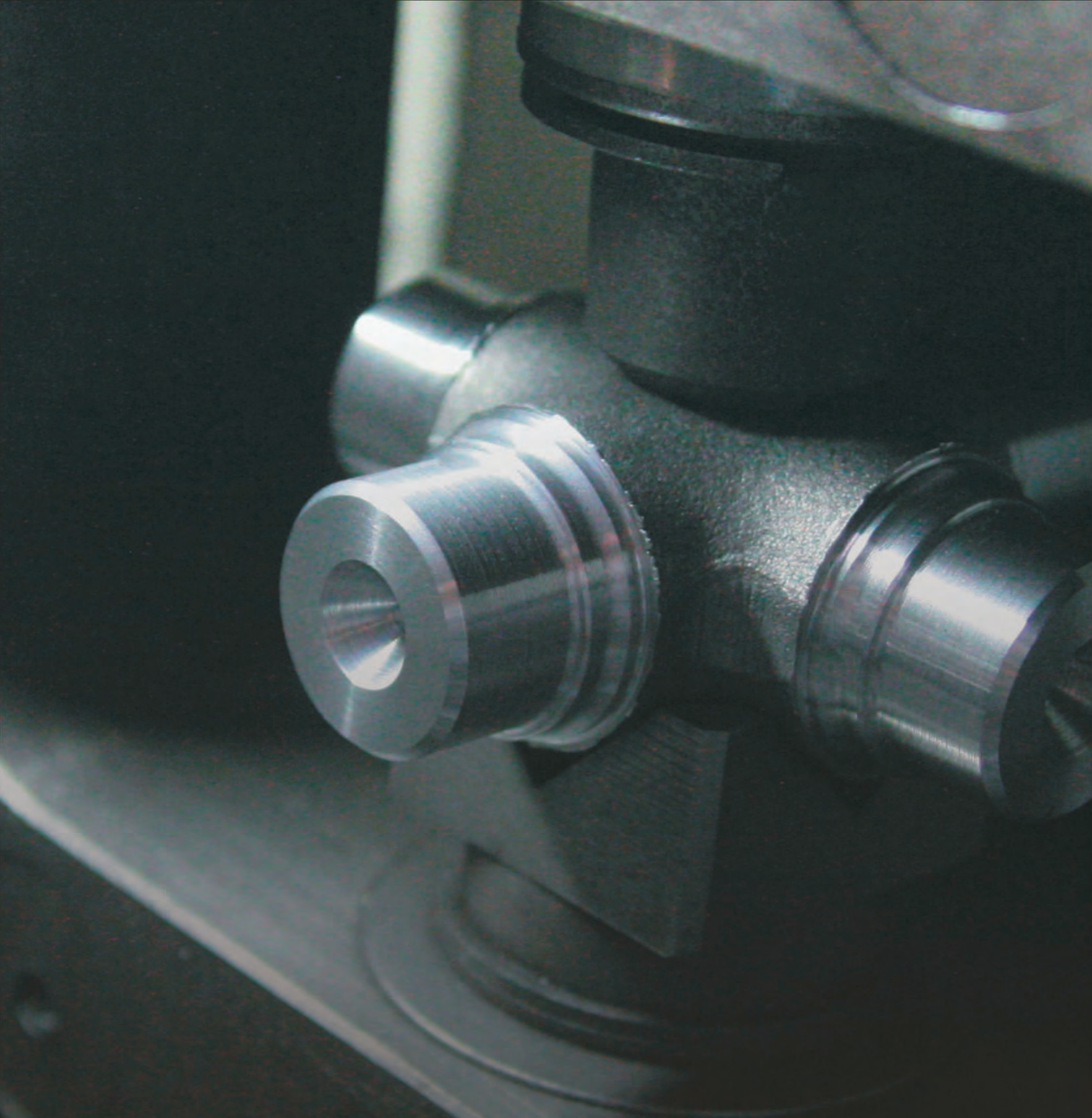


FIG	PART NO	D	L	Lube
I	CA141	39	118	A
I	GU4000-1	47.6	135	A
I	ZY50135	50	135	M
I	ZY50185	50	155	M
I	050.756.00	58.98	167.52	M
I	GUN-31	32	107	M
I	GUIS-55	42	125	M
I	GUN-41	43	136	M
I	GUM-71	44	129	M
I	GUM-80	46	142	M
I	GUM-90	46	148	M
I	GUH-72	47	144	M
I	GUIS-57	48	145	M
I	GUIH-73	50	165	M
I	GUM-83	52	153.8	M
I	GUN43	55	164	M

A:Regular lube fitting in cross B:Regular lube fitting in end of bearing cup
M:Regular lube fitting in center of cross N:No lube





杭州永超机械有限公司

Hangzhou Yongchao Machinery Co., Ltd.

Add: Zhen Ning Road 22, Xiaoshan District, Hangzhou, Zhejiang P.R. China

Tel: +86-571-82871666

Fax: +86-571-82876870

E-mail: info@hzyongchao.com

Http: www.hzyongchao.com



YONGCHAO

Yongchao UJ Shaft Korea

Add: 9, Beodeul-Ro 1369beon-Gil, Paltan-Myeon, Hwaseong-Si,

Gyeonggi-Do 445-918, Republic of Korea

Tel: +82-31-3545318

Fax: +82-31-3545328