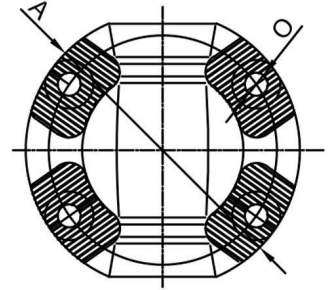
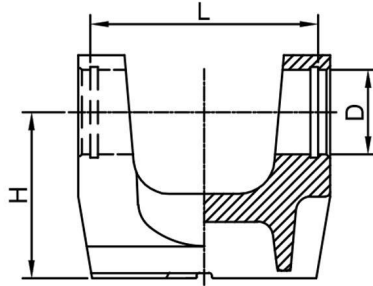


YONGCHAO Shaft Parts 2015

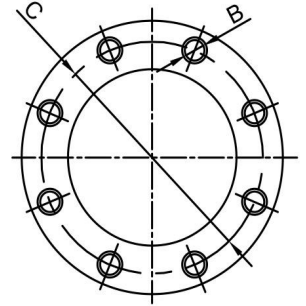
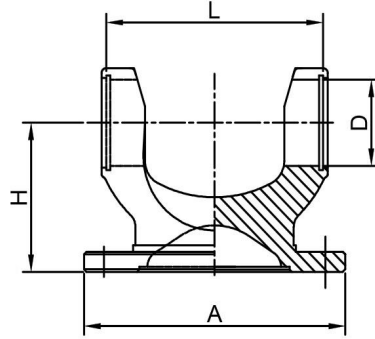
www.hzyongchao.com





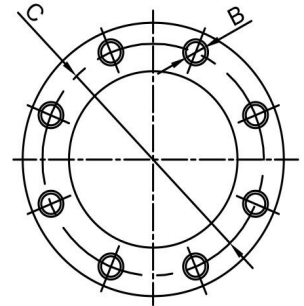
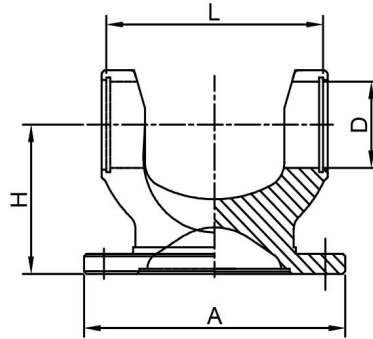
customization is acceptable

No.	SERIE	D(mm)	L(mm)	A(mm)	O (HOLE/mm)	H(mm)
1	587.10	35	96.8	120	4-Φ12	54.5
2	587.10	35	96.8	120	4-Φ11	54.5
3	RU50135	50	135	180	4-Φ15	100
4	RU50155	50	135	180	4-Φ15	90
5	587.30	52	133	150	4-Φ13	90
6	587.30	52	133	155	4-Φ13	80
7	587.30	52	133	155	4-Φ13	90
8	587.30	52	133	165	4-Φ13	90
9	587.30	52	133	180	4-Φ15	90
10	587.30	52	133	180	4-Φ15	100
11	587.30	52	133	180	4-Φ15	101.5
12	587.30	52	133	165	4-Φ13	101.5
13	587.35	57	144	155	4-Φ13	100
14	587.35	57	144	165	4-Φ13	100
15	587.35	57	144	180	4-Φ15	100
16	687.55	57	152	180	4-Φ15	100
17	YC64152	63.5	152	180	4-Φ15	100



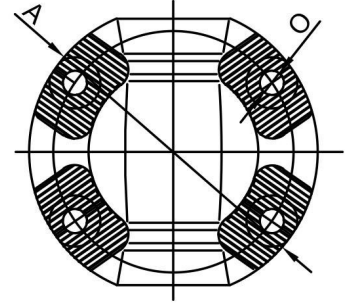
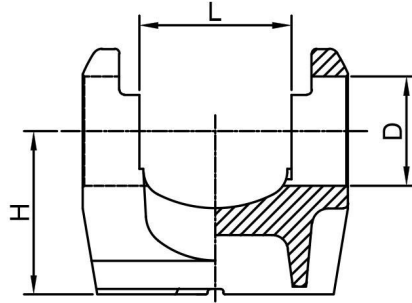
customization is acceptable

No.	SERIE	D(mm)	L(mm)	A(mm)	O (HOLE/mm)	H(mm)
1	587.30	52	133	150	8-Φ12	80
2	587.30	52	133	180	8-Φ12	80
3	587.30	52	133	180	8-Φ14	80
4	587.30	52	133	180	8-Φ16	80
5	587.30	52	133	180	10-Φ16	80
6	587.30	52	133	150	8-Φ12	90
7	587.30	52	133	150	8-Φ14	90
8	587.30	52	133	150	8-Φ16	90
9	587.30	52	133	165	8-Φ14	90
10	587.30	52	133	165	8-Φ16	90
11	587.30	52	133	180	8-Φ12	90
12	587.30	52	133	180	8-Φ14	90
13	587.30	52	133	180	8-Φ16	90
14	587.30	52	133	180	10-Φ14	90
15	587.30	52	133	180	10-Φ16	90
16	587.35	57	144	180	8-Φ14	100
17	587.35	57	144	180	8-Φ16	100
18	587.35	57	144	180	10-Φ16	100



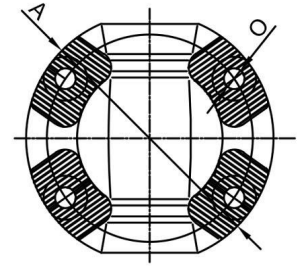
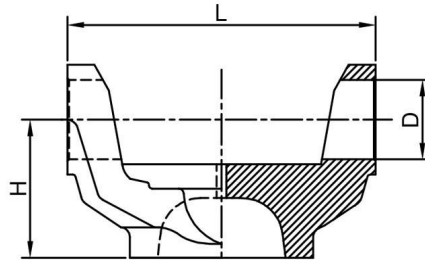
customization is acceptable

No.	SERIE	D(mm)	L(mm)	A(mm)	O (HOLE/mm)	H(mm)
19	587.35	57	144	225	8-Φ16	100
20	587.35	57	144	225	8-Φ16	100
21	587.35	57	144	225	10-Φ16	100
22	687.55	57	152	180	8-Φ14	100
23	687.55	57	152	180	8-Φ16	100
24	687.55	57	152	180	10-Φ16	100
25	687.55	57	152	225	8-Φ16	100
26	687.55	57	152	225	10-Φ16	100
27	687.55	57	152	250	8-Φ18	100



customization is acceptable

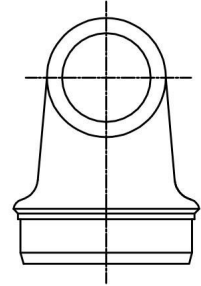
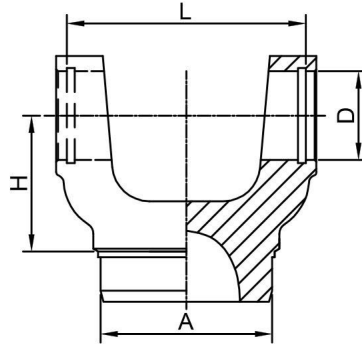
No.	SERIE	D(mm)	L(mm)	A(mm)	O (HOLE/mm)	H(mm)
1	385.60	68	89	180	4- Φ 15	100
2	385.68	68	117	200	4- Φ 15	113



customization is acceptable

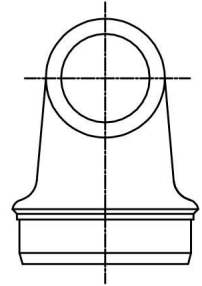
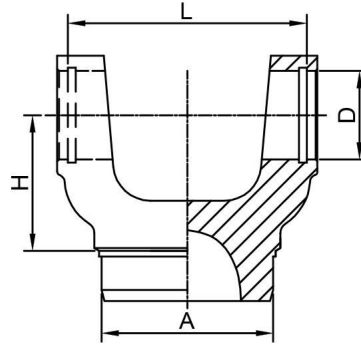
No.	SERIE	D(mm)	L(mm)	A(mm)	O (HOLE/mm)	H(mm)
1	1810	49.2	191.9	180	4-Φ15	90





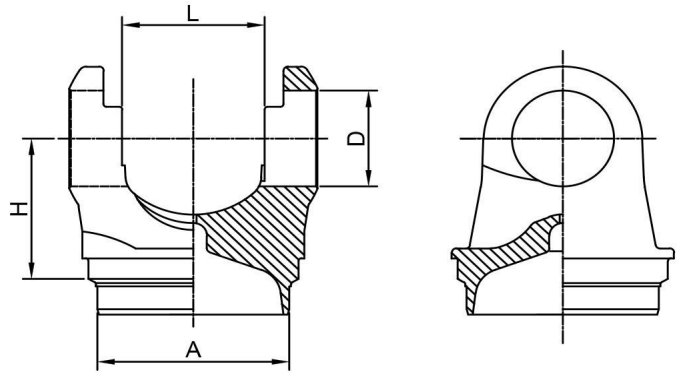
customization is acceptable

No.	SERIE	D(mm)	L(mm)	A(mm)	H(mm)
1	587.10	35	96.8	71	54
2	587.10	35	96.8	55	83
3	GU7620	48	126	81	83
4	GU7620	48	126	79	83
5	RU50135	50	135	82	90
6	RU50155	50	155	94	85
7	587.30	52	133	82	93
8	587.30	52	133	94	92
9	587.30	52	133	79	93
10	587.30	52	133	81	93
11	587.30	52	133	91.6	92
12	587.30	52	133	93	92
13	587.35	57	144	94	100
14	587.35	57	144	88	103
15	587.35	57	144	101	100
16	587.35	57	144	108	103
17	587.35	57	144	112	103
18	587.35	57	144	98	103



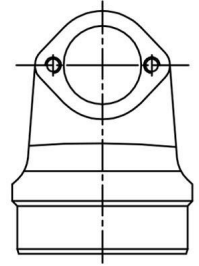
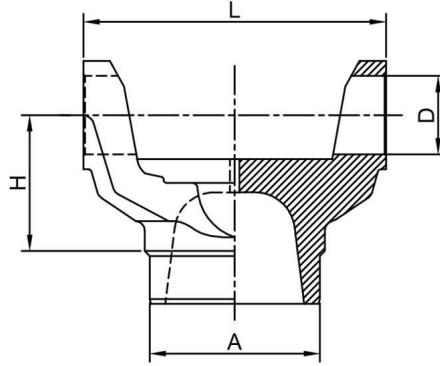
customization is acceptable

No.	SERIE	D(mm)	L(mm)	A(mm)	H(mm)
19	587.35	57	144	94	88
20	587.35	57	144	105	103
21	687.55	57	152	108	90
22	687.55	57	152	98	95
23	687.55	57	152	98	95
24	687.55	57	152	98	103
25	687.55	57	152	105	103
26	687.55	57	152	108	103
27	687.55	57	152	101	103
28	687.55	57	152	108	103
29	687.55	57	152	110	95
30	687.55	57	152	108	107
31	687.55	57	152	106	100
32	687.55	57	152	92	100
33	687.55	57	152	108	103
34	YC64152	63.5	152	108	116
35	YC64152	63.5	152	108	103
36	YC64152	63.5	152	110	95



customization is acceptable

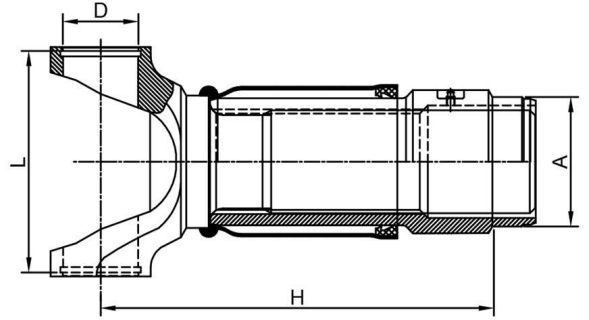
No.	SERIE	D(mm)	L(mm)	A(mm)	H(mm)
1	385.60	68	89	128	105
2	385.60	68	89	130	105
3	385.60	68	89	103	105
4	385.68	68	117	136	140



customization is acceptable

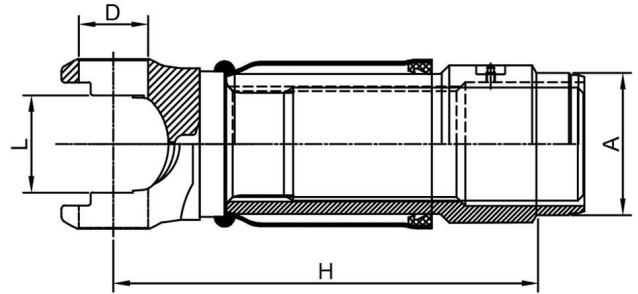
No.	SERIE	D(mm)	L(mm)	A(mm)	H(mm)
1	1810	49.2	191.9	101.5	86
1	1810	49.2	191.9	107.7	86





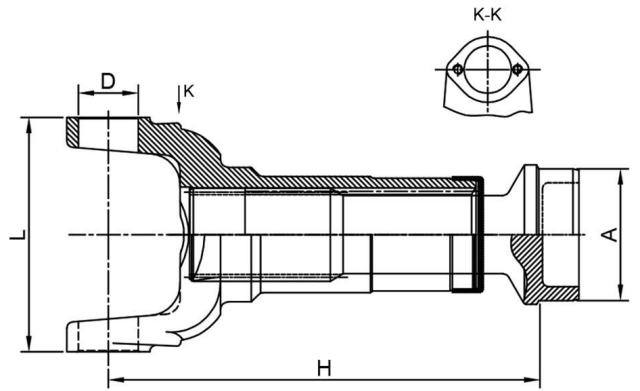
customization is acceptable

No.	SERIE	D(mm)	L(mm)	H(mm)	A(mm)
1	GU7620	48	126	327	82
2	587.30	52	133	315	79
3	587.30	52	133	330	79
4	587.30	52	133	359	79
5	587.30	52	133	328	91.6
6	587.35	57	144	297	88
7	587.35	57	144	344	88
8	587.35	57	144	348	94
9	687.55	57	152	288	98
10	687.55	57	152	295	98
11	687.55	57	152	306	98
12	687.55	57	152	357	98
13	687.55	57	152	287	108
14	687.55	57	152	306	108
15	687.55	57	152	357	108
16	YC64152	63.5	152	357	108



customization is acceptable

No.	SERIE	D(mm)	L(mm)	H(mm)	A(mm)
1	385.69	68	89	357	128
2	385.60	68	89	338	98
3	385.60	68	89	400	130
4	385.68	68	117	379	136



customization is acceptable

No.	SERIE	D(mm)	L(mm)	H(mm)	A(mm)
1	1810	49.2	191.9	260	101.5
2	1810	49.2	191.9	302	101.5
3	1810	49.2	191.9	260	107.7
4	1810	49.2	191.9	302	107.7

Hangzhou Yongchao Machinery Co.,Ltd.

Add: Zhen Ning Road22,Xiaoshan District, Hangzhou, Zhejiang P.R.China.

Postcode: 311215

Tel: +86-571-82871666

info@hzyongchao.com

Http:www.hzyongchao.com

Fax: +86-571-82876870

sales@hzyongchao.com

Hangzhou Yongchao UJ Shaft Korea

Add: 9,Beodeul_Ro 1369beon-Gil, Paltan-Myeon, Hwaseong-Si, Gyeonggi-Do 445-918, Republic of Korea.

Tel:+82-31-3545318

Fax:+82-31-3545318