

# RHINOCEROS

## KS2700T

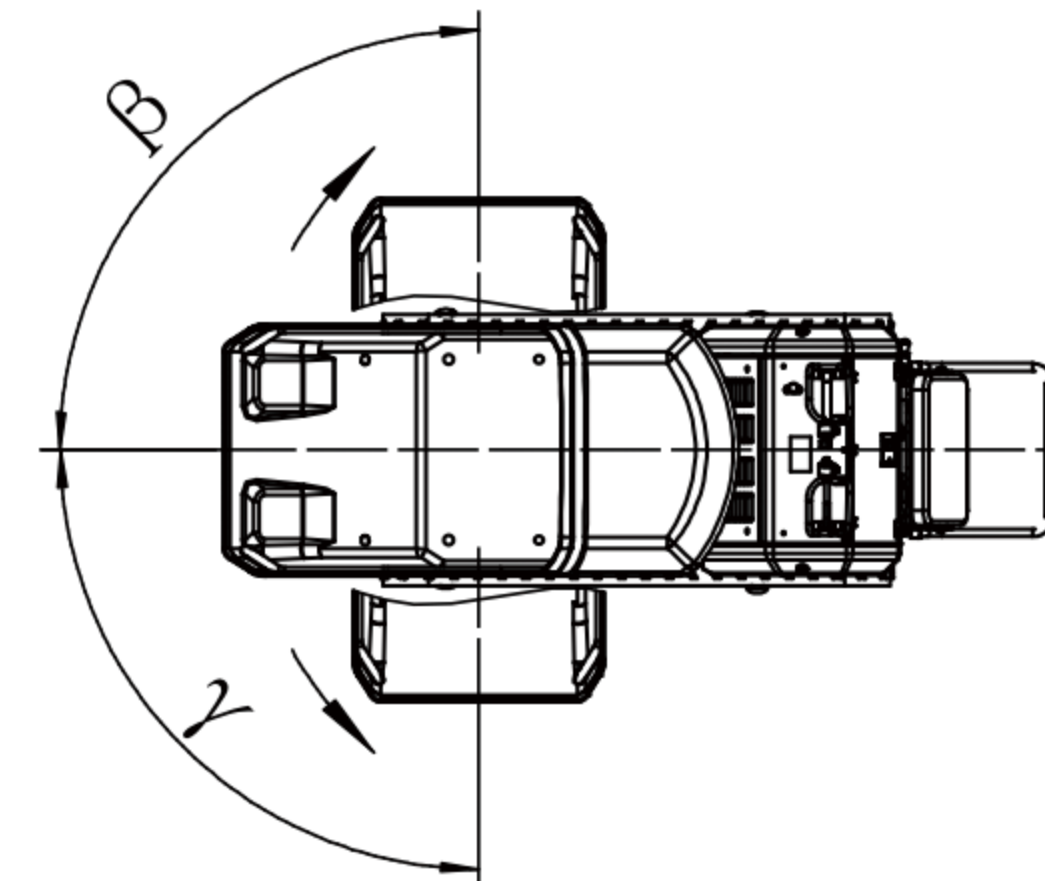
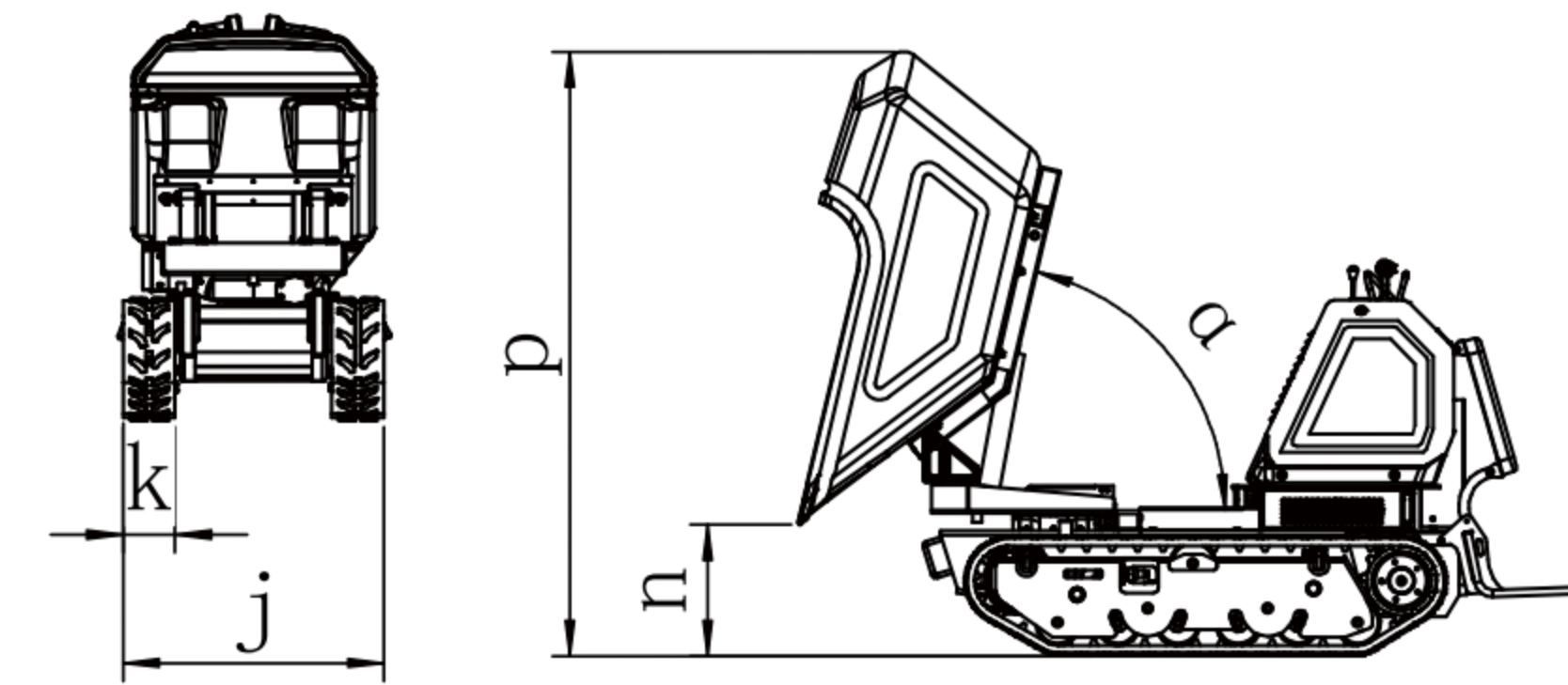
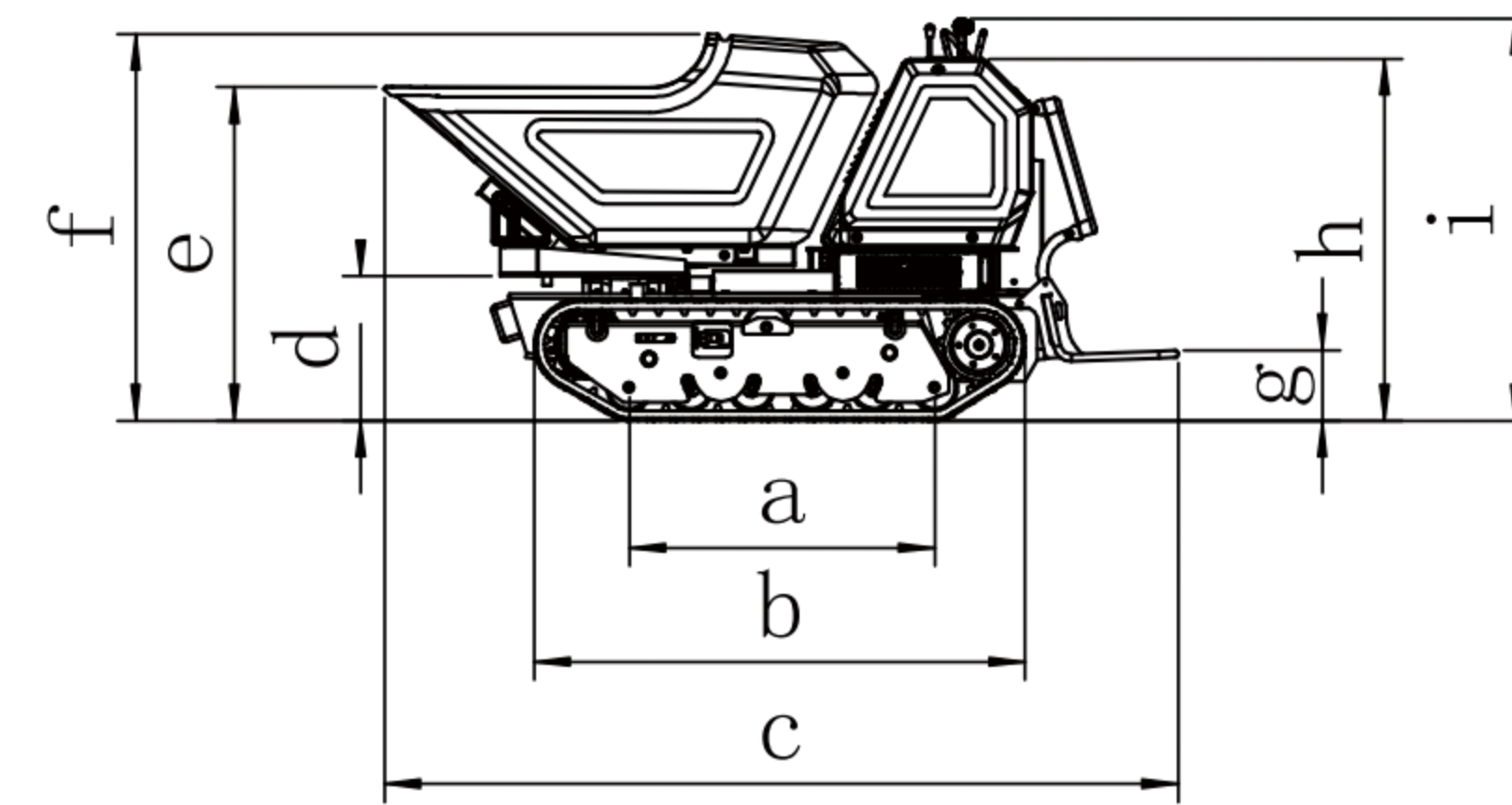
### BUGGY

DIMENSIONS (STD)	U.S.(in)	METRIC(mm)
a Wheelbase	41.7	1060
b Total length of track	66.5	1690
c Length	107.8	2740
d Track height	16.5	420
e Front end of tipping bucket height from ground	45.4	1155
f Back end of tipping bucket height from ground	52.9	1345
g Platform ground clearance	9.4	240
h Control platform height from ground	49.4	1255
i Operation handle height from ground	53.3	1355
j Width	35.4	900
k Track width	7.08	180
m Tipping bucket width	32.8	835
n Unloading front-end height from ground	18.1	460
p Unloading back-end height from ground	83.4	2120
$\alpha$ Tipping bucket unloading angle	81°	
$\beta$ Tipping bucket right rotation angle	90°	
$\gamma$ Tipping bucket left rotation angle	90°	

MAIN SPEC	U.S.(in)	METRIC
Max Load Capacity	2700 lbs	1225 kg
Weight	2778 lbs	1260 kg
Tub Material	Polyethylene	
Tub Volume	17.7 ft <sup>3</sup>	0.5 cbm
Tracks/Tires	Rugged armid corde	

POWER		
Model No.	Kubota D1703	
Fuel	Diesel	
Rated power	24.7 hp	18.2 kw
Emissions compliance	EPA Tier 4	EU Stage V
Number of cylinders	3	
Displacement	100.5 in <sup>3</sup>	1.647 L
Cylinder bore and stroke	3.43 * 3.64 in	87*92.4 mm
Rated speed	2,200 rpm	

HYDRAULIC SYSTEM		
Auxiliary circuit		
Gear pump		
Flow rate (pump #1)	4.6 gpm	17.6 L/min
Pressure	3,625 psi	250 bar
Dual hydrostatic ground drive pumps		
Flow rate	15.0 gpm	57.2 L/min
Pressure	3,625 psi	250 bar



OPERATION	U.S	METRIC
Ground drive speed		
Forward/reverse	4 mph	6.5 km/h
Ground pressure	ISO/CD 16754	

FLUID CAPACITIES	U.S	METRIC
Fuel tank capacity	6.3 gal	24 L
Discharge Height	18 in	460mm
Lubricating oil capacity	1.8 gal	7 L
Hydraulic reservoir capacity	3.6 gal	13.6 L

BATTERY		
SAE reserve capacity rating	110 min	
SAE cold crank @ 0°F (-18°C)	800 amps	
Electrical system	12 V	

[www.rhinoexcavator.com](http://www.rhinoexcavator.com)



SHANDONG KEN STONE HEAVY MACHINERY CO.,LTD



Factory visit

Address : Dingyuanzhai Industrial Park,Guan County,Liaocheng city, Shandong Province, China  
 Postal code : 252512  
 Website : [www.rhinoexcavator.com](http://www.rhinoexcavator.com)  
 E-mail : [office@sdxiniu.com](mailto:office@sdxiniu.com)

# KS2700T

## BUGGY