





# Linear Potentiometers

## Long Stroke





Model  
RTL

- Measuring range 30 - 1000 mm
- Infinite resolution
- Excellent repeatability <0,01 mm
- Long mechanical life 100 million movements
- Easy installation with fixing brackets
- IP 67 protection level



Model  
RPH

- Measuring range 100 - 1950 mm
- With sliding head reducing overall dimension
- Excellent repeatability <0,01 mm
- Long mechanical life 100 million movements
- Rodless design
- IP 40 (if mounted upside down IP 53)



Model  
LPC

- Measuring range 50 - 800 mm
- Orbital movement with ball joints on the both sides
- Excellent repeatability <0,01 mm
- Long mechanical life 100 million movements
- Strong mechanical structure (10 mm rod diameter)
- IP 65 protection level



Model  
RTM

- Measuring range 50 - 600 mm
- Infinite resolution
- Excellent repeatability <0,01 mm
- Long mechanical life 100 million movements
- Orbital movement in square body without fixing brackets
- IP 65 protection level



Model  
LPS

- Measuring range 30 - 150 mm
- Infinite resolution
- Excellent repeatability <0,01 mm
- Long mechanical life 50 million movements
- IP 54 protection level



Model  
LSC

- Measuring range 25 - 400 mm
- Cable output
- Excellent repeatability <0,01 mm
- Long mechanical life 50 million movements
- IP 67 protection level

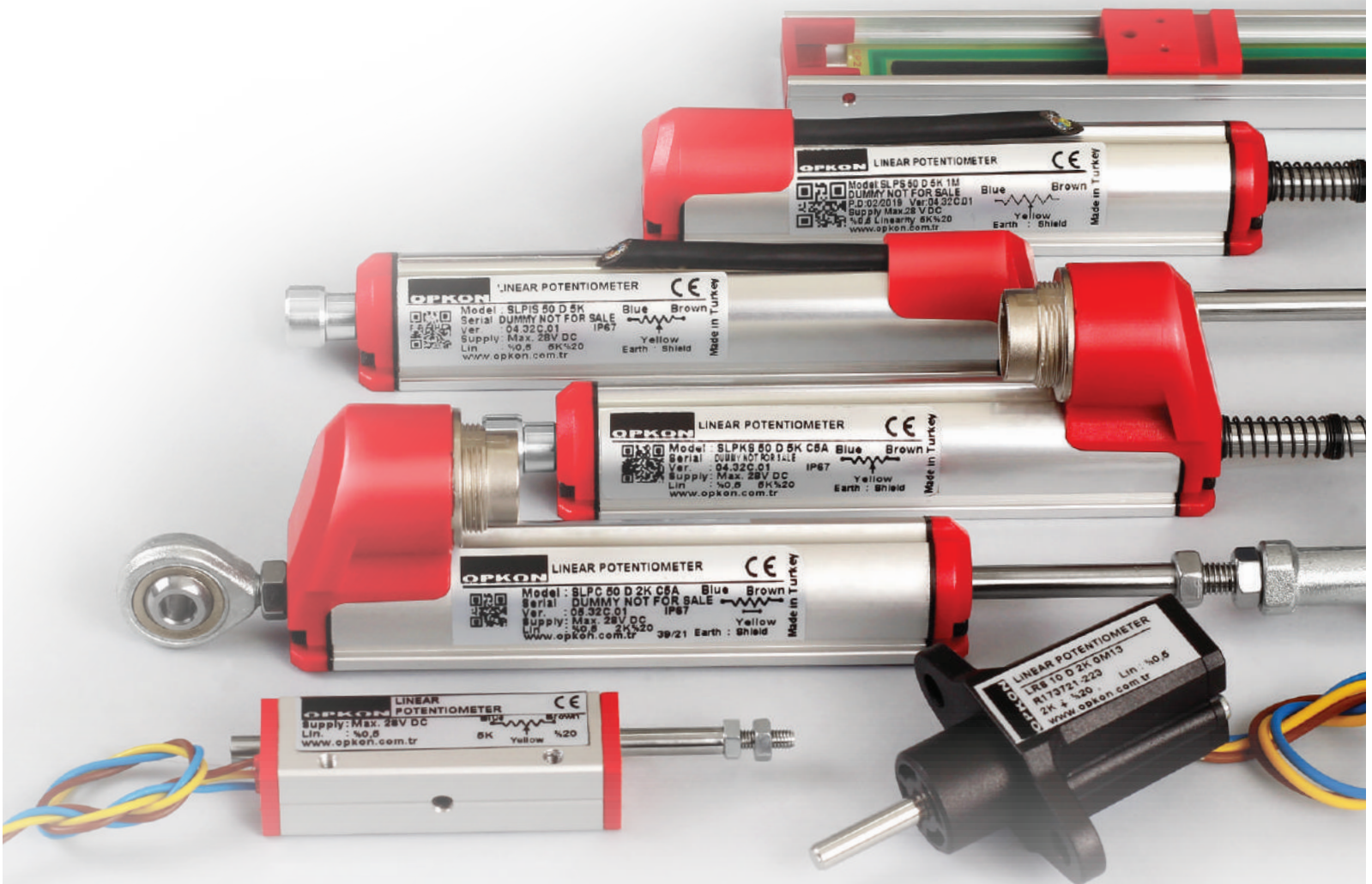


Model  
OPH

- Measuring range 50 - 1000 mm
- Cost effective compact design
- Excellent repeatability <0,01 mm
- Long mechanical life 50 million movements
- Open profile
- Easy and flexible installation

# Linear Potentiometers

Slim Body Compact Design Short Stroke





Model  
SLPT

- Measuring range 10 - 400mm
- $\pm 0,05$  linearity
- Long mechanical life 50 million movements
- Compact design



Model  
SLPC

- Measuring range 10 - 400mm
- Compact design
- Long mechanical life 50 million movements
- Orbital movement with ball joints on the both sides
- High accuracy and excellent repeatability



Model  
SLPS

- Measuring range 10 - 100 mm
- External spring loaded
- Useful for flatness and thickness measurements



Model  
SLPK

- Measuring rang 10 - 200mm
- Double-side rod
- Long mechanical life 50 million movements



Model  
SLPKS

- Measuring range 10 - 100mm
- Double-side rod with external return spring
- Long mechanical life 50 million movements
- Ideal for thickness measurements



Model  
SLPIS

- Measuring range 10 - 100mm
- Internal return spring
- Long mechanical life 50 million movements
- Probe or roll bearing type
- High repeatability and accuracy



Model  
LMT / LMTIS

- Measuring range 10 - 25mm
- Infinite resolution
- Ultra compact design with robust aluminium housing
- Long mechanical life 50 million movements
- Easy mounting by thread holes



Model  
SOPH

- Measuring range 25 - 150mm
- Infinite resolution
- Special teflon guiding system
- Long mechanical life 50 million movements

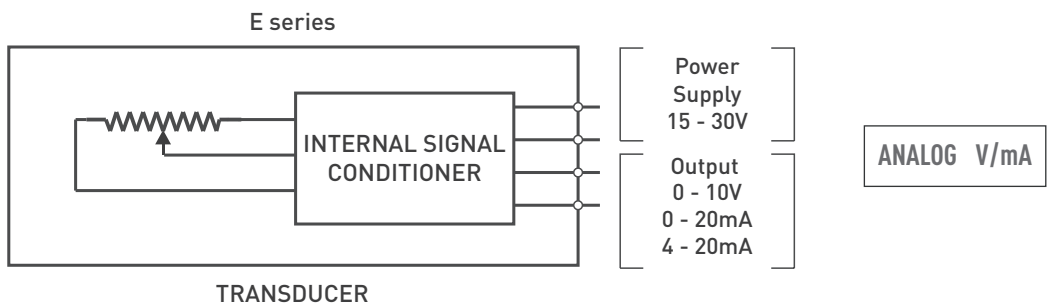


Model  
LRS

- Measuring range 10 - 25mm
- Infinite resolution
- Excellent repeatability  $< 0,02$ mm
- Long mechanical life 50 million movements

# Linear Potentiometers

## Long Stroke With Internal Signal Conditioner







Model  
ERTL

- Measuring range 30 - 1000mm
- Internal signal conditioner
- Output 0-10 V, 0-20 mA, 4-20 mA
- Infinite resolution
- Easy installation with fixing brackets
- IP 67 protection level



Model  
ERPH

- Measuring range 100 - 1950mm
- Internal signal conditioner
- Output 0-10 V, 0-20 mA, 4-20 mA
- Rodless design
- IP 40 (if mounted upside down IP 53)



Model  
ELPC

- Measuring range 50 - 800 mm
- Internal signal conditioner
- Output 0-10 V, 0-20 mA, 4-20 mA
- Orbital movement via ball joints on the both sides
- Strong mechanical structure (10 mm rod diameter)
- IP 67 protection level



Model  
ERTM

- Measuring range 50 - 600mm
- Internal signal conditioner
- Output 0-10 V, 0-20 mA, 4-20 mA
- Orbital movement in square body fixing without brackets
- Infinite resolution
- IP 65 protection level



Model  
ELSC

- Measuring range 25 - 400mm
- Internal signal conditioner
- Output 4-20 mA / 10-0 V / 0-5V, 5-0V
- Excellent repeatability
- IP 67 protection level



Model  
OP-SC1A

- Rail type (OP-SC1A)
- Signal conditioner for resistive potentiometers
- Standard output signals (0-10 V, 0-20 mA, 4-20 mA)



Model  
OP-SC1B

- Rail type (OP-SC1A)
- Signal conditioner for resistive potentiometers
- Standard output signals (0-10 V, 0-20 mA, 4-20 mA)

**NOTE :**

-----

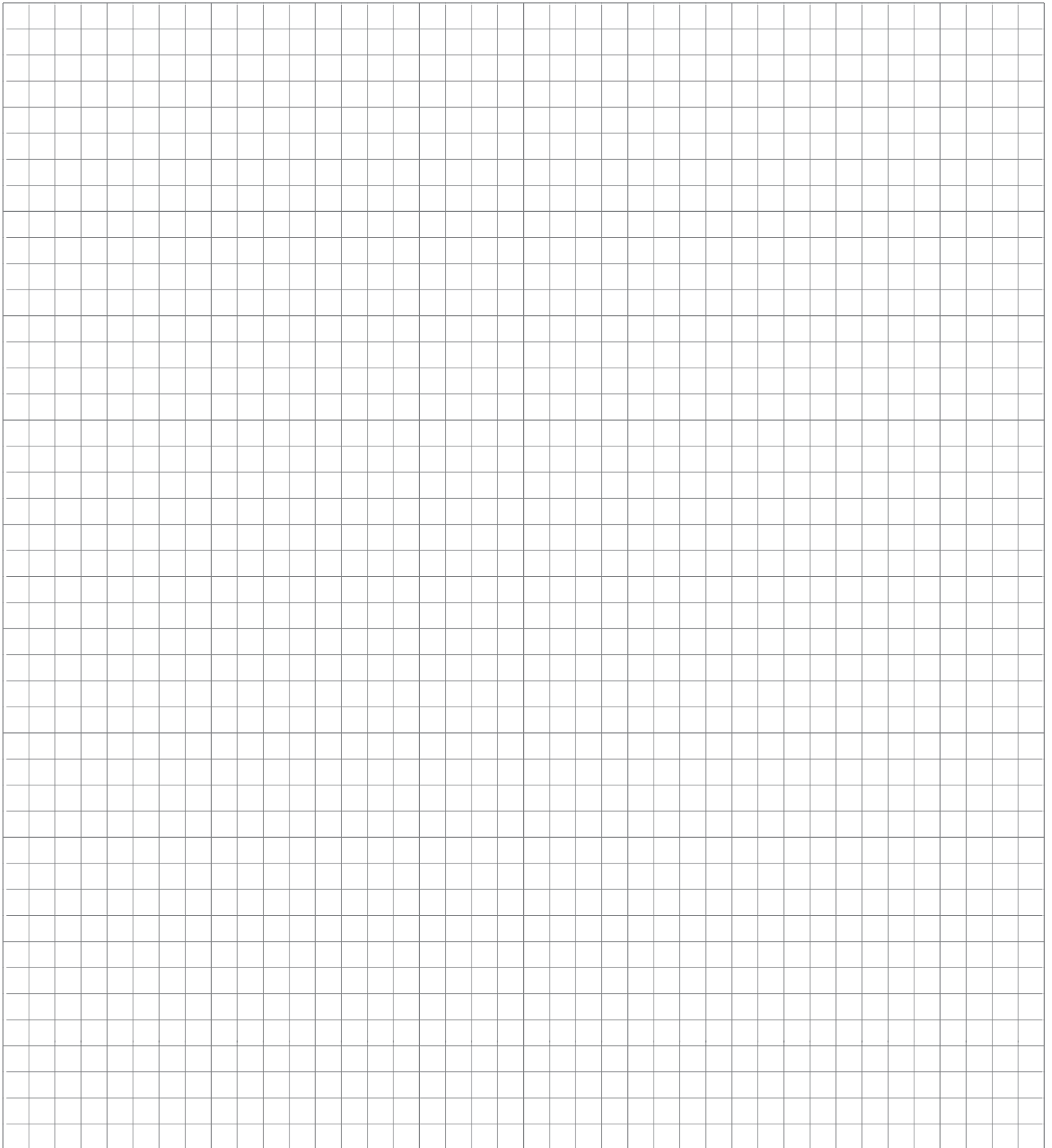
-----

-----

-----

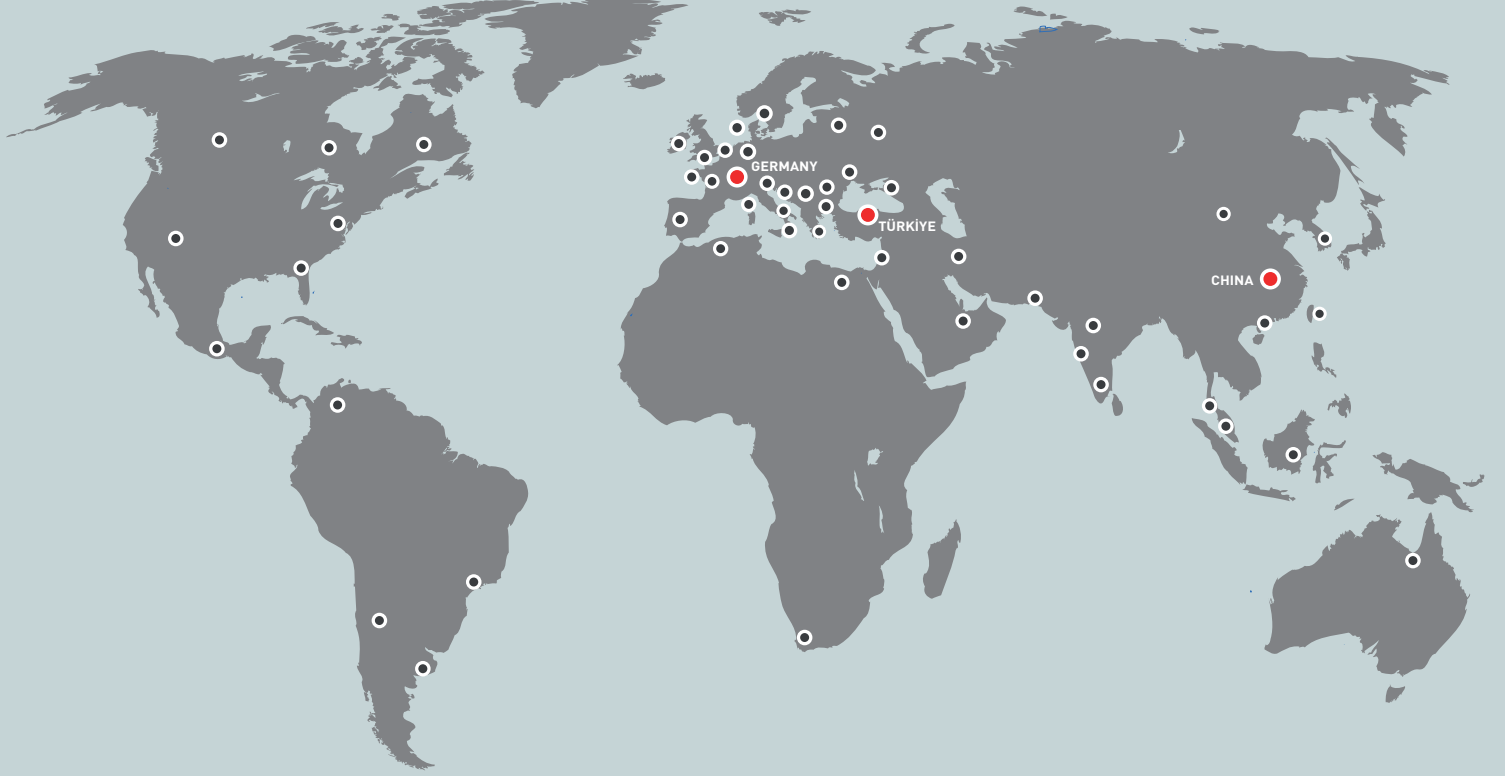
-----

-----





## WORLDWIDE SALES NETWORK



### Headquarter R&D, Production

OPKON Optik Elektronik  
Kontrol Sanayi ve Ticaret A.Ş.  
Terazidere Mah. 29 Ekim Cad. No:34  
Bayrampaşa / İstanbul / TÜRKİYE

Phone : +90 (212) 501 48 63  
Fax : +90 (212) 501 48 83  
Web : [www.opkon.com.tr](http://www.opkon.com.tr)  
E-mail : [export@opkon.com.tr](mailto:export@opkon.com.tr)

### Germany Subsidiary

SENSORMARKET GmbH  
Graeffstrasse. 5,  
50823 Köln / GERMANY

Phone : +49 22159495400  
Fax : +49 22159495402  
Web : [www.sensormarket.eu](http://www.sensormarket.eu)  
E-mail : [sales@sensormarket.eu](mailto:sales@sensormarket.eu)

### China Subsidiary

DANZI Sense Technology  
(Shanghai) Co., LTD.  
Room 123 - B, F/1, No. 1000 Ziyue Road,  
Minhang District, 200240 Shanghai / CHINA

Hotline : 400 8050 889  
Phone : 021 - 64091719  
Fax : 021 - 64091713  
Web : [www.danzisensors.com.cn](http://www.danzisensors.com.cn)  
E-mail : [marketing@opkonchina.com](mailto:marketing@opkonchina.com)