

30JL

30JL系列操纵杆 30JL Series Joystick



30JLK-XI-10R1
标准型 / Standard



30JLK-XI-10R1R
带圆形把手和安装面板
With round shaped knob



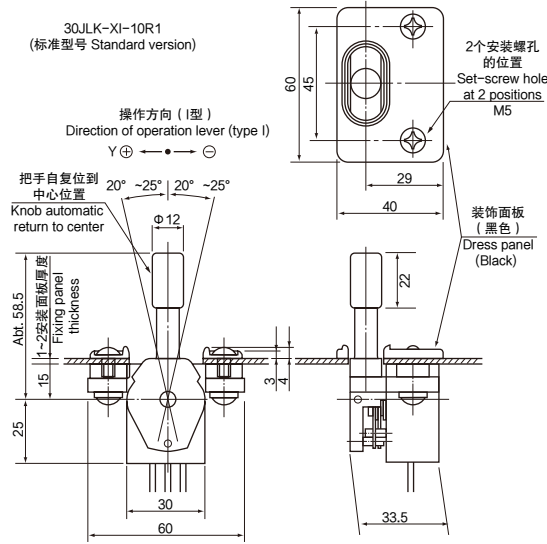
30JLK-XI-10R1H
带扁平把手和安装面板
With flat shaped knob



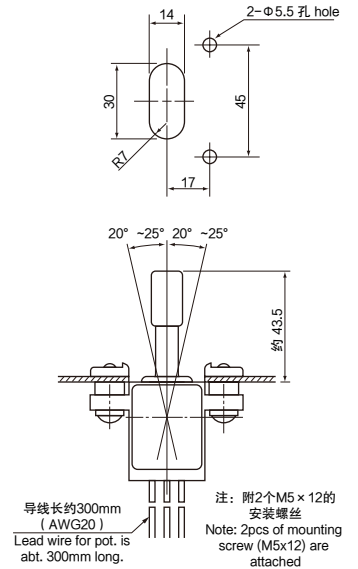
30JLK-XI-10R1GR
带防尘罩, 圆形把手和安装面板
With dust proof rubber cover
and round shaped knob

- ◆ 低价位
Low-cost
- ◆ 单轴调节型
1-dimensional coordinate
- ◆ 导电塑料型
With conductive plastic element

标准尺寸 / Standard Dimensions



安装面板 / Panel Arrangements



单位Unit: mm

选型指导 / Selection Guide

S 30 J L K - X I - 1 0 R1 G - 00000

<p>S 不适用于我们标准的特殊机械规格 / Special mechanical specifications not applicable to our standards</p>	<p>30 底部外壳的大概尺寸, 以mm为单位 / Approx. size of base housing in mm</p>	<p>J 操纵杆控制器 / Joystick controller</p>	<p>L 类型 / Kind of types 单轴调节型 / 1-dimensional coordinate and low-cost</p>	<p>K 方形 / Square shape</p>	<p>X 机械类型 / Mechanism 单轴调节型 / 1-dimensional coordinate</p>	<p>I 操纵杆的可选操作方向 / Available directions of lever operation Y轴上"前后"型操作 / I figure (Y) directional operating type</p>	<p>1 弹簧复位装置 / With spring return device 单轴调节带弹簧复位装置 / With spring return device for 1-dimensional coordinate type</p>	<p>0 内置开关数量 / Number of switches to be incorporated 0 不带开关 / no switch incorporated 1 1个开关 / 1 switch incorporated 2 2个开关 / 2 switches incorporated</p>	<p>R1 特殊编号: 用于特殊的客户需求 / Special 4/5-digit part number. For customized products</p>	<p>G 安装部件 / Mounting accessories G 带防尘罩 / With dust proof rubber cover R 带圆形把手 / With round shaped knob H 带扁平把手 / With flat shaped knob P 带安装面板 / With sub-panel for mounting</p>	<p>00000 安装电位器的个数 / Number of potentiometers to be incorporated 0 不安装电位器 / no potentiometer incorporated 1 安装1个电位器 / 1 potentiometer incorporated</p>
---	---	--	--	-----------------------------------	---	---	--	--	---	--	--



30JL

30JL系列操纵杆 30JL Series Joystick

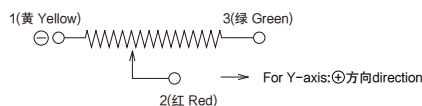
一般性能 / General Specifications

操纵杆的控制范围 Controlling range of operating lever	$\pm 20^{\circ} \sim \pm 25^{\circ}$ (自中心位置 From center position)
操作压力 Operating force	带弹簧复位装置: 自复位到中心位置 / With spring return device: automatically return to center 约 Approx. 1~2.5N (100~250gf) (带防尘罩 With rubber cover: 约 Approx. 1~5.5N (100~550gf))
操作温度范围 Operating temperature range	$-20^{\circ}\text{C} \sim +60^{\circ}\text{C}$
震动 Vibration	10~55Hz 98 m/s ²
冲击 Shock	294 m/s ²
预期寿命 Mechanical life expectancy	约 Approx. 2,000,000
质量 Mass	约 Approx. 100g

电气性能 / Electrical Specifications

安装的电位器 Potentiometers mounted	内置30JL系列专用的特殊导电塑料电阻 / Special conductive plastic resistive element is exclusively used for 30JL series
阻值 Resistance value	10K Ω \pm 20%
独立线性公差 Independent linearity tolerance	\pm 5%
电气转角 Electrical rotating angle	约 Approx. 40 $^{\circ}$
功率 Power rating	0.1W
输出平滑 Output smoothness	<输入电压 Against input voltage 0.2%
触点电阻变异 Contact resistance variation	<6% C.R.V.
分辨率 Resolution	无穷小 Essentially infinite
介质耐压 Dielectric strength	1 min (500V.A.C.)
绝缘电阻 Insulation resistance	>1000M Ω (500V.D.C.)

接线示意图 / Terminal Connection Diagram



注1 / Note 1: 接线端是长约300mm的导线。(AWG20) / Terminals shall be lead-wire terminals with approx.300mm long.(AWG20)

特殊可选规格 / Special Specifications Available

其他机械规格 Other Mechanical Specifications	防尘罩、安装面板、特殊的把手形状和制动机械 Dust proof rubber, sub-panel for mounting, special knobs shapes and detent mechanism
其他电气规格 Other Electrical Specifications	可提供微动开关、改变电位器阻值、电位器带中心抽头和把手内置开关 Micro switch, alteration of potentiometer's total resistance value, intermediate tap of potentiometer and switch incorporated inside knob

(当产品带特殊规格时, 其一般机械/电气性能和环境性能可能发生改变, 请预先同思博确认。 In case of the potentiometer with special specifications, the general mechanical, electrical specifications and environmental specifications may change. Please consult with SIBO in advance.)

(为了不断改进质量和设计, 所有内容均可能在没有事先通知的情况下进行改进。 All details given in this catalog may be changed without prior notice in order to continuously improve quality and designs of our products.)

思博公司版权所有, 盗用必究。 All rights are reserved by SIBO company. Embezzlement must be prosecuted.

