

# C90JA · C90JB

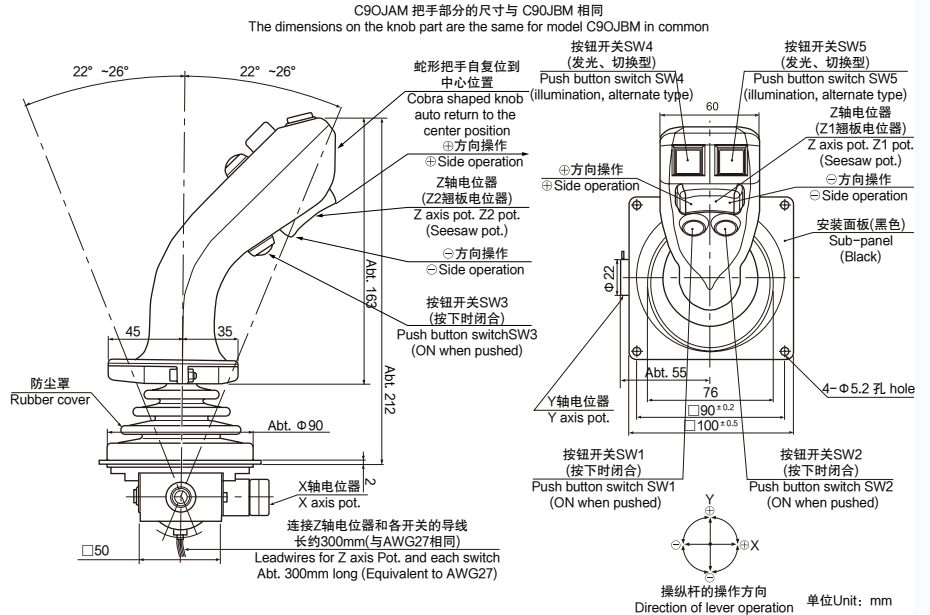
## C90JA · C90JB 系列操纵杆 C90JA · C90JB Series Joystick



C90JBM-4T-45R4GP 标准型 / Standard  
SC90JAM-4U-46R4GP 可选型 / Optional

◆ 此独特的操纵杆安装了眼镜蛇形把手，可内置翘板电位器和多个按钮开关，广泛提供复杂控制和多功能操作。  
This unique cobra head shaped knob can offer you various and complex controls in wide range. Some push button switches and seesaw type potentiometer, which enables such multi-functional operations, are available.

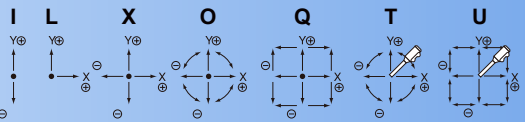
### 标准尺寸 / Standard Dimensions



### 选型指导 / Selection Guide

S C 90 J A M - 4 T - 4 5 R4 GP - 00000

<b>S</b> 不适用于我们标准的特殊机械规格 / Special mechanical specifications not applicable to our standards	<b>C</b> 带蛇形把手 / With cobra shaped knob	<b>90</b> 底部外壳的大概尺寸，以mm为单位 / Approx. size of base housing in mm	<b>J</b> 操纵杆控制器 / Joystick controller	<b>A</b> 电位器外置 / Potentiometers outside-mounted type <b>B</b> 电位器内置 / Potentiometers incorporated type	<b>M</b> 圆形 / Round shape	<b>机械类型 / Mechanism</b> 4 4及4轴以上调节型 / more than 4-dimensional coordinates	<b>操纵杆的可选操作方向 / Available directions of lever operation</b> O 360°全方位操作 (标准型) / Omni-directional 360°operating type (Standard version) I Y轴上“前后”型操作 / I figure (Y) directional operating type L X、Y轴上“L”型操作 / L figure(+Y, +X only) directional operating type X X、Y轴上“十字”型操作 / Cross direction(+) of X and Y operating type Q 360°方型操作 / Square-directional 360°operating angle T 除了360°全方位操作范围外，还可以通过装有翘板电位器的把手进行第三轴操作 / In addition to omni-directional 360° operation, this type is 3-dimensional coordinate operation by knob in which a see-saw potentiometer is incorporated U 除了360°方型操作范围外，还可以通过装有翘板电位器的把手进行第三轴操作 / In addition to square-directional 360° operation, this type is 3-dimensional coordinate operation by knob in which a see-saw potentiometer is incorporated S 特殊操作方法 / Special operating directions other than the above-mentioned types	<b>特殊编号</b> ：用于特殊的客户需求 / Special 4/5-digit part number: For customized products	<b>安装部件 / Mounting accessories</b> G 带防尘罩 / With dust proof rubber cover P 带安装面板 / With sub-panel for mounting	<b>带弹簧复位装置 / With spring return device</b> R4 双轴调节带弹簧复位装置和翘板电位器 / With spring return device for 2-dimensional coordinate as well as for see-saw pot. R1 单轴调节带弹簧复位装置 / With spring return device for 1-dimensional coordinate R2 双轴调节带弹簧复位装置 / With spring return device for 2-dimensional coordinate R3 三轴调节带弹簧复位装置 / With spring return device for 3-dimensional coordinate	<b>内置开关数量 / Number of switches to be incorporated</b> 4 4个开关 / 4 switches incorporated 5 5个开关 / 5 switches incorporated 6 6及6个以上开关 / 6 and over 6 switches incorporated	<b>安装电位器的个数 / Number of potentiometers to be incorporated</b> 4 安装4个电位器 / 4 potentiometers incorporated 1 安装1个电位器 / 1 potentiometer incorporated 2 安装2个电位器 / 2 potentiometers incorporated 3 安装3个电位器 / 3 potentiometers incorporated
--	---	---	---------------------------------------	---	---------------------------	--	--	---	--	--	--	--



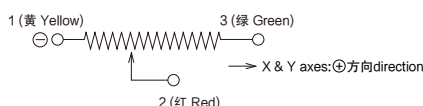
# C90JA·C90JB

## C90JA·C90JB系列操纵杆 C90JA·C90JB Series Joystick

### X、Y轴电位器的特性 / Specification of X and Y axes potentiometers

安装的电位器 Potentiometers mounted	SFCP22E 适用于C90JA系列, 外置电位器 / C90JA type, outside mounted	C90JB系列使用专用的特殊电阻电位器 / C90JB type: Special resistance element is exclusively used for C90JB series
阻值 Standard resistance value		10KΩ±15%
独立线性公差 Independent linearity tolerance		±3%
电气转角 Electrical rotating angle		44°±5°
中心复位精度 Center return accuracy		50%±1.5%
功率 Power rating		0.2W
预期寿命 Mechanical life expectancy		约 Approx. 5,000,000

### 接线说明 / Terminal Connection Diagram



注1 / Note 1: 仅C90JBM是导线接线端。 / Only C90JBM model has leadwire terminal.

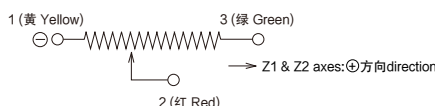
注2 / Note 2: 导线颜色如括号中所示。 / The color of leadwire is shown in parenthesis.

注3 / Note 3: 使用AWG26导线。 / AWG26 leadwire is used.

### Z1、Z2轴电位器的特性 / Specification of Z1 and Z2 axes potentiometers

安装的电位器 Potentiometers mounted	RMP30AF (翘板开关装置 / Rocker switch unit)	
阻值 Standard resistance value		10KΩ±15%
独立线性公差 Independent linearity tolerance		±3%
电气转角 Electrical rotating angle		30°±5°
中心复位精度 Center return accuracy		50%±3%
功率 Power rating		0.1W
预期寿命 Mechanical life expectancy		约 Approx. 2,000,000

### 接线说明 / Terminal Connection Diagram



注1 / Note 1: 导线颜色如括号中所示。 / The color of leadwire is shown in parenthesis.

注2 / Note 2: 使用AWG27导线。 / AWG27 leadwire is used.

### 按钮开关 (SW1、SW2、SW3和SW6) 的特性 / Specification of push button switch (SW1, 2, 3 and 6)

操作特性 Operating characteristics	触发型 (按下时闭合) / Momentary type (ON when pushed)	
容量 Rating		50V.D.C. / 0.1A
介质耐压 Dielectric strength		1min (1000V.A.C.)
绝缘电阻 Insulation resistance		>1000MΩ (500V.D.C.)
预期寿命 Mechanical life expectancy		约 Approx. 500,000

### 接线说明 / Terminal Connection Diagram



注1 / Note 1: 导线颜色如括号中所示。 / The color of leadwire is shown in parenthesis.

注2 / Note 2: 使用AWG27导线。 / AWG27 leadwire is used.

注3 / Note 3: SW6为可选规格。 / SW6 is an optional specification.

### 发光按钮开关 (SW4和SW5) 的特性 / Specification of illumination push button switch (SW4 & SW5)

操作特性 Operating characteristics	切换型 / Alternate type	
容量 Rating		30V.D.C. / 5A
发光二极管容量 Rating for illumination LED		1.85V.D.C. / 20mA
介质耐压 Dielectric strength		1min (1000V.A.C.)
绝缘电阻 Insulation resistance		>200MΩ (500V.D.C.)
预期寿命 Mechanical life expectancy		约 Approx. 10,000

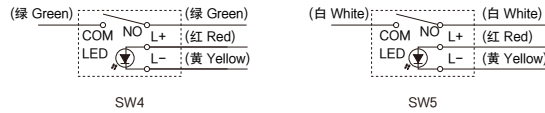
注1 / Note 1: 除非特别说明, LED的发光颜色为红色。 / The emission color of LED is red unless otherwise specified.



# C90JA·C90JB

## C90JA·C90JB系列操纵杆 C90JA·C90JB Series Joystick

### 电路图 / Circuit Diagram



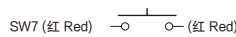
注2 / Note 2: 导线颜色如括号中所示。 / The color of leadwire is shown in parenthesis.

注3 / Note 3: 使用AWG27导线。 / AWG27 leadwire is used.

### 扳机开关 (SW7) 的特性 / Specification of trigger switch (SW7)

操作特性 Operating characteristics	触发型 / Momentary type
容量 Rating	30V.D.C. / 100mA
介质耐压 Dielectric strength	1min (600V.A.C.)
绝缘电阻 Insulation resistance	>100MΩ (500V.D.C.)
预期寿命 Mechanical life expectancy	约 Approx. 100,000

### 电路图 / Circuit Diagram



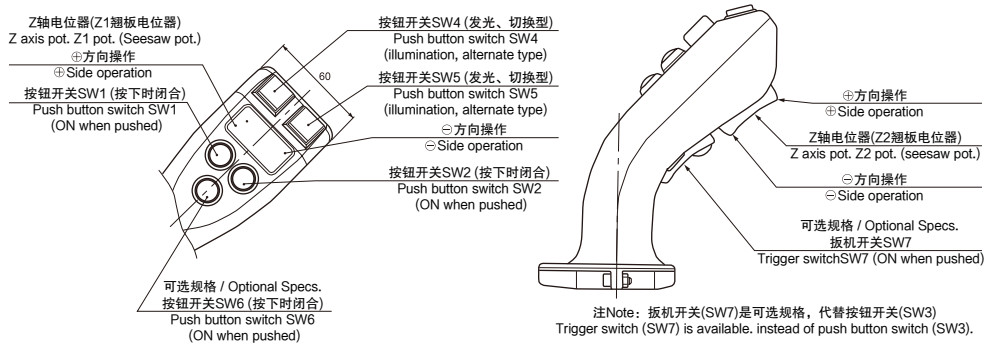
注1 / Note 1: 导线颜色如括号中所示。 / The color of leadwire is shown in parenthesis.

注2 / Note 2: 使用AWG27导线。 / AWG27 leadwire is used.

注3 / Note 3: SW7为可选规格。 / SW7 is an optional specification.

### 蛇形把手的外径及可选规格 / Outer dimensions & optional specs. on cobra shaped knob

Outer dimensions & optional specs. on cobra shaped knob (common dimensions for both model C90JAM and C90JBM)  
蛇形把手的外径及可选规格(C90JAM和 C90JBM 的尺寸相同)



注Note: 扳机开关(SW7)是可选规格, 代替按钮开关(SW3)  
Trigger switch (SW7) is available. instead of push button switch (SW3).

### 其他 / Other

X、Y轴的机械性能与标准型90JA和90JB相同 / The mechanical performances on X and Y axes are the same as those of standard 90JA & 90JB models respectively

### 特殊可选规格 / Special Specifications Available

其他机械规格 Other Mechanical Specifications	电位器“0”位调节机械和制动机械 Potentiometer's "0" position adjusting mechanism and detent mechanism
其他电气规格 Other Electrical Specifications	微动开关、改变电位器阻值、电位器带中心抽头和中心位置探测开关 Micro switch, alteration of potentiometer's total resistance value, intermediate tap of potentiometer and center position detecting switch

(当产品带特殊规格时, 其一般机械/电气性能和环境性能可能发生改变, 请预先同思博确认。 In case of the potentiometer with special specifications, the general mechanical, electrical specifications and environmental specifications may change. Please consult with SIBO in advance.)

(为了不断改进质量和设计, 所有内容均可能在没有事先通知的情况下进行改进。 All details given in this catalog may be changed without prior notice in order to continuously improve quality and designs of our products.)

思博公司版权所有, 盗用必究。 All rights are reserved by SIBO company. Embezzlement must be prosecuted.

