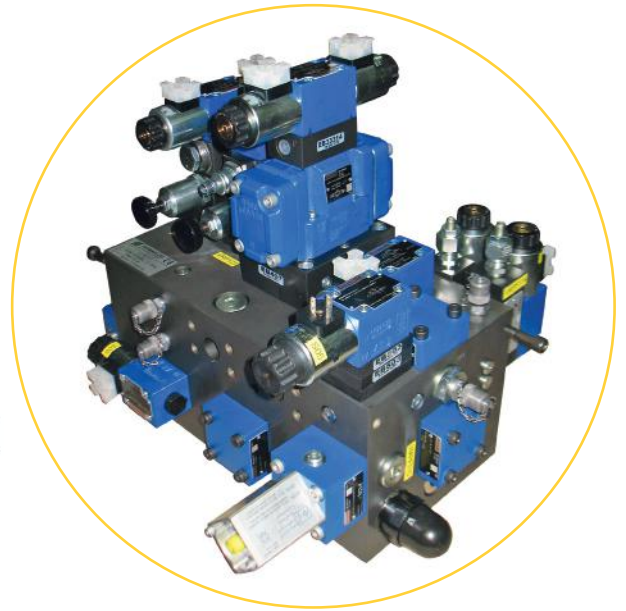
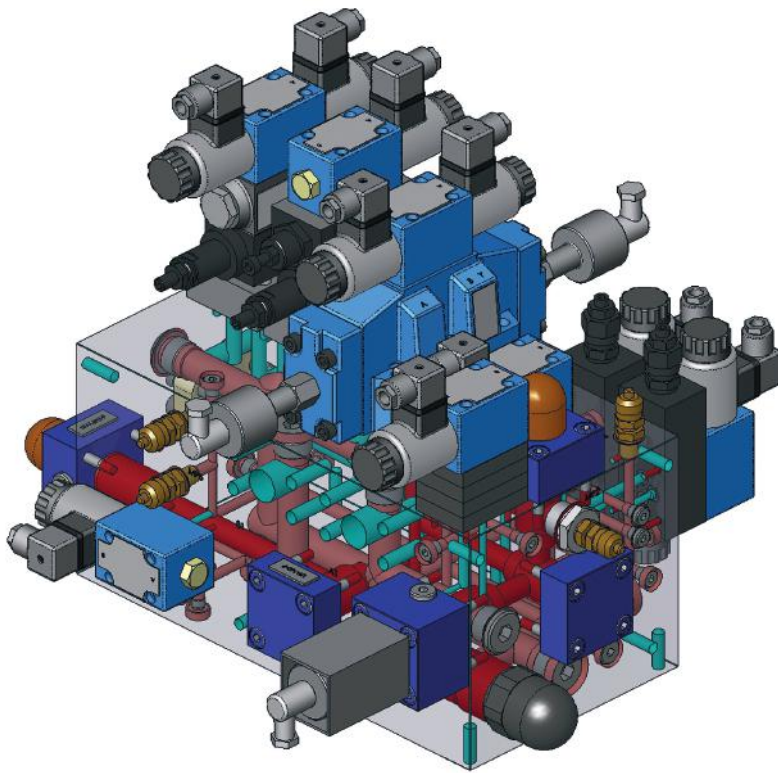


Products: Manifolds

MANIFOLD TECHNOLOGY TO DEVELOP THE MOST COMPLEX CIRCUITS

In recent years the technological development of the company has been concentrating on the **manifold** division: dedicated **softwares, significant experience, materials and components from the best brands** make it possible to simplify **extremely complex** circuits, such as those found on test benches, of compact and functional design, with ease of installation and maintenance.



MANIFOLD TECHNOLOGY TO WORK IN SMALL SPACES

The manifold is a **high quality solution** also where the **working area is restricted** or particularly tight. The possibility of defining the **assembly layout** based on the project allows us to foresee the exact dimensions and to make an accurate study of **maintenance and intervention methods** and accessibility should they be needed.

