

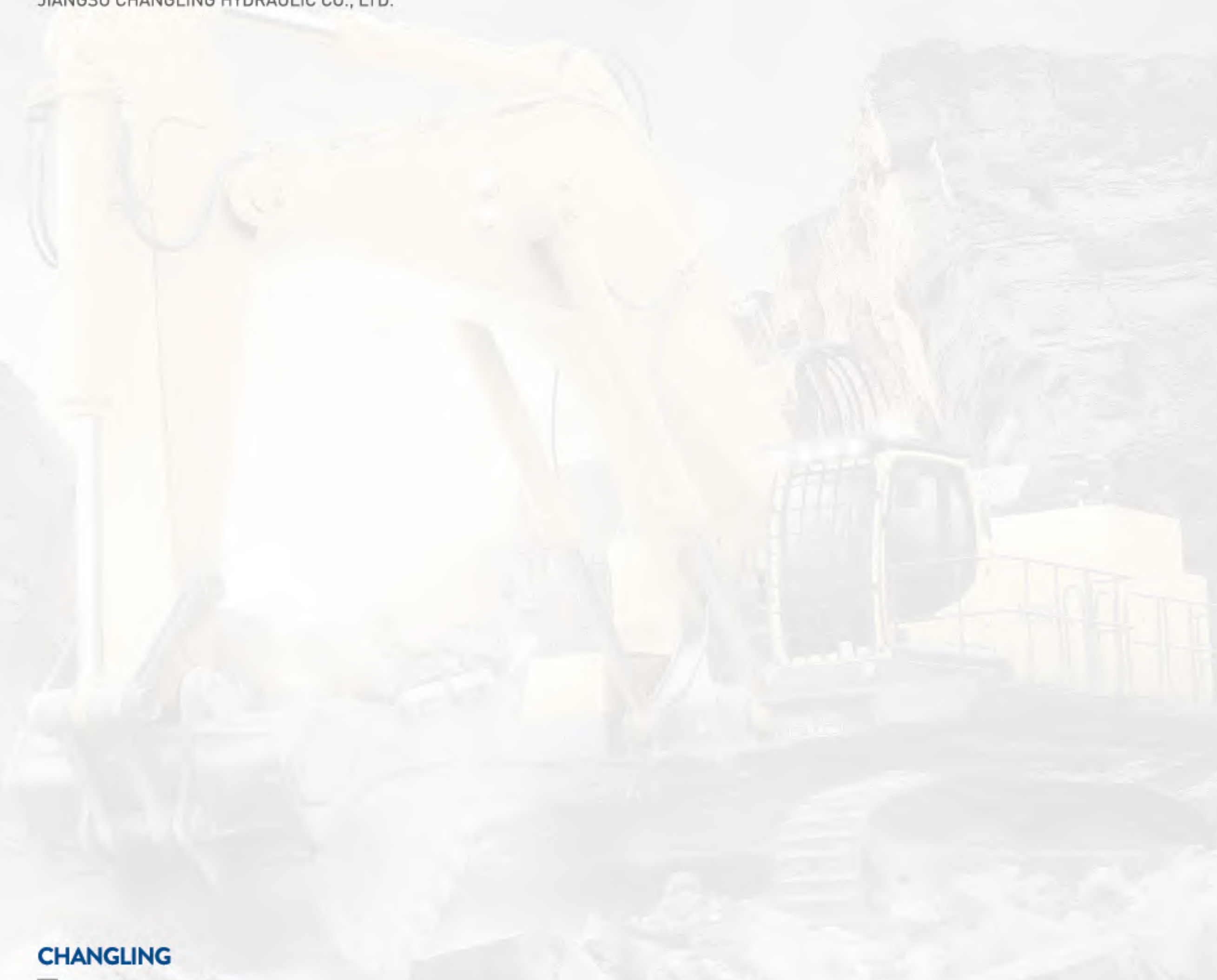


# 长龄液压 CHANGLING HYDRAULIC

股票代码：605389

专业工程机械用液压关键零部件企业  
Key Hydraulic Parts and Components Enterprise  
for Specialized Construction Machinery

江苏长龄液压股份有限公司  
JIANGSU CHANGLING HYDRAULIC CO., LTD.



CHANGLING  
[www.changlingmach.cn](http://www.changlingmach.cn)



江苏长龄液压股份有限公司  
Jiangsu Changling Hydraulic Co., Ltd.

地址：中国江苏江阴市云亭街道云顾路885号  
Add: No. 855, Yungu Road, Yunting Town, Jiangyin  
Jiangsu, China

电话(Tel): 0510-86151188 传真(Fax): 0510-8601 8588  
邮编(P.C): 214422

更多详细资料请点击网站  
For more products Please visit our website:

[www.changlingmach.cn](http://www.changlingmach.cn)

本产品可能在未预告的情况下进行规格变更，恕不另行通知。该目录中产品的颜色由于印刷原因，内容可能与实际产品不符，请以实际产品为准，请在购买前详细洽谈业务员。

Specifications of the products may be changed without forenotice. Colour of the items listed may be different from actual specification due to printing, please refer to actual color. Please contact salesman before purchase.





长龄液压

Changling Hydraulic

股票代码：605389

C H A N G L I N G

## CONTENTS 目录



01 企业简介  
COMPANY PROFILE

03 发展历程  
DEVELOPMENT HISTORY

05 资质证书  
QUALIFICATION CERTIFICATE

07 组织架构  
ORGANIZATION STRUCTURE

08 技术研发  
TECHNOLOGY R & D

09 制造能力  
MANUFACTURING CAPACITY



15 液压中央回转接头  
HYDRAULIC TURNING JOINT

19 张紧装置  
ADJUSTER CYLINDER

22 引导轮张紧装置  
IDLER GROUP

23 弹簧系列  
SPRING SERIES

24 阀类系列  
VALVE SERIES

25 销轴、轴套  
PIN, BUSHING

26 应用领域  
APPLICATION FIELD



27 合作伙伴  
PARTNER

28 社会责任  
SOCIAL RESPONSIBILITY

29 销售网络  
SALES NETWORK

31 未来展望  
FUTURE PROSPECTS



## ABOUT US

### 企业简介

江苏长龄液压股份有限公司，是一家拥有自主知识产权，集研发、生产、销售于一体的专业工程机械用液压关键零部件高新技术企业，主要产品为工程机械液压中央回转接头、液压履带张紧装置、液压阀等。公司经过多年的艰苦创业，现已发展成为国内工程机械液压零部件的主要生产基地。

### GB/T 25629-2010

2010年12月，公司主持起草的“GB/T 25629-2010 液压挖掘机中央回转接头”国家标准正式发布。

### 8, 90+

近年来，公司依靠自主研发与技术创新，突破多项核心技术，荣获8项高新技术产品和90多项专利。

Jiangsu Changling Hydraulic Co., Ltd. is a high-tech enterprise for key hydraulic components with independent intellectual property rights, integrating research, development, production, and sales. Its main products are Hydraulic turning joint, hydraulic adjuster cylinder, hydraulic valves and so on. After years of hard work, the Company has developed into the main production base of hydraulic components for construction machinery in China.

In December 2010, the national standard "GB/T 25629-2010 Central Rotary Joint of Hydraulic Excavator" drafted under the auspices of the Company, was officially issued.

In recent years, the Company broke through a number of core key technologies and won 8 high-tech products and more than 90 patents through independent research and development and technological innovation.

### 80,000

公司“移地扩建8万套工程机械用液压中央回转体、液压履带张紧装置等零部件项目”荣获2011年国家重点产业振兴和技术改造中央专项项目。

### 180,000

已建成年产18万台套工程机械用液压中央回转接头、履带张紧装置的生产能力，成为国内工程机械液压零部件的主要生产基地。

### 3,000

公司研制的组合式密封技术，大力提升了中央回转接头的产品性能。产品在装机考核时长方面，已达到国外装机考核3000小时的标准要求。

### 10+

经过多年稳健的发展和积累，公司已成功进入世界主要工程机械主机厂商的供应体系。国内企业有三一重机、徐工机械、柳工机械、龙工机械、山东临工等，外资企业有卡特彼勒、约翰迪尔、沃尔沃、斗山机械、神钢建机、住友建机等。

The Company was awarded the 2011 State Key Industry Revitalization and Technical Renovation Project by the Central Government for the purpose of "Expanding 80,000 Sets of Hydraulic Turning Joint Bodies and Hydraulic Track Adjuster Cylinder for Construction Machinery".

The annual production capacity of 180,000 sets of hydraulic turning joint and track adjuster cylinder for construction machinery has been built, and the Company has become the main production base of hydraulic components for construction machinery in China.

The combined sealing technology developed by the Company greatly improves the performance of the hydraulic turning joint. The product has reached the standard requirement of 3000 hours of installation examination in foreign countries in terms of installation examination time.

After years of steady development and accumulation, the Company has successfully entered the supply system of the world's major construction machinery manufacturers. Domestic enterprises include Sany, Xugong, Liugong, Longgong, SDLG, and foreign-funded enterprises include Caterpillar, John Deere, Volvo, Doosan, Kobelco, Sumitomo and so on.

# DEVELOPMENT HISTORY

## 发展历程

1985

与常州林业机械厂合作，生产液压零件。

The Company cooperates with Changzhou Forestry Machinery Factory to produce hydraulic parts.

1996

研制开发液压挖掘机用中央回转接头，进入工程机械液压零部件领域。

The hydraulic turning joint excavator has been developed and applied in the field of hydraulic components of construction machinery.

2000

研制生产的中央回转接头通过江苏省科技厅主持的技术鉴定。

The hydraulic turning joint developed and produced has passed the technical appraisal presided over by Jiangsu Provincial Science and Technology Department.

2007

“碧林”牌液压挖掘机用中央回转接头获得江苏省名牌产品称号。

The hydraulic turning joint for the “Bilin” brand hydraulic excavator won the title of famous brand products in Jiangsu Province.

2008

主持研发的多油路大型机械用液压中央回转接头获得国家发明专利。

The hydraulic turning joint for multi-oil-way large machinery researched and developed by the Company obtained national invention patents.

2011

“液压关键零部件扩能项目”被列为“国家重点产业振兴和技术改造中央专项”项目。

The “Expansion Project of Key Hydraulic Parts” has been listed as “the Central Special Project of National Key Industry Revitalization and Technical Transformation”.

2014

获得卡特彼勒公司SQEP认证铂金级优秀供应商。

The excellent platinum-level supplier with Caterpillar SQEP certification.

2010

主持起草“GB/T 25629-2010 液压挖掘机中央回转接头”国家标准。

The Company presided over the drafting of the national standard “GB/T 25629-2010 Central Rotary Joint for Hydraulic Excavators”.

2015

“碧林”商标被认定为江苏省著名商标。

“Bilin” trademark is recognized as a famous trademark in Jiangsu Province.

2018

完成股份制改造，更名为“江苏长龄液压股份有限公司”。

After completion of the joint-stock system transformation, the Company was renamed as “Jiangsu Changling Hydraulic Co., Ltd.”

# QUALIFICATION CERTIFICATE

资质证书

## MANAGEMENT SYSTEM

管理体系



## PATENT CERTIFICATE

专利证书



## CUSTOMER PRAISE

客户赞誉



## HONORARY QUALIFICATION

荣誉资质

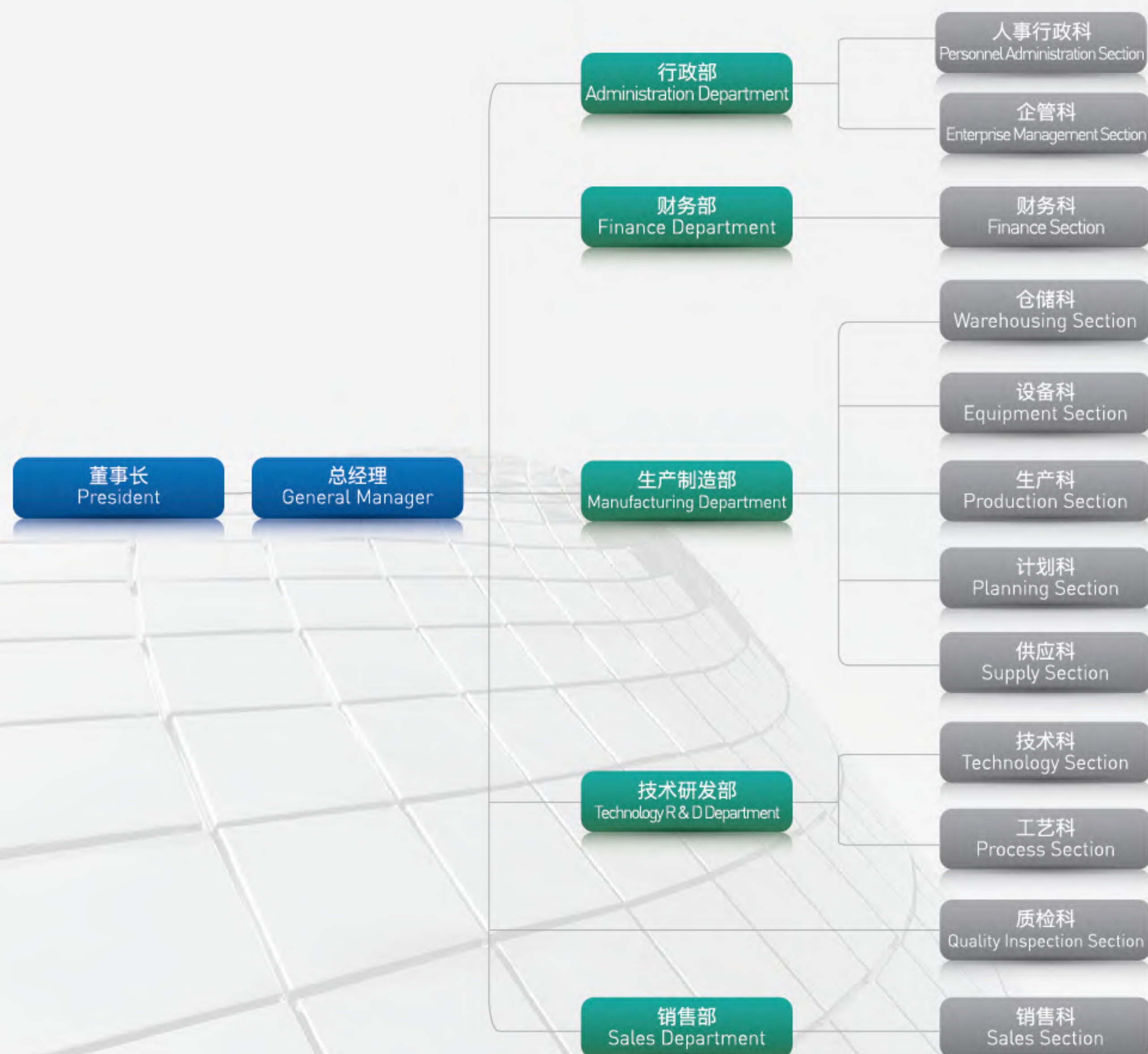


# ORGANIZATION STRUCTURE

## 组织架构

一支优秀而高效的团队是企业可持续发展的动力；一个灵动而高效的组织机构是企业保持良性运转的重要支柱，只有管理顺了才能产生更好的效益；只有凝聚企业员工的集体智慧，众志成城才能应对不断变化的市场环境，才能给企业带来持续向上的朝气和蓬勃的生命力。

An excellent and efficient team is the driving force for the sustainable development of an enterprise; A flexible and efficient organizational structure is an important pillar for an enterprise to maintain a good operation, and only the smooth management can produce better benefits; Only by condensing the collective wisdom of the enterprise staff, can we cope with the ever-changing market environment and bring the enterprise sustained and vigorous vitality.



# TECHNOLOGY R & D

## 技术研发

公司始终将技术创新作为其核心竞争力，不断加大自身科研队伍建设和研发设备投入，已形成由技术中心牵头，以技术骨干为纽带、各工段技术小组为支点的多层次技术创新运行模式，持续开展应用技术和行业前沿的新产品、新工艺研究，成功开发出科技含量高、市场竞争力强、经济效益好的技术成果，树立了行业领先的技术优势。

公司为江苏省高新技术企业，建有江苏省重型机械用液压中央回转工程技术研究中心。经过多年研发投入，已突破多项核心技术，拥有8项高新技术产品和90多项专利，成功开发了多通道重型机械用液压中央回转装置等具备自主知识产权的产品。

The Company always regards technological innovation as its core competitiveness, continuously increases its own scientific research team construction and research and development equipment investment. The Company has formed a multi-level operation mode of technological innovation led by the technology center, linked by the backbone of technology and supported by the technical groups of each section. The Company continues to carry out applied technology and industry-frontier new products, and new technology research. The Company has successfully developed technical achievements with high-tech content, strong market competitiveness, and good economic benefits, and set up the industry's leading technological advantages.

The Company is a high-tech enterprise in Jiangsu Province, Jiangsu Province, which built a hydraulic turning joint engineering technology research center for heavy machinery in Jiangsu Province. After years of investment in research and development, the Company has broken through many key technologies, possessed 8 high-tech products and more than 90 patents, and successfully developed products with independent intellectual property rights, such as multi-channel hydraulic turning joint devices for heavy machinery.





Product Painting Line 产品涂装线

# MANUFACTURING CAPACITY

制造能力

## 产能规模

已建成年产 18 万台套工程机械用液压中央回转接头、履带张紧装置的生产能力,能够满足客户大批量交货需求。

### SCALE OF PRODUCTION CAPACITY

The annual output of 180,000 sets of hydraulic turning joint and track adjuster cylinder for construction machinery has been completed, which can meet the mass delivery requirements of customers.



3-Coordinate Inspection 三坐标检测



R & D Center 研发中心

## 团队协作 流程驱动

推动六西格玛, 15 项指导原则和课题改善, 激发一线员工的效能, 提高客户满意度, 夯实竞争优势。

### TEAM COOPERATION, PROCESS DRIVING

Promote Six Sigma, 15 guiding principles and issues to improve, motivate front-line employees' effectiveness, improve customer satisfaction and consolidate competitive advantage.

# MANUFACTURING CAPACITY

制造能力



## 高效、敏捷的交付能力

多年积累打造成成长龄精益生产模式，实施数字化车间改造，打通订单需求 - 企业资源计划 - 车间制造执行 - 交付配送等供应链环节，能够满足客户多品种、小批量和按节拍交付的订单要求。

### EFFICIENT AND FAST DELIVERY CAPABILITY

Over the years, we have built up Changling's lean production mode, carried out the transformation of the digital workshop, and opened the supply chain links of order demand-enterprise resource planning-workshop manufacturing execution-delivery and distribution, which can meet the customers' requirements of multi-varieties, small batches and delivery according to the rhythm.



## 打造质量品牌，树立行业信誉

凭借多年工程机械用液压关键零部件领域的研发积累，打造从精加工到总装的智能化单元生产线。具备完善的检测试验设备，如气密性试验、耐久性试验、型式试验设备等。产品质量稳定性、可靠性等核心指标已达到国际领先厂家同等水平。

### BUILD UP QUALITY BRAND AND CREDIT REPUTATION OF INDUSTRY

With years of research and development in the field of key hydraulic components for construction machinery, we have built an intelligent unit production line from finishing to final assembly. We have perfect testing equipment, such as the airtightness test, durability test, and type test equipment. Product quality stability, reliability and other core indicators have reached the same level of international leading manufacturers.



## 复杂工况, 超高压, 大吨位液压 回转装置的加工制造能力

拥有自主研发和创新能力, 突破多通道液压回转装置制造工艺瓶颈, 打破国外技术垄断, 产品广泛应用于盾构机、海上作业平台、港口作业车、高空作业平台、大吨位履带吊等。

### MANUFACTURING CAPACITY OF HYDRAULIC ROTARY DEVICES WITH COMPLEX WORKING CONDITIONS, ULTRA-HIGH PRESSURE, AND LARGE TONNAGE

With independent research and development and innovation ability, we have broken through multi-channel hydraulic rotary device manufacturing process bottleneck and broken foreign technology monopoly. The products are widely used in shield machine, offshore operation platform, port operation truck, high-altitude operation platform, large tonnage crawler crane and so on.



Rotary machining 回转体加工



Robot welding 机器人焊接

## HYDRAULIC COMPONENTS FOR EXCAVATORS 挖掘机用液压零部件



PIN BUSHING  
销轴、轴套

HYDRAULIC TURNING JOINT  
中央回转接头



IDLER GROUP  
引导轮张紧装置

COMPACT AND POWERFUL  
CAN BE REALISED  
**Smooth** OPERATION

紧凑、强力  
可以实现顺畅的操作



# HYDRAULIC TURNING JOINT


## 液压中央回转接头


液压中央回转接头是挖掘机、起重机、高空作业车、盾构机、旋挖机、平地机、海上作业平台等液压系统中的关键零部件，其作用是连接整个液压系统中固定与旋转部分的液压管路，使系统液压管路上下两部分具有相对回转运动 360 度而不发生干扰。“碧林”牌系列液压中央回转接头按国际标准生产，达到世界先进水平。具有回转力矩小、转动灵活、工作压力高、密封性能好、使用寿命长等特点，产品性能完全替代进口。


A Hydraulic turning joint is the key component of the hydraulic systems, such as excavator, crane, aerial work vehicle, shield machine, rotary excavator, grader, and offshore work platform. Its function is to connect the fixed and rotary hydraulic pipelines in the whole hydraulic system so that the upper and lower parts of the hydraulic pipelines have a relative rotary motion of 360 degrees without interference. "Bilin" brand series of hydraulic turning joints are produced according to international standards, reaching the advanced level in the world. With a small rotating moment, flexible rotation, high working pressure, good sealing performance, long service life, and other characteristics, the product performance is a complete substitute for imports.


## ADVANTAGES


### 五大优势

 使用寿命长  
Long Service Life

 密封性好  
Sealing Performance

 回转力矩小  
Small Rotating Torque

 工作压力高  
High working pressure

 转动灵活  
Flexible rotation



ZH0642A104-0000  
液压中央回转接头



ZH0811A100-0000  
液压中央回转接头



ZH0842A100-0000  
液压中央回转接头



ZH0641A300-0000  
液压中央回转接头



ZH0401A101-0000  
液压中央回转接头

现配套三一重机、徐工机械、柳工机械、龙工机械、山东临工、青岛雷沃、厦工等国内著名工程机械厂家；以及外资品牌欧美卡特彼勒、约翰迪尔、沃尔沃、JCB、韩国现代重工、斗山机械、日本住友建机、神钢建机、日立建机等。

The Company is cooperating with Sany, Xugong, Liugong, Longgong, SDLG, Qingdao Lovol, Xiagong, and other famous domestic construction machinery manufacturers; Foreign brands such as European and American Caterpillar, John Deere, Volvo, JCB, Korea Hyundai, Doosan, Sumitomo, Kobelco, and Hitachi.



ZH0641C000-0000  
液压中央回转接头



ZH0812A000-0000  
液压中央回转接头



ZH0812C000-0000  
液压中央回转接头



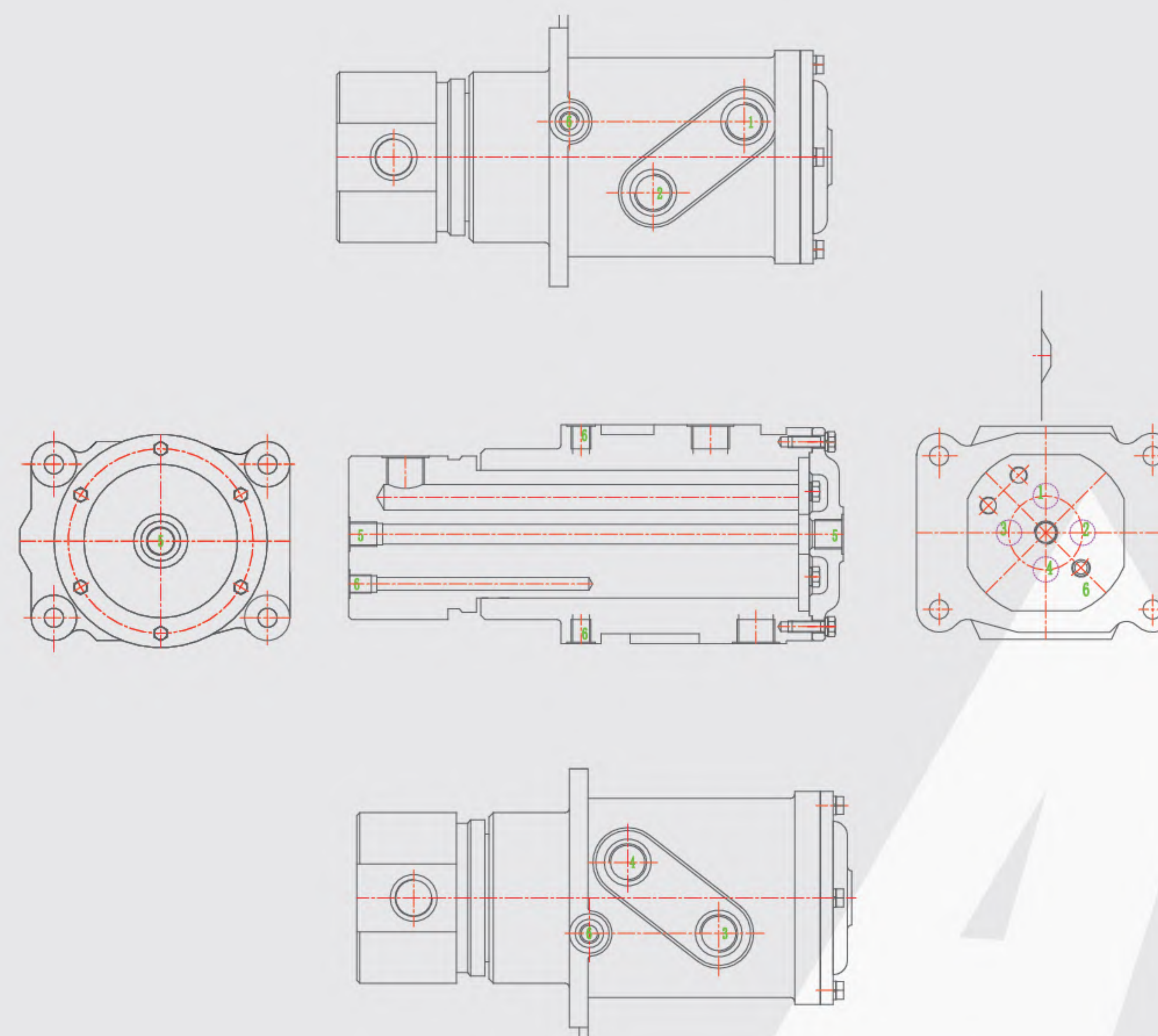
ZH0641B200-0000  
液压中央回转接头



ZH0651A300-0000  
液压中央回转接头

## SCHEMATIC DIAGRAM OF TURNING JOINT

### 中央回转接头示意图



# ADJUSTER CYLINDER

## 张紧装置

“碧林”牌张紧装置适用于挖掘机、起重机、旋挖机、平地机等全液压履带式行走机械，主要功能是实现履带的张紧功能，防止掉带。现配套三一重机、徐工机械、柳工机械、龙工机械、青岛雷沃、厦工等国内著名工程机械厂家，以及外资品牌卡特彼勒、现代重工等。

"Bilin" adjuster cylinder is suitable for excavators, cranes, rotary excavators, graders and other fully hydraulic crawler-type walking machinery, and the main function is to achieve the crawler tensioning function, to prevent the crawler from falling off. The Company is cooperating with Sany, Xugong, Liugong, Longgong, Qingdao Lovol, Xiagong, and other famous domestic construction machinery manufacturers, as well as foreign brands such as Caterpillar and Hyundai.



▲ ZJ14B07-0000  
张紧装置



▲ ZJ44C01-0000  
张紧装置



▲ ZJ01F02-0000  
张紧装置



▲ ZJ12L01-0000  
张紧装置



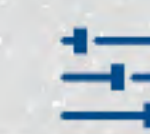
▲ ZJ02E06-2000  
张紧装置

## ADVANTAGES

### 产品优势



减少阻力  
Resistance Reduction



缓冲作用  
Buffering



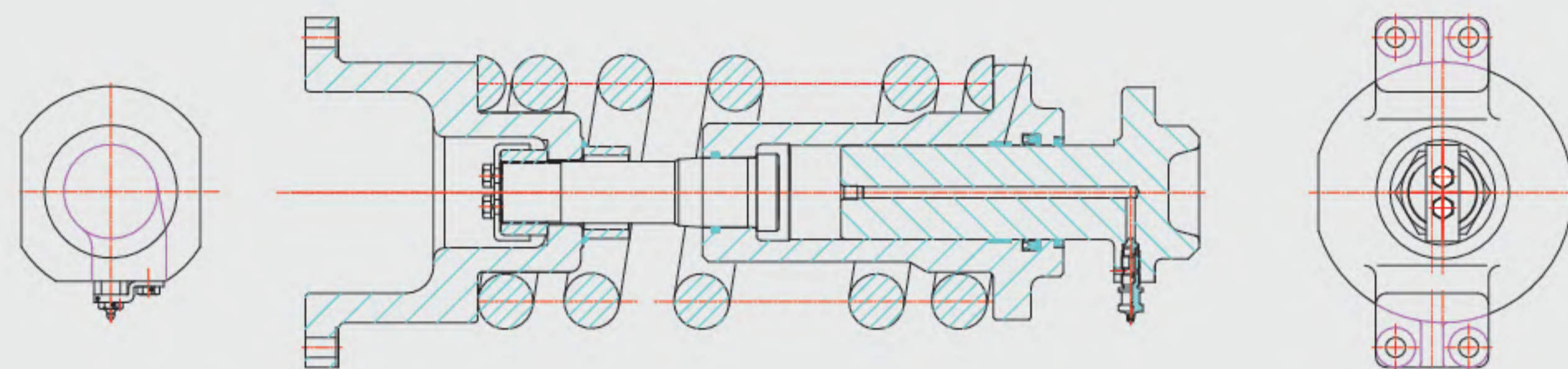
安全稳定  
Safe and stable



使用寿命长  
Long Service Life

SECTIONAL VIEW OF PRODUCT OUTLINE

产品外形剖视图



ZJ53A00-0000  
张紧装置



ZJ42B02-0000  
张紧装置



ZJ71A02-0000  
张紧装置

# IDLER GROUP

引导轮张紧装置



YZ35A00-0000  
引导轮张紧装置

# SPRING SERIES

## 弹簧系列

生产工程机械、矿山机械、铁路车辆、电力设备等行业所需的弹簧产品，线径规格 $\Phi 20 \sim \Phi 95\text{mm}$ ，原材料定点采购自兴澄特钢、上钢五厂、南钢的60Si2CrVA、50CrVA、60Si2CrA、60Si2CrVA、60Si2MnA等。现主要配套于三一重机、徐工机械、柳工机械、山东临工、现代重工、龙工机械、青岛雷沃等著名工程机械厂家。

Spring products required by construction machinery, mining machinery, railway vehicle, electric power equipment, and other industries are manufactured with wire diameter specifications  $\Phi 20\text{-}\Phi 95\text{ mm}$ . Raw materials are purchased from 60Si2CrVA, 50CrVA, 60Si2CrA, 60Si2CrVA, and 60Si2MnA of Xingcheng Special Steel, Shanghai Five Steel Plants and Nanjing Nangang Iron & Steel United Co., Ltd. The Company is cooperating with Sany, Xugong, Liugong, SDLG, Hyundai, Longgong, Qingdao Lovol, and other famous construction machinery manufacturers.



# VALVE SERIES

## 阀类系列

“长龄”液压阀配套：小型挖掘机的各种阀块，梭阀及动臂保持阀等；装载机变速箱等部件的液压控制阀等。该系列产品使调速系统变速平稳，起到控制机械前进、后退、变速及制动等作用，具有良好的系统运行可靠性和安全稳定性。

“Changling” hydraulic valve supporting: various valve blocks of small excavators, shuttle valves and boom retaining valves; Hydraulic control valves and the like for components such as loader gearboxes. This series of products can make the speed control system change speed smoothly and control the mechanical forward, backward, speed change and braking, and have good system operation reliability and safety and stability, etc.



系统运行可靠性  
System operation reliability

安全稳定性  
Safety and reliability

# PIN BUSHING

## 销轴、轴套

“长龄”销轴表面经中频淬火，具有较好的抗冲击韧性。中孔采用深孔加工技术，提高了深孔的表面粗糙度，使其润滑更畅通。“长龄”轴套，内孔油槽是由单8字，2个8字，4个椭圆交叉而成的（按工况要求设计油槽），减少接触面积，使油槽储油量更充足，进一步提高挖掘机、装载机的使用性能。

The surface of the "Changling" pin has good impact toughness after medium frequency quenching. The surface roughness of the deep hole is improved and the lubrication is smoother by adopting the deep hole machining technology in the middle hole. "Changling" Bushing and inner hole oil groove are formed by crossing single 8-type oil groove, two 8-type oil grooves and 4 ellipses (oil groove is designed according to working conditions), so as to reduce contact area, make oil storage in oil groove more sufficient, and further improve the service performance of excavator and loader.



轴套

销轴



ZH0962A000-0000  
液压中央回转接头



ZH1532A202-0000  
液压中央回转接头

## APPLICATION FIELD

### 应用领域

依靠多年工程机械用液压关键零部件领域的研发积累，借助国家重大装备制造领域优先发展的春风，在复杂工况、超高压、多通道、大吨位液压中央回转接头上取得重大技术突破，业已形成设计、制造、批量化和创新能力。广泛应用于挖掘机、起重机、高空作业车、盾构机、旋挖机、平地机、港口作业车、海上作业平台等领域。

Relying on the accumulated research and development of key hydraulic components for construction machinery for many years, and with the help of the priority development in the field of national major equipment manufacturing, major technological breakthroughs have been made in the hydraulic turning joint with complex working conditions, ultra-high pressure, multi-channel and large tonnage hydraulic pressure, and the design, manufacture, batch quantification and innovation capabilities have been formed. It is widely used in excavators, cranes, aerial vehicles, shield machines, rotary excavators, graders, port vehicles, offshore platforms, and other fields.

## PARTNER

### 合作伙伴

我们始终坚持以客户为中心而开展一切工作,秉持真心,时刻关注客户的需求。我们以强大的技术力量团队,根据不同客户的具体要求提供切实可行的技术方案,为客户提供满意的产品。

We always carry out all work based on customers, adhere to the sincerity, and always pay attention to the needs of customers. We are a strong technical force team, which provides practical technical solutions and satisfactory products for customers according to the specific requirements of different customers.



## SOCIAL RESPONSIBILITY

### 社会责任



#### 可持续性发展

近年来,公司投资兴建 1.3MW 太阳能发电机组,实现清洁、可再生能源的利用。采用水溶性涂料,开发更清洁、更绿色技术,将可持续发展作为公司发展战略的重要组成部分。

#### Sustainable development

In recent years, the Company has invested in the construction of 1.3 MW solar generating sets to achieve the use of clean and renewable energy. The Company adopts water-soluble coatings, to develop cleaner and greener technologies, and regard sustainable development as an important part of the Company's development strategy.

#### 助学扶贫

设立扶贫助学基金,多年来资助当地贫困学生、贫困家庭,激励学生以知识和勤劳改变命运,累计发放扶贫金近 200 万元。捐资建设当地中小学新校区建设,与社区和谐共生发展。

#### Aid Students and Alleviate Poverty

Over the years, the fund has been set up to help poor students and poor families in the region, encouraging them to change their fate with knowledge and hard work, and has distributed nearly 2 million yuan in aid-the-poor grants. The Company contributed funds to build new school districts in local primary and secondary schools and has harmonious and symbiotic development with the community.

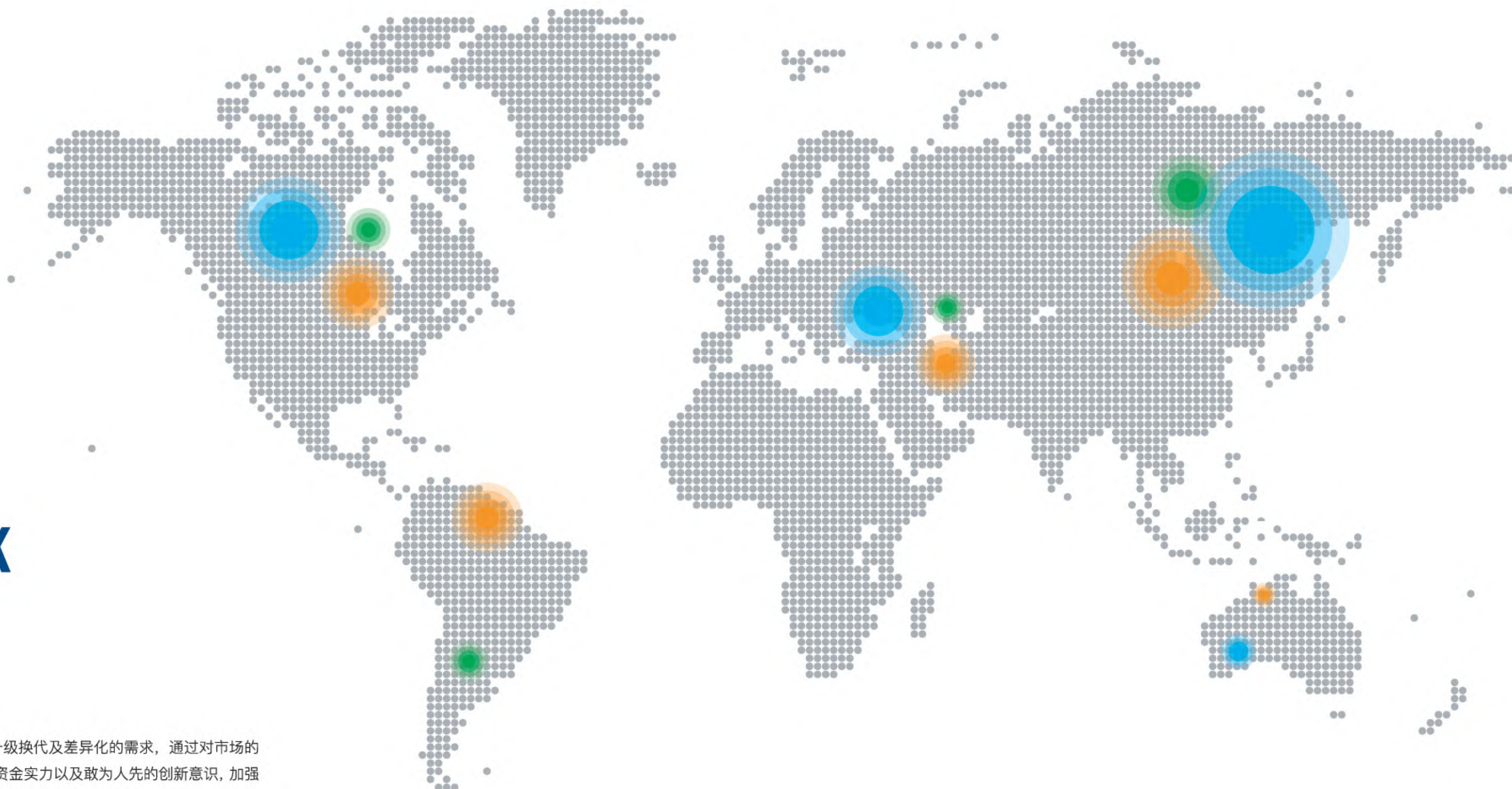


# SALES NETWORK

## 销售网络

长龄液压时刻关注客户产品的升级换代及差异化的需求，通过对市场的分析理解，秉承公司技术能力、资金实力以及敢为人先的创新意识，加强与国内重点科研院所、工程机械制造企业进行战略协作，凭借广阔的市场资源，推动产品的研发与创新，形成了“生产一代、开发一代、预研一代”的新产品核心竞争模式，提高产品的核心竞争力。

The Changling Hydraulic Co., Ltd. always pays close attention to customer product upgrading and the differentiation demand. Through the analysis and understanding of the market, the Company adheres to the Company's technical ability, capital strength and innovation consciousness of daring to take the lead, to strengthen strategic cooperation with domestic key research institutes and construction machinery manufacturing enterprises, and rely on broad market resources to promote product research and development and innovation, to form a new product core competition mode of "production generation, development generation, pre-research generation", so as to improve the core competitiveness of products.



Guided by the national "Belt and Road" policy,  
Follow the footsteps of the global layout of the OEM,  
Changling hydraulics opens  
A new journey of internationalization.

在国家“一带一路”政策的指引下，  
跟随主机厂全球化布局的脚步，  
长龄液压开启国际化的新征程。



# GLOBAL STRATEGY PARTNER

全力开发与全球高端工程  
机械用户长期合作战略

## FUTURE PROSPECTS

### 未来展望

站在更高的起点上，发展是长龄液压的第一要务。我们无法精确的预测未来，但可以脚踏实地，一步一个脚印的为公司未来而奋斗。我们将接受挑战，实现公司宏伟目标。公司秉承“始于用户需求，终于用户满意”的服务理念，努力为广大客户提供更有价值的服务，伴随卓越梦想，迈出新征程。

Development by standing at a higher starting point is the first priority of Changling Hydraulic Co., Ltd. We cannot accurately predict the future, but we can be down to earth, to strive for the future for the Company step by step. We will be challenged to achieve the Company's ambitious goals. The Company adheres to the service philosophy of "beginning with customer needs, and ending with customer satisfaction", makes efforts to provide customers with more valuable services, and starts a new journey along with the dream of excellence.



#### IMPROVEMENT OF CUSTOMER SATISFACTION

提高用户满意度



#### COMPETITIVE PRICE

有竞争力的价格



#### STABLE PRODUCT QUALITY

稳定的产品质量