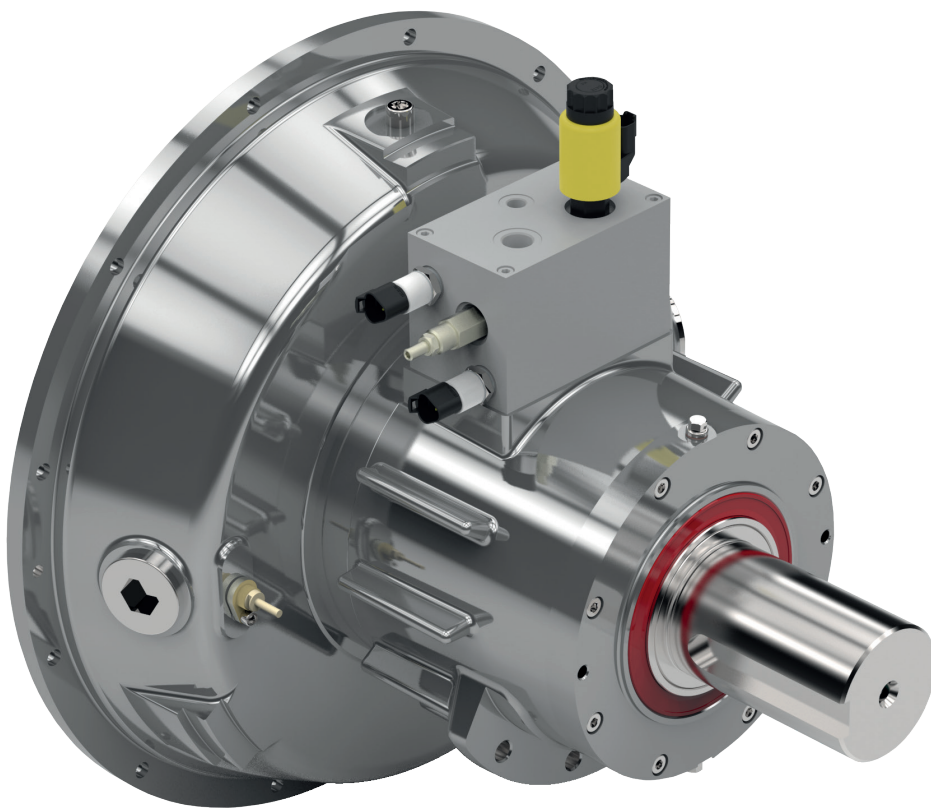


DESCH PRODUCTS FOR MOBILE APPLICATIONS



Planox[®] clutch PHRA 143/1 SR an addition to the DESCH Planox[®] range



Technical specification

max. output torque	6000 Nm (4425 lb-ft)
max. operating speed	2250 rpm
engaging speed	800 rpm
max. operating pressure	350 bar (5076 psi)

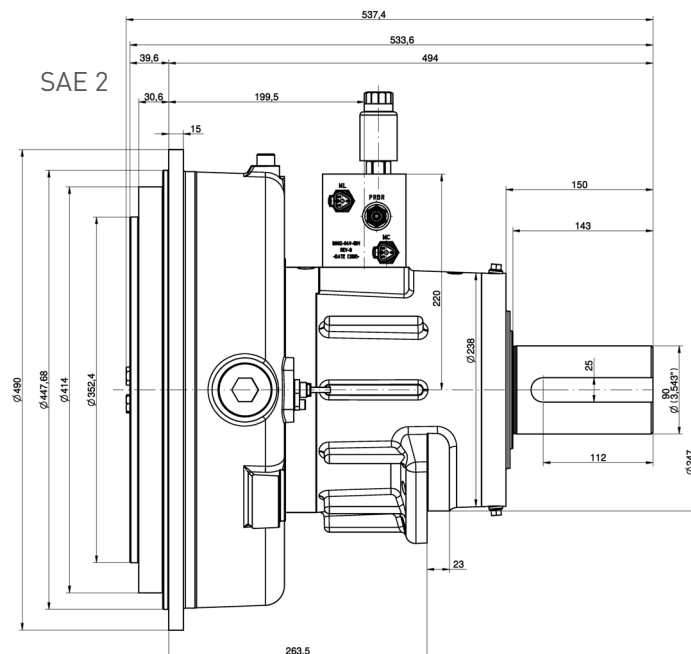
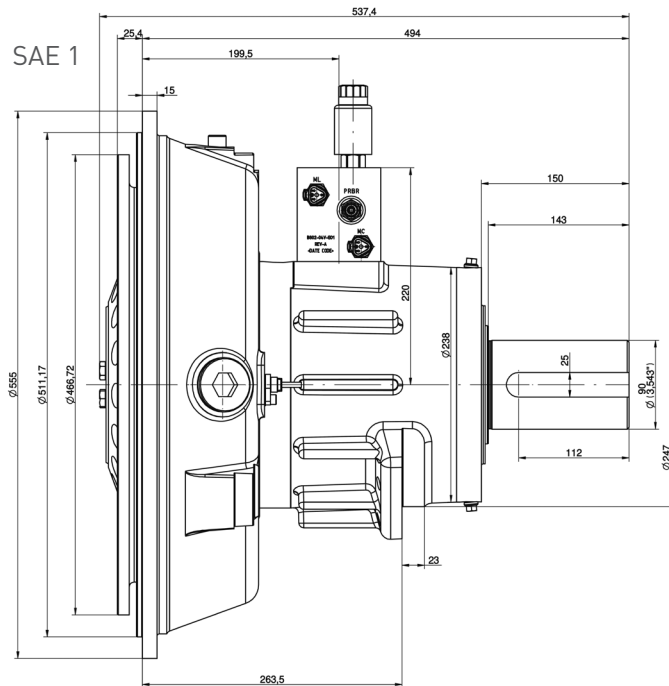
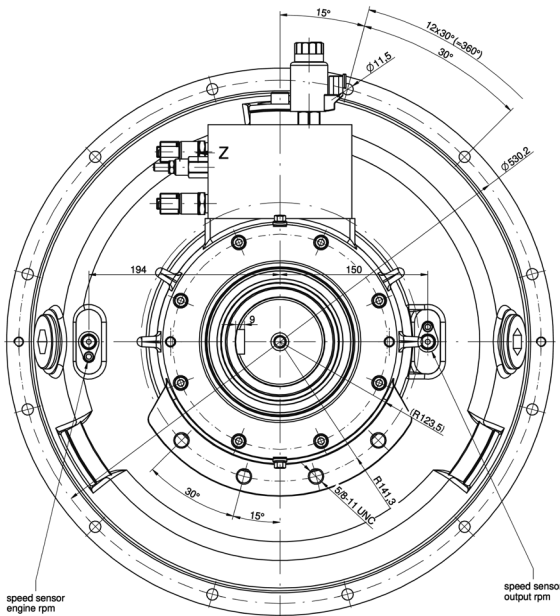
Benefits

- high radial / axial load
- latest generation of clutch control
- self contained
- no pilot bearing
- compact design
- available in SAE 1 and SAE 2 bellhousing
- plug and play speed sensors
- hydraulic input supply up to 350 bar
- J1939 compatible
- heavy duty clutch plates





SMART DRIVE SOLUTIONS



INTERNATIONAL

Nidec DESCH Antriebstechnik GmbH & Co. KG
 Postbox 1440
 59753 Arnsberg/Germany
 Kleinbahnstraße 21
 59759 Arnsberg/Germany
 T +49 2932 300 0
 F +49 2932 300 899
 info@desch.com
 www.desch.com

DESCH China
 Machinery (Pinghu) Co., Ltd.
 No. 1680 Xingping 1 Road, Build. 3
 Pinghu Economic Technological
 Development Zone
 314200 Zhejiang P. R. China
 T +86 573 8557 8988
 F +86 573 8557 8989
 desch.china@desch.com

DESCH Italia
 DESCH Drive Technology
 Official Representative
 in Italy
 Via G. Garibaldi, 3
 20053 Rodano / Milano
 Italy
 T +39 02 477 58 426
 desch.italia@desch.com

DESCH UK
 DESCH Antriebstechnik
 GmbH & Co. KG
 Unit 2
 38 Jubilee Road
 Newtownards BT23 4YH
 Northern Ireland
 T +44 2890 020 996
 uk.sales@desch.com

DESCH Canada Ltd.
 240 Shearson Crescent
 Cambridge
 Ontario
 Canada N 1T 1J6
 T +1800 2631866
 +1519 6214560
 F +1519 6231169
 desch.canada@desch.com

DESCH USA LP
 Sales, Engineering,
 Service Support
 3700 Embassy
 Parkway, Suite 530
 Akron Ohio 44333
 T +1 330 937 9030
 F +1 330 937 9031
 sales.usa@desch.com

DESCH USA LP
 Manufacturing,
 Assembly
 4940 Merrifield Rd
 Dallas
 Texas 75236
 desch.dallas@desch.com