

颞式破碎机 | Jaw Crusher

颞式破碎机（简称鄂破机）主要用于各种矿石与大块物料的中等粒度破碎，可破碎抗压强度不大于320 Mpa的物料，分粗破和细破两种。PE系列颞式破碎机规格齐全，其给料粒度125mm~1200mm。是初级破碎首选设备。颞式破碎机(鄂破机)广泛运用于矿山、冶金、建材、公路、铁路、水利和化工等多种行业。大中型颞式破碎机是我公司的拳头产品之一，尤其在设计和生产大型颞式破碎机方面，在国内外已处于绝对领先水平。



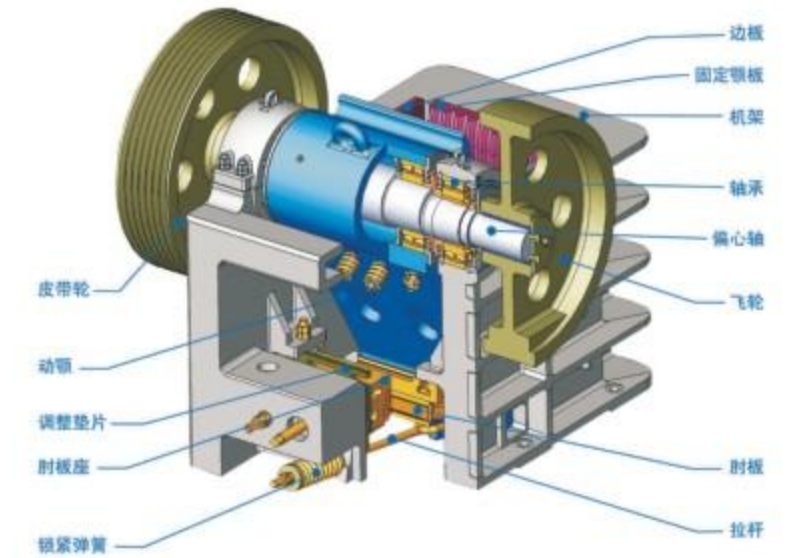
Cavity jaw crusher is mainly used for all kinds of ores and medium-size bulk materials broken, can be broken compressive strength is not more than 320Mpa materials, divided into coarse and fine broken two broken. PE series crusher machine specification is complete, the particle size is 125mm-1200mm, primary crushing equipment is preferred. Jaw crusher (jaw crusher) is widely used in mining, metallurgy, building materials, highway, railway, water conservancy and chemical industries. Large and medium-sized jaw crusher is one of the main products of our company, especially in the design and production of large jaw crusher, both at home and abroad have an absolutely leading level.

产品特点 Product characteristics

颞式破碎机的工作部分是两块颞板，一是固定颞板（定颞），垂直（或上端略外倾）固定在机体前壁上，另一是活动颞板（动颞），位置倾斜，与固定颞板形成上大下小的破碎腔（工作腔）。颞式破碎机破碎方式为曲动挤压型，电动机驱动皮带和皮带轮，通过偏心轴使动颞上下运动，当动颞上升时肘板和动颞间夹角变大，从而推动动颞板向定颞板接近，与此同时物料被挤压、搓、碾等多重破碎；当动颞下行时，肘板和动颞间夹角变小，动颞板在拉杆、弹簧的作用下离开定颞板，此时已破碎物料从破碎腔下口排出，随着电动机连续转动破碎机动颞作周期性的压碎和排料，该破碎机实现批量生产。



The working part of jaw crusher is composed of two jaw plates, one is fixed jaw plate (fixed jaw), which is fixed on the front wall of the machine body vertically (or slightly tilted at the upper end), the other is movable jaw plate (movable jaw), which is inclined in position and forms a large and small crushing cavity (working cavity) with fixed jaw plate. The jaw crusher is of the curved extrusion type. The motor drives the belt and pulley to make the moving jaw move up and down through the eccentric shaft. When the moving jaw rises, the angle between the elbow plate and the moving jaw increases, so as to push the moving jaw plate close to the fixed jaw plate. At the same time, the material is crushed, rubbed, rolled and other multiple crushing, When the moving jaw goes down, the angle between the elbow plate and the moving jaw decreases, and the moving jaw plate is in the pull rod Under the action of spring, it leaves the fixed jaw plate. At this time, the crushed materials are discharged from the lower opening of the crushing chamber. With the continuous rotation of the motor, the motor jaw of the crusher is used for periodic crushing and discharging, and the crusher realizes mass production.



主要技术参数 Main technical parameters

型号规格 Model	进料口尺寸 Feed Inlet size (mm)	最大进料尺寸 Inlet feeding Length (mm)	出料口尺寸 Discharge port size (mm)	处理能力 Handling capacity (t/h)	偏心轴转速 Eccentric shaft speed (r/min)	电机功率 Motor Power (kw)	重量 Weight (t)	外形尺寸 Overall dimensions (L×W×H)(mm)
PE150×250	150×250	125	10-40	1-3	250	5.5	0.8	720×660×850
PE200×300	200×300	180	15-50	2-6	260	7.5	1.2	910×750×990
PE200×350	200×350	180	18-70	3-10	260	11	1.5	1000×870×990
PE250×400	400×250	200	20-50	5-20	300	15	3	1430×1310×1340
PE400×600	400×600	350	40-100	15-60	275	30-37	7	1700×1732×1653
PE500×750	500×750	425	50-100	40-110	275	45-55	12	2035×1921×2000
PE600×900	600×900	480	65-160	90-180	250	55-75	17	2290×2206×2370
PE750×1060	750×1060	630	80-140	110-320	250	90-110	29	2655×2302×3110
PE900×1200	900×1200	750	95-165	220-450	200	110-132	58	3800×3166×3045
PE1000×1200	1000×1200	850	200-300	280-560	200	110-160	69	5350×4280×3050
PE1200×1500	1200×1500	1020	150-300	400-800	180	160-220	100.9	6380×5310×3710
PE1500×1800	1500×1800	1200	210-360	520-1100	280	280	132	7460×6235×4249
PEX150×750	150×750	125	18-48	5-16	320	15	3.8	1200×1500×1200
PEX250×750	250×750	210	25-60	15-30	330	22-30	5	1667×1545×1020
PEX250×1000	250×1000	210	25-60	15-50	330	30-37	7	1550×1946×1380
PEX250×1200	250×1200	210	25-60	20-60	330	37-45	8.5	2192×1900×1950
PEX300×1300	300×1300	250	20-90	30-90	300	55-75	11.5	1750×2320×1724