

邮编/Postcode: 200129
TEL : 400-670-9985 (24小时销售热线)
Web : www.china-shjy.com
Email : info@china-shjy.com



上海建冶机器有限公司
SHANGHAI JIANYE MACHINE CO.,LTD.

地址：中国上海浦东新区金桥路1389号
Add:1389 Jinqiao Rd. Pudong New District, Shanghai China



中英-2105

建冶产品设计与规格可能不断改进,其数据也相应有所变动,届时恕不能另行通知,印刷过程中可能使资料内的产品外观及颜色与实物有差别,请最终以实物为准,该资料最终解释权归本公司所有。

Dimensions and specifications are subject to change without notice in accordance with our policy of continuous product improvement. The appearance and color between the machines in the brochure and real machines may be have a light difference according to printing, so please refer to the real machines. The right to interpret this brochure is reserved by shanghai JIANYE Co.,Ltd.

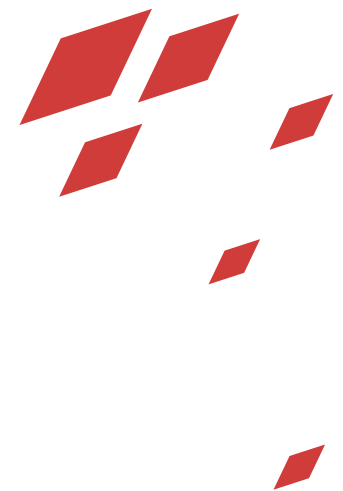
Create harmonious
boom built
Jianye 和谐腾飞 缔造建冶



上海建冶机器有限公司
SHANGHAI JIANYE MACHINE CO.,LTD.

目录 Contents

	01/ 高压磨粉机系列 Grinder Mill		10/ 反击式破碎机系列 Impact Crusher Series
	02/ 超细磨粉机 Scm Series Super-micro Mill		11/ 高效制砂机\节能复合细碎制砂机 Efficiency Fine Sand Making Machine
	03/ 一体式悬辊磨机 Grinder Mill		12/ 辊式级配机 Roller grading machine
	04/ 砂粉磨粉机 Sand Powder Milling Machine		13/ 振动筛系列 Vibrating Screen Series
	05/ HPT系列多缸液压圆锥破碎机 HPT Cone Crusher		14/ LSX/XSD 砂石洗选机系列 Sand Washer Machine
	06/ HST系列单缸液压圆锥破碎机 HST Cone Crusher		15/ 碎石制砂生产线成套设备系列 Complete Crusher Plant
	07/ JY圆锥破碎机系列 JY Cone Crusher Series		16/ 移动式破碎站 Mobile Crushing Station
	08/ 颚式破碎机系列 Jaw Crusher Series		17/ 皮带输送机系列 Belt Conveyor Series
	09/ 旋回式破碎机 Gyratory crusher		18/ 振动喂料机系列 Vibrating Feeder





公司简介 Company profile

上海建冶机器有限公司从事工业用磨粉机、破碎机械的生产和研发十余年。为高速公路、铁路、水电以及建筑废弃物资源化提供优质解决方案，目前国家专利近四十个，建冶专注于绿色节能高端成套设备的创新与制造，只为社会净化环境！建冶公司已通过GB/T19001-2000-ISO9001:2000，GB/T19001-2008/ISO9001:2008质量体系国际认证。公司与宝钢十三冶、水电八局、二十五局、成都川交路桥、中航技公司、PT.SUPER ADITEKNIK(印尼)、HUMAN ENGINEERING CO .LTD. (沙特)等中外知名企业建立了长期良好的商务关系，公司的客户群分布于全国二十多个省市，更有产品出口至东南亚、南美洲、欧洲、非洲、台湾等七十多个国家和地区。

“和谐腾飞 缔造建冶”建冶人坚持以技术成熟、质量过硬、价格合理、服务周到为企业生存根本，以客户满意作为我们的目标。公司热忱欢迎广大国内外客户光临指导，参观考察，咨询洽谈。

Shanghai Jianye Machine Co., Ltd. has been engaged in the production and R&D of industrial mill and crusher for many years. We provide high-quality solutions for expressway, railway, hydropower and construction waste recycling and have nearly 40 national patents. Jianye company focuses on the innovation and manufacture of green energy-saving high-end complete sets of equipment, only to purify the environment for the society! Jianye company has passed GB/T19001-2000-ISO9001:2000 and GB/T19001-2008/ISO9001:2008 international quality system certification. The company has established long-term good business relations with famous Chinese and foreign enterprises such as Baoshan Iron and Steel Company, Hydropower Eight Bureau, Twenty-five Bureau, Chengdu Sichuan Luqiao, China Aviation Technology Company, PT. SUPER ADITEKNIK (Indonesia), HUMAN ENGINEERING CO., Ltd. (Saudi Arabia). Our customers are distributed in more than 20 provinces and cities throughout the country, and more products are exported to more than 70 countries and regions such as Southeast Asia, South America, Europe, Africa and Taiwan.

"Harmonious take-off, creating Jianye" all the staff of Jianye company adhere to mature technology, high quality, reasonable price, thoughtful service as the fundamental survival of enterprises, and take the customer satisfaction as our goal. Our company warmly welcomes domestic and overseas customers to visit, consultation and negotiation.

01 / Grinder mill 高压磨粉机系列



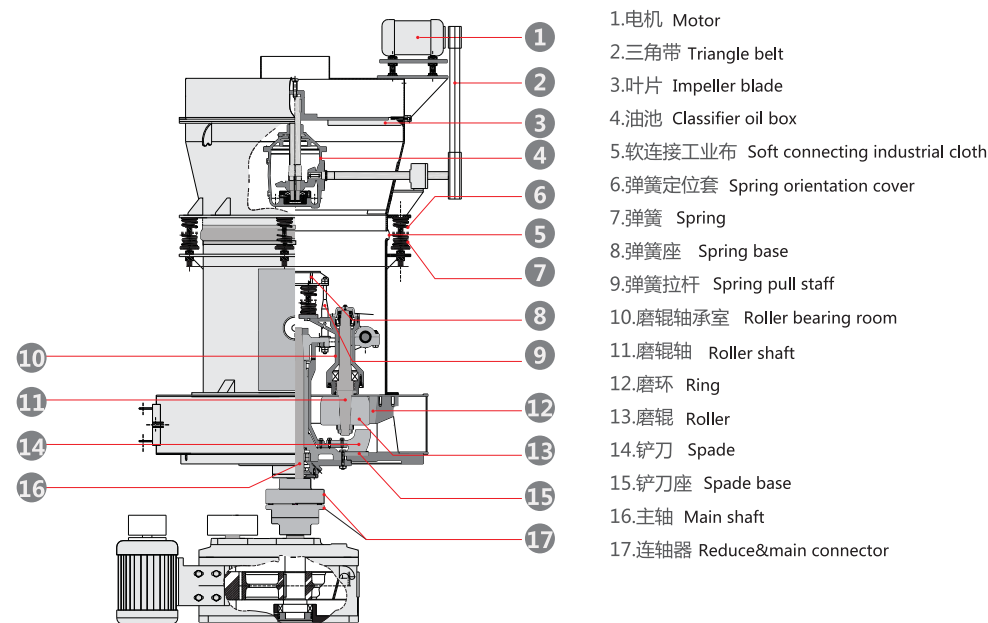
专利号 Patent No. (ZL201120507944.X, ZL201120267634.5)

产品简介 Product introduction

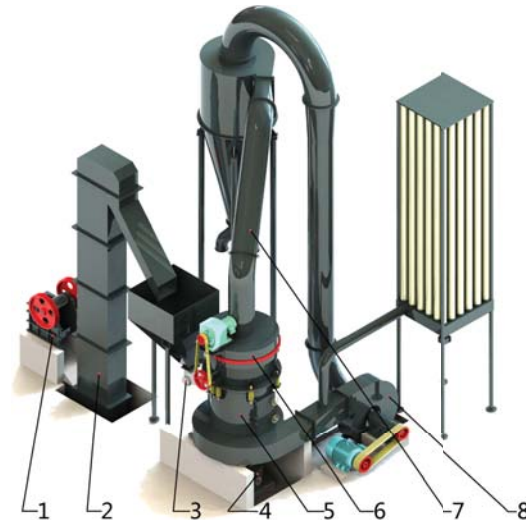
该机适用于粉碎重晶石、石灰石、陶瓷、矿渣等莫氏硬度不大于9.3级，湿度在6%以下的非易燃易爆的矿山、冶金、化工、建材等行业680多种物料的高细制粉加工，成品粒度在60-1250目范围调节（最细2500目）。通过机内增加的特殊装置，可生产出10-60目的粗粉。

The machine is used to grind barite, limestone, ceramics, etc, such noninflammable and non-explosive stuff, which the hardness is below 9.3 Mohs and moisture is less than 6% in the trades of mining, metallurgy, chemical engineering and construction material, The fineness size is adjustable in the range of 60-1250 mesh (It can even reach to 2500 mesh). It is possible to produce 10-60 mesh powder through assembling special device in the machine.

结构示意图 Structural Drawing



全套设备示意图 Diagram for the complete set



1. 颚式破碎机 2. 斗式提升机 3. 电磁振动给料机
4. 传动装置 5. 主机 6. 分析机 7. 管道装置 8. 鼓风机
1. Jaw Crusher 2. Bucket Elevator 3. Electro-magnetic Vibrating Feeder
4. Transmission Devices 5. Main Mill 6. Classifier 7. Pipe 8. Blower



高压磨粉机参考产量 High pressure grinding machine reference yield

产品型号/Model	成品细度/Final fineness(mm)		
	0.125	0.075	0.044
产量/Capacity			
YGM7815	1.5-3.0	1.1-2.2	0.8-1.4
YGM8514	1.8-5.0	1.3-2.8	1.0-2.0
YGM9518	2.0-8.2	1.8-3.6	1.3-3.0
YGM4121	2.3-13.6	2.0-4.5	1.8-4.0
YGM4528	4.6-21.8	4.9-13.7	2.0-8.0

高压磨粉机技术参数 High pressure grinding machine technology parameters

产品代号Model	YGM7815	YGM8514	YGM9518	YGM4121	YGM4528
磨辊/Roller	个数/Number	3	3	4	5
	直径/Diameter (mm)	260	270	310	410
	高度/Height (mm)	150	140	180	210
磨环/Ring	内径/Diameter (mm)	780	830	950	1280
	高度/Height (mm)	150	140	180	210
最大进料/Max feeder size (mm)	<15	<20	<25	<30	<35
成品粒度/Production size (mm)	0.613-0.033	0.613-0.033	0.613-0.033	0.95-0.044	1.6-0.045
主机功率/Main Mill power	18.5	22	37	75	132
风机功率/Blower power	15	22	37	75	132
分析机功率/Classifier power	2.2	5.5	5.5	7.5	15

注：表中处理能力指粉碎石灰石，其产品的通过率80%。
Note: in the table, the capacity refers to grind of limestone, passing rate is 80%.

02 / SCM Series super-micro mill 超细磨粉机

专利号 Patent No. (ZL201430107499.7、 ZL201220174753.0)

超细磨粉机 SCM Series Super-micro Mill

SCM系列S超细磨粉机是我公司根据15年的磨机生产经验,吸收国外磨机生产厂家的优点,经过充分考虑、研究、试验12种磨粉机以及卧式环锤粉碎机,通过多次研究与实验而开发出高效低成本的超细粉加工设备。

SCM Series Super-micro Mill is on the bases of our company's 15 year product experience. By plenitude review, investigation and try on 12 kinds mill and horizontal crusher, by time after time investigation an experience empolder making high efficiency and low cost super thin mill.

产品主要用途 Application

SCM系列超细微粉磨是一种细粉及超细粉的加工设备,它主要适用于中、低硬度,莫氏硬度<6级的非易燃易爆的脆性物料,如方解石、白垩、石灰石、白云石、高岭土、膨润土、滑石、云母、菱镁矿、伊利石、叶腊石、蛭石、海泡石、凹凸棒石、累托石、硅藻土、重晶石、石膏、明矾石、石墨、萤石、磷矿石、钾矿石、浮石等。

SCM Series Super-micro Mill is a equipment which produces thin and super thin powder. It can process the material with non-flammable and non-explosive Mohs' hardness below 6, such as calcite, chalk, limestone, dolomite, kaolin, bentonite, steatite, mica, magnesite, meerschaum, barite, gypsum, alunite, graphite, fluorite, floatstone, etc.

产品特点 Feature

1. 高效: 在成品细度相同的情况下,比气流磨与搅拌磨的产量高40%。
2. 易损件利用程度高: 在物料及成品细度相同的情况下,比冲击式破碎机与涡轮粉碎机的磨损件使用寿命长,一般可达一年以上。
3. 安全可靠: 因磨腔内无滚动轴承、无螺钉,所以不存在轴承及密封件易损的问题,不存在螺钉易松动而损坏机器的问题。
4. 产品细度高: 产品细度一次性可达到d97≤5um。
5. 环保: 脉冲除尘器和消声器的使用减轻粉尘的污染和噪音,达到国家的环保标准,对周围的环境起到了环保的作用。

1. High-efficiency
In the same condition of finished particles the capacity is higher 40% than airflow mill and wish mill.
2. High-using rate for spare parts
In the same condition of material and finished particles size, the life of spare parts is longer than impact crusher and turbine crusher. Commonly about one year.
3. High dependability
There is no rotary bearing and bolts, does't have abrasion of bearing and seal parts, doesnt damage the machine because the bolts is flexible.
4. The product thin degree is high
The thin degree can achieve d97<5 um.
5. Environmental protection
Ligten powder and noise pollution. because using impulse dust cleaner, achieve standard environment protection.

工作原理 Working principle

主机电动机通过减速器带动主轴及各层转盘旋转,转盘通过柱销带动几十个环辊在磨环滚道内滚动并旋转。大块物料经锤式破碎机破碎成小颗粒后由提升机送入储料仓,电磁振动给料机将物料均匀的送到上转盘的中部,物料在离心力的作用下散向圆周边,并落入磨环的滚道内被环辊冲压、滚碾、研磨而粉碎,物料经第一层粉碎后落入第二层及第三层,高压离心风机的抽吸作用将外部空气吸附机内,并将经过第三层粉碎后的粗粉带入选粉机内。选粉机内旋转的涡轮使粗颗粒物料回落重磨,细粉则随气流进入旋风集粉器并由其下部的卸料阀排出即为成品,而带有少量细粉尘的气流则经过脉冲除尘器净化后通过风机和消声器排出。

Host motor is rotating through reducer drives the main shaft and layers turntable, turntable through pin drives dozens of ring scroll and rotate within the roller raceway.
The bulk material crushed by the hammer crusher into the small particles then enter into the storage hopper by bucket elevator, electromagnetic vibrating feeder take materials to the middle of the top turntable uniformly, the materials scattered the circum under the influence of centrifugal force, and fall into the ring raceway, to be stamped, grinded and crushed by roller, after crushed by the first layer then falling into the second layer and third layer, the pumping action of the high-pressure centrifugal fan took outside air adsorbed to the machine, and took the coarse power through third layer into powder separator.
The rotating turbine makes coarse material down and regrinding, the fines with the air flow into the cyclone collector and discharge by the discharge valve, the airflow with a small amount of fine dust after clean by impulse dust cleaner, then discharged by blower and muffler device.



产品型号model	SCM8021	SCM9024	SCM1036	SCM1250
环辊数量Number of roller(piece)	21	24	36	44
工作直径Ring diameter(mm)	φ800	φ900	φ1000	φ1300
磨环及滚道数量Number of ring(piece)	1*3	2*4	2*4	2*4
主机转速Main equipment rotate speed	230~400	200~220	180~200	135~155
最大进料尺寸Max.feed size(mm)	<10	<20	<20	<20
成品粒度Final size(mesh)	325~2500	325~2500	325~2500	325~2500
产量Capacity(kg/h)	400~4500	400~5500	400~7500	1200~12000
外形尺寸Overall dimension(m)	13*3*5.8	14.7*4.8*8.6	18*4.6*8.6	14*9*10.25

03 Grinder mill 一体式悬辊磨机



建冶独家专利技术

Jianye exclusive patented technology

Already applied patent

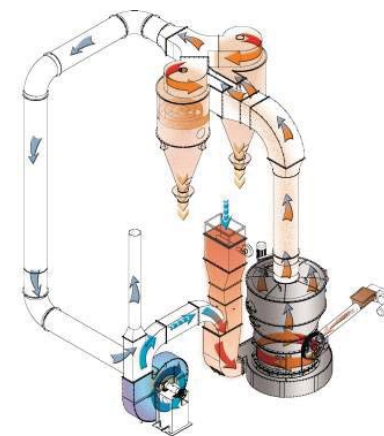
专利号 Patent No.201410533804.4\201420603054.2

相比传统磨机的七大突破：

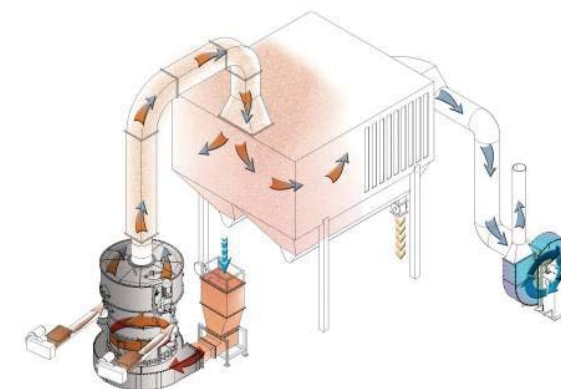
- 1、内置减速机，相比传统磨机外置减速机大大加强管路密封性，节省空间,设备可直接安装在地面上，不需要复杂基础。
- 2、机体内部设有气流隔离圈，气流空间更合理。
- 3、磨环采用分段式，更换简便。
- 4、磨辊表面采用可修补材质，运行成本降低。
- 5、采用双进料口，进料稳定，产量更高。
- 6、主机转速可调，针对不同物料，采用不同转速，适用方面更广泛。
- 7、磨辊磨环间隙可调，针对不同需求可根据成品细度调节。

Seven points of innovation than traditional grinder mill

- 1.Compared with the external reducer of traditional mill, the internal reducer greatly strengthen the sealing pipeline and save space. The equipment can be installed directly on the ground and do not need complex foundation.
- 2.The body of equipment with air isolation ring and the air space is more reasonable.
- 3.The grinding ring adopts segmented design and it's convenient to replacement.
- 4.The surface of the grinding roller can be adopted to repair material, reduce running cost.
- 5.Using the double inlet, the feeding is stability and the yield is higher.
- 6.The engine speed can be adjusted for different materials and more widely application for adopting different speed.
- 7.The gap between ring and roller can be adjusted, regarding to different inquiry, it can produce different production size.



闭路式循环系统
Close loop

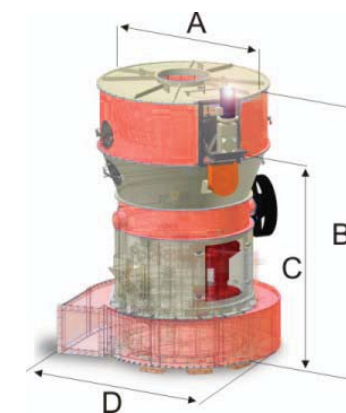


开路式循环系统
Open loop

产品简介 Product introduction

【应用领域】:该一体式磨粉机适用于矿山、冶金、化工、建材等行业多种物料的高细制粉加工，成品粒度最细可达20μm。
 【Scopes】:JYM1900 grinder mill is suitable for mining,metallurgy, chemicals, building materials and other industries. Its production is fine powder, the finest size can be 20μm.
 【适用物料】:适用于研磨莫氏硬度不大于9.3级、含水量6%以下非易燃易爆的各种矿石，如重晶石、方解石、大理石、石灰石及陶瓷。
 【Applicability】: it is better for Mon' s hardness less than 9.3, moisture is less than 6%all kind of non-incendive and non- explosive mineral stone, such as barite, calcite, marble,limestone and ceramics.

技术参数 Technical Parameter



型号Model	磨环直径 Ring Dia(毫米MM)	最大进料尺寸 Max.feed in size(毫米MM)	出料最细可达 Min.output size(微米um)	产量	功率KW	外形尺寸Overall dimensions(A/B/C/D)
4/150	1500	15	20	2.5-31	132	2430*4200*2190*2820
6/190	1900	30	20	3.5-40	160	2830*4300*2300*3700
6/230	2300	35	20	5.5-62	315	2950*5200*2800*4000

04 Sand Powder Miling Machine 砂粉磨粉机

专利号 Patent No. (ZL201310067981.7、 ZL201320097720.5)

产品优势和特点 Advantages and characteristics

- 磨制1.5mm 石灰石时，辊轮与衬板的磨耗不到5g/t，可连续使用1-2年。
- 机器运转时，噪声小，没有风扇效应，无扬尘，如在机器底部适当排风，效果更好。
- 日常维护仅需定时加油，故障少、动转率高。研磨介质使用周期长，磨损后可方便的更换，也可堆焊修复。
- 粉磨效率高，磨制1.5mm石灰石粉时的单位电耗6至10度/吨。
- While grinds 1.5mm limestone, the roller wheel and liner wear less than 5g/t, can be used continuously for 1-2years.
- The machine operates, low noise, There is no blower in conical mill, in this case there is nearly no dust pollution. It has a proper ventilation in the bottom of the machine, the result will be better.
- Proper ventilation in the bottom of the machine, the result will be better.
- During maintenance, you just need to do lubrication on time. There is less breakdown, high running rate. Longer working life for wearable parts. Easy to change wearable part. Roller can be repaired by surfacing.
- Lower power consumption. During grinding 1.5mm limestone coarse powder, the unit power consumption is 6-10 kwh/t.

产品简介 Product introduction

该磨机结构独特、性能卓越、运行可靠、高效节能、行业，用于粉磨（或超细碎已广泛应用于建材、冶金、矿山、电力、化工等）水泥、水泥生料、铁矿、矿渣、石灰石、白云石、长石、石英、蛇纹石、重晶石、萤石、页岩、煤矸石、原煤、石灰、石膏、电石等。从投资、电耗、易损件磨耗、物料水分的适应性等方面来看，是目前技术水平和工艺条件下最为理想的预磨设备。对系统的提产节能，降低生产成本和提高精矿的质量卓有成效，为企业创造更大的利润空间，整体提高了矿产资源的开发利用效益。

The mill has many features as following: unique structure, innovative design, excellence performance, reliable running, energy-efficient. It can used for construction, metallurgy, mining, electricity, chemicals etc, for grinding (or super-crushing) of cement, cement raw materials, iron ore, slag, limestone, dolomite, feldspar, quartz, serpentine, barite, fluorite, shale, coal gangue, coal, lime, gypsum, calcium carbide and so on. From the investment, power consumption, wearing parts wear, theadaptability ofmaterial moisture are, is the level of technology and process conditions ideal for pre-ground equipment. The system provides energy saving production, reduce production costs and improve the quality of concentrate to create greater profit margins, and overall improve the development and utilization of mineral resources.



工作原理 Working principle

该磨机结构合理，机器上部传动，通过减速机带动主机旋转，装在主轴上的3至4个磨辊在磨环中转动。物料从上部给入，在磨辊与磨环之间形成料层，物料受到磨辊的反复碾压而成为粉末，从磨机底部卸料口排出，由提升机送入分级设备，细粉为成品，粗粉返回磨机。磨辊与磨环之间的间隙、主轴转速、弹簧压力和料层厚度，可根据成品细度调节。

The structure is reasonable, transmit from the upper part of the machine, main mill driven by the reducer, there are three to four roller installed in the main shaft turn around on the ring. The material is feed from top, deposit into the space between roller and annular conical liner. After the roller grinding again and again, it becomes into powder, discharge from bottom, transfer through bucket elevator, then goes into powder separator. The fine powder is production. Coarse powder is returned back to re-grind again. The roller and grinding ring gap, main shaft speed, the spring pressure and material thickness, can be adjusted according to the fine-ness of the finished product.

技术参数 Technology parameters

机型/Model	JYM5055	JYM6065	JYM8085
生产能力/Capacity t/h	20-30	40-55	60-80
给料大小/Feeder size mm	< 30	< 45	< 50
产品细度/Product fineness mm	0-5	0-5	0-5
电机功率/Motor power kw	110	185	250
外形尺寸/Overall dimensions m	φ3.1X4.8	φ4.1X5.1	φ5.1X5.5

05 HPT Cone Crusher HPT系列多缸液压圆锥破碎机

产品优势 Advantage

- 结构升级 效率更高 Structure upgrade and higher efficiency
- 全液压操控 准确可靠 Full hydraulic control with accurate and reliable
- 液压润滑一体化 设备控制自动化 Hydraulic lubrication integration and automation of equipment control
- 层压破碎 出料粒形好 Laminated crushing and good product shape
- 多腔型转换 一机多用 Multi cavity conversion and one machine with more purposes



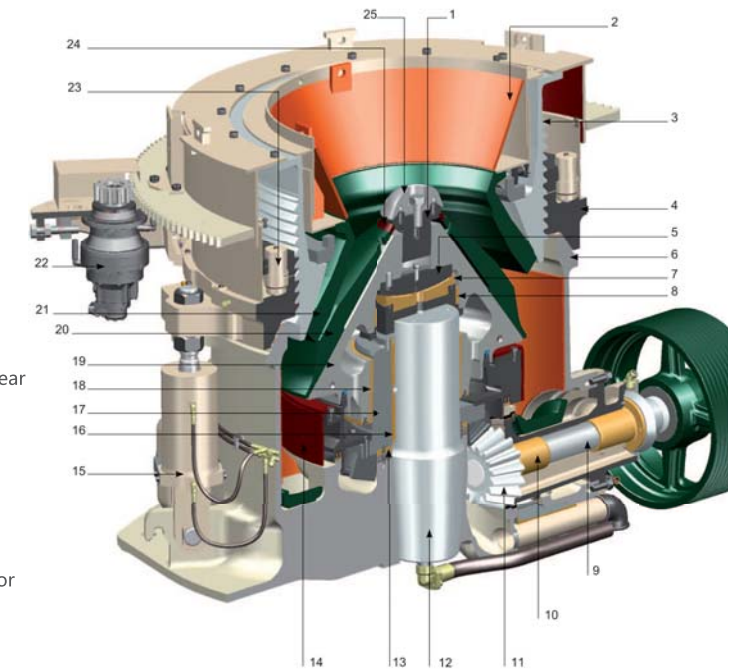
工作原理 Working principle

HPT系列多缸液压圆锥破碎机工作时，电机通过皮带轮和三角带带动设备传动轴转动，传动轴通过大小锥齿轮带动偏心套绕主轴转动，偏心套带动动锥做旋摆运动，使动锥和定锥时而靠近、时而远离轧臼壁，物料在轧臼壁和破碎壁形成的破碎腔内不断受到挤压、冲击而破碎，破碎的物料从下部排出。

When the HPT series multi cylinder hydraulic cone crusher working, the motor drives the gear shaft to rotate through a belt pulley and a triangular belt, the drive shaft drives the eccentric sleeve rotate around the main shaft through the size of the cone gear, the eccentric sleeve drives the movable cone swing movement, and he moving and the fixed cone sometimes close to the concave and sometimes far way. The material were constantly being squeezed, impacted and crushed in the crushing cavity which was formed between concave and mantle. The broken material were discharged from the lower part.

结构示意图 Structural Drawing

- 1 - 锁紧螺母 Locking screw
- 2 - 给料斗 Feed hopper
- 3 - 定锥 Fixed cone
- 4 - 调整环 Adjusting sleeve
- 5 - 动锥球体 Movable cone sphere
- 6 - 主机架 Main frame
- 7 - 球面瓦 Spherical tile
- 8 - 动锥上衬套 Movable cone upper liner
- 9 - 传动轴 Transmission shaft
- 10 - 传动轴外轴套 Transmission shaft sleeve
- 11 - 大小齿轮 Big/small gear
- 12 - 主轴 Main shaft
- 13 - 偏心套止推轴承 Eccentric sleeve thrust bear
- 14 - 配重护板 Counterweight plate
- 15 - 过铁释放总成 Iron release assembly
- 16 - 偏心套衬套 Eccentric sleeve liner
- 17 - 偏心套 Eccentric sleeve
- 18 - 动锥下衬套 Movable cone lower liner
- 19 - 动锥 Movable cone
- 20 - 动锥衬套 Movable cone liner
- 21 - 定锥衬套 Fixed cone liner
- 22 - 液压调整马达 Hydraulic adjustment motor
- 23 - 锁紧缸 Locking cylinder
- 24 - 切割环 Cutting ring
- 25 - 给料盘 Feed plate



型号Model	腔型Chamber	紧边给料口尺寸Size of feeding mouth(mm)	最小排料口尺寸 Min.discharge opening (mm)	处理能力 Capacity (t/h)	最大装机功率 Power(kw)
HPT100	C1(超粗Ultracoarse)	140	19	50-140	90
	C2(粗Coarse)	100	13		
	M(中Medium)	70	9		
	F1(细Fine)	50	9		
	F2(超细Superfine)	20	6		
HPT200	C2(粗Coarse)	185	19	90-250	160
	M(中Medium)	125	16		
	F1(细Fine)	95	13		
	F2(超细Superfine)	75	10		
HPT300	C1(超粗Ultracoarse)	230	25	110-440	250
	C2(粗Coarse)	210	19		
	M(中Medium)	150	16		
	F1(细Fine)	105	13		
HPT400	C1(超粗Ultracoarse)	295	30	135-630	315
	C2(粗Coarse)	251	25		
	M(中Medium)	196	20		
	F1(细Fine)	110	13		
HPT500	C1(超粗Ultracoarse)	330	38	220-790	400
	C2(粗Coarse)	290	30		
	M(中Medium)	210	22		
	F1(细Fine)	135	16		
HPT800	C1(超粗Ultracoarse)	350	38	310-1200	630
	C2(粗Coarse)	299	32		
	M(中Medium)	265	25		
	F1(细Fine)	220	16		
	F2(超细Superfine)	150	13		

06 HST Cone Crusher

HST系列单缸液压圆锥破碎机

产品优势 Advantage

- 生产效率高承载能力强 High production capacity and excellent grain type of output product
- 维护运行成本低 Special bearing design for much more carrying capacity and longer life
- 全自动控制生产过程 Enhanced body design makes it quite reliability.
- 多腔型适应多种工艺需求 Easy to adjust discharging opening and to maintain by using optimized hydraulic lubrication station



工作原理 Working principle

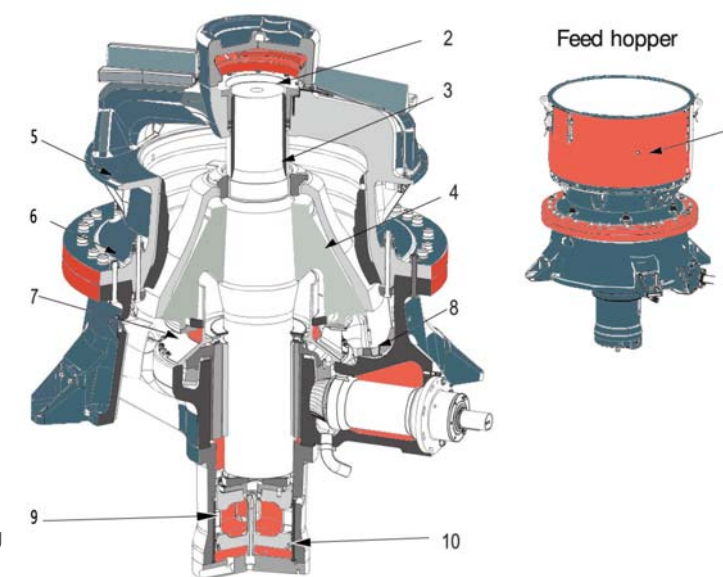
HST系列单缸液压圆锥破碎机工作时，电机通过皮带轮和三角带带动设备传动轴转动，传动轴通过大小锥齿轮带动偏心套转动，动锥通过主轴在偏心套作用下做旋摆运动，使动锥和定锥时而靠近、时而远离轧臼壁，物料在轧臼壁和破碎机之间的破碎腔内不断受到挤压、冲击而破碎，破碎的物料从下部排出。

Working principle

HST series single cylinder hydraulic cone crushing machine, drive the gear shaft to rotate by the motor through a belt pulley and a triangular, drives the eccentric sleeve to rotate by driving shaft through big and small bevel gear, movable cone make pendulum motion through main shaft under the action of the eccentric sleeve. rotating the moving cone and the fixed cone sometimes close, sometimes far away from the concave, material is subjected to extrusion, impact and broken in the chamber between concave and mantle continuously, crushed material discharge from the bottom of the machine.

结构示意图 Structural Drawing

- 1 - 进料斗 Feed hopper
- 2 - 锁紧螺母 Locking screw
- 3 - 头部螺母 Head nut
- 4 - 衬垫 Liners
- 5 - 主机架 Main frame
- 6 - 支撑环 Support ring
- 7 - 防尘密封 Dust sealing
- 8 - 底部耐磨壳 Bottom shell wearing
- 9 - 立式止推轴承组 Step bearing set
- 10 - 液压缸 Hydraulic

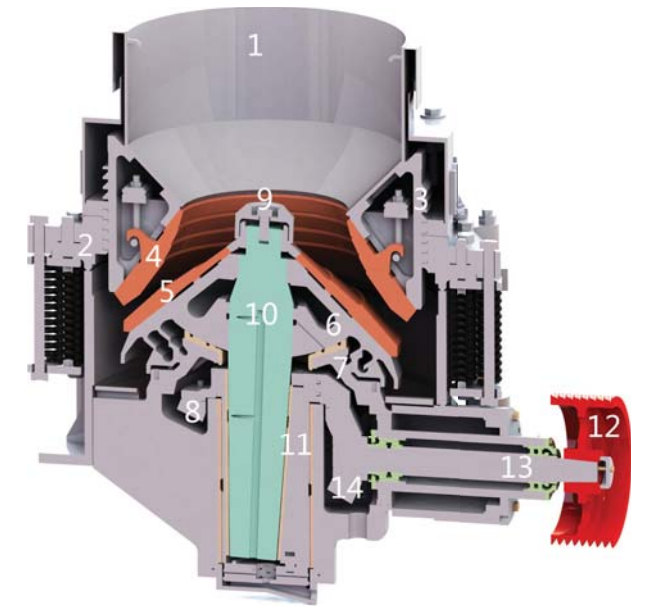


型号Model	腔型 chamber style	最大进料尺寸(mm) Max feeding	最小排料口尺寸 (mm) Discharge opening	处理能力 (t/h) Capacity	最大装机功率(kW) Power
HST100	S1(超粗Super coarse)	240	22	85-170	90
	S2(中粗Middle coarse)	200	19	70-130	
	H1(细 Fine)	135	10	45-130	
	H2(中细Middle fine)	65	8	35-80	
	H3(超细Super fine)	38	4	27-60	
HST160	S1(超粗Super coarse)	360	25	120-345	160
	S2(中粗Middle coarse)	300	22	105-305	
	S3(粗coarse)	235	19	90-275	
	H1(细Fine)	185	13	66-210	
	H2(中细Middle fine)	90	10	65-165	
	H3(超细Super coarse)	50	6	48-105	
HST250	S1(超粗Super coarse)	450	35	255-605	250
	S2(中粗Middle coarse)	400	29	215-515	
	S3(粗coarse)	300	25	190-490	
	H1(细Fine)	215	16	110-395	
	H2(中细Middle fine)	110	13	115-340	
HST315	S1(超粗Super coarse)	560	41	335-1050	315
	S2(中粗Middle coarse)	500	38	305-895	
	H1(细 Fine)	275	16	170-665	
	H2(中细Middle fine)	135	16	190-505	
HST520	H3(超细Super fine)	65	13	205-320	520
	H1(细Fine)	300	22	430-1515	
	H2(中细Middle fine)	155	19	380-1375	
HST750	H3(超细Super fine)	80	10	270-775	750
	H1(细Fine)	370	25	460-2130	
	H2(中细Middle fine)	195	22	525-1605	
	H3(超细Super fine)	85	10	350-885	



结构示意图 Structural Drawing

- 1、料斗 Hopper
- 2、调整螺套 Adjusted Bush
- 3、机壳 Frame
- 4、轧臼壁 Concave
- 5、破碎壁 Mantle
- 6、动锥体 Movable Cone
- 7、球瓦座 Spherical Tile Seat
- 8、大锥齿轮 Big Bevel Gear
- 9、分料盘 Distributor
- 10、主轴 Main Shaft
- 11、偏心套 Eccentric Cover
- 12、大皮带轮 Big Pulley Belt
- 13、传动轴 Counter Shaft
- 14、小锥齿轮 Small Bevel Gear



07 JY Cone crusher series

JY 圆锥破碎机系列

专利号 Patent No. (ZL201120554401.3)

产品优势和特点 Advantages and characteristics

- 操作和维护简单方便,易损件均采用高强度耐磨材质,使用寿命长。
- 成品粒度均匀,减少了循环负荷,中、大规格破碎机中,采用液压清腔系统。
- 配有过载保护装置,可使异物、铁块通过破碎腔而不危害破碎机。
- Operation and maintenance is simple and convenient, wearable parts are high strength wear-resistant material and longer usage life.
- The design is used for hydraulic cleaning cavity system. production size is average. It reduced the load of cycl.
- The overload protection device. It allows foreign matter and iron go through the crushing chamber without damage crusher.

产品介绍 Product introduction

JY系列圆锥破,采用国外的选进技术和工艺,结构设计新颖合理,破碎效率高。可广泛应用在冶金工业、建材工业、筑路工业、化学工业与硅酸盐工业中。JY 系列圆锥破有三种腔型:粗碎型(C),中碎型(M)和细碎型(F),用户可根据需要,选择不同的腔型,以达到理想的破碎效果。

JY cone crusher series adopt the foreign advanced technology, reasonable structure, novel design, high crushing efficiency. It is widely used in metallurgical, building materials, road building, chemical and silicate industry. JY cone crusher series have three cavity-types: coarse-crushing type (C), medium-crushing type (M) and fine crushing type (F), user can choose different cavity-type according to specific request.

规格 Model	腔型 Chamber	最大给料尺寸 Max feed size (mm)	最小排料口尺寸 Min discharge opening (mm)	电机功率 Power (kw)	破碎产量Capacity(t/h)										重量 Weight (kg)				
					闭边排料口Close discharge size(mm)														
					6	10	13	16	19	22	25	38	51	64					
JY1160 (46°)	C	180	13	110-132				115	135	150	180	200	260			15500			
	M	130	10	110-132	100	110	120	135	165	175						15500			
	F	90	10	110-132	80	105	110	140								15500			
JY1300 (50°)	C	200	16	132-160				150	180	200	230	310	390			22300			
	M	150	13	132-160				115	140	160	190	210				22300			
	F	102	10	132-160	90	115	145	160								22300			
JY1380 (54°)	C	215	19	185-220				200	220	260	350	440				26300			
	M	160	16	185-200				155	180	200	220					26300			
	F	115	13	185-200				150	190	210	230					26300			
JY1500 (62°)	C	235	22	185-200						265	310	420	525	580		37750			
	M	175	19	185-220					215	240	265	320				37750			
	F	130	13	185~220					180	210	235	255	275			37750			
JY1680 (66°)	C	267	22	250-300						330	390	525	655	725		44300			
	M	203	16	250-300					230	270	300	330				44300			
	F	140	13	250-300	185	225	265	340								44300			

08 Jaw crusher series 颞式破碎机系列

PE颞式破碎机 PE Jaw crusher

产品优势和特点 Advantages and characteristics

- 短肘板、低悬挂、大摆角、处理能力大 • 操作简单、维修方便、使用寿命长
- Short toggle • Low hanging • Big swing angle • Long service time • Easy maintenance

本系列产品,用于抗压力强度不超过320兆帕的各种碎性物料的粗破碎作业。具有破碎比大、产品粒度均匀、结构牢固、工作稳定、维修方便、运行费用低等特点。已广泛应用于矿山、建筑、冶炼、公路、铁路、水利等部门。是成套破碎生产线中初级破碎的首选设备。

This product series is used in primary crushing of material. It processes various kinds of material with crushing compression strength not more than 320mp. It performance, large capacity, even producing granularity, convenient maintenance and economical running expense. It has been widely applied in area of mining, construction material, smelting, railway, high grade road surface, water conservancy, etc. It is preferred equipment for the complete set of product line as the first step crusher.



技术参数 technical parameters

型号Model	进料口尺寸Size of feed mouth(mm)	最大进料Max feeder size(mm)	排料范围Output size(mm)	处理量Capacity(t/h)	功率Power(kw)	外形尺寸Overall dimensions(mm)
PE-500*750	500*750	425	50-100	45-100	55	1890*1940*1870
PE-600*900	600*900	500	65-160	70-120	55	2395*1843*2230
PE-750-1060	750-1060	630	80-140	130-260	110	2275*2426*2840
PE-800*1060	800*1060	640	100-200	150-300	110	2500*2472*2840
PE-870*1060	870*1060	670	200-260	230-360	110/132	2810*2430*2800
PE-900*1200	900*1200	750	95-165	200-380	110/132	3335*3182*3430
PE-1000*1200	1000*1200	850	195-265	230-400	110/132	3435*3182*3430
PE-1200*1500	1200*1500	1020	150-300	400-800	160/220	4200*3732*4620
PE-1500*1800	1500*1800	1200	220~350	450-1000	355	5100*4700*4300
PE-250*1000	250*1000	210	25-60	16-52	30	1600*2000*1500
PE-250*1200	250*1200	210	25-60	20-60	37	1900*2200*1500
PE-300*1300	300*1300	260	30-90	30-70	55	1800*2300*1700

www.china-shjy.com

专注于绿色节能机械的创新与制造,使客户和企业持续提升利润,只为社会净化环境!

JYCX欧版颞式破碎机

JYCX European Jaw crusher

专利号 Patent No. (ZL201020661578.9)

产品优势和特点 Advantages and characteristics

1. 机架由优质钢板焊接而成,更高的强度及疲劳寿命;
2. 鄂头采用先进工艺铸造而成,强度更高性能更稳定。
3. 主轴由优质钢锻打而成,调质处理屈服强度,抗拉强度更高。
4. 采用大离心和大倾角的肘板设计,破碎腔底部有效冲程更大。
5. 大范围的排料口设计;液压调整排料口,更便捷,更稳定。
6. 与普通鄂破相比,PEV鄂破基础简单,安装更为便捷,实用。



1. The frame is made of high quality steel plate, which has higher strength and fatigue life compared with ordinary steel plate. After welding, the frame is annealed to avoid stress concentration.
2. Jaw head is made of advanced technology, which has higher strength and more stable performance.
3. Main shaft is made of high quality steel, through forging. the yield strength and tensile strength are higher, the performance is more stable, and the service life is longer.
4. Toggle plate is designed by large centrifugal and large angle. It makes the crushing chamber at the bottom of larger stroke.
5. Discharging area is large. The small discharging can produce fine granularity products, the large discharging can produce larger products; hydraulic adjusting the discharge, more convenient and stable.
6. Compared with ordinary jaw crusher, PEV crusher's foundation is simple, installation is more convenient and practical.

结构示意图 Structural Drawing

- 1、飞轮Flywheel
- 2、上边护板Upper Lining Plate
- 3、动颞Movable jaw
- 4、活动颞板Movable Jaw Plate
- 5、固定颞板Fixed Jaw Plate
- 6、机架Frame
- 7、下边护板Lower Lining Plate
- 8、偏心轴Eccentric Shaft
- 9、电机Motor
- 10、电机座Motor Bracket
- 11、调整座Adjustment Device
- 12、弹簧Spring
- 13、肘板Toggle Plate
- 14、拉杆Tension Rod



技术参数 technical parameters

型号Model	进料口尺寸Size of feed mouth(mm)	最大进料Max feeder size(mm)	排料范围Output size(mm)	处理量Capacity(t/h)	功率Power(kw)	外形尺寸Overall dimensions(mm)
JYCX80	520*800	420	60-150	80-290	75	2650*1540*1780
JYCX100	760*1100	630	70-175	130-420	110	3700*2440*2520
JYCX110	850*1100	720	80-200	160-550	160	3800*2450*2550
JYCX125	900*1250	750	90-280	200-680	160	4450*2310*3410
JYCX145	1100*1450	920	125-275	320-950	200	4400*3060*3210
JYCX160	1200*1600	1020	150-300	410-1150	250	5700*3650*3550
JYCX200	1500*2000	1200	170-300	610-1510	400	6500*3990*4260

09 Gyrotory crusher 旋回式破碎机

产品介绍 Product introduction

本产品是利用破碎锥在壳体锥腔中的旋回运动，对物料产生挤压、劈裂和弯曲作用，粗碎各种硬度的矿石或岩石的大型破碎机械。装有破碎锥的主轴的上端支承在横梁中部的衬套内，其下端则置于轴套的偏心孔中。轴套转动时，破碎锥绕机器中心线作偏心旋回运动它的破碎动作是连续进行的，故工作效率高于颚式破碎机。到70年代初期，大型旋回破碎机每小时已能处理物料5000吨，最大给料直径可达2000毫米

It is a large-scale crushing machine that crushes various hardness ores or rocks by using the cyclic movement of crushing cone in the cone cavity of the shell to produce extrusion, splitting and bending effects on materials. The upper end of the spindle with broken cone is supported in the bushing in the middle of the cross beam, and the lower end is placed in the eccentric hole of the bush. When the axle sleeve rotates, the crushing cone moves eccentrically around the center line of the machine. Its crushing action is continuous, so its working efficiency is higher than the jaw crusher. By the early 1970s, the large-scale gyrotory crusher had been able to handle 5,000 tons of materials per hour, with a maximum feed diameter of 2,000 mm.

旋回式破碎机用两种方式实现排料口的调整和过载保险：一是采用机械方式，其主轴上端有调整螺母，旋转调整螺帽，破碎锥即可下降或上升，使排料口随之变大或变小，超载时，靠切断传动皮带轮上的保险销以实现保险；第二种是采用液压方式的液压旋回破碎机，其主轴坐落在液压缸内的柱塞上，改变柱塞下的液压油体积就可以改变破碎锥的上下位置，从而改变排料口的大小。超载时，主轴向下的压力增大，迫使柱塞下的液压油进入液压传动系统中的蓄能器，使破碎锥随之下降以增大排料口，排出随物料进入破碎腔的非破碎物(铁器、木块等)以实现保险。

Gyrotory crusher realizes the adjustment of discharge port and overload insurance in two ways. First, it adopts mechanical mode, with adjusting nut at the end of its spindle and rotating adjusting nut, the breaking cone can drop or rise, so that the discharge port will become larger or smaller. When overloading, it realizes the insurance by cutting the safety pin on the driving pulley. Second, the hydraulic gyrotory crusher. The spindle is located on the plunger in the hydraulic cylinder. Changing the volume of hydraulic oil under the plunger can change the upper and lower position of the crushing cone, thus changing the size of the discharge port. When overloading, the pressure under the main axis increases, forcing the hydraulic oil under the plunger into the accumulator of the hydraulic transmission system, so that the crushing cone decreases to increase the discharge port, and discharges the non-crushing materials (iron, wood, etc.) which enter the crushing chamber with the material, so as to realize the insurance.



产品优势和特点 Advantages and characteristics

- 1、破碎腔深度大，工作连续，生产能力高，单位电耗低。它与给矿口宽度相同的颚式破碎机相比，生产能力比后者要高一倍以上，而每吨矿石的电耗则比颚式破碎机低50%-80%。
- 2、工作平稳，震动较轻，机设备的基础质量较小。旋回破碎机的基础质量；通常为机器设备质量的2-3倍，而颚式破碎机的基础质量则为机器本身质量的5-10倍。
- 3、可以挤满给矿，大型旋回破碎机可以直接给入原矿石，无需增设矿仓和给矿机。
- 4、旋回破碎机易于启动，不需要飞轮等辅助工具，现在先进的大型旋回破碎机已经可以实现满仓带载启动。
- 5、旋回破碎机生成的片状产品较颚式破碎机要少。
- 6、初期成本高，但从长远周期上来看，整体效益较颚式破碎机更高。

1. The gyrotory crusher has large depth crushing chamber, continuous operation, high production capacity and low unit power consumption. Compared with the jaw crusher with the same width of feeding mouth, its production capacity is more than twice of the latter, and the power consumption for per ton of ore is 50% - 80% lower than the jaw crusher.
2. It works smoothly, vibrates lightly and the basic quality of machinery and equipment is small. The basic quality of the gyrotory crusher is usually 2-3 times of the machine and equipment, while the basic quality of the jaw crusher is 5-10 times of the machine itself.
3. It can be filled with ore feeding. Large-scale gyrotory crusher can feed raw ore directly without adding ore bin and feeder.
4. Gyrotory crusher is easy to start and does not need auxiliary tools such as flywheels. Now the advanced large-scale gyrotory crusher has been able to start with full load.
5. The sheet products which produced by gyrotory crusher is fewer than jaw crusher.
6. The initial cost is high, but the overall benefit is higher than the jaw crusher in the long run.

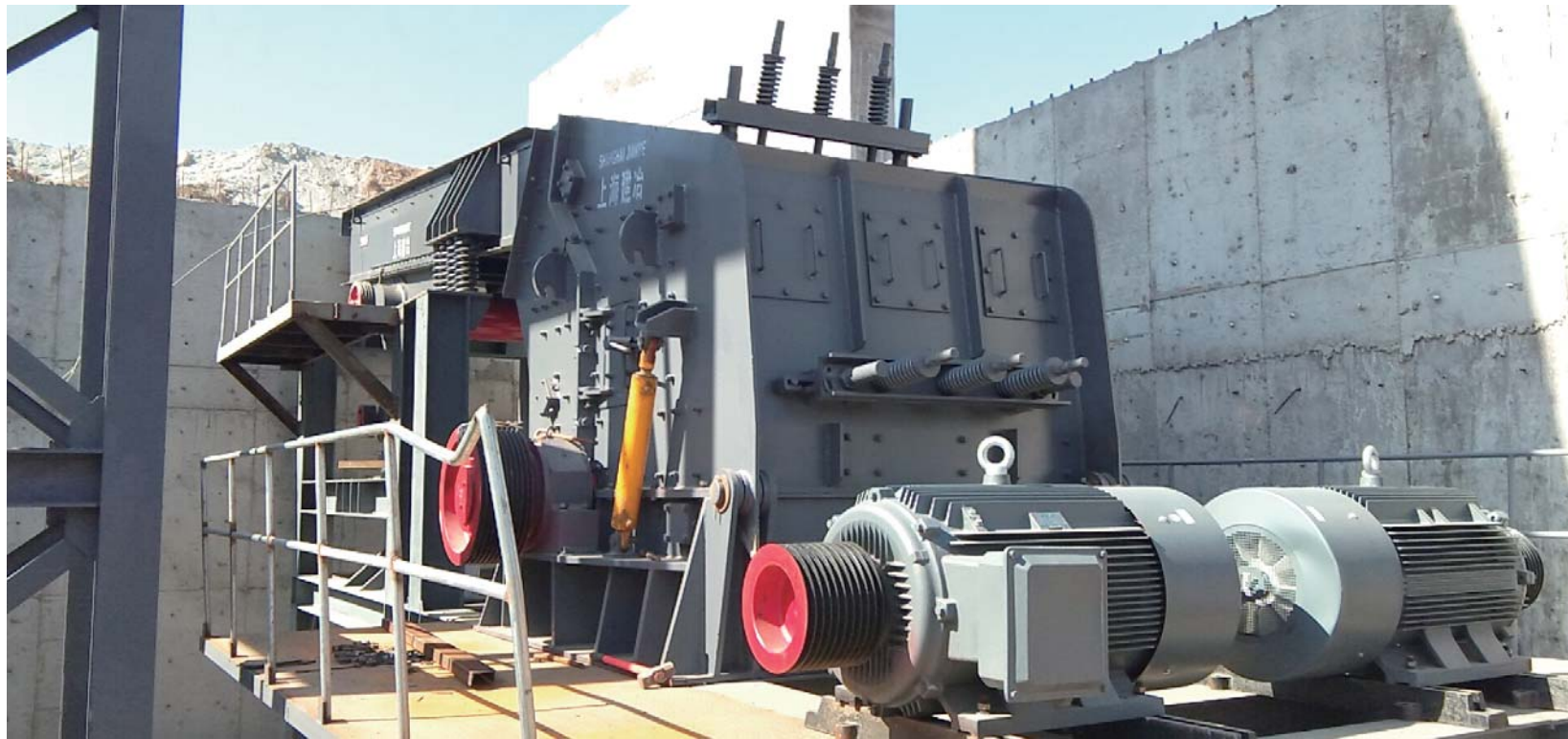
结构示意图 Structural Drawing



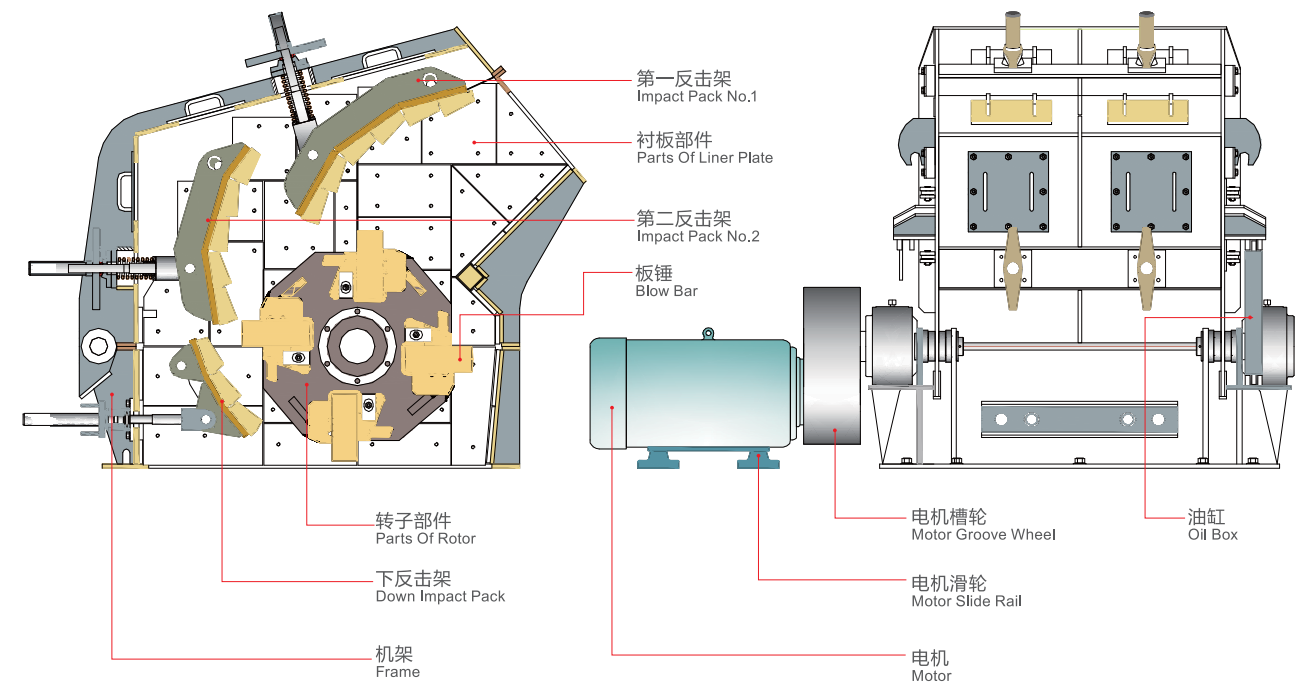
技术参数 technical parameters

型号Model	进料口尺寸 Size of feed mouth(mm)	最大进料 Max feeder size(mm)	排料范围 Output size(mm)	动锥底部直径 Bottom diameter of moving cone	处理量 Capacity(t/ h)	功率 Power(kw)
JYPX0506	500	420	60-90	1200	140-250	155
JYPX710	700	580	100-130	1400	310-400	180
JYPX0913	900	750	130-160	1650	600-1000	280
JYPX1216	1200	1000	160-190	2000	1200-1500	400
JYPX1417	1400	1200	170-200	2200	1500-2500	500
JYPX1417A	1400	1200	170-220	2200	2750-3300	560
JYPX6089	1524	1300	178-200	2260	3000-3500	560
JYPX6393	1600	1350	190-215	2360	3700-4500	800

10 Impact crusher series 反击式破碎机系列



结构示意图 Structural Drawing



产品优势和特点 Advantages and characteristics

- 高效节能 ● 结构独特、无缝连接 ● 高铬板锤、独特反击衬板 ● 保养方便，操作简单，运行稳定
- 成品形状呈立方体，无张力裂缝，粒性较好，排料粒度大小可调，简单化破碎流程
- High efficiency saving energy ● Innovative structure seamless connection ● High chromium blow bar, unique impact liner plate ● Adjusten output size, simple crushing flow, Cubical shape products ● Easy maintenance and reliable operation

产品介绍 Product introduction

本系列破碎机能处理粒度不大于120-300毫米，破碎抗压强度不超过320兆帕的矿石、岩石，具有破碎比大、破碎效率高、产品形状呈立方体、可选择性破碎等特点。本系列产品分为采矿、水泥、混凝土工业用三大类，产品适用于供多种抗压强度的矿石使用。

This series of impact crusher are designed for crushing ores and rocks with particle sizes less than 120-300mm and compression strength no more than 320 Mpa. It has a feature of big primary reduction ratio, high efficiency, cubic shape, selectable crushing and etc. It is suitable for crushing different compression strength of rocks and widely used in mining, cement and concrete industries.

PF反击式破碎机技术参数 PF the impactcrusher technical parameters

型号	转子规格直径×长度 (mm)	进料口尺寸(mm)	最大进料边长 (mm)	生产能力(t/h)	功率(kw)	外形尺寸Overall dimensions(mm)
PF-1007	Φ1000×700	400×730	300	35-50	37-55	2400*1560*2600
PF-1010	Φ1040×1000	400×1080	350	50-80	55-75	2440*2250*2650
PF-1210	Φ1250×1050	400×1080	350	60-120	110-132	2700*2340*2900
PF-1214	Φ1250×1400	400×1430	350	80-180	132-160	2700*2690*2890
PF-1315	Φ1300×1500	860×1520	350	120-250	180-260	3100*3280*2670
PF-1515	Φ1550×1500	900×1650	350	200-350	260-280	3400*3500*3280
PF-1520	Φ1500×2000	980×2040	350	300-550	355-400	3550*3700*3280



11 Efficiency compound fine sand making machine

高效制砂机节能复合细碎制砂机

专利号 Patent No. (ZL201020651561.5、ZL201020689531.3、ZL201020689577.5)

产品优势 Advantages

- 专用的稀油润滑循环系统，确保温升在25°C以内；
- 全新的自动化保护装置，为机器提供振动、机油过滤报警装置；
- 新型油质过滤系统，保证轴承及其它传动装置不被意外磨损，增长使用寿命；
- 耐磨材料的优化排列设计，提高使用寿命40%以上，从而降低成本40%以上。
- Special thin oil lubrication systems to ensure the temperature to be within 25°C;
- Innovative automatic protection device to provide the machine with vibrating, oil filtering and warning system;
- New type oil filtering system protects the bearings and other transmission system from unexpected, to prolong the service time;
- With wearable materials prolong the service time of the machine by 40%. So the cost is lowered by more than 40%.

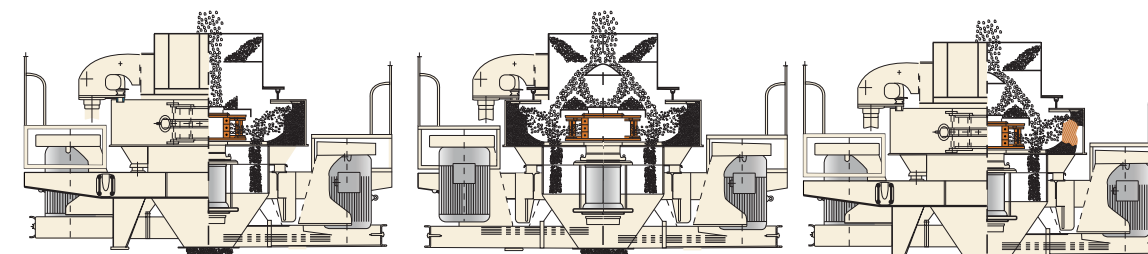
产品简介 Product introduction

可广泛应用于各种矿石、水泥、耐火材料、铝矾土熟料、石英砂、棕刚玉、珍珠岩、铁矿石、玄武岩、金刚砂、玻璃原料等高硬、特硬物料的中、细碎领域。在机制建筑砂、石料以及各种冶金矿渣的破碎中更是得到普遍使用，特别对中硬、特硬物料比其他类型的破碎机更具有优越性，产量功效高。

JYS crusher are widely applied to process all kinds of ores, concrete, fireproof material, bauxite, quartz, basalt, glass, etc. JYS crusher has much advantages than other machines, for medium and high hardness material. It's highly applied in sand-making and other mineral waste residue crushing.

品质升级 破碎效率高 Better quality and high efficiency

- 优异的叶轮设计大大减少了物料通过阻力，提高物料通过量及破碎比，比传统冲击破效率提高30%~60%以上；
- 液压装置，自动启盖，降低人工劳动强度，检修极为方便，从根本上提高了使用效率；
- 机架首次采用热铆新工艺，增强设备的结构强度和韧性，保证设备运转的平稳度，使品质上升到一个全新的层面；
- 采用世界先进的稀油防渗漏装置，免除更换油封的麻烦。
- Excellent speller design reduces the resistance so the passing through quantity of materials and crushing ratio, are increased as 30%~60% compared to traditional machines;
- Hydraulic system allows automatic uncovering, which reduces labour intense and makes maintenance easier;
- The mainframe adopts new techniques, which strengthens the machine structure and tenacity, and ensures stable performance;
- JYS crusher employs world advanced thin oil anti-leakage device. This saves the trouble of changing the oil seal.



中心进料石打石
Center feeding, stone hits stone

中心进料伴随环形瀑落进料石打石
Circular waterfall, stone hits stone

中心进料伴随环形瀑落进料石打铁
Circular waterfall, stone hits iron



JYT系列节能复合细碎制砂机
JYT Series energy-saving composite finely system sand machine

型号 Model	叶轮转速 Impeller speed(r/min)	最大入料粒度 Max feeder size(mm)	功率 Power(kw)	通过量 Capacity(t/h)	外形尺寸Overall dimensions(L/W/H)(mm)
JY6X9026	1200-1500	40	132*2	100-210	4510*2400*2860
JY6X1040	1100-1420	40	200*2	120-300	5570*2520*3120
JY6X1150	1070-1190	50	250*2	180-460	5570*2520*3120
JY6X1263	900-1100	50	315*2	260-700	5700*2950*3490

JYS/T系列高效制砂机技术参数

JYS/T series efficient machine technical parameters of sand

规格型号 Model	叶轮转速 Impeller speed (r/min)	最大入料粒度 Max feeder size (mm)	功率 Power (kw)	通过量 Capacity (t/h)	外形尺寸 Overall dimensions (L/W/H)(mm>)
JYS6020	1460-2100	≤30	60-110	30-100	3600*2150*2800
JYS8623	1380-1810	≤40	150-220	60-180	4520*2580*3300
JYS9928	1200-1580	≤40	180-320	100-280	4720*2700*3460
JYS1238	1100-1360	≤40	220-400	150-420	4980*2970*3680



12 / Roller grading machine 辊式级配机

专利号 Patent No. (ZL201420050482.7)

产品介绍 Product introduction

辊式级配机适用于抗压强度小于300Mpa,水分小于35%的固体物料中的中碎和细碎作业,可广泛用于矿山、热电、水泥陶瓷、冶金、化工、建材等行业,具有使用维修费低、性能可靠、粉尘少、噪音低等特点。辊式级配机配置两个破碎辊,根据用户需要的粒度,辊面分为辊面和堆焊辊面两种形式,若物料的抗压强度超过200Mpa时均可选择加重机型。

Roller type crusher is applicable to the solid material in crushing or medium-crushing process, the material compression strength is less than 300Mpa and moisture less than 35%, it widely used for mining industry, thermal power plant, metallurgy industry, chemical industry, building material and other industries. It has a lot of advantages such as low maintenance fees, reliable performance, less dust pollution, low noise etc. Roller type crusher has two rollers, depends on customer requirement, the surface divided into two parts which are roller surface and welding roller surface, people also can choose heavier model if the material compression is more than 200Mpa.



工作原理 Working principle

辊式级配机是利用两个高强度耐磨合金破碎辊,相对旋转产生的高挤压力来破碎物料,物料进入两辊间隙(V型破碎腔)以后,受到两破碎辊相对旋转的挤压力和剪切力作用,在挤轧、剪切和磨下,将物料破碎成需要的粒度从排料口排出。

Roller type grading machine is working with tow high strength wear-resistant alloy, two rollers is under a relative rotation, and use high pressure extrusion force to crush materials. When material come into the gap (V type crushing cavity), under the extrusion and shearing force from rollers, then after shearing, grinding, bump and discord, the final required size material is discharged from discharge port.

产品优势 Product advantage:

1、平辊面机型适用于进料粒度小于80mm,成品粒度要求0.5-10mm的细碎作业,如利用鹅卵石、建筑垃圾人工制砂;矿业细碎铁矿石、石英石;陶瓷行业破碎原材料;冶金行业破碎焦炭,生石灰;焦化厂细碎煤粉;化工行业破碎各种原料等或者与上述类似的破碎场合。

1. The flat roller type machine applies to feed-size is less than 80mm, final products size requirements of 0.5mm-1.0mm. E.g. Use pebbles and construction waste to make artificial sand; producing fineness size iron ore, quartz stone material; to crush raw material in ceramic industrial; metallurgical industry for crushing coke, limestone; finely pulverized coal in a coke-oven plant; crushing other materials for chemical industries; or can be used similar to the above crushing occasions.

2、堆焊辊面机型适用于进料粒度小于150mm,成品粒度要求3-30mm的中细碎作业。如水泥行业磨机前预破碎水泥熟料、石灰石及复合材料;水煤浆行业入磨前预破碎煤;铁矿行业入磨前预破碎钢渣、铁矿石、硅矿石;制砖厂破碎各种矿石做免烧砖;热电厂破碎电煤;或者与上述类似的破碎场合。

2. Welding roller surface model is applicable to the feeding size under 150mm, medium fine crushing and final product size requirements is between 3mm to 30mm. E.g. Pre crushing limestone and composite material in cement industries; pre crushing coal for a coal water slurry industry; pre crushing of steel slag, iron ore or silicon ore for the iron ore industry; crushing various ores to make baking-free bricks for brick making factory; to crush coal for a thermal power plant; or crushing in a similar crush occasion.

可根据需求选装狼牙齿辊皮(如图1),亦可选装光面辊皮(如图2)。
Regarding to your inquiry, the surface of roller can be changed into tooth type (No.1), or smooth type (No. 2)

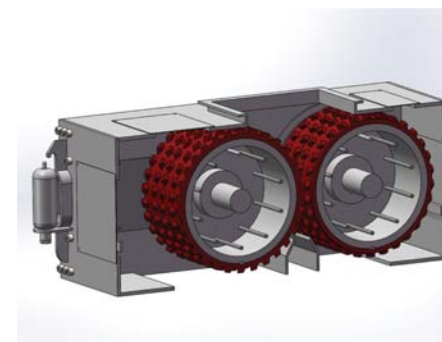


图1

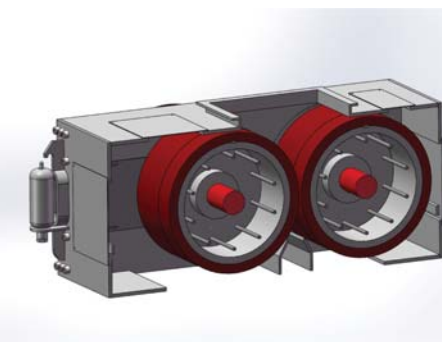


图2

规格型号 Model	进料粒度 Feed size (mm)	出料粒度 Discharge size (mm)	生产能力 Capacity(t/h)	电机功率 Motor power (kw)	加重型电机功率 Extra motor power (kw)	保护方式 Protection mode	传动方式 Driving mode
2PG1012CT(Y)	<400	10-120	50-500	37*2	45*2	弹簧 Mechanical spring	三角带或联轴器 Triangular belt or coupling
2PG1212CT(Y)	<600	10-150	65-600	45*2	55*2		
2PG1612CT(Y)	<800	10-180	80-900	55*2	75*2		
2PG1816CT(Y)	<900	10-200	90-1200	90*2	110*2		
2PG2012CT(Y)	<1100	10-300	150-1500	132*2	160*2		
2PG2018CT(Y)	<1100	10-400	200-2000	160*2	185*2		



Vibrating screen series

13 Vibrating screen series 振动筛系列



产品介绍 Product introduction

圆振筛采用偏心轴激振器及偏心块调节振幅，物料筛淌线长，筛分规格多，具有结构可靠、激振力强、筛分效率高、振动噪声小、坚固耐用、维修方便、使用安全等特点。广泛应用于矿山、建材、交通、能源、化工等行业的产品分级。

This series of product is vibrated by the circling motion, and the amplitude strength can be adjusted. It has a long screening produce line and has several layers. Each kind of size is sieving separately. It has high screening efficiency, and suitable the screening task of mining and sandstones industry.

型号 Model	3YK1230	3YK1237	3YK1548	3YK1848	3YK1860	3YK2160	3YK2460	3YK3070
筛面规格 Sieving specifications (mm)	1200×3000	1200×3700	1500×4800	1800×4800	1800×6000	2100×6000	2400×6000	3000×7000
层数/layer (层)	3	3	3	3	3	3	3	3
筛孔尺寸 Screen hole size (mm)	3-50	6-50	5-80	5-80	5-80	5-50	5-150	5-150
进料粒度 Feeding size (mm)	≤200	≤200	≤400	≤400	≤400	≤400	≤400	≤400
处理量 Capacity (t/h)	12~80	15~120	50~200	50~250	80~320	100~380	150~430	150~650
电机功率 Motor power (kw)	5.5	11	15	18.5	22	30	30	45
振频 Vibration frequency (r/min)	800-970	845	910	970	970	730	730	730
双振幅 Two amplitudes (mm)	8	7.5	8	8	8	8	8	8
筛面倾角 Inclination of sieve surface (°C)	20	20	15	20	20	20	20	20
长/Length (mm)	3122	3557	5243	5000	5994	6230	6420	7500
宽/Wide (mm)	2050	2483	3042	3626	3462	3715	4150	5060
高/High (mm)	2700	2813	3420	3250	3880	4330	4210	4010



14 / Sand washer machine

LSX/XSD 砂石洗选机系列

产品简介 Product introduction

本系列产品专为砂石、石英砂等单位作洗选、分级、脱水而优先设计。其新颖的密封结构，可调式溢流堰板。确保该系列产品高效、耐用。适用于砂石厂、建筑工地、水电大坝、玻璃制造业、油井开发业等用砂单位。

This series product are optimized to design for washing, grading and dehydrating of sandstone, arenaceous quartz, with the novel pressurize structure, debugging overflow notch plate, guarantee high efficiency, longer life, are used to sandstone factory, construction site, hyd-roelectric station dam, glass manufacturing, oil well developing, etc.

轮式洗砂机 Wheel washing sand machine

型号 Model	叶轮规格 Impeller specifications	叶轮转速 Impeller rotary speed	处理能力 Capacity	进料粒度 Feeding size	耗水量 Water consumption	电机功率 Motor power
XSD2610	φ2600×1000	1.178	20-50	≤10	20-60	5.5
XSD2816	φ2800×1600	1.177	30-60	≤10	50-100	11
XSD3016	φ3000×1600	1.179	50-120	≤10	70-120	15
XSD3620	φ3600×2000	1.180	80-150	≤10	80-140	18.5

螺旋洗砂机 Spiral sand washing machine

型号 Model	螺旋数量 Screw number	螺旋直径 Screw diameter (mm)	水槽长度 Tub length (mm)	入选粒度 Stuff size (mm)	处理能力 Processing capacity (t/h)	螺旋转速 Screw speed (r/min)	电机功率 Motor power (kw)	耗水量 Water consumption (t/h)	机器重量 Machine weight (kg)	外形尺寸 Overall dimensions (mm)
LSX-920	1	950	7585	≤10	100	21	11	10-80	6200	8420×2810×3960
2LSX-920	2	920	7585	≤10	200	21	11*2	20-60	11500	8420×3970×3960
LSX-1120	1	1120	9750	≤10	175	17	18.5	20-150	10900	10770×3950×4860
2LSX-1120	2	1120	9750	≤10	350	17	18.5*2	40-300	17800	10770×5260×4860





15 Complete crusher plant 碎石制砂生产线成套设备系列

专利号 Patent No. (ZL201020661475.2)

生产线简介 Brief introduction

本公司生产和供应各种类型的碎石筛分设备,包括粗碎颚破、细碎颚破、立轴冲击破、反击式破碎机、振动喂料机、振动筛、皮带输送机等设备。它们具有结构先进、工作可靠、质量精良、使用方便等特点。深受国内外用户的欢迎。本公司可提供满足不同石场生产所需的各种碎石筛分成套设备,并本着“科技创新、诚信务实”的经营宗旨,为用户提供石场设计、设备指导安装、调试的一条龙服务。本公司生产的碎石筛分成套设备为固定式和移动式两种形式,生产能力从50-500t/h成品粒度可根据用户的不同需要进行组合和分级。石料成套设备生产线加工质量达到GB14685-2001标准;制砂成套设备生产的机制砂达到GB14684-2001标准;

The SHANGHAIJIANYE company manufactures and supplies various of coarse jaw crusher, fine jaw crusher, impact crusher, vibrating feeder, vibrating screen, belt conveyor and etc. They have feature of advanced structure, reliable operation, high quality and ease in use. Combining these machines, the SHANGHAI JIANYE can supply various complete plants to satisfy different quarry operation. It is also capable to provide the quarry design, facilities installation and regulation as a coordinated service process. There are two types of complete sets: fixed, mobile with productive capacity from 50t/h~500t/h. The material sizes of end products can be set and graded with different customer needs. The processing quality of complete stone crushing plants we offer achieves the standard GB14685-2001, while our complete sand making plants reaches the standard GB14684-2001.

www.china-shjy.com

专注于绿色节能机械的创新与制造,使客户和企业持续提升利润,只为社会净化环境!

技术参数 Specification

处理量 Capacity (m ³)	型号 Model	喂料机 Feeder	粗碎颚式 破碎机 Coarse Jawcrusher	喂料机、预筛、分料仓 Feeder Prescreening Bin	细碎颚式破碎机 Fine Jawcrusher	冲击破或圆锥破 Vertical Shaft Impactcrusher	反击式破碎机 Impactcrusher	振动筛 Vibrating Screen	胶带输送机 Belt Conveyor (m)	控电箱 Contc箱	装机容量 Total Power (kw)		
50	I	GZD300*90	PE400*600		PE250*1200		PF1010	3YK1237	90-120	1	90-110		
	II		PE500*750		PE250*1200		PF1210				3YK1548	110-125	
	III											100-120	
	IV											190-210	
80	I	GZD300*90 ZSW380*96	PE500*750		PE250*1200/2		PF1214	3YK1548	120-140	1	170-200		
	II				PE250*1000/2		PCL900B					210-240	
	III										PF1210		230-260
	IV		PE600*900								PF1214		210-240
	V												200-240
100	I	GZD300*90 ZSW380*96	PE600*900				PF1214	3YK1548	130-150	1	250-280		
	II						PF1210					230-260	
	III												230-260
	IV						PE250*1200/2				PCL1250		320-360
120	I	GZD300*90 ZSW380*96	PE600*900		PE300*1300/2			3YK1860	130-150	1	260-290		
	II				PE250*1200/2		PCL1250					260-400	
	III										PF1315		230-270
	IV										PF1210/2		310-350
	V												330-360
160	I	ZSW 490*110	PE750*1060	2YK1548	PE250*1200/3		PYB1200	3YK2160	180-210	1	350-390		
	II				PCL1350							340-500	
	III										PF1214/2		440-480
	IV										PF1315		380-420
	V												430-470
200	I	ZSW 490*110	PE800*1060	分料仓	PE250*1200/2	PCL1350		3YK2460	200-300	1	450-490		
	II						PF1214/2					450-490	
	III						PF1315					390-430	
250	I	ZSW 590*110	PE900*1200	分料仓	PE250*1200/2	PCL1350		3YK2460	220-250	1	450-490		
	II						PCL900B					420-460	
	III						PCL1250						500-550
300	I	ZSW 600*130	PE1000*1200	分料仓	PE250*1200/3	PCL1250	PYB1750	3YK3070	220-270	1	540-600		
	II						PYB1750					500-540	
	III												620-660
	IV										PF1315/2		700-750
	V												660-710
400	I	ZSW 600*130	PE1200*1500	分料仓 GZD300*90	PE300*1300/2	PCL1250	PYB2200	3YK2460	250-300	1	660-710		
	II						PYB1200						800-850
	III										PYB2200		
500	I	ZSW 600*130	PE1200*1500	分料仓 GZD300*90		PCL1250	PYB2200	3YK3070	250-300	1	720-780		
	II						PYB1750					PF1315/2	760-820

16 Mobile crushing station 移动式破碎站

专利号 Patent No. (ZL201420060060.8)

移动性强 Strong mobility

MC系列轮胎移动式破碎站长度短,不同的破碎设备分别安装在独立的可移动底盘上,轴距短,转弯半径小,可以在普通公路上及作业区内灵活行驶。

MC series mobile crushing tires stand has short length. The different crushing equipments were installed in the independent respectively portable chassis with short wheel base and short turning radius. The stand can move on the ordinary highway and working areas flexibly.

降低物料运输成本 Reduce the transportation cost

MC系列移动破碎站可以在现场加工物料,而不必将物料搬离现场再加工,大大地降低了物料运输成本。

MC series mobile crushing stand can process the material in working site and not move the material away from the site to process. It can make a big cost savings of transportation.

组合灵活,适应性强 Flexible combination and adaptable

MC系列轮胎移动式破碎站可根据不同的破碎工艺要求组成“先碎后筛”,也可组成“先筛后碎”流程,破碎站可按实际需求组合成粗碎、细碎两段破碎筛分系统,也可组合成粗碎、中碎、细碎三段破碎筛分系统,还可以独立运行,有很大的灵活性。

MC series mobile crushing tires stand can form a "screen after crushed" work flow according to different technology requirements; it also can form a "crush after screened" work flow. According to the actual demand, the crushing stand can be assembled into coarse crushing and fine crushing system with screen and also can be combination of coarse crushing, medium and fine crushing system with screen. The crushing still can be operated independently and very flexible.

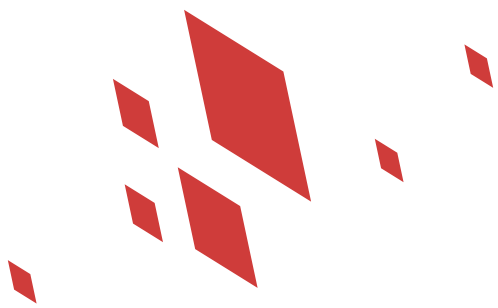
性能可靠,维修方便 Reliable performance and maintenance easy

建冶公司破碎筛分系列产品如颚式破碎机、反击式破碎机、立式冲击破碎机、圆锥破碎机、各种振动筛等以性能优良、可靠性高而著称,移动式破碎站主要设备都是采用这些产品,这些产品经过优化及强化设计,强度更高、性能更优、结构更紧凑。

It is famous for good performance and reliability of crushing and screening machine from Shanghai Jianye company, such as jaw crusher, impact crusher, vertical shaft impact crusher, cone crusher, vibrating screen and etc. These products are used in the mobile crushing stand as main equipments. After optimization and strengthening design, they have higher strength, better performance and more compact structure.



移动式破碎站 Mobile crushing plant	给料机 Vibrating feeder	鄂破 Jaw crusher	皮带机 Belt conveyor	加长皮带机 Extended belt conveyor	发电机 generator	处理量 (t/h) capacity	功率 (kw) power
YG938E69	ZSW-960X380	PE600X900	B650X7M	选配 option	选配 option	70-150	91.5KW
YG1142E710	ZSW1100X4200	PE750X1060	B800X9M	选配 option	选配 option	80-200	134KW
YG1349E912	ZSW-1300X4900	PE900X1200	B1000X11M	选配 option	选配 option	150-300	146KW



移动破碎站 Mobile crushing plant	振动筛 Vibrating screen	反击破 Impact crusher	筛下皮带机 belt conveyor for screen	处理量 (t/h) capacity	功率 (kw) power
Y3S1548F1010	3YZS1548	PBF1010	B500X7M	30-275	70-90
Y3S1848F1210	3YZS1848	PBF1210	B650X7M	56-330	128.5-150.5
Y3S1860F1214	3YZS1860	PBF1214	B650X8M	65-586	154-190
Y3S2160F1315	3YZS2160	PBF1315	B800X8M	81-720	210-297

移动破碎站 Mobile crushing plant	振动筛 Vibrating screen	圆锥破 Cone crusher	筛下皮带机 belt conveyor for screen	处理量 (t/h) capacity	功率 (kw) power
Y3S1548Y55	YZS1548	PYB900	B500X7M	50-90	75
Y3S1848Y90	YZS1848	917	B650X7M	65-130	99-134
Y3S1860Y1300	YZS1860	1300	B650X8M	110-455	212.5-220.5
Y3S2160Y1380	YZS2160	1380	B800X8M	140-330	257.5-264.5

17 Belt conveyor series 皮带输送机系列

产品简介 Product introduction

本公司生产的皮带输送机具有输送量大、结构简单、维修方便、部件标准化等优点。它广泛的应用在矿山、冶金、煤炭等部门，用来输送松散物料或成件物品。根据输送工艺要求，可以单台输送也可多台组合或与其他输送设备组成水平或倾斜的输送系统以满足不同布置形式的作业线需要。

The Jianye belt conveyor series has a feature of large capacity, simplified construction, easy maintenance, standardized components. It is widely used in mining, metallurgy industry feeding the relax material and member goods, according to the request of transport technology. It can be used in single, multiple or combined with other equipments to form horizontal or incline transportation system to satisfy different production line arrangement needs.

皮带输送机技术参数 Belt conveyor technology parameters

胶带宽度 Tape width (mm)	输送长度/功率 Conveying length / power (m)/(Kw)		输送速度 Transportation speed (m/s)	输送量 Throughput (t/h)	
400	≤12/ 1.5	12~20/2.2	20~25/3	0.8~2.0	40~80
500	≤12/3	12~20/4	20~30/5.5	0.8~2.0	78~191
650	≤12/4	12~20/5.5	20~30/7.5	0.8~2.0	131~323
800	≤6/3	6~15/5.5	15~25/7.5	1.0~2.0	278~546
1000	≤10/ 5.5	10~20/7.5	20~25/11	1.0~2.0	435~853
1200	≤10/ 7.5	10~20/11	20~25/15	1.0~2.0	655~1284



18 Vibrating feeder series 振动喂料机系列



产品简介 Product introduction

本机在生产流程中，可把块状、颗粒状物料从贮料仓中均匀、定时、连续地给到受料装置中去，在砂石生产线中可为破碎机连续均匀地喂料，并对物料进行粗筛分，广泛应用于冶金、煤矿、选矿、建材、化工、磨粉等行业的破碎、筛分联合设备中。

This series of product is disposed in front of primary breaker, at the same time it will continuously convey big block of material, remove off the dirt and impurity. To control the feeding quantity and subsequent breaking, match the processing capacity of screening production line, and make the series to be necessary equipment for ensuring the quality and quantity in breaking and screening production line.

型号 Model	料槽尺寸 Material slot size (mm*mm)	进料 Feeding size (mm)	处理能力 Capacity (t/h)	转速 Rev (r/min)	电机功率 Motor power (kw)	倾角 Dip Angle (°)	重量 Weight (kg)	外型尺寸 Overall dimensions (mm*mm*mm)
GZD180*80	1800*800	300	30-80	350-800	2*1.5	0-10	800	2200*1100*800
GZD300*90	3000*900	500	40-150	350-970	2*2.2	0-10	1500	3050*1430*1550
GZD370*100	3700*1050	700	150-300	350-970	2*3.2	0-10	3640	4250*1874*1130
GZD430*120	4300*1200	800	200-400	350-1000	2*5.5	0-10	4200	4955*2206*1120
ZSW380*96	3800*960	500	100-210	350-800	11	-	4210	3882*1684*1340
ZSW490*60	4900*960	500	120-200	350-800	15	-	5004	4957*1677*1365
ZSW360*110	3600*1100	500	100-160	350-800	11	-	4321	3700*1805*1195
ZSW490*110	4900*1100	580	120-280	350-800	15	-	5410	4957*1841*1365
ZSW590*110	5900*1100	600	200-350	350-800	22	-	6065	6000*1841*1365
ZSW600*130	6000*1300	750	400-560	350-800	22	-	7800	6100*2050*1365
ZSW600*150	6000*1500	800	600-1000	350-800	37	-	8639	6100*2164*1500

Typical Cases 客户现场



Typical Cases 客户现场



Production Bases 生产基地



After Service Faith 售后服务理念

生产线简介 Production line profile

公司不仅有性能可靠的产品和经验丰富的售后服务队伍，而且紧跟潮流，将互联网技术应用到公司生产经营的各个环节中，积极开展互联网营销，及时向您提供公司的最新产品信息和技术服务。相信您需要的不仅仅是一个产品，更需要一个全面的售后服务。建冶人不仅重视产品技术和质量，更愿意用心为客户提供称心、省心、放心、无忧的服务。

Our company has reliable products and experienced service team. Let the internet technology apply to every tache of Pro-duct and operation. sale by internate actively, provide the latest product information and technical service. We believyou-not only need a product, but also good after service. Based on the technoly and quality products, we would provide the gratified, save worry, disburden Service for our customers.

售前 Pre-sale

- (1)根据客户的需要，指导客户配置最为适用的设备型号。
- (2)提供设备清单、设备布局图、土建基础图、设备安装图等有关技术资料供参考。
- (3)可以根据客户的特殊要求，设计制造产品。
- (4)免费派工程技术人员到用户现场指导用户规划场地、设计最佳安装流程和方案供参考。

1. Guide our customers to deploy the most useful equipment item according to theirs requirymnet.
2. Provide technical date, including equipment bill, layout, base specification and installation picture to consult.
3. Design and manufacture product according to the customers'special requestment.
4. Dispatch the technical person to reach the locale to layout field, design the best installtion flow and scheme to consult for free.

售中 Sale

- (1)严格按照有关技术标准生产。
- (2)按设备试机有关规定试机。
- (3)产品出厂前的严格检验。
- (4)依照合同及时组织发货。

1. Product according to the standard of technology strictly.
2. Experiment the machine by the operating regulate.
3. Verify the product before leaving factory strictly.
4. Organize shipping by the contract in time.

售后 After-sales

- 1)免费指派专门的售后服务人员，到达现场指导客户安装调试，试运行，现场培训操作人员。
- 2)设备实行三包，保修期一年(正常磨损、易损件及操作不当造成的部件损坏除外)国内客户在质保期内如设备出现故障，我公司保证在接到用户电话后及时到达现场，排除故障，保障用户的正常生产。

1. Dispatch special worker after service to arrive locale to guide the user to install and debug, experiment circulate, train operating persons for free.
2. Guarantee of repair, replacement and refund of substandard products, the period of guarantee is 1 year(except abrasion in normal, wearing parts, the damaged parts by misoperation) If the equipment appears fault during guarantee, our company woulde to reach the locale after take the user's telephone, remove the fault, ensure the user's produce innormal.



Enterprise Honors 企业荣誉



We believe in 我们信奉

优质的产品加上完善的服务才能帮您实现既定目标。
您的成功就是我们的成功，愿我们的合作双赢，共同发展。
Excellence quality product and perfect service can help you achieve preconcerted aim.
Your succeed is ours, hope cooperate profitly and develop each other.