



Powerful, efficient diesel engine with long-lasting durability and low maintenance cost.
配备的是大功率、高效率的柴油发动机，具备长久耐用和低维护成本的特点。



Sturdy build ensures lasting durability; wide tracks deliver great stability, and an adjustable tensioning system reduces wear, prolonging the lifespan.
坚固耐用，宽阔的履带接地面积提供卓越的稳定性，张紧系统设计灵活，可根据实际工况调整，减少磨损，提高使用寿命。



Spacious, comfortable with premium shock absorption, effectively reducing operator fatigue.
宽敞舒适，具备高级减震系统，有效减轻操作员的疲劳。



Lift actions are powered by an advanced hydraulic system, ensuring quick response and smooth operation.
动臂的升降动作由先进的液压系统驱动，反应敏捷、动作流畅。



Made from high-strength wear-resistant steel, its cutting edges are hardened for enhanced durability, effectively resisting wear from sandstone, soil, and various materials.
采用高强度耐磨钢制造，刃口部分经过硬化处理，显著提升耐磨性能，有效抵抗砂石、泥土等各种物料的磨损。



Rugged structural design and high pressure-carrying capacity.
结构设计坚固耐用，压力承载能力强。

性能参数 Performance Parameters

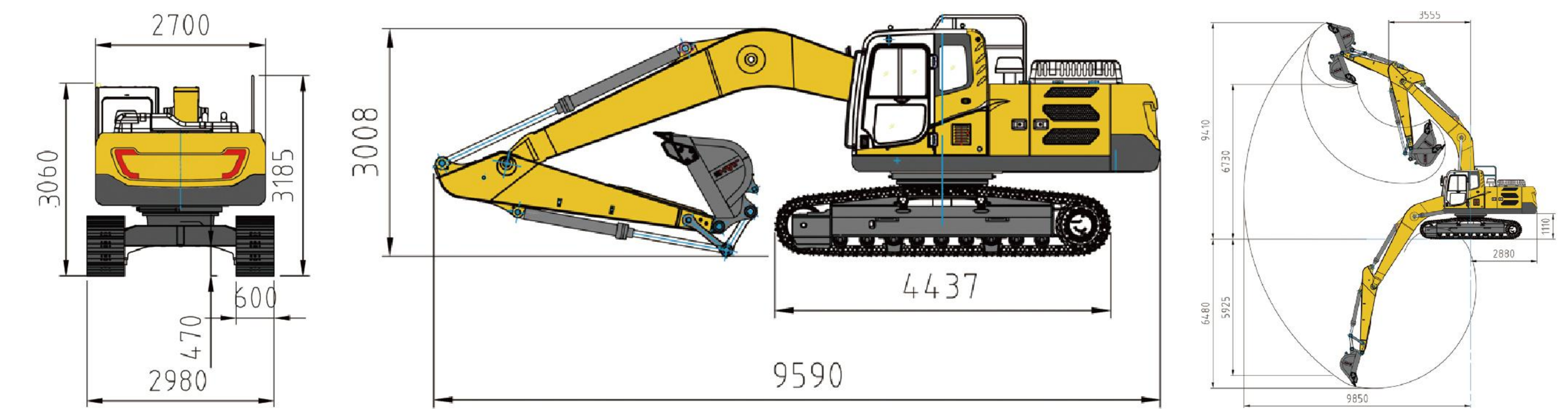
型号	Model	LTE230	
工作重量	Operating Weight	Kg	23000
发动机型号	Engine Model		Cummins QSB7
额定功率	Rated Power	Kw	124KW/2050rpm
挖斗容量	Bucket Capacity	m ³	1.1
回转速度	Swing Speed	rpm	11-13
行走速度	Traveling Speed	km/h	3.8-4.2
爬坡能力	Gradeability	°	30°

外形尺寸 Overall Dimensions

型号	Model	LTE230	
总长度	Overall Length	mm	9565
总宽	Overall Width	mm	2990
总高	Overall Height	mm	3000
履带宽度	Track Width	mm	600
履带高度	Track Height	mm	950

工作范围 Working Range

型号	Model	LTE230	
最大挖掘半径	Max. Digging Radius	mm	9850
最大挖掘深度	Max. Digging Depth	mm	6480
最大挖掘高度	Max. Digging Height	mm	9410
最大卸载高度	Max. Dumping Height	mm	6730
最小回转半径	Min. Swing Radius	mm	3555



With technological innovation our product configuration and parameters will continue to change without notice.
随着技术的革新，我们的产品配置和参数将不断变化，恕不另行通知。