

More Flexible, More Durable



OKW22U



More Flexible, More Durable

The new OKW-22U cab is the largest in its class, providing a better experience for tough jobs and a wealth of standard features that allow you to get more done faster, more profitably, and with more care, while delivering the speed, responsiveness, and power you've come to expect from our products.



Agriculture



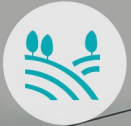
Demolish



Forestry



Engineering



Landscaping



Pipeline



Construction site



Options: • telescopic chassis • cab • Kubota 1105 • air conditioning

OKW22U Product Introduction

More Flexible

Thanks to zero tail swing, even the tightest of spaces can be an efficient place to work, allowing you to rotate 360° with excellent stability and smooth maneuverability with confidence, safety and reliability, reducing collisions with surrounding objects, ideal for working in crowded urban areas and buildings.

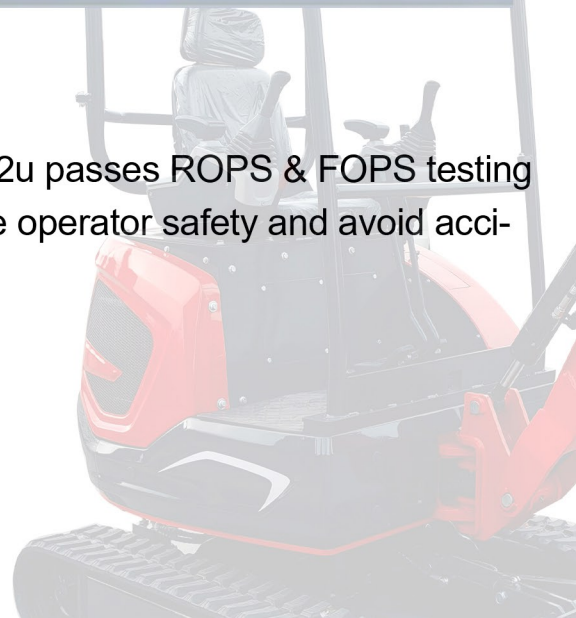


More Robust


We are fully prepared for your usage scenarios. To ensure that you can work smoothly under harsh working conditions, we use sturdy manganese steel and wear-resistant materials for key parts of the excavator, such as buckets, tracks, and pins, in order to improve the excavator's wear-resistance and extend its service life.




The OKW22u passes ROPS & FOPS testing to maximize operator safety and avoid accidents.



OKW22U Product Introduction



Simpler and more intuitive control adjustments

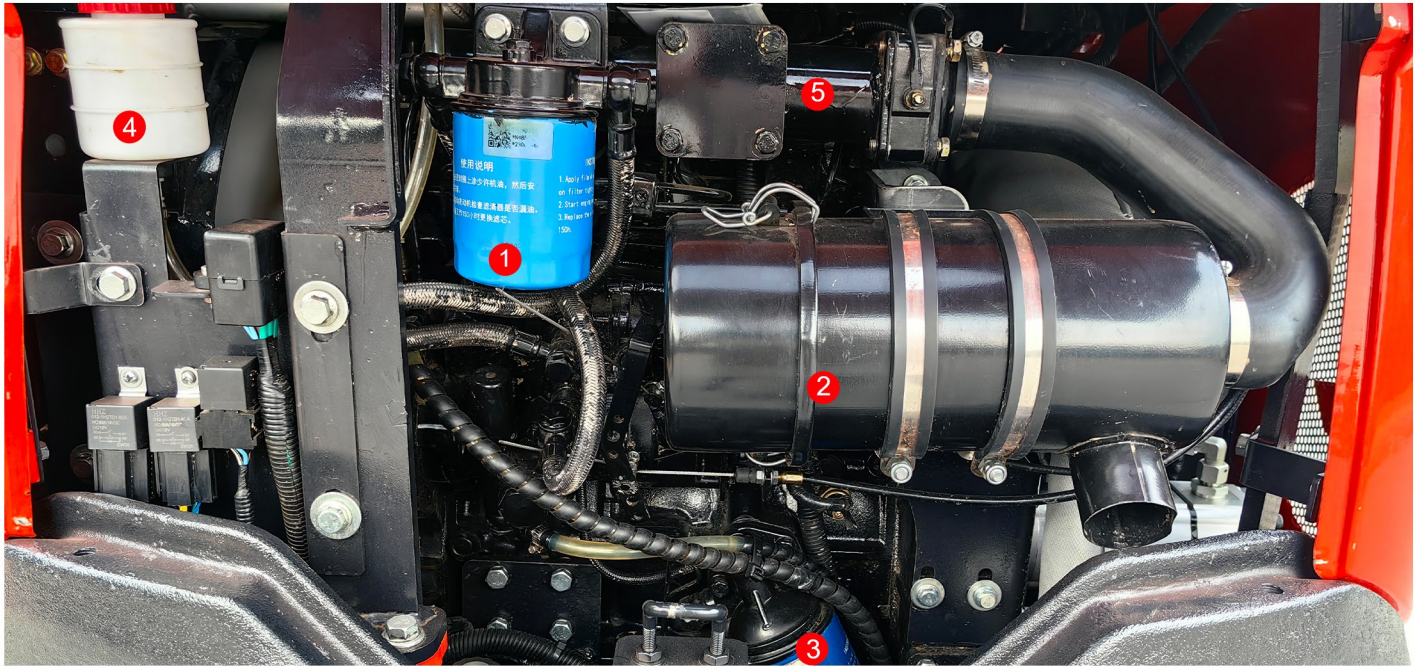


The new OKW-22U mini-excavator is both operator-first and business-friendly, with a highly comfortable and intuitive operating experience, as well as a wealth of standard features to get more done, with a working range of up to 4,163 mm and a maximum digging depth of 2,600 mm, and with fast responsiveness and power.

- + Standard slewing arm for zero tail swing and optimal jobsite access
- + Standard auxiliary hydraulic system (with optional third circuit)
- + Standard more comfortable safety seat (optional enclosed cab)
- + Much smaller footprint for large excavator controls and setups

OKW22U Product Introduction

Easy maintenance



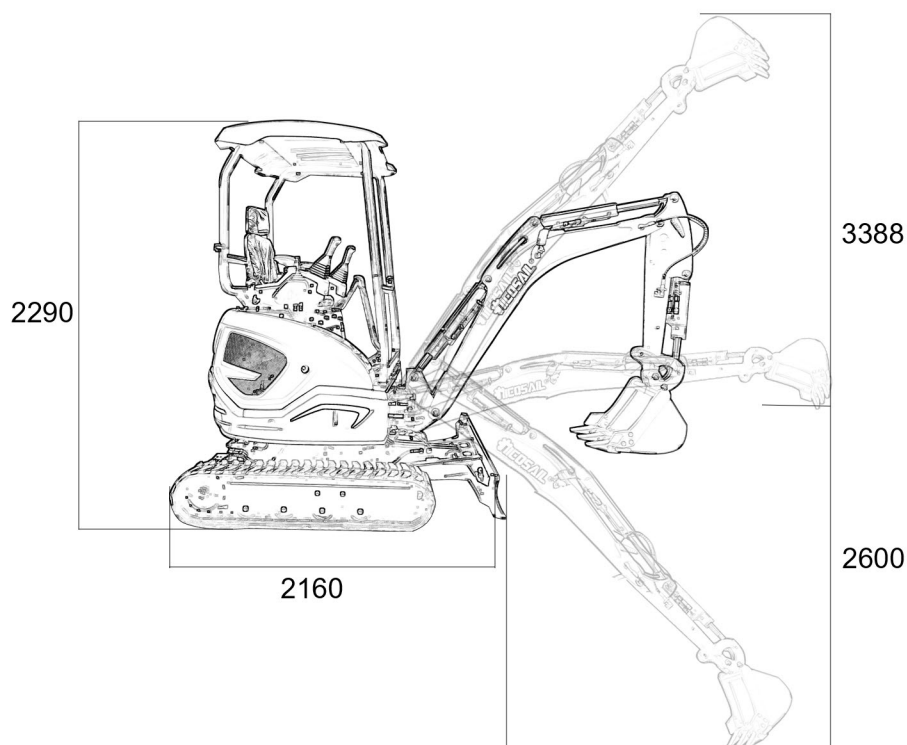
1. Fuel Fine Filter 2. Air Filter Assembly 3. Oil Filter 4. Expansion tank
5. Motor

Maintenance made easy: from the open maintenance point, maintenance takes only a few minutes



Specifications

Project name	Numerical
Model	OKW22U
Total Weight	2000KG
Bucket capacity	0.06m ³
Engine model	KubotaD1105/Changchai 390
Engine power	14.2KW/2200rpm21KW/2200rpm
Full length	2700mm
Full width	1300mm
Full height	2550mm
Hydraulic system pressure	21Mpa
Number of supporting wheels on one side	4 pieces
Distance from ground to hanging wall	534mm
Front and rear wheelbase	1560mm
Left and right track gauge	1200mm
Boom deflection	50° (Left)
Boom deflection	50° (Right)
Tail swing radius	936mm
Minimum ground clearance	230mm
Bucket maximum digging force	18KN
Number of supporting sprockets on one side	1 pieces



Jining Nicosail Machinery Co., Ltd.

Website: [//www.nicosail.com/](http://www.nicosail.com/) Email: Bob<admin@nicosail.com> Address: Jining Nicosail Machinery Co., Ltd.
cn,Room 2004, Block C, Haineng International, Jinyu Road, Jining City, Shandong Province