



# CYLINDER PROVIDER WITH A GLOBAL REACH



Dalian Nurmi Hydraulics Co Ltd.  
49#, DD PORT  
DALIAN ECONOMIC AND TECHNICAL  
DEVEPMENT ZONE  
DALIAN 116600  
P. R. CHINA  
Tel. +86-411-3922-4299  
Fax +86-411-3922-4286  
Web [www.nurmihydraulics.com](http://www.nurmihydraulics.com)  
E-mail [Sales@nurmi.cn](mailto:Sales@nurmi.cn)

大连诺美液压件有限公司  
双D港49号  
大连经济技术开发区  
大连市116600  
中国  
电话+86-411-3922-4299  
传真+86-411-3922-4286  
网址[www.nurmihydraulics.com](http://www.nurmihydraulics.com)  
邮箱[Sales@nurmi.cn](mailto:Sales@nurmi.cn)

*Marine, Industrial and  
Mobile Cylinders*



# THE COMPANY

## 公司简介



### 大连诺美液压件有限公司

是一家致力于定制化液压油缸技术解决方案的制造企业，公司成立于2004年，产品应用领域涵盖船舶、海工、工程机械、矿山、冶金、工业制造、陆地运输等多个行业。  
其原有技术传承于1956年成立的芬兰诺美液压有限公司。

### Dalian Nurmi Hydraulics Co.Ltd.

Nurmi is one of the world's leading manufacturers of hydraulic cylinders for marine & offshore, industrial and mobile applications.  
Original technology from Finland Nurmi Oy, which was founded in 1956. Dalian Nurmi Hydraulics Co.,Ltd was established in 2004, in Dalian, China.

### » 完善的管理系统

大连诺美液压件有限公司具有完善的综合管理系统、产品追溯系统、船级社认可的材料供应商网络。

#### DEVELOPED MANAGEMENT SYSTEM

Dalian Nurmi has developed comprehensive management system, product traceability system, approved material supplier network by classification societies.

### » 质量体系认证

公司在中国和芬兰现有员工近百人，运营基于ISO 9001质量认证系统。传承于北欧的技术水平使公司跻身于国内液压油缸领域前列，每年为客户交付约一万只油缸。

#### INTERNATIONAL STANDARD ORGANIZATION

Our operation is based on ISO 9001 certified quality systems. We employed around 100 professionals in China and Finland.



# LEAN PRODUCTION MANAGEMENT

## 精益生产管理

- Infor-ERP 数字化生产管理系统
  - 数十台数控加工中心
  - 自动焊接机
  - 液压装配、试验平台
  - 液压缸筒内壁镗滚数控机床
- 
- Infor-ERP Digital production management system
  - Dozens of CNC machining equipments
  - Automatic welding equipments
  - Hydraulic assembly platform
  - Roller skiving and burnishing machine



## CYLINDER ENGINEERING

### 液压缸技术积累

不同行业和应用领域的丰富经验。  
 传承于芬兰液压技术，产品迭代升级、本地化，以满足当地材料及生产需求。  
 研发设计软件：Vertex CAD设计和ANSYS力学分析软件。  
 Wide experience in different industries and application areas.  
 Transferred the technology from Finland, And products have been localized to meet local material and workshop practices.  
 Vertex CAD design and ANSYS mechanical analysis software are in used by designers.



## TECHNICAL PROFESSIONAL

### 技术能力

船用、海工、重型机械、一般工业用液压缸的研发、设计及制造  
 In-house design and manufacturing of marine, offshore, industrial and heavy mobile hydraulic cylinders.

产品参数 SPECIFICATION	
活塞杆直径	Piston diameters from 30mm to 700m
行程	Stroke up to 9335mm
使用温度	Temperature range -60℃—+200℃
承压	Pressure up to 560bar
多种表面处理方案	Several choices of surface treatment

根据客户的需求研发、设计、优化液压方案  
 Always pleased to help our customers to improve or optimize cylinders with our experiences.

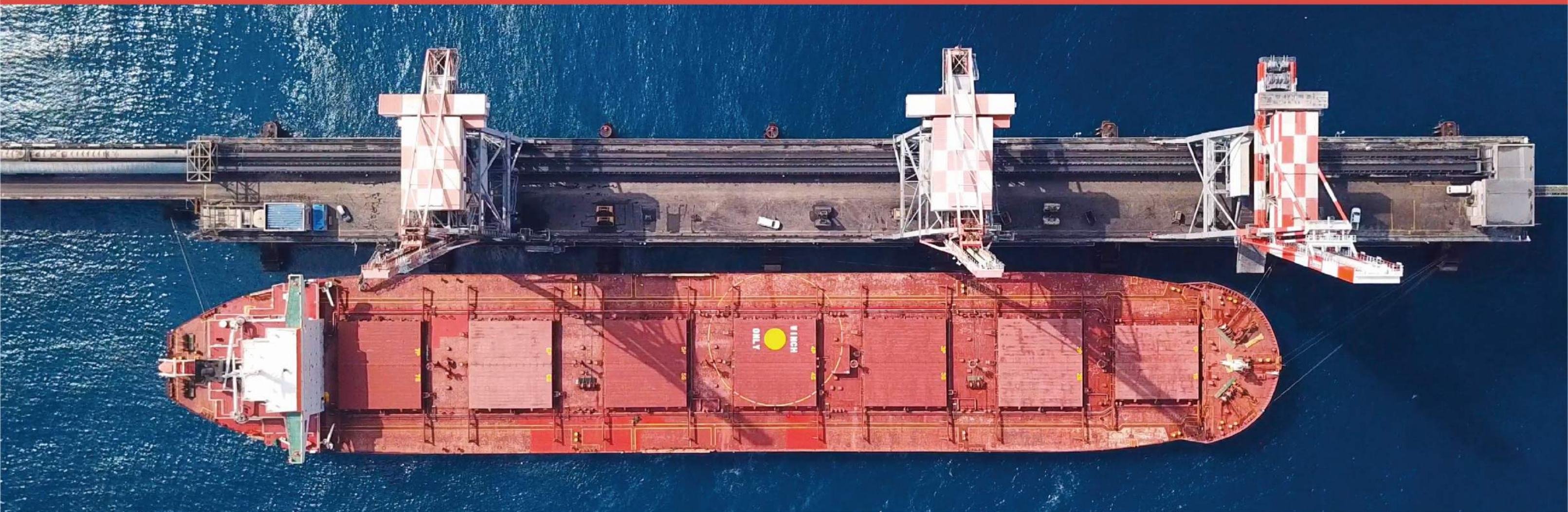


# CYLINDERS FOR MARINE APPLICATIONS

## 船用液压缸应用

大连诺美液压件有限公司是全球领先的船舶液压缸主要供应商之一，公司凭借丰富的生产经验和稳定优良的质量获得了众多船东和船厂客户的广泛认可。

Proven cylinder construction for sea environment  
Management system approved and certified by DNV  
Manufacturing process approved by major classification societies  
Long and proven delivery track record



# CYLINDERS FOR CONSTRUCTION MACHINERY APPLICATIONS

工程机械用液压缸

工程机械用液压缸，针对挖掘机油缸的特殊工况对密封结构、缓冲结构、机械结构和涂层技术进行了大量的研究，为世界顶级工程机械制造商提供高品质的全套挖机油缸。

Cylinders for construction machinery applications, and conducted many researches on the sealing structure, buffer structure, mechanical structure and coating technology for the special working conditions of the excavator cylinders, and provided the world's top construction machinery manufacturers with a complete set of high-quality excavator cylinders.



# CYLINDERS FOR MINING MACHINERY APPLICATIONS

矿山机械用液压缸



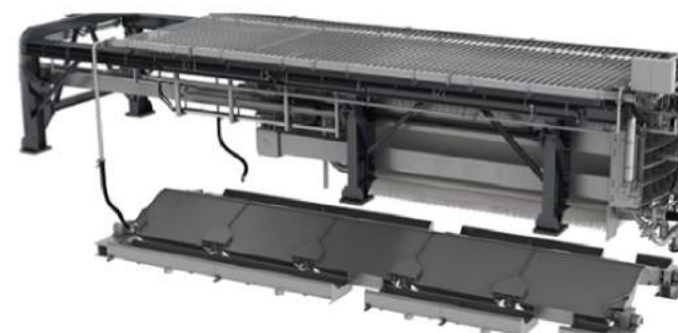
Mining Machine Cylinder For Ground Drilling Rig  
矿山机械——地面钻机用油缸



Mining Machine Works Cylinder For Underground Loader  
矿山机械——地下装载机用油缸

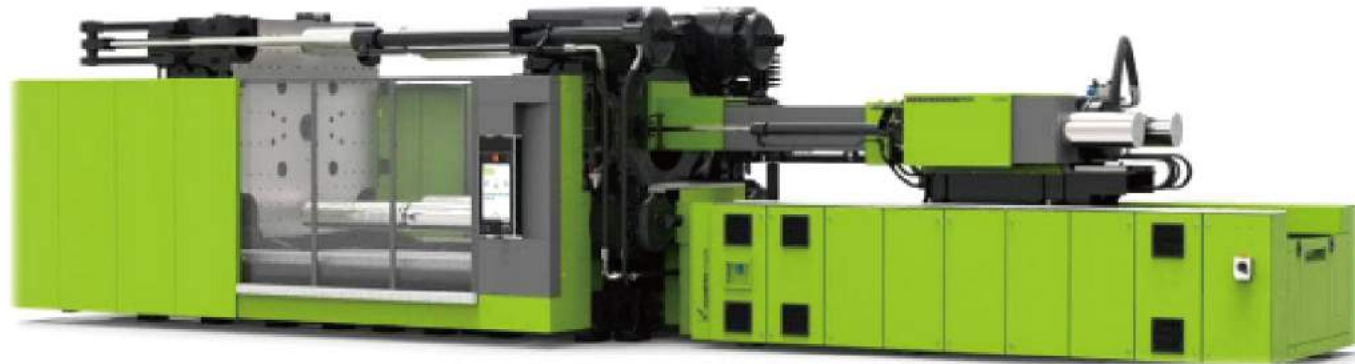


Metallurgical Equipment Cylinder  
冶金设备——压滤机用油缸



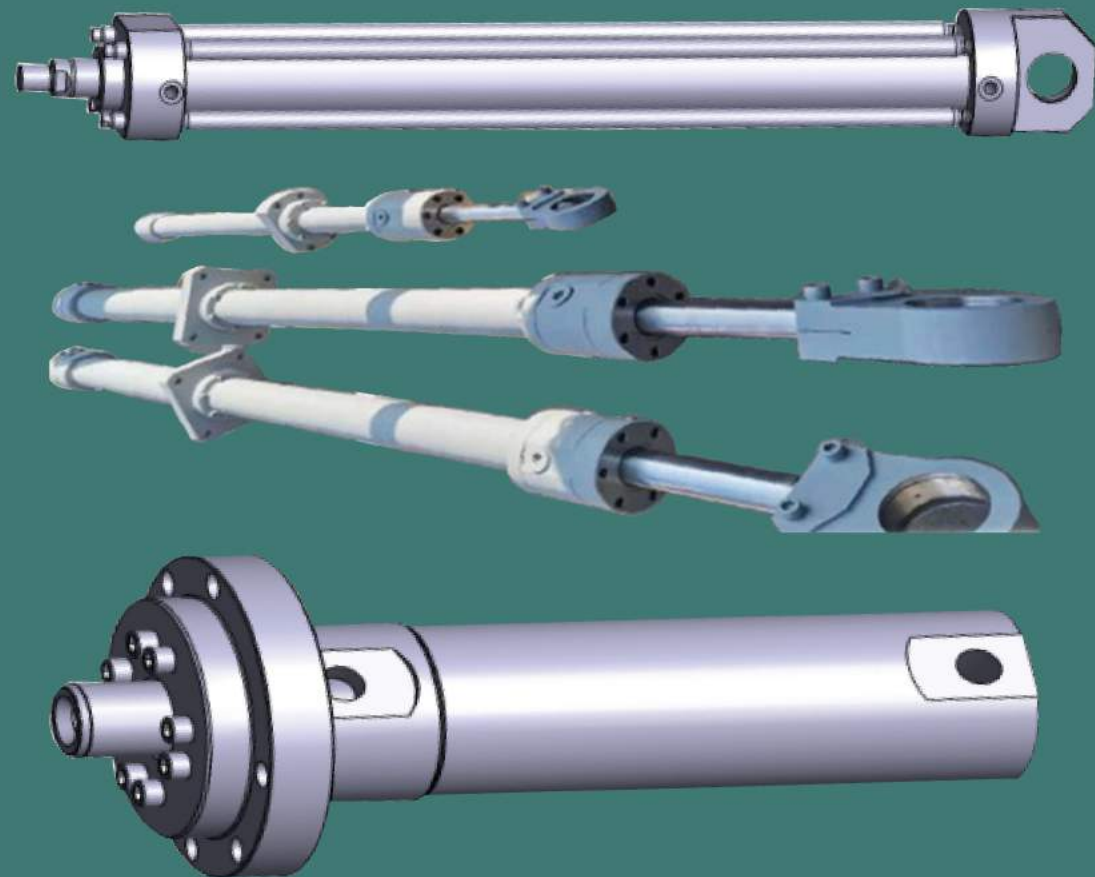
# CYLINDERS FOR INDUSTRIAL APPLICATIONS

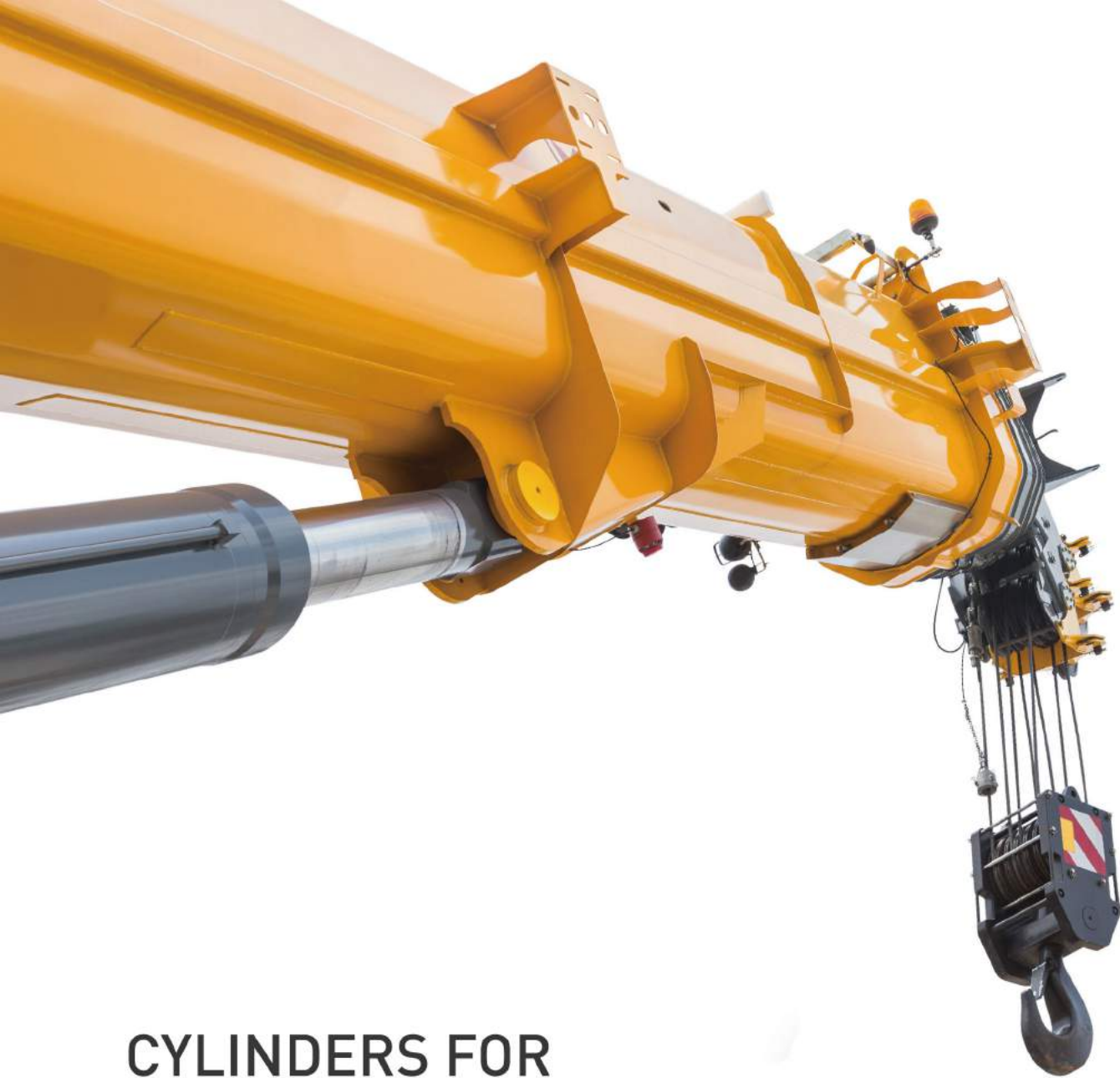
工业用液压缸



# CYLINDERS FOR PORT HANDLING APPLICATIONS

港口装卸设备液压缸





# CYLINDERS FOR SPECIAL VEHICLES APPLICATIONS

专用车液压缸





# QUALITY AND CLASSIFICATION

## 质量和船级社

### 质量体系

大连诺美视产品质量为生命。公司的质量体系基于ISO9001标准,并取得了DNV挪威船级社的认证证书

### QUALITY SYSTEM

Product quality is regarded as the life of the Dalian Nurmi. The company's quality system is based on ISO9001 standard and has obtained the certificate of DNV det Norske Veritas.



### 船检/船级社

ISO 9001-2015 Quality system approved by DNVGL;  
Workshop certificated by BV;  
Production can be approved by any of the below class society if required:

AMERICAN BUREAU OF SHIPPING

**ABS**



BUREAU VERITAS

**BV**



CHINA CLASSIFICATION SOCIETY

**CCS**



DET NORSKE VERITAS

**DNV**



GERMANISCHER LLOYD

**GL**



LLOYD'S REGISTER OF SHIPPING

**LR**



NIPPON KAIJIKYOKAI

**NK**



RUSSIAN MARITIME REGISTER OF SHIPPING

**RS**



KOREAN REGISTER OF SHIPPING

**KR**



REGITRO ITALINO NAVALE

**RINA**



# MAJOR CUSTOMER

## 主要客户

大连诺美不断提升核心竞争优势，持续开发新客户、新项目，平均每年生产大约1万只油缸。

Dalian Nurmi continues to improve its core competitive advantages and continues to develop new customers and new projects. It produces approx 10,000 cylinders per year.



 **CARGOTEC**  **MACGREGOR**  **HIAB**  **KALMAR**

 **BROMMA**  **SANDVIK** **LIEBHERR** **ENGEL**

 **metso** **Outotec**  **XCMG** **UNIC**