

KING BIAO

RUBBER TRACK PAD



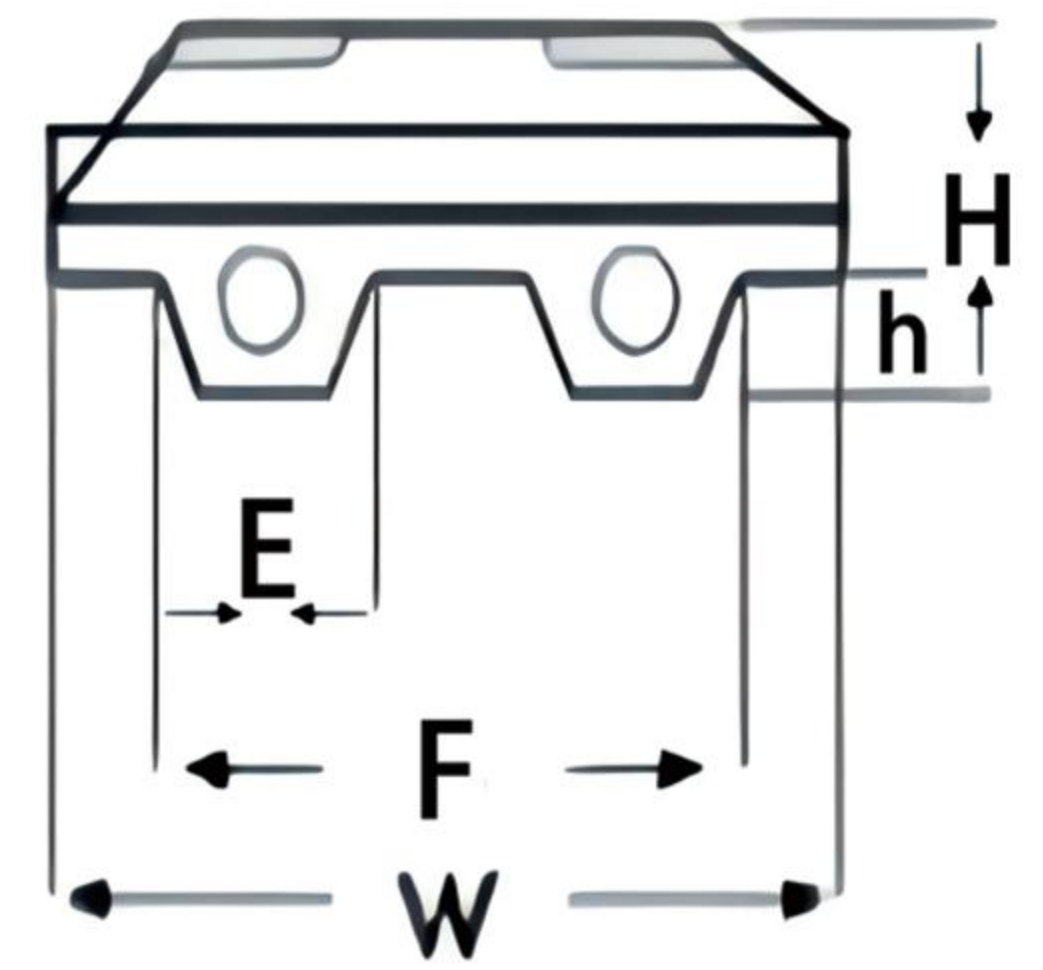
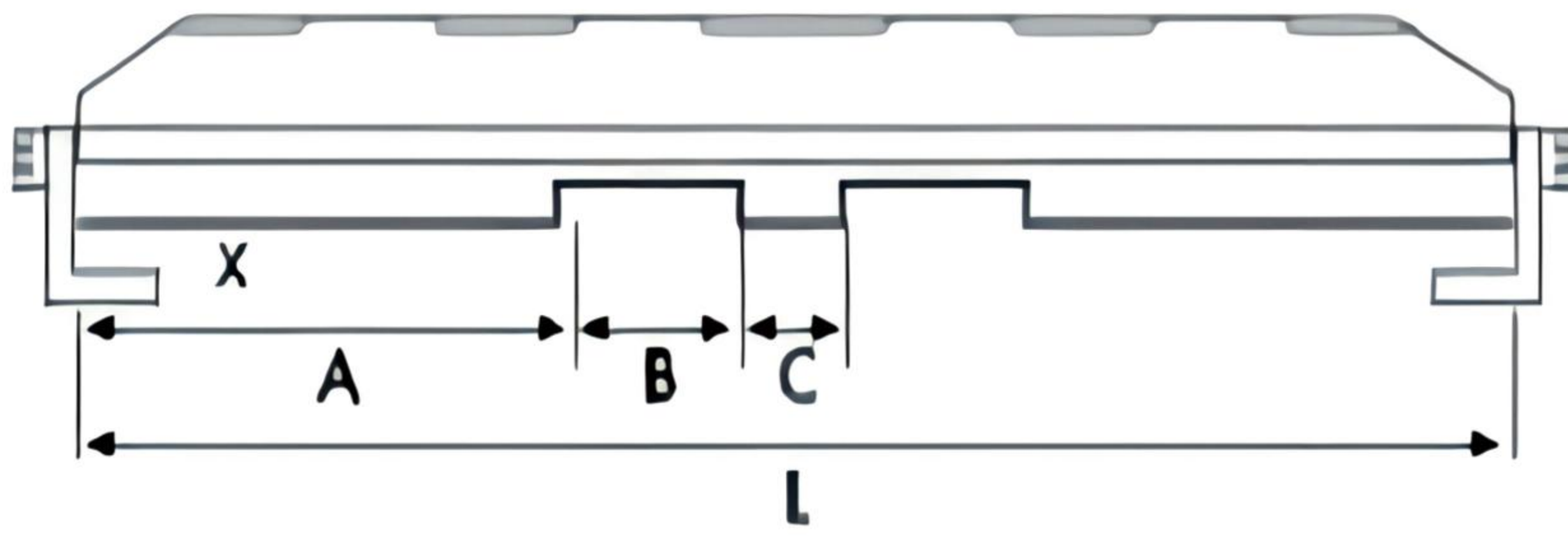
WhatsApp



Wechat

WWW.KING-BIAO.COM

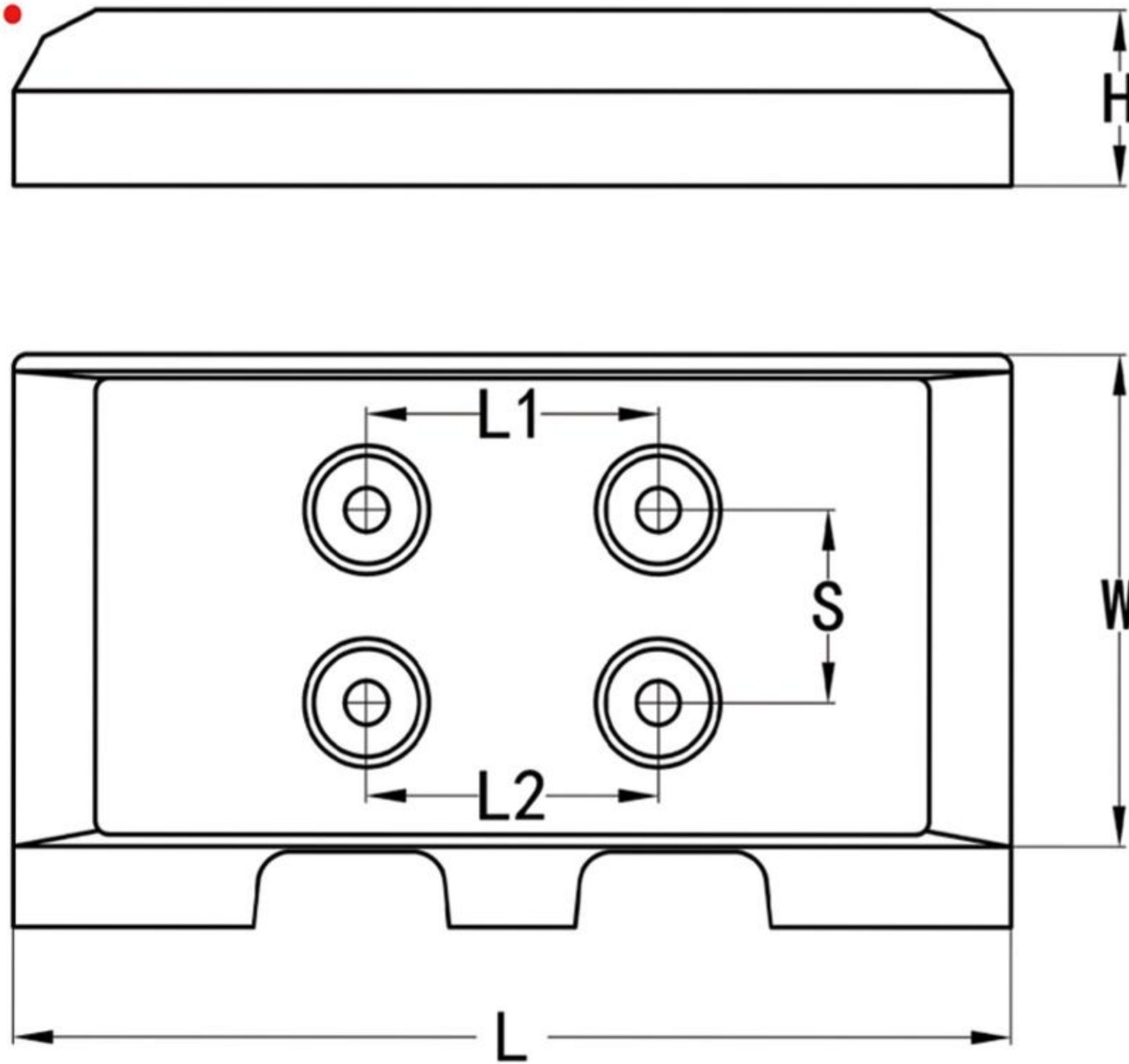
CLIP ON(卡扣式)



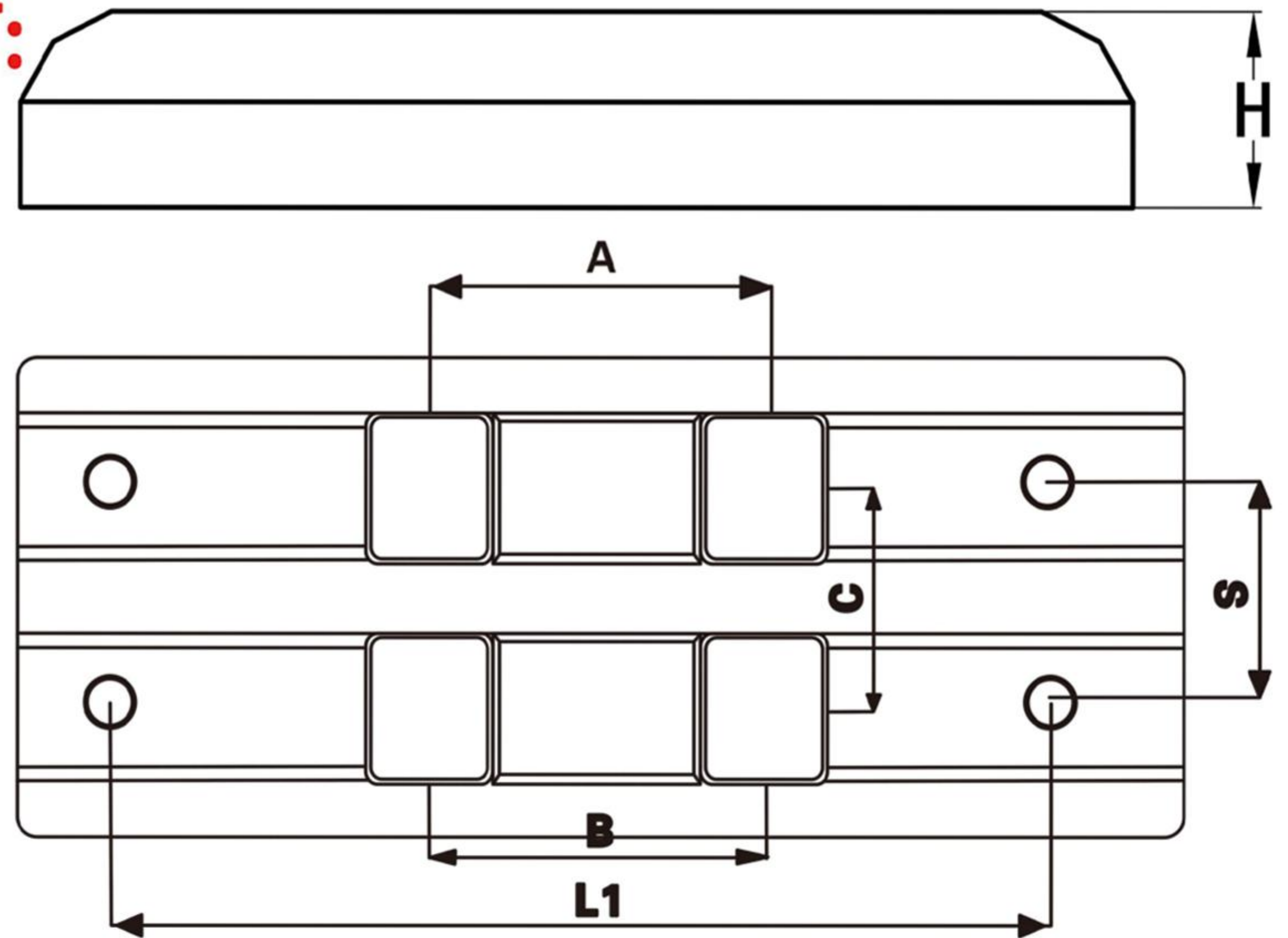
Type	Pitch	L*W*H	h	A	B	C	E	F	Bolt
CL171-500	171	498*134*66	20	150	74	50	49	112	M16
CL175-500	175	498*126*66	25	154	70	50	46	103	M16
CL190-600	190	598*140*66	26	194	67	75	54	123	M16
CL216-600	216	598*156*85	36	200	48	56	57	135	M16

Paver(摊铺机)

CT:



ST:



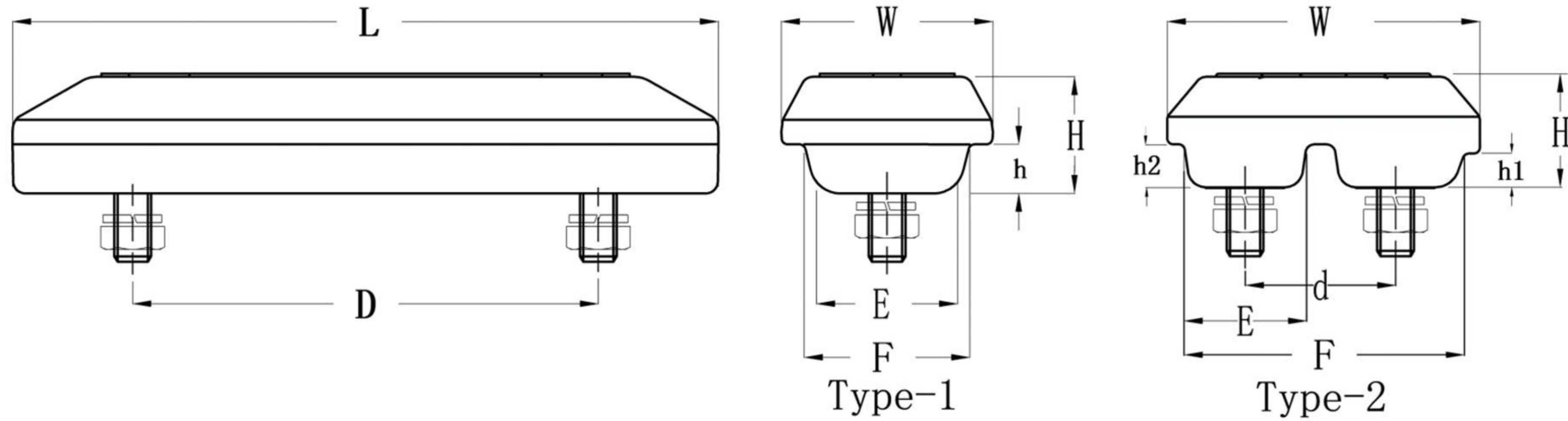
CT Model

Type	Pitch	L*W*H	L1	L2	S	Bolt
CT180	125	180*115*45	80	80	53	M10
CT265	140	265*140*52	86	86	52	M12
CT305	155.6	305*146*52	89	89	57	M13

ST Model

Type	Pitch	L*W*H	L1	L2	A	B	C	Bolt
ST260	140	260*116*46	190	52	84	84	52	M12
ST265	140	265*116*46	200	52	84	84	52	M12
ST300	155.6	300*125*48	220	57	91	91	57	M13
ST305	155.6	305*125*48	228	57	91	91	57	M13

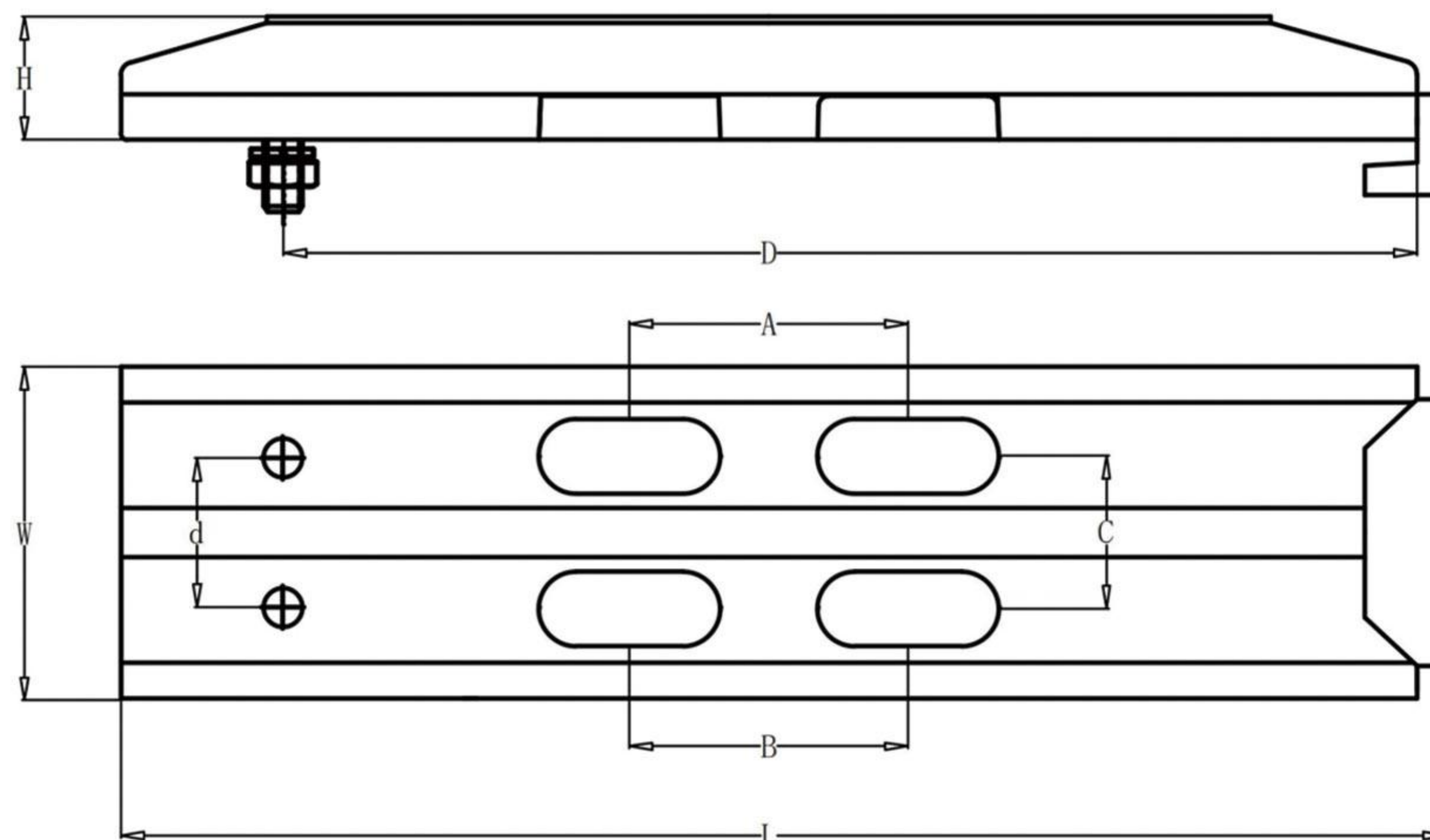
Bolt on(螺栓固定型)



Type	Pitch	L*W*H	h(h1-h2)	D*d	E	F	Bolt
230	90	228*68*37	16	150	48	56	M12
250	90	248*68*37	16	200	48	56	M12
300	101	298*68*40	16	200	48	56	M12
300S	101	298*68*36	16	200	48	56	M12
350BA	101	348*68*37	16	250	48	56	M12
350B	135	348*106*40	11-14	250*46	40	90.5	M12
350C	135	348*106*40	11-14	300*46	40	90.5	M12
400	135	398*106*40	11-14	300*46	40	90.5	M12
400S	135	390*105*37	11-14	300*46	40	91.5	M12
400YR	135	390*105*37	11-14	300*46	40	91.5	M12
450	154	449*127*51	20-20	350*58	47	109	M14
450S	154	449*127*47	20-20	350*58	47	109	M14
500	171	498*133*53	20-20	400*60	51	116	M16
500S	171	498*133*45	20-20	400*60	51	116	M16
500	175	498*124*56	25-25	400*57	45	103	M16
600	190	598*140*66	26-26	400*69	54	123	M20

Note: "YR" is special for Yanmar Eccentric. This weight includes the nut . Dimensional error: ± 1 MM, weight error: ± 0.1 KG

CLIP AND BOLT(单边卡扣型)



Type	Pitch	L*W*H	D	d	A	B	C	Bolt
DK400	135	409*106*40	350	46	86	86	47	M12

Note: This weight includes the nut . Dimensional error: ± 1 MM, weight error: ± 0.1 KG

Shaanxi Jingbiao Rubber Technology Co., Ltd. independently produces rubber track and rubber track pad. In order to make the product performance stable and reliable, the rubber materials we use are strictly tested and have performance reports.

The company develops the future market with the principle of fine craft and high standard. We sincerely look forward to cooperating with customers at home and abroad, seeking excellence and developing a bright future.



陕西精标橡胶科技有限公司
Shaanxi Jingbiao Rubber Technology Co., Ltd
陕西省宝鸡市陈仓区周原镇第二村三组
Group 3, Second Village, Zhouyuan Town,
Chencang District, Baoji City, Shaanxi Province
WWW. KING-BIAO.COM
Whats App: +86-13113992602
Email: kingbiaotrack@163.com
WWW. KING-BIAO.COM
WWW. KINGBIAO.CN