

无锡持胜车辆部件有限公司
Wuxi Everwin Vehicle Parts Co., Ltd



The first choice for...

Seats, Sliders, Seat Switches, Armrests...



持胜
EVERWIN



公司简介

ABOUT US

无锡持胜车辆部件有限公司是一家非公路车辆座椅、滑轨、座椅开关、线束、警示灯及其他座椅配件的专业制造商。多年来公司专注于产品的研发和制造，拥有专利22项，并于2022年荣获“国家高新技术企业”称号。

产品广泛应用于物料搬运设备、草坪护理设备、农业机械、建筑设备、清扫设备、机场地勤设备等。同时我们提供丰富的座椅配件，如安全带、扶手等，为客户提供座椅选型的全套解决方案。

目前产品的主要市场分布在海外，超过90%以上的产品出口到北美和欧洲。通过遍布世界各地的销售网络，我们持续为最终用户提供高质量的产品和服务。

我们将给客户提供专业的指导意见，以极具竞争力的价格，最大程度提高用户对于产品的使用感受。面对售后服务，我们着重关注产品的质量，给您安心的购买体验，做到聆听每一个需求，解决每一个问题。

持胜的进步，离不开每一位客户的建议和支持！

Wuxi Everwin Vehicle Parts Co., Ltd is a Professional Manufacturer for Off-Road Vehicle Seats, Seat Sliders, Seat Safety Switches, Wiring Harnesses, Strobe Lights and Other Seat Accessories. Over the years, the company has focused on the Research & Development and manufacturing of the products, has 22 patents, and won the title of "National High-tech Enterprise" in 2022.

The products are widely applied on Material Handling Equipment, Turf Care Equipment, Agricultural Machinery, Construction Equipment, Cleaning Scrubber & Sweeper, Airport Ground Support Equipment and so on. The seats accessories have varieties as seat belts and armrests, to provide customer a full solution of seat selection.

Currently the products are popular overseas, more than 90% of the products have been exported to North America and Europe. Through our sales network all over the world, we continue to provide high quality products and service to the end users.

With the profession of the team, we give advice to our customer to maximizing the user experience with a competitive cost. For after sales service, we pay most attention to the quality of the product. We listen to every request and insure to solve every problem.

Everwin improves every time with customer' s advice!

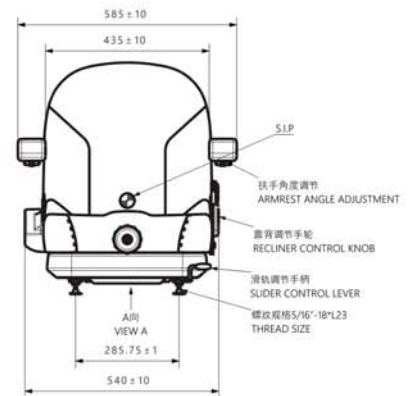
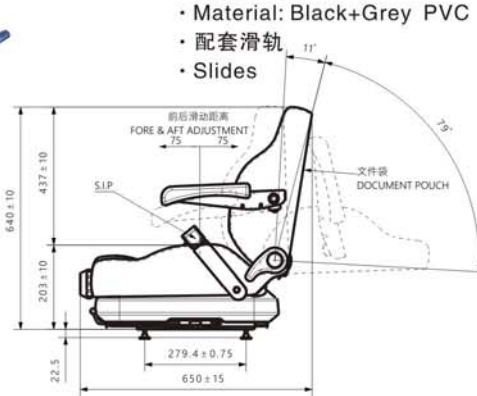
ES201A

特性描述 FEATURES

- 专为割草机设计
- Specially Designed for Lawn Mower
- 低减振, 减振行程: 60mm
- Low Suspension, Stroke: 60mm
- 滑轨前后调节行程: 150mm
- Fore and Aft Adjustment: 150mm
- 靠背带文件袋
- Backrest with Document Pouch
- 角度可调可折叠扶手
- Angle Adjustable and Fold-up Armrest
- 面料: 黑色+灰色 PVC
- Material: Black+Grey PVC
- 配套滑轨
- Slides

可选配件 OPTIONS

- 座椅开关
- Seat Switch
- 两点式安全带
- Two-points Seat Belt
- 靠背调节
- Back Angle Adjustment
- 可定制颜色
- Customized Color
- 可定制烫印或刺绣LOGO
- Customized Thermoprint or Embroidery LOGO



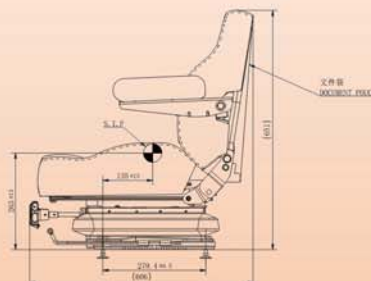
ES202A

特性描述 FEATURES

- 专为割草机设计
- Specially Designed for Lawn Mower
- 独立减振, 减振行程: 60mm
- Independent Suspension, Stroke: 60mm
- 滑轨前后调节行程: 150mm
- Fore and Aft Adjustment: 150mm
- 靠背带文件袋
- Backrest with Document Pouch
- 角度可调可折叠扶手
- Angle Adjustable and Fold-up Armrest
- 面料: 黑色+灰色 PVC
- Material: Black+Grey PVC
- 配套滑轨
- Slides

可选配件 OPTIONS

- 座椅开关
- Seat Switch
- 两点式安全带
- Two-points Seat Belt
- 靠背调节
- Back Angle Adjustment
- 可定制颜色
- Customized Color
- 可定制烫印或刺绣LOGO
- Customized Thermoprint or Embroidery LOGO



ES201E

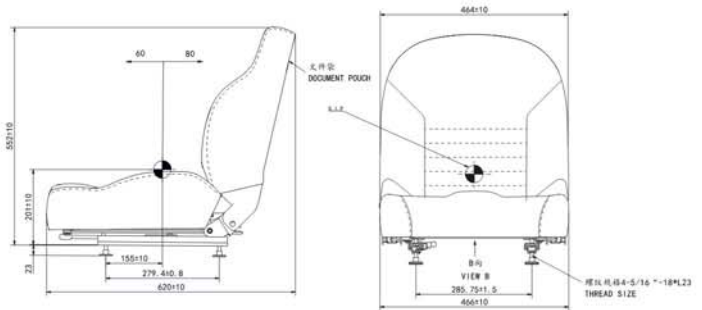


特性描述 FEATURES

- 专为割草机设计
- Specially Designed for Lawn Mower
- 滑轨前后调节行程: 140mm
- Fore and Aft Adjustment: 140mm
- 靠背带文件袋
- Backrest with Document Pouch
- 面料: 黑色+灰色 PVC
- Material: Black+Grey PVC
- 配套滑轨
- Slides

可选配件 OPTIONS

- 座椅开关
- Seat Switch
- 两点式安全带
- Two-points Seat Belt
- 扶手
- Armrest
- 靠背调节
- Back Angle Adjustment
- 可定制颜色
- Customized Color
- 可定制烫印或刺绣LOGO
- Customized Thermoprint or Embroidery LOGO



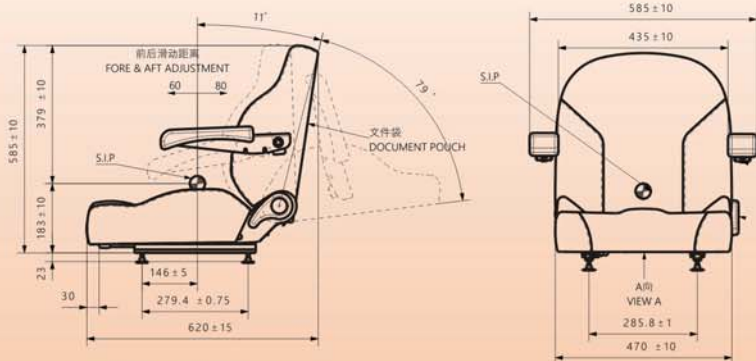
ES201F

特性描述 FEATURES

- 专为割草机设计
- Specially Designed for Lawn Mower
- 滑轨前后调节行程: 140mm
- Fore and Aft Adjustment: 140mm
- 靠背带文件袋
- Backrest with Document Pouch
- 角度可调可折叠扶手
- Angle Adjustable and Fold-up Armrest
- 面料: PVC
- Material: PVC
- 配套滑轨
- Slides

可选配件 OPTIONS

- 座椅开关
- Seat Switch
- 两点式安全带
- Two-points Seat Belt
- 靠背调节
- Back Angle Adjustment
- 可定制颜色
- Customized Color
- 可定制烫印或刺绣LOGO
- Customized Thermoprint or Embroidery LOGO



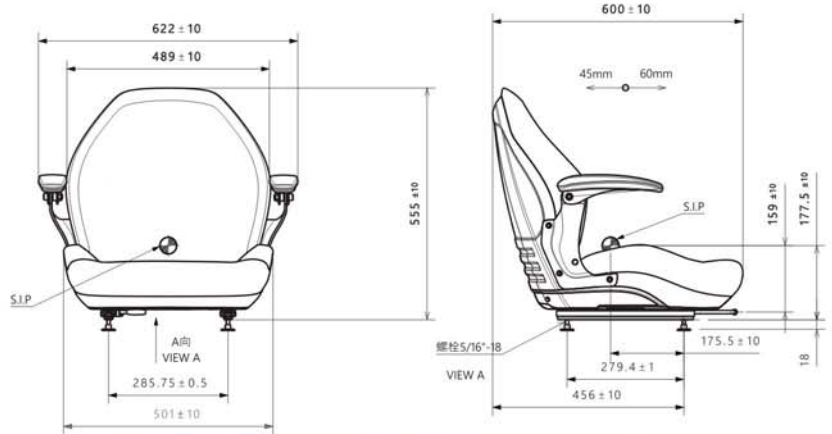
ES310A

特性描述 FEATURES

- 防水设计漏水孔
- Water Drain Holes
- 滑轨前后调节行程:105mm
- Fore and Aft Adjustment:105mm
- 可折叠扶手
- Fold-up Armrest
- 面料: PVC
- Material: PVC
- 配套滑轨
- Slides

可选配件 OPTIONS

- 座椅开关
- Seat Switch
- 两点式安全带
- Two-points Seat Belt
- 可定制颜色
- Customized Color
- 可定制烫印或刺绣LOGO
- Customized Thermoprint or Embroidery LOGO



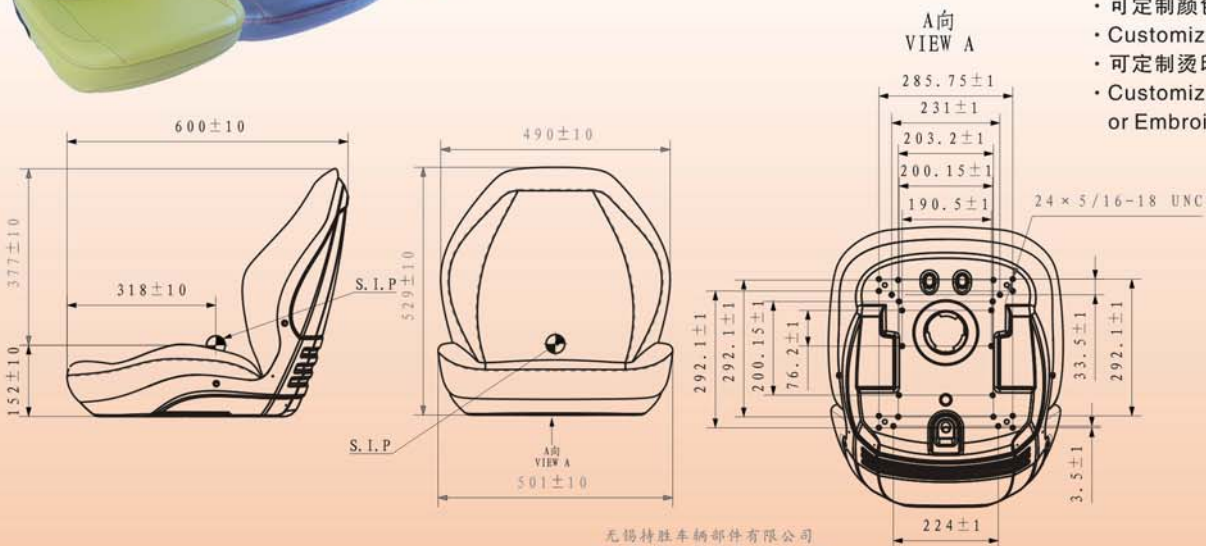
ES310C

特性描述 FEATURES

- 防水设计漏水孔
- Water Drain Holes
- 多组安装孔底板
- Multiple Mounting Holes
- 面料: PVC
- Material: PVC

可选配件 OPTIONS

- 座椅开关
- Seat Switch
- 两点式安全带
- Two-points Seat Belt
- 扶手
- Armrest
- 滑轨
- Slides
- 可定制颜色
- Customized Color
- 可定制烫印或刺绣LOGO
- Customized Thermoprint or Embroidery LOGO



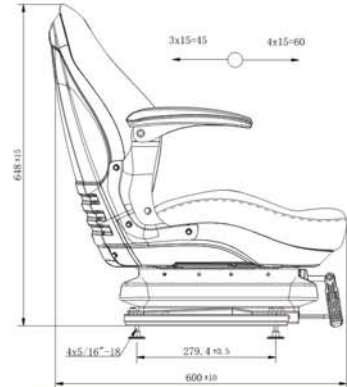
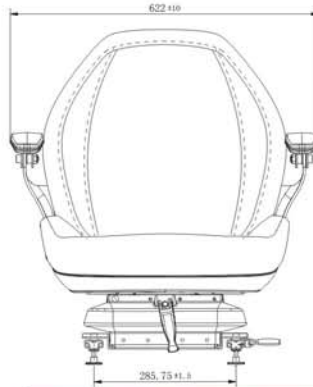
ES310H

特性描述 FEATURES

- 独立减振, 减振行程: 60mm
- Independent Suspension, Stroke: 60mm
- 滑轨前后调节行程: 105mm
- Fore and Aft Adjustment: 105mm
- 防水设计漏水孔
- Water Drain Holes
- 面料: 黑色PVC
- Material: Black PVC
- 配套滑轨
- Slides

可选配件 OPTIONS

- 座椅开关
- Seat Switch
- 可折叠扶手
- Fold-up Armrest
- 两点式安全带
- Two-points Seat Belt
- 可定制颜色
- Customized Color
- 可定制烫印或刺绣LOGO
- Customized Thermoprint or Embroidery LOGO



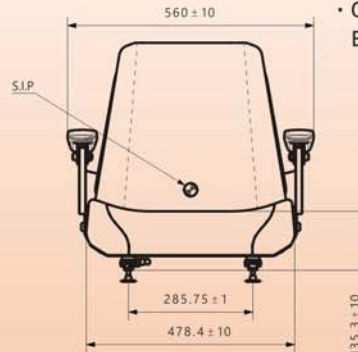
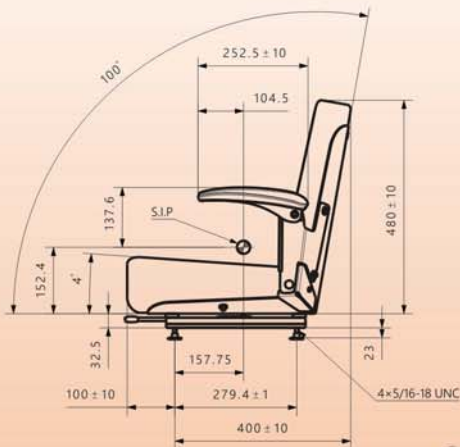
ES311A

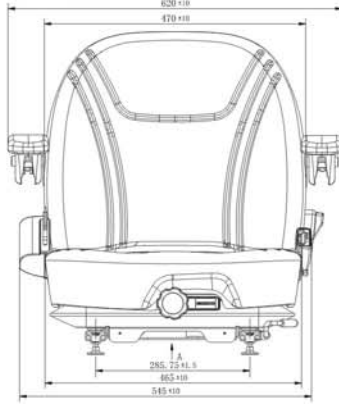
特性描述 FEATURES

- 黑色表面处理钢制框架
- Steel Frame with Black Finish
- 可折叠扶手
- Fold-up Armrest
- 面料: 灰色/棕色PVC
- Material: Grey/Brown PVC
- 配套滑轨
- Slides

可选配件 OPTIONS

- 座椅开关
- Seat Switch
- 两点式安全带
- Two-points Seat Belt
- 扶手
- Armrest
- 安装尺寸 (宽度) 203mm、241mm 和 266.8~285.75mm
- 203mm, 241mm and 266.8~285.75mm Wide Mountings
- 可定制颜色
- Customized Color
- 可定制烫印或刺绣LOGO
- Customized Thermoprint or Embroidery LOGO





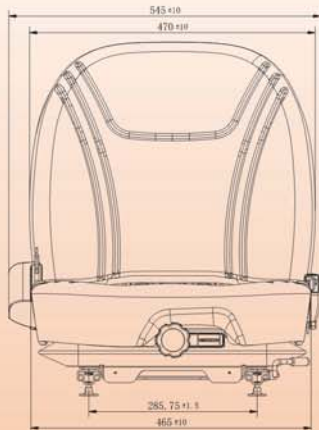
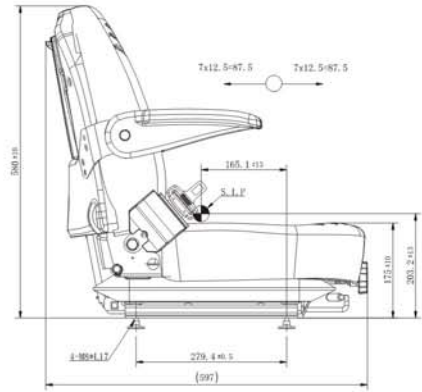
ES315A

特性描述 FEATURES

- 机械减振
- Mechanical Suspension
- 防水设计漏水孔
- Water Drain Hole
- 滑轨前后调节行程:175mm
- Fore and Aft Adjustment:175mm
- 体重调节范围:40-130kgs
- Weight Adjustment:40-130kgs
- 靠背带文件盒
- Backrest with Document Box
- 角度可调可折叠扶手
- Adjustable and Fold-up Armrest
- 面料: 黑色PVC
- Material: Black PVC
- 配套滑轨
- Slides

可选配件 OPTIONS

- 座椅开关
- Seat Switch
- 两点式安全带
- Two-points Seat Belt
- 腰托调节
- Lumbar Adjustment
- 靠背角度调节
- Back Angle Adjustment
- 面料:黑色布料
- Material: Black Fabric



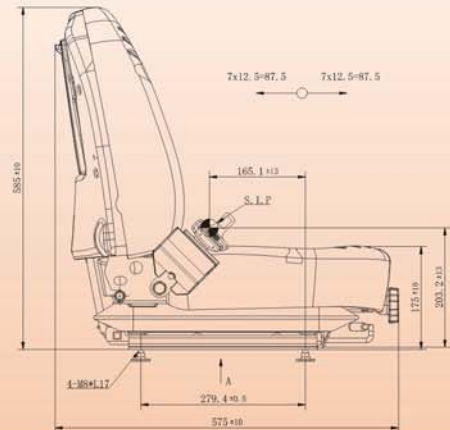
ES315B

特性描述 FEATURES

- 机械减振
- Mechanical Suspension
- 防水设计漏水孔
- Water Drain Hole
- 滑轨前后调节行程:175mm
- Fore and Aft Adjustment: 175mm
- 体重调节范围:40-130kgs
- Weight Adjustment:40-130kgs
- 靠背带文件盒
- Backrest with Document Box
- 面料: 黑色PVC
- Material: Black PVC
- 配套滑轨
- Slides

可选配件 OPTIONS

- 座椅开关
- Seat Switch
- 两点式安全带
- Two-points Seat Belt
- 扶手
- Armrest
- 腰托调节
- Lumbar Adjustment
- 靠背角度调节
- Back Angle Adjustment
- 面料:黑色布料
- Material: Black Fabric





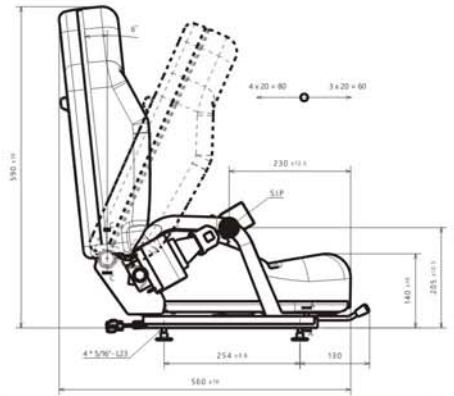
ES301

特性描述 FEATURES

- 可折叠靠背，座椅背部带文件盒
- Folding Backrest with Document Box
- 滑轨前后调节行程: 140mm
- Fore and Aft Adjustment: 140mm
- 带臀部约束支架
- Hip Restraints
- 面料: 黑色PVC
- Material: Black PVC
- 配套滑轨
- Slides

可选配件 OPTIONS

- 座椅开关
- Seat Switch
- 两点式安全带
- Two-points Seat Belt



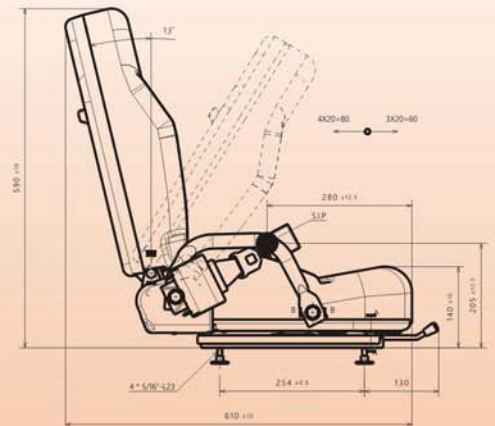
ES302

特性描述 FEATURES

- 可折叠靠背，座椅背部带文件盒
- Folding Backrest with Document Box
- 滑轨前后调节行程: 140mm
- Fore and Aft Adjustment: 140mm
- 带臀部约束支架
- Hip Restraints
- 面料: 黑色PVC
- Material: Black PVC
- 配套滑轨
- Slides

可选配件 OPTIONS

- 座椅开关
- Seat Switch
- 两点式安全带
- Two-points Seat Belt



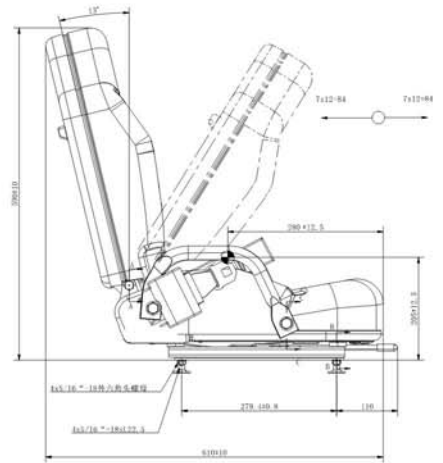
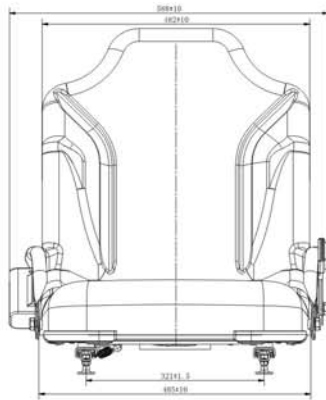
ES302A

特性描述 FEATURES

- 可折叠靠背，座椅背部带文件盒
- Folding Backrest with Document Box
- 滑轨前后调节行程: 168mm
- Fore and Aft Adjustment: 168mm
- 带臀部约束支架
- Hip Restraints
- 面料: 黑色PVC
- Material: Black PVC
- 配套滑轨
- Slides

可选配件 OPTIONS

- 座椅开关
- Seat Switch
- 两点式安全带
- Two-points Seat Belt



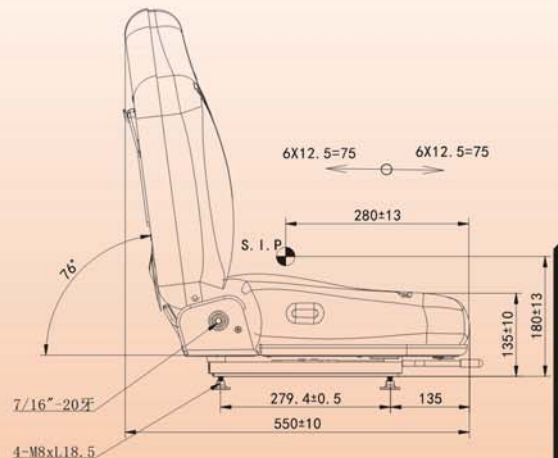
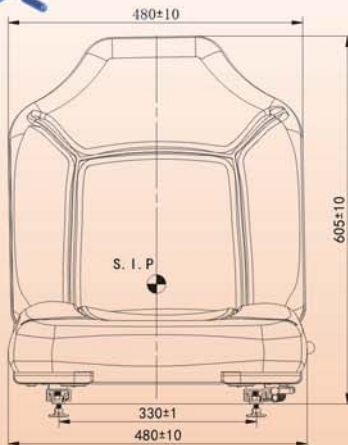
ES303

特性描述 FEATURES

- 可折叠靠背，座椅背部带文件盒
- Folding Backrest with Document Box
- 滑轨前后调节行程: 150mm
- Fore and Aft Adjustment: 150mm
- 面料: 黑色PVC
- Material: Black PVC
- 配套滑轨
- Slides

可选配件 OPTIONS

- 座椅开关
- Seat Switch
- 两点式安全带
- Two-points Seat Belt





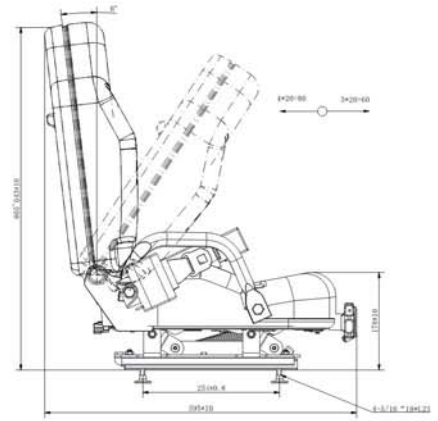
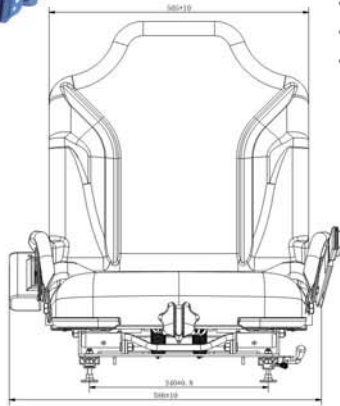
ES304A

特性描述 FEATURES

- 集成式减振座椅
- Integrated Suspension Seat
- 滑轨前后调节行程: 140mm
- Fore and Aft Adjustment: 140mm
- 可折叠靠背, 座椅背部带文件盒
- Folding Backrest with Document Box
- 防水、自排水
- Waterproof, Self-draining
- 带臀部约束支架
- Hip Restraints
- 面料: 黑色PVC
- Material: Black PVC
- 配套滑轨
- Slides

可选配件 OPTIONS

- 座椅开关
- Seat Switch
- 两点式安全带
- Two-points Seat Belt



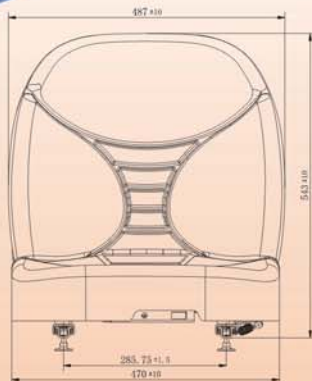
ES305A

特性描述 FEATURES

- 防水设计漏水孔
- Water Drain Hole
- 滑轨前后调节行程: 168mm
- Fore and Aft Adjustment: 168mm
- 靠背带文件盒
- Backrest with Document Box
- 面料: 黑色PVC
- Material: Black PVC
- 配套滑轨
- Slides

可选配件 OPTIONS

- 座椅开关
- Seat Switch
- 两点式安全带
- Two-points Seat Belt
- 带减振
- Suspension
- 扶手
- Armrest
- 带臀部约束支架
- Hip Restraints
- 腰托调节
- Lumbar Adjustment
- 靠背角度调节
- Back Angle Adjustment
- 面料: 黑色布料
- Material: Black Fabric





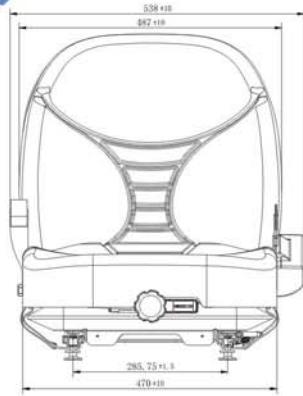
ES305B

特性描述 FEATURES

- 机械减振
- Mechanical Suspension
- 防水设计漏水孔
- Water Drain Hole
- 滑轨前后调节行程:144mm
- Fore and Aft Adjustment: 144mm
- 体重调节范围:40-130kgs
- Weight Adjustment:40-130kgs
- 靠背带文件盒
- Backrest with Document Box
- 面料: 黑色PVC
- Material: Black PVC
- 配套滑轨
- Slides

可选配件 OPTIONS

- 座椅开关
- Seat Switch
- 两点式安全带
- Two-points Seat Belt
- 扶手
- Armrest
- 腰托调节
- Lumbar Adjustment
- 靠背角度调节
- Back Angle Adjustment
- 面料:黑色布料
- Material: Black Fabric



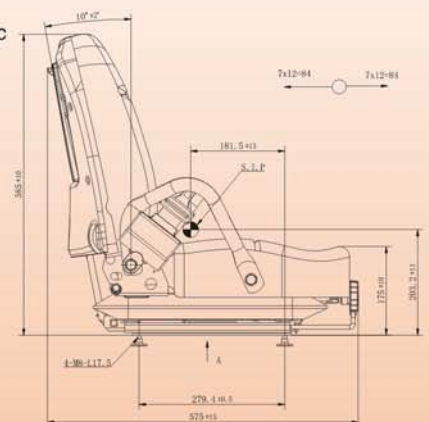
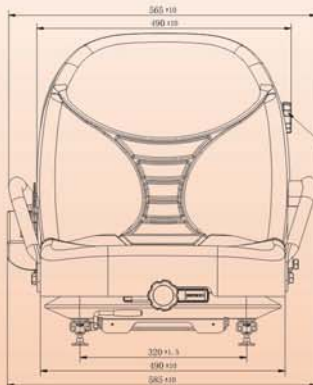
ES305D

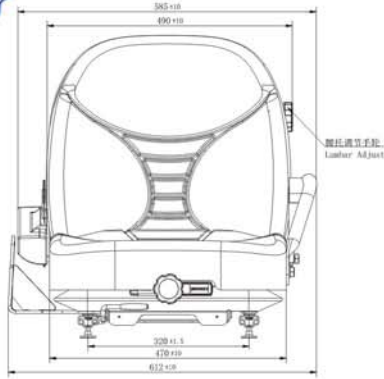
特性描述 FEATURES

- 机械减振
- Mechanical Suspension
- 防水设计漏水孔
- Water Drain Hole
- 滑轨前后调节行程:168mm
- Fore and Aft Adjustment:168mm
- 体重调节范围:40-130kgs
- Weight Adjustment:40-130kgs
- 可折叠靠背, 座椅背部带文件盒
- Folding Backrest with Document Box
- 带臀部约束支架
- Hip Restraints
- 面料: 黑色布料
- Material: Black Fabric
- 配套滑轨
- Slides

可选配件 OPTIONS

- 座椅开关
- Seat Switch
- 两点式安全带
- Two-points Seat Belt
- 扶手
- Armrest
- 腰托调节
- Lumbar Adjustment
- 靠背角度调节
- Back Angle Adjustment
- 面料:黑色PVC
- Material: Black PVC





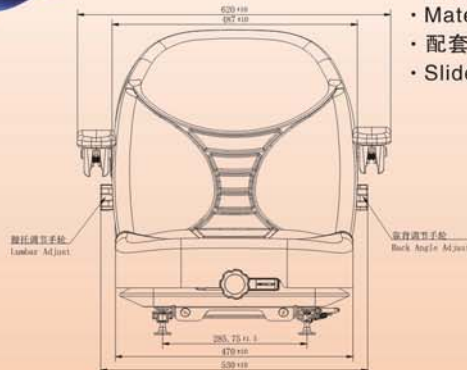
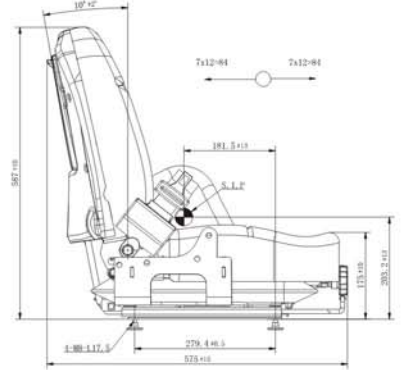
ES305E

特性描述 FEATURES

- 机械减振
- Mechanical Suspension
- 防水设计漏水孔
- Water Drain Hole
- 滑轨前后调节行程:168mm
- Fore and Aft Adjustment:168mm
- 体重调节范围:40-130kgs
- Weight Adjustment:40-130kgs
- 可折叠靠背, 座椅背部带文件盒
- Folding Backrest with Document Box
- 带臀部约束支架
- Hip Restraints
- 带控制箱支架
- With Control Box Bracket
- 面料: 黑色PVC
- Material: Black PVC
- 配套滑轨
- Slides

可选配件 OPTIONS

- 座椅开关
- Seat Switch
- 两点式安全带
- Two-points Seat Belt
- 扶手
- Armrest
- 腰托调节
- Lumbar Adjustment
- 靠背角度调节
- Back Angle Adjustment
- 面料:黑色布料
- Material: Black Fabric



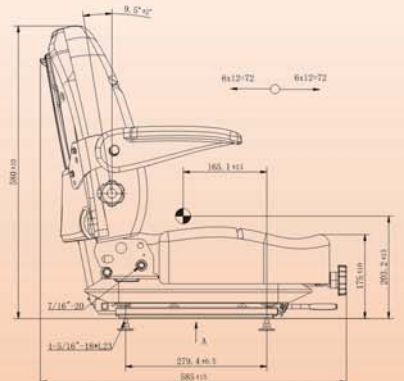
ES305F

特性描述 FEATURES

- 机械减振
- Mechanical Suspension
- 防水设计漏水孔
- Water Drain Hole
- 滑轨前后调节行程:144mm
- Fore and Aft Adjustment:144mm
- 体重调节范围:40-130kgs
- Weight Adjustment:40-130kgs
- 靠背带文件盒
- Backrest with Document Box
- 角度可调可折叠扶手
- Adjustable and Fold-up Armrest
- 面料: 黑色PVC
- Material: Black PVC
- 配套滑轨
- Slides

可选配件 OPTIONS

- 座椅开关
- Seat Switch
- 两点式安全带
- Two-points Seat Belt
- 腰托调节
- Lumbar Adjustment
- 靠背角度调节
- Back Angle Adjustment
- 面料:黑色布料
- Material: Black Fabric





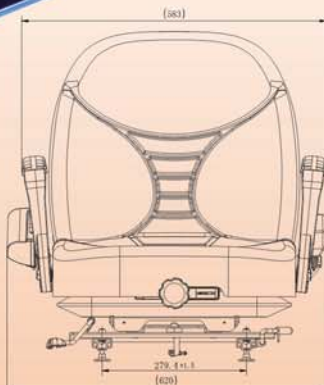
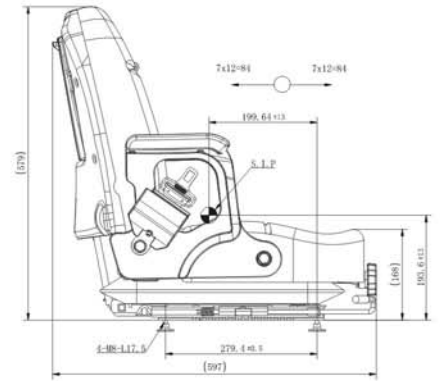
ES305H

特性描述 FEATURES

- 机械减振
- Mechanical Suspension
- 防水设计漏水孔
- Water Drain Hole
- 滑轨前后调节行程:168mm
- Fore and Aft Adjustment:168mm
- 体重调节范围:40-130kgs
- Weight Adjustment:40-130kgs
- 靠背带文件盒
- Backrest with Document Box
- 不可调节扶手
- Non-Adjustable Armrest
- 面料: 黑色PVC
- Material: Black PVC
- 配套滑轨
- Slides

可选配件 OPTIONS

- 座椅开关
- Seat Switch
- 两点式安全带
- Two-points Seat Belt
- 腰托调节
- Lumbar Adjustment
- 靠背角度调节
- Back Angle Adjustment
- 面料:黑色布料
- Material: Black Fabric



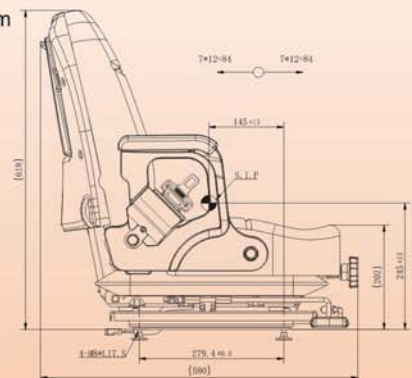
ES305J

特性描述 FEATURES

- 机械减振
- Mechanical Suspension
- 防水设计漏水孔
- Water Drain Hole
- 滑轨前后调节行程:168mm
- Fore and Aft Adjustment:168mm
- 体重调节范围:40-130kgs
- Weight Adjustment:40-130kgs
- 靠背带文件盒
- Backrest with Document Box
- 不可调节扶手
- Non-Adjustable Armrest
- 座椅旋转装置
- Seat Swivel Mechanism
- 面料: 黑色布料
- Material: Black Fabric
- 配套滑轨
- Slides

可选配件 OPTIONS

- 座椅开关
- Seat Switch
- 两点式安全带
- Two-points Seat Belt
- 腰托调节
- Lumbar Adjustment
- 靠背角度调节
- Back Angle Adjustment
- 面料:黑色PVC
- Material: Black PVC





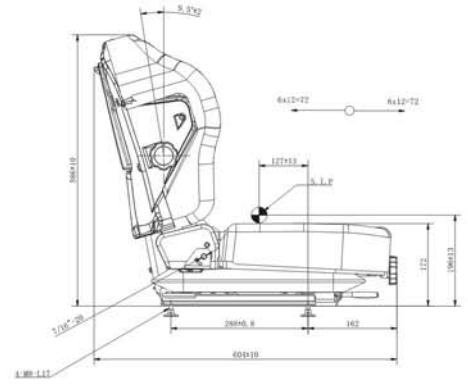
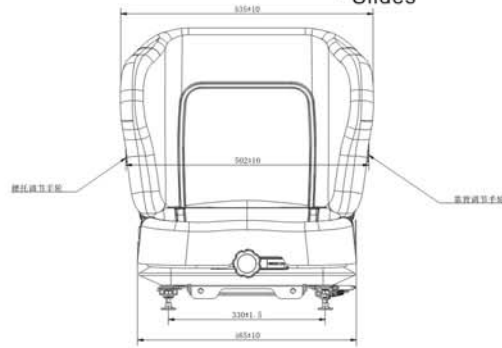
ES306A

特性描述 FEATURES

- 机械减振
- Mechanical Suspension
- 防水设计漏水孔
- Water Drain Hole
- 滑轨前后调节行程:144mm
- Fore and Aft Adjustment:144mm
- 体重调节范围:40-130kgs
- Weight Adjustment:40-130kgs
- 靠背带文件盒
- Backrest with Document Box
- 面料: 黑色PVC
- Material: Black PVC
- 配套滑轨
- Slides

可选配件 OPTIONS

- 座椅开关
- Seat Switch
- 两点式安全带
- Two-points Seat Belt
- 腰托调节
- Lumbar Adjustment
- 靠背角度调节
- Back Angle Adjustment
- 面料:黑色布料
- Material: Black Fabric



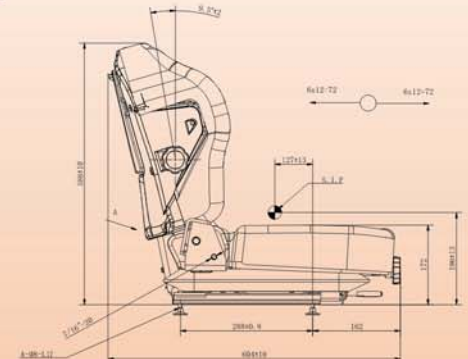
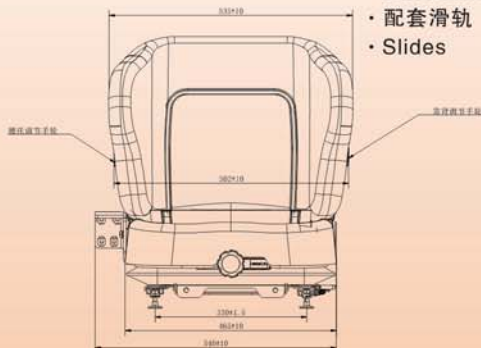
ES306D

特性描述 FEATURES

- 机械减振
- Mechanical Suspension
- 防水设计漏水孔
- Water Drain Hole
- 滑轨前后调节行程:144mm
- Fore and Aft Adjustment:144mm
- 体重调节范围:40-130kgs
- Weight Adjustment:40-130kgs
- 靠背带文件盒
- Backrest with Document Box
- 带控制箱支架
- With Control Box Bracket
- 面料: 黑色布料
- Material: Black Fabric
- 配套滑轨
- Slides

可选配件 OPTIONS

- 座椅开关
- Seat Switch
- 两点式安全带
- Two-points Seat Belt
- 腰托调节
- Lumbar Adjustment
- 靠背角度调节
- Back Angle Adjustment
- 面料:黑色PVC
- Material: Black PVC





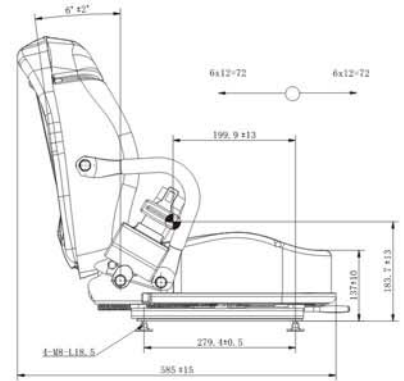
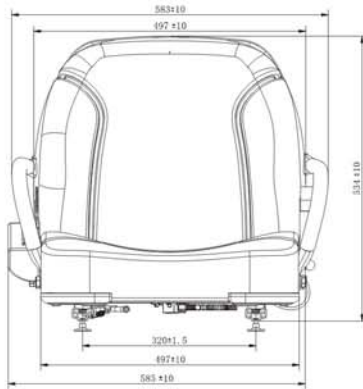
ES307B

特性描述 FEATURES

- 可折叠靠背, 座椅背部带文件盒
- Folding Backrest with Document Box
- 滑轨前后调节行程: 144mm
- Fore and Aft Adjustment: 144mm
- 带臀部约束支架
- Hip Restraints
- 面料: 黑色PVC
- Material: Black PVC
- 配套滑轨
- Slides

可选配件 OPTIONS

- 座椅开关
- Seat Switch
- 两点式安全带
- Two-points Seat Belt
- 腰托调节
- Lumbar Adjustment
- 面料: 黑色布料
- Material: Black Fabric



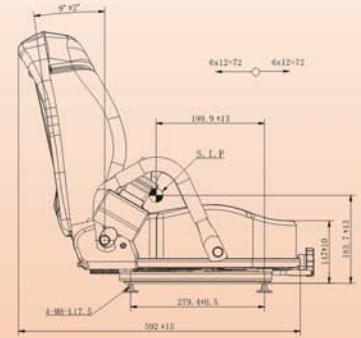
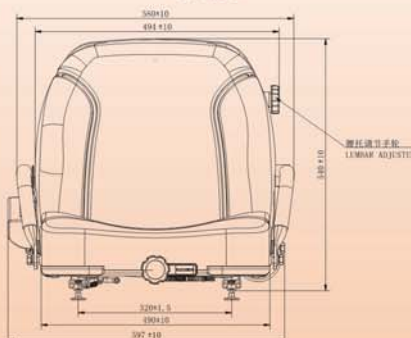
ES307E

特性描述 FEATURES

- 机械减振
- Mechanical Suspension
- 滑轨前后调节行程: 144mm
- Fore and Aft Adjustment: 144mm
- 体重调节范围: 40-130kgs
- Weight Adjustment: 40-130kgs
- 可折叠靠背, 座椅背部带文件盒
- Folding Backrest with Document Box
- 带臀部约束支架
- Hip Restraints
- 面料: 黑色布料
- Material: Black Fabric
- 配套滑轨
- Slides

可选配件 OPTIONS

- 座椅开关
- Seat Switch
- 两点式安全带
- Two-points Seat Belt
- 腰托调节
- Lumbar Adjustment
- 面料: 黑色PVC
- Material: Black PVC



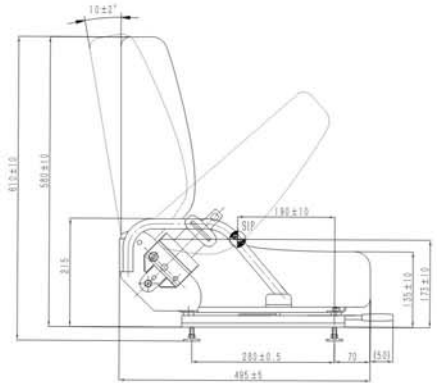
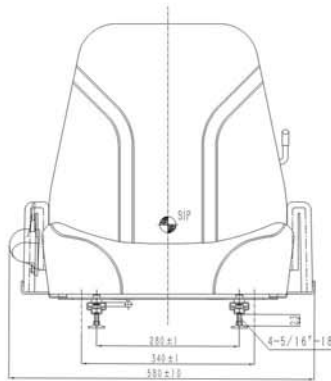
ES103

特性描述 FEATURES

- 可折叠靠背，座椅背部带文件袋
- Folding Backrest with Document Pouch
- 面料：黑色PVC
- Material: Black PVC
- 配套滑轨
- Slides

可选配件 OPTIONS

- 座椅开关
- Seat Switch
- 两点式安全带
- Two-points Seat Belt
- 腰托调节
- Lumbar Support Adjustment



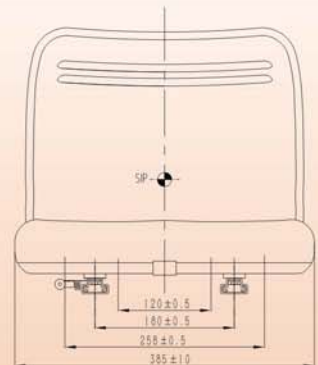
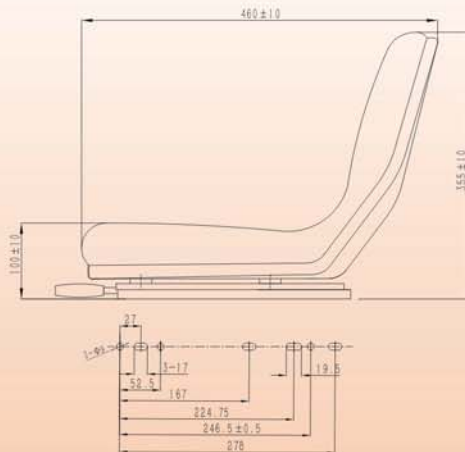
ES105 Series

特性描述 FEATURES

- 防水设计漏水孔
- Water Drain Hole
- 座椅钣金一体成型
- One Piece Steel
- 面料：黑色PVC
- Material: Black PVC
- 配套滑轨
- Slides

可选配件 OPTIONS

- 座椅开关
- Seat Switch
- 两点式安全带
- Two-points Seat Belt





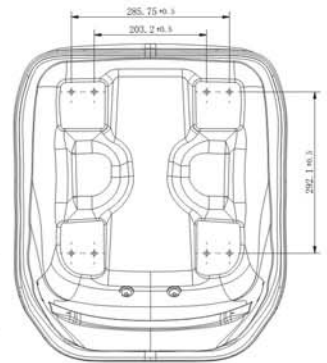
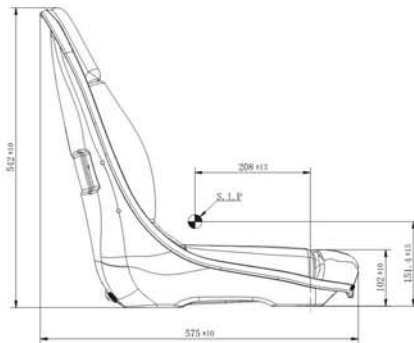
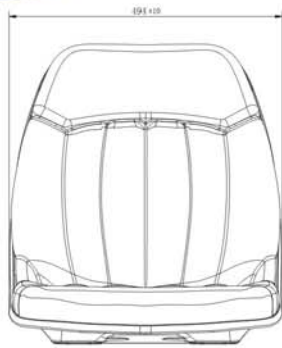
ES118A

特性描述 FEATURES

- 防水设计漏水孔
- Water Drain Holes
- 座椅钣金一体成型
- One Piece Steel
- 面料: 黑色PVC
- Material: Black PVC

可选配件 OPTIONS

- 座椅开关
- Seat Switch
- 滑轨
- Slides
- 扶手
- Armrest



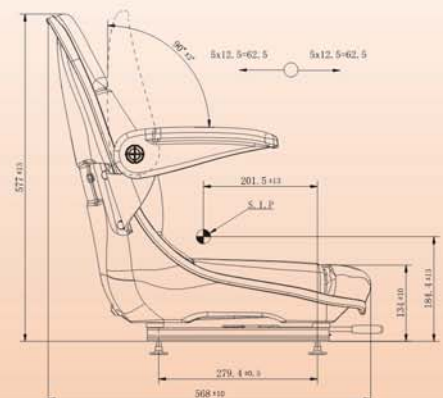
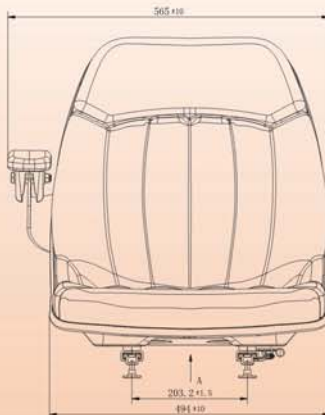
ES118B

特性描述 FEATURES

- 防水设计漏水孔
- Water Drain Holes
- 座椅钣金一体成型
- One Piece Steel
- 滑轨前后调节行程: 125mm
- Fore and Aft Adjustment: 125mm
- 面料: 黑色PVC
- Material: Black PVC
- 可折叠扶手
- Fold-up Armrest
- 配套滑轨
- Slides

可选配件 OPTIONS

- 座椅开关
- Seat Switch



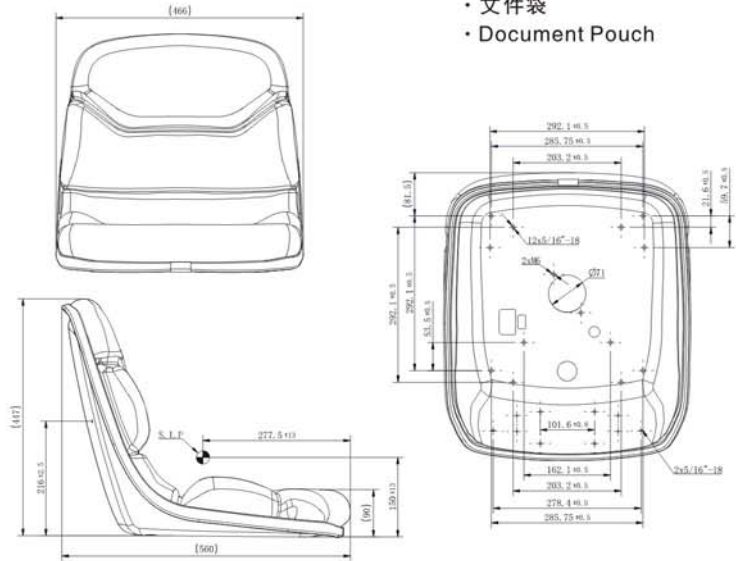
颜色 COLOR

ES119A
特性描述 FEATURES

- 防水
- Waterproof
- 座椅钣金一体成型
- One Piece Steel
- 多组安装孔底板
- Multiple Mounting Holes
- 面料: 黑色 PVC
- Material: Black PVC

可选配件 OPTIONS

- 座椅开关
- Seat Switch
- 两点式安全带
- Two-points Seat Belt
- 扶手
- Armrest
- 滑轨
- Slides
- 文件袋
- Document Pouch

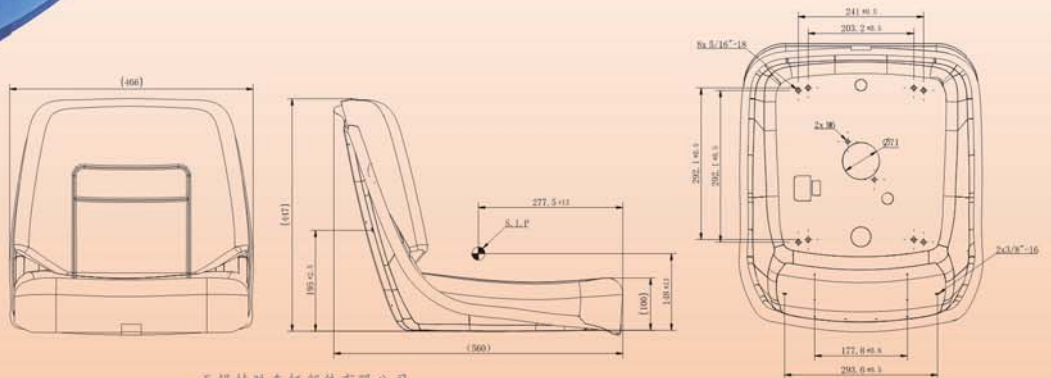

颜色 COLOR

ES119B
特性描述 FEATURES

- 防水
- Waterproof
- 座椅钣金一体成型
- One Piece Steel
- 多组安装孔底板
- Multiple Mounting Holes
- 面料: 灰色 PVC
- Material: Grey PVC

可选配件 OPTIONS

- 座椅开关
- Seat Switch
- 两点式安全带
- Two-points Seat Belt
- 扶手
- Armrest
- 滑轨
- Slides
- 文件袋
- Document Pouch





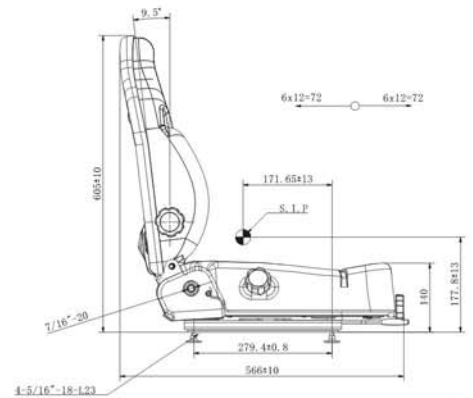
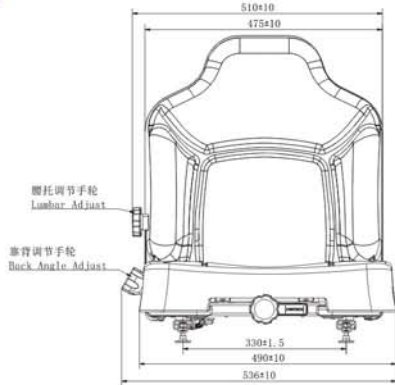
ES121F

特性描述 FEATURES

- 低减振座椅
- Shorter Suspension Seat
- 滑轨前后调节行程:144mm
- Fore and Aft Adjustment: 144mm
- 体重调节范围:40-130kgs
- Weight Adjustment:40-130kgs
- 带文件盒
- Document Box
- 面料:黑色 PVC
- Material: Black PVC
- 配套滑轨
- Slides

可选配件 OPTIONS

- 座椅开关
- Seat Switch
- 两点式安全带
- Two-points Seat Belt
- 腰托调节
- Lumbar Adjustment
- 靠背角度调节
- Back Angle Adjustment



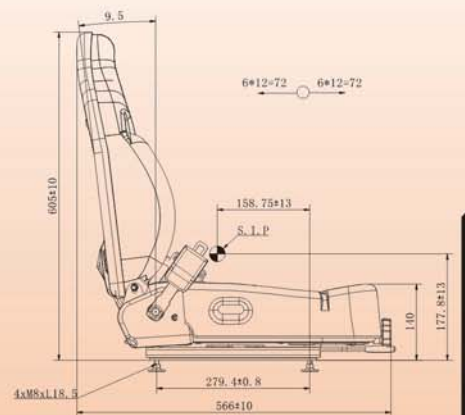
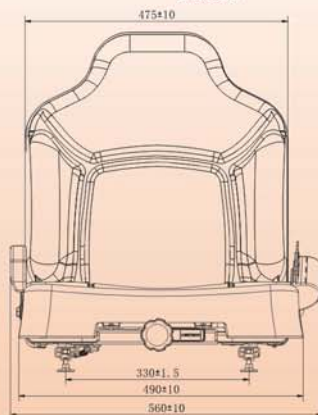
ES121G

特性描述 FEATURES

- 低减振座椅
- Shorter Suspension Seat
- 滑轨前后调节行程:144mm
- Fore and Aft Adjustment: 144mm
- 体重调节范围:40-130kgs
- Weight Adjustment:40-130kgs
- 可折叠靠背, 座椅背部带文件盒
- Folding Backrest with Document Box
- 面料:黑色 PVC
- Material: Black PVC
- 配套滑轨
- Slides

可选配件 OPTIONS

- 座椅开关
- Seat Switch
- 两点式安全带
- Two-points Seat Belt
- 腰托调节
- Lumbar Adjustment
- 靠背角度调节
- Back Angle Adjustment



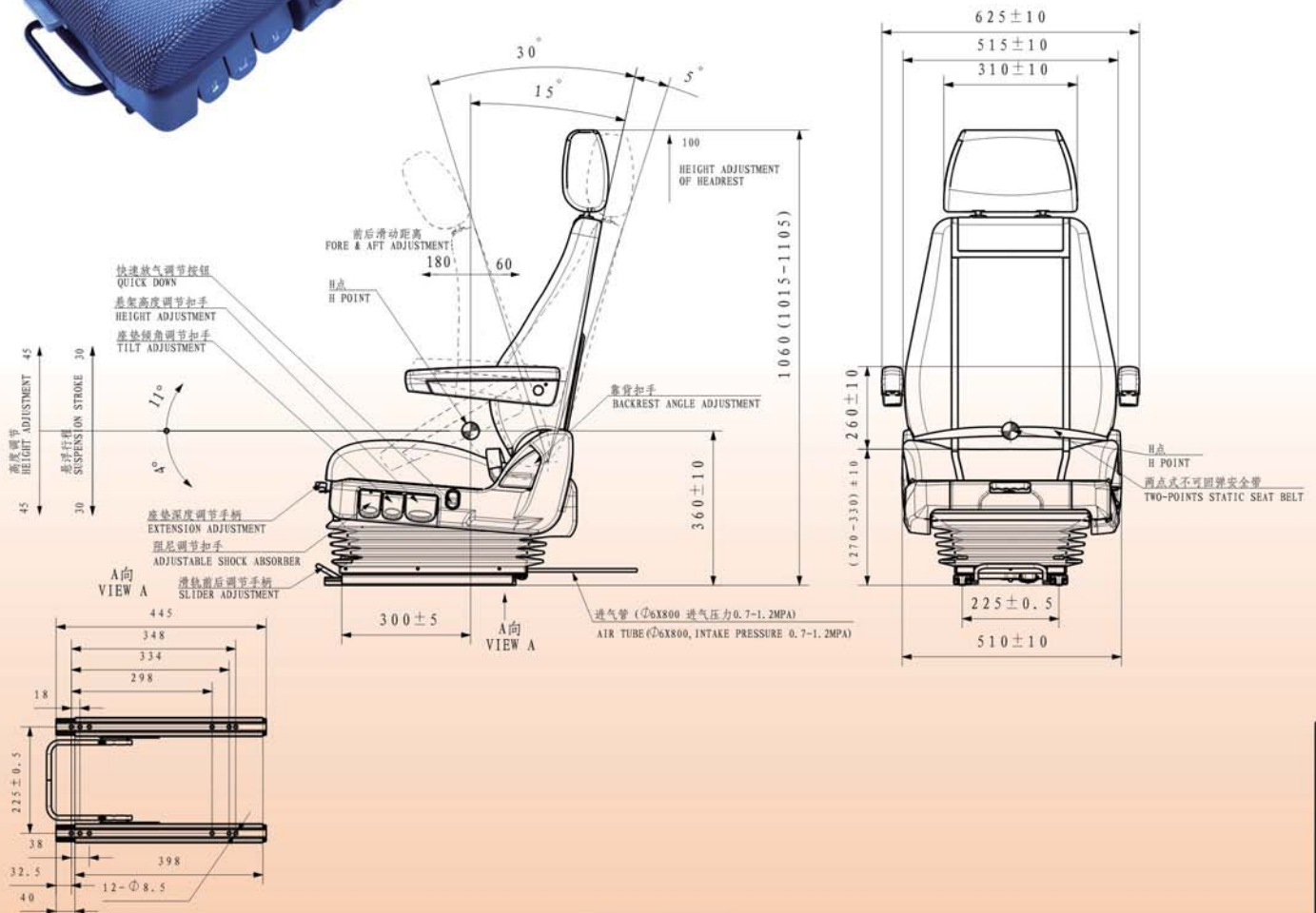
ES350L

特性描述 FEATURES

- 气囊减振, 减振行程>60mm
- Air Suspension, Stroke>60mm
- 滑轨前后调节行程: 240mm
- Fore and Aft Adjustment:240mm
- 体重调节
- Weight Adjustment
- 高度调节
- Height Adjustment
- 座椅靠背角度可调:75° -110°
- Back Angle Adjustment:75° -110°
- 座垫倾角调节:向下4° ,向上11°
- Cushion Tilt Angle Adjustment : Down 4° ,Up 11°
- 座椅深度调节:60mm
- Seat Depth Adjustment:60mm
- 两点式静态安全带
- Two-points Static Seat Belt
- 靠背带有文件袋
- Backrest with Document Pouch
- 面料:黑色布料
- Material: Black Fabric
- 配套滑轨
- Slides

可选配件 OPTIONS

- 座椅开关
- Seat Switch
- 安全带
- Seat Belt
- 座垫加热垫
- Cushion Heating Pad
- 扶手
- Armrest
- 头枕
- Headrest
- 两点式/三点式可回弹安全带
- Two-points or Three-points Retractable Seat Belt
- 面料:PVC
- Material: PVC





物料搬运设备 Material Handling Equipment



草坪护理设备 Turf Care Equipment



农业机械 Agricultural Machinery



建筑设备 Construction Equipment



清扫设备 Cleaning Scrubber and Sweeper



机场地勤设备 Airport Ground Support Equipment

无锡持胜车辆部件有限公司
Wuxi Everwin Vehicle Parts Co., Ltd

Tel: +86-510-88551617

Fax: +86-510-88551617

Email: Sales@everwinparts.com

Web: www.everwinseats.com www.ewseating.com

Add: NO.239 Xinzhou Road, Xinwu District, Wuxi, Jiangsu, China, 214112