



# 一站式采购中心

## ONE STOP PURCHASING CENTER

进口破碎机全系列配件供应商——重质量！守诚信！敢创新！

您的满意永远是我们的第一追求！  
Your satisfaction is always our first pursuit!



沈阳芬特矿山机械科技有限公司

SHENYANG FENTE MINING MACHINERY TECHNOLOGY CO., LTD



品质卓越，方能久远

”

Excellence in quality  
means longevity



## 企业介绍 Company introduction

沈阳芬特矿山机械科技有限公司成立于2008年，专业从事矿山机械及其破碎机配件的研究开发、生产销售、输送机配件和进出口业务的公司，质量上乘，性价比高，大程度的提高了使用寿命并降低了成本。

可满足客户对货期的要求，并且公司提供原装进口机器的维修、保养、翻新等相关服务，凭借便捷的交通运输网络，先进的生产设备，完善的管理制度，保证了我公司的产品质量与快速健康发展，赢得了广大客户的信赖，本公司具有大量现货，品种齐全。并得到了众多合作伙伴的信任与支持，通过不断的自身努力学习和招募人才，结合了老一辈多年来的生产经验，让产品质量有了新的飞跃和提高，达到同行业领先水平，用户遍及全国20多个省、市、自治区，并拥有自己的国际贸易团队，产品出口世界各地，深得国内外用户的一致好评。

主营产品为进口与国产破碎机配件，主要生产颚式破碎机配件（齿板、护板、压板等）圆锥破碎机配件（轧臼壁、破碎壁、分料盘、压套等）球磨机配件（衬板、钢球等）反击破碎机配件（板锤、衬板等）锤式破碎机锤头、辊式破碎机对辊等耐磨产品及各种耐磨合金配件。

公司企业本着以科技为先导，管理为基础，质量求生存，创新谋发展，信誉赢市场，实现客户利益价值最大化与企业成长最大化的双赢目标，以高质量的产品，优惠的价格竭诚为您服务，欢迎您的到来。

Shenyang Fente Mining Machinery Technology Co., Ltd., founded in 2008, is a company specializing in the research, development, production and sales of mining machinery and its crusher accessories, conveyor accessories and import and export business. It has high quality and cost-effective, greatly improving the service life and reducing costs.

It can meet the requirements of customers for the delivery period, and the company provides the repair, maintenance, renovation and other related services of the original imported machines. With the convenient transportation network, advanced production equipment, and perfect management system, it has guaranteed the quality of our products and rapid and healthy development, and won the trust of our customers. The company has a large number of stock, complete varieties. It has won the trust and support of many partners. Through constant efforts to learn and recruit talents, combined with the production experience of the older generation over the years, it has made a new leap and improvement in product quality, reaching the leading level in the industry. Its users have spread across more than 20 provinces, cities and autonomous regions in China, and it has its own international trade team. Its products are exported to all parts of the world, which has won unanimous praise from users at home and abroad.

The main products are imported and domestic crusher accessories, mainly producing jaw crusher accessories (tooth plate, guard plate, pressing plate, etc.) cone crusher accessories (rolling mortar wall, crushing wall, dividing plate, press sleeve, etc.) ball mill accessories (lining plate, steel ball, etc.) impact crusher accessories (plate hammer, lining plate, etc.) hammer crusher hammer, roller crusher opposite roll and other wear-resistant products and various wear-resistant alloy accessories.

Based on science and technology as the guide and management as the basis, the company strives for survival through quality, strives for development through innovation, wins the market through reputation, and achieves the win-win goal of maximizing the value of customers' interests and the growth of the enterprise. It wholeheartedly serves you with high-quality products and preferential prices, and welcomes your arrival.

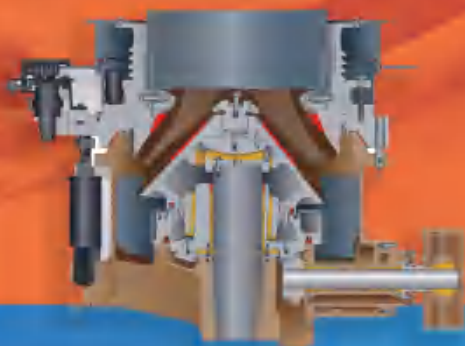




# 适用于多缸圆锥破碎机配件 SUITABLE FOR MULTI CYLINDER CONE CRUSHER ACCESSORIES



WhatsApp



油罐  
Oil Tank



齿轮  
Gear wheel



调整环  
Adjusting ring



动锥总成  
Moving cone assembly



动锥  
Moving cone



球面瓦  
Socket Liner



动锥锁紧螺母  
Moving cone lock nut



定锥总成  
Fixed cone assembly



架体衬套  
Frame bushing



配重护板  
Counterweight guard plate



主机架  
Main frame



传感器  
sensor



水平轴总成  
Horizontal axle box



切割环  
Cutting ring



动锥下铜套  
Moving cone under copper sleeve



大齿圈  
Big gear ring



调整套  
Adjusting sleeve



锁紧缸  
Locking cylinder



配重  
counterweight



偏心缸套  
Eccentric cylinder liner

## 适用破碎机型号: Applicable Crusher models:

FT products are widely applicable to the following crushing equipment brand

Metso®: HP100 HP200 HP300 HP400 HP500HP3 HP4 HP5 HP6 HP700 HP800 MP800 MP1000 MP1250GP100 GP11F GP200 GP300 GP100S GP200S GP300S GP220 GP330 GP500 GP500S GP550 GP7

Sandvik®: CH420 CH430 CH440 CS420 CS430 CS440 CS660CH550 CH660 CH870 CH840 CH880 CH890 CH895

Symons®: 2ft,3ft,4ft,4 1/4ft,5 1/2ft, 7ft

Terex®: C-1540 C-1540R C-1545 C-1545P C-1550 C-1550P C-1554

Telsmith®: T300 T400 T500 T900

Trio®: TP260 TP350 TP450 TP600 TP900

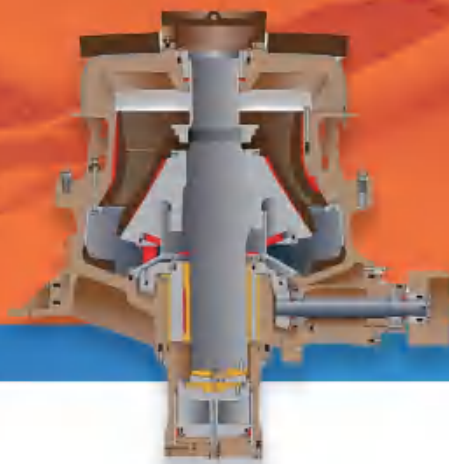
\*FT has no business relationship with the above brands\*

适用于单缸圆锥破碎机配件

SUITABLE FOR SINGLE CYLINDER  
CONE CRUSHER ACCESSORIES



WhatsApp



上架体总成  
Top Shell Assembly



动锥总成  
Head Assembly



偏心缸套总成  
Eccentric cylinder  
liner assembly



液压缸总成  
Hydraulic cylinder  
assembly



传动轴总成  
Pinionshaft Assembly



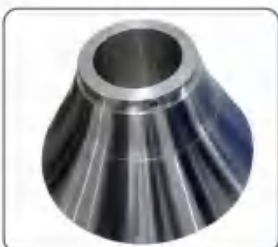
防尘罩  
Dust cover



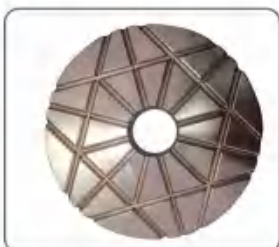
分料器  
Distributor



活塞  
Piston



动锥  
Head



耐磨盘  
Wear-resistant disc



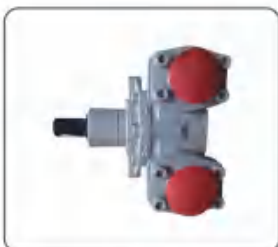
偏心钢套  
Eccentric



新款活塞耐磨盘  
New piston wear disk



锁紧螺母  
Locking Nut



单缸圆锥润滑油泵  
Single cylinder cone lubricating pump



臂架衬套  
Spider Bushing



V字型密封  
V-shaped seal



传感器  
Sensor



护甲  
Armor



减震器  
Shock absorber



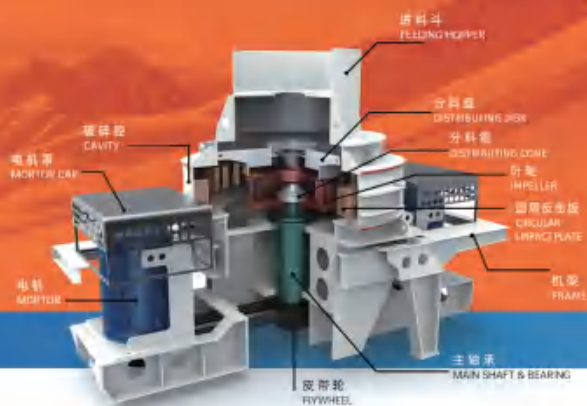
衬板  
Bowl Liner



适合立轴式冲击破碎机配件  
SUITABLE FOR VERTICAL  
SHAFT IMPACT CRUSHER



WhatsApp



叶轮  
impeller



制砂机外罩总成  
Casing assembly



三角形总成  
Triangle assembly



液压缸总成  
Hydraulic cylinder assembly



主轴  
Main Shaft



立护板  
Vertical guard plate



流道板  
Runner plate



抛料头  
Spreader head



护刀  
Guard knife



下料桶  
Blanking bucket



减震器  
Shock absorber



抛料头  
Spreader head



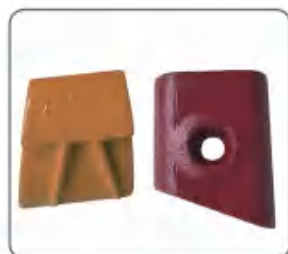
抛料头  
Spreader head



流道板  
Runner plate



耐磨块  
Wear-resistant block



冲击块  
Impacting block



制砂机支架  
Sand machine support



分料锥  
Separator cone

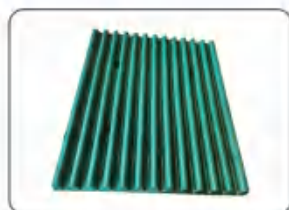


主轴端盖  
Spindle end cap



配件  
attachment

适用于颚式破碎机配件  
SUITABLE FOR JAW CRUSHER  
ACCESSORIES



齿板  
Jaw Plate



边护板  
Side guard plate



动颚  
Movable jaw



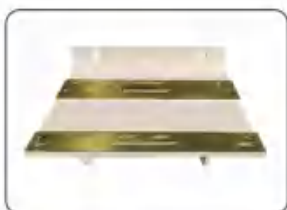
后端  
rear-end



皮带轮  
Belt pulley



动颚保护板  
Guard plate



电机支架  
Motor support



拉杆  
Tie Rod



拉杆轴承  
Tie rod bearing



联轴器  
coupling



齿板保护板  
Tooth plate protection plate



下料斗  
Bottom hopper



调整斜铁  
Adjusting bevel



主轴  
Main Shaft



动板楔块  
Moving plate wedge



液压缸  
Hydraulic cylinder



轴承衬套  
Bearing bushing



肘板  
bracket



密封环  
Sealing ring



吊装工具  
Lifting tool

适用破碎机型号: **Applicable Crusher models:**

FT products are widely applicable to the following crushing equipment brand:

Metso®: C63 C80 C95 C96 C106 C100 C110 C116 C120C125 C130 C140 C145 C150 C160 C200

Sandvik®: CJ408 CJ409 CJ411 CJ412 CJ612 CJ612 CJ613CJ615 CJ815 JM806 JM907 JM1108JM1206

JM1208 JM1211 JM1312 JM1511 JM1513

Terex®: J-1170 J-1175 J-1170AS J-1160 J-960 J-1480

Telsmith®: H2238 H2550 H3244 H3450

Trio®: CT1030 CT1040 CT1048 CT1252 CT2036 CT2436 CT3042 CT3254CT3254B CT3648 CT4254 CT4763 CT6080

\*FT has no business relationship with the above brands\*



适用于旋回式破碎机配件  
SUITABLE FOR ROTARY CRUSHER  
ACCESSORIES



WhatsApp



上衬板  
Upper lining plate



衬板  
Lining plate



衬套  
bushing



上架体  
Top Shell



主轴总成  
Main Shaft Assembly



中架体  
Middle frame



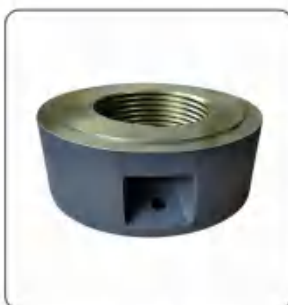
旋回臂架衬套  
Boom bushing



锁紧螺母  
Lock nut



锁紧螺母  
Lock nut



锁紧螺母  
Lock nut



齿轮  
Adjusting bevel



压块  
briquetting



活塞耐磨盘  
Piston disc



主轴护套  
Main Shaft Bushing



防尘圈  
Dust ring

适用破碎机型号: **Applicable Crusher models:**

FT products are widely applicable to the following crushing equipment brand

Metso®:S42-65 S54-75 S60-89 S60-110

Sandvik®:CG650 CG820CG840 CG850 CG880

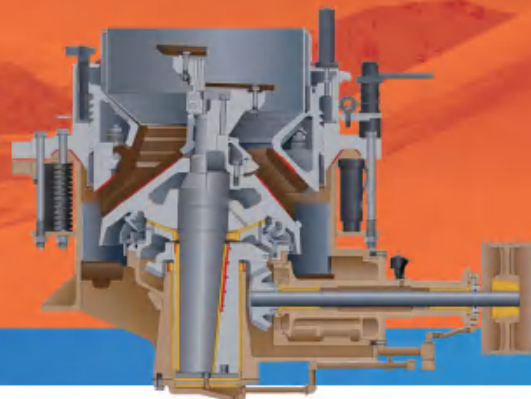
\*FT has no business relationship with the above brands\*



适用于弹簧破碎机配件  
SUITABLE FOR SPRING CRUSHER  
ACCESSORIES



WhatsApp



主轴  
Main Shaft



皮带轮  
Belt pulley



躯体  
soma



碗型瓦  
Bowl-shaped tile



机架衬套  
Frame bushing

弹簧  
spring



锁紧螺母  
Lock nut

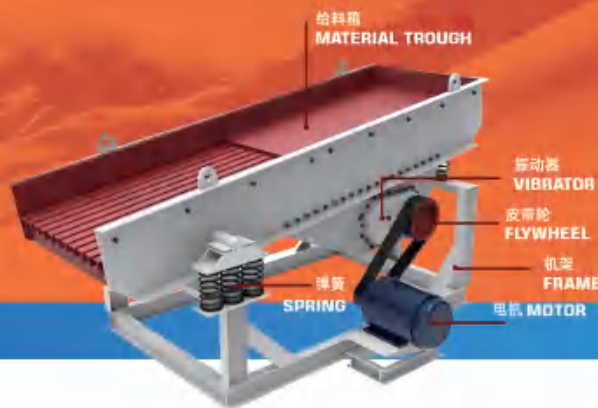


分料盘  
Distributing tray

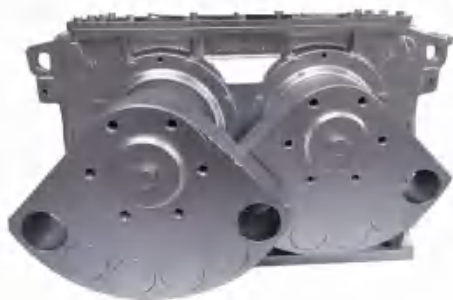


传动轴箱  
Drive axle box

适用于振动筛配件  
SUITABLE FOR VIBRATING  
SCREEN ACCESSORIES



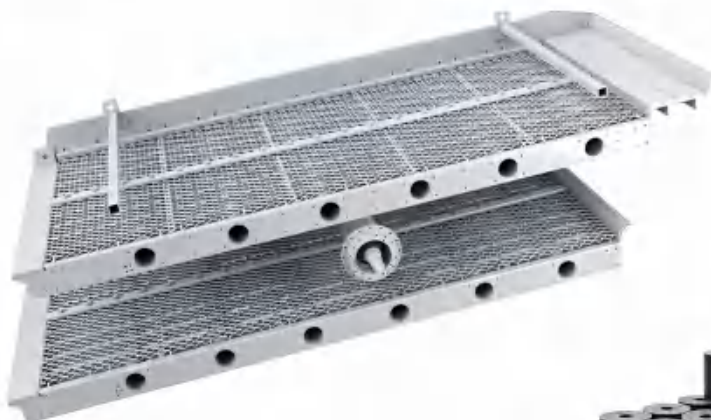
激振器  
Vibration exciter



涨紧板  
Tightening plate



振动筛轴承  
Vibrating screen bearing



密封条  
Sealing strip



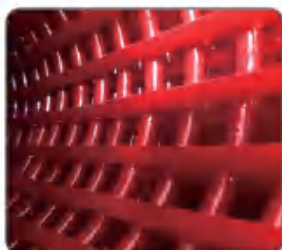
振动筛激振器  
Shaker exciter



橡胶弹簧  
Rubber spring



聚氨酯筛网  
Polyurethane screen



聚氨酯筛网  
Polyurethane screen



振动筛弹簧  
spring



编制筛网  
screening

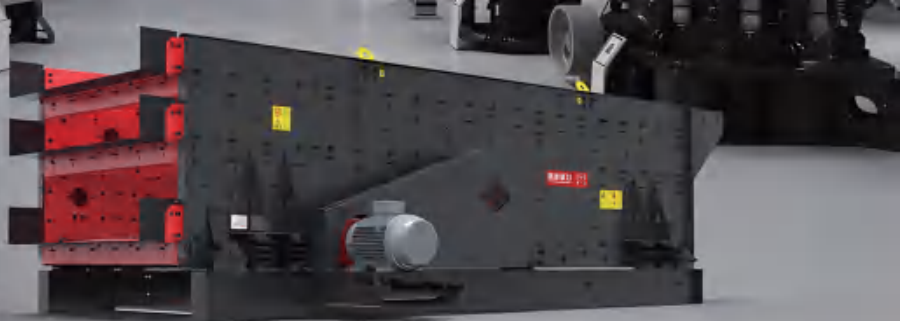


传动轴  
Driving shaft

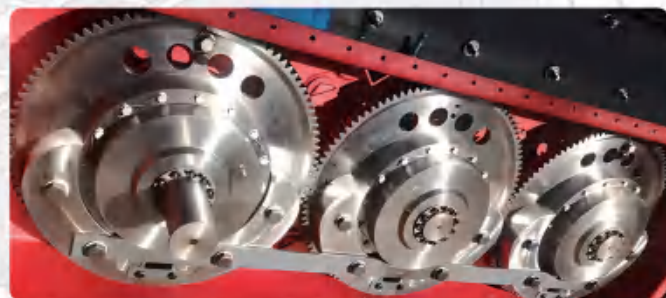




# 适用于三轴椭圆振动筛 SUITABLE FOR TRIAXIAL ELLIPTICAL SCREEN PARTS



激振器  
Vibration exciter



# 适用于棒条式给料机配件 SUITABLE FOR ROD FEEDER ACCESSORIES



棒条  
bar



轴承  
bearing



电机  
Electric machine



齿轮  
Gear wheel



WhatsApp



● 諾德伯格®  
旋回圓錐  
42-65  
50-65  
62-75

● 美卓  
諾德伯格®  
HP系列  
HP100  
HP200  
HP300  
HP400  
HP500

● 美卓  
諾德伯格®  
MP系列  
MP800  
MP1000  
MP1250

● 美卓  
諾德伯格®  
C系列  
C80  
C96  
C100  
C110  
C125

● 美卓  
諾德伯格®  
NP系列 HSI  
NP1110  
NP13  
NP15  
NP20

● 美卓  
諾德伯格®  
GP系列  
GP100  
GP200  
GP300  
GP500

● 西蒙斯  
標準&短頭  
諾德伯格®  
2FT  
3FT  
4FT4-1/4FT  
5-1/2FT  
7FT

● 山特維克®  
CJ系列  
CJ408  
CJ411  
CJ412  
CJ612

● 山特維克®  
CH系列  
CH430  
CH440  
CH540  
CH660  
CH870

● 山特維克®  
CS系列  
CS440  
CS660

## 品牌支持 BRAND SUPPORTED

● MPRDBERG®  
GYRATORY  
42-65  
50-65  
62-75

● METSO  
NORDBERGG®  
HP SERIES  
HP100  
HP200  
HP300  
HP400  
HP500

● METSO  
NORDBERGG®  
MP SERIES  
MP800  
MP1000  
MP1250

● METSO  
NORDBERGG®  
C SERIES  
C80  
C96  
C100  
C110  
C125

● METSO  
NORDBERGG®  
NP SERIES HSI  
NP1110  
NP13  
NP15  
NP20

● METSO  
NORDBERGG®  
GP SERIES  
GP100  
GP200  
GP300  
GP500

● SYMONS  
STD&SHHD  
NORDBERG®  
2FT  
3FT  
4FT  
4-1/4FT  
5-1/2FT  
7FT

● SANDVIK®  
CJ SERIES  
CJ408  
CJ411  
CJ412  
CJ612

● SANDVIK®  
CH SERIES  
CH430  
CH440  
CH540  
CH660  
CH870

● SANDVIK®  
CS SERIES  
CS440  
CS660

适用破碎机型号 **APPLICABLE CRUSHER MODEL**

**CONE CRUSHER · JAW CRUSHER · VSL CRUSHER**

**GYRATORY CRUSHER · HSI CRUSHER · SAG MILL · TOWER MILL**

FT products are widely applicable to the following crushing equipment brand

**METSO®/ SANDVIK® SYMONS®/ TEREX®/ TELSMITH®/ TRIO®/ KRUPP®**

\*FT has no business relationship with the above brands\*

沈阳芬特矿山机械科技有限公司  
Shenyang Fente Mining Machinery Technology Co., Ltd

手机: +86 13844944528 +86 13756537698

Whatsapp: +8613844944528

地址: 辽宁省沈阳市于洪区洪海路53-3号

邮箱: fengshiguo@fentejixie.com

