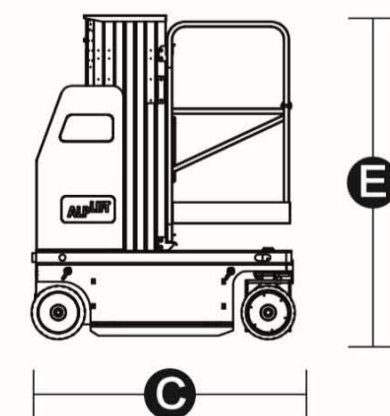
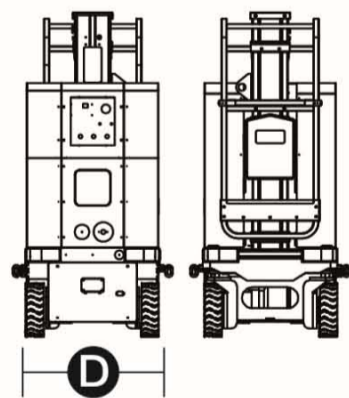
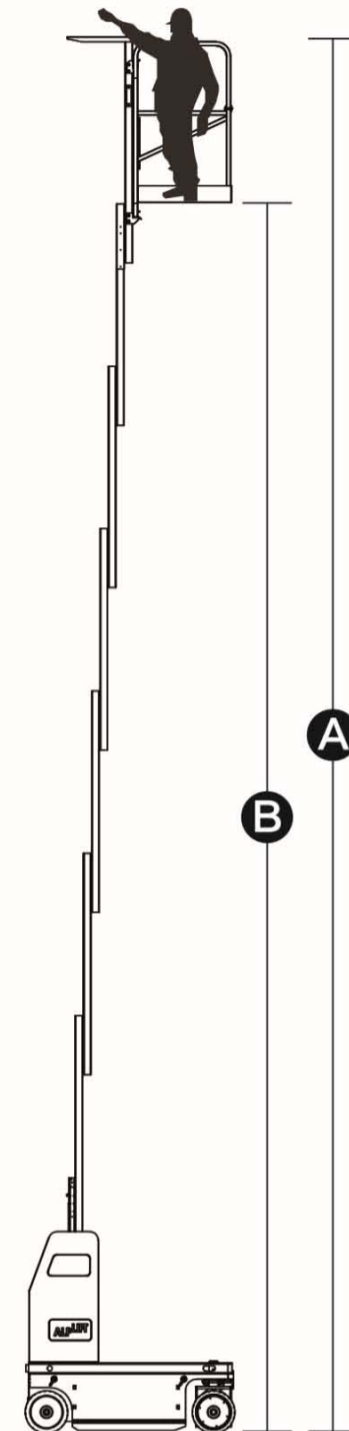


Model	MG600-1S	MG750-1S
Lift capacity	125kg	125kg
Working height max A	8m	9.5m
Platform height max B	6m	7.5m
Stowed length C	1.36m	1.36m
Stowed width D	0.79m	0.79m
Stowed height E	2.08m	2.08m
Platform size	0.78*0.70m	0.78*0.70m
Ground clearance	0.05m	0.05m
Wheelbase	1.15m	1.15m
Gradeability	25%	25%
Maximum Working Slope	1.5°	1.5°
Driving Wheel	Φ305*100m	Φ305*100m
Front tire	Φ305*100m	Φ305*100m
Driving motor	2*24V/0.4kw	2*24V/0.4kw
Lifting motor	24V/2kw	24V/2kw
Power source	2*12V/115Ah	2*12V/115Ah
Charger	24V/12A	24V/12A
Weight	1102kg	1162kg

Model	MG750-2S	MG900-2S
Lift capacity	200kg	150kg
Working height max A	9.5m	11m
Platform height max B	7.5m	9m
Stowed length C	1.5m	1.5m
Stowed width D	1.0m	1.0m
Stowed height E	2.08m	2.08m
Platform size	1.00*0.70m	1.00*0.70m
Ground clearance	0.05m	0.05m
Wheelbase	1.28m	1.28m
Gradeability	25%	25%
Maximum Working Slope	3°	3°
Driving Wheel	Φ305*100m	Φ305*100m
Front tire	Φ305*100m	Φ305*100m
Driving motor	2*24V/0.5kw	2*24V/0.5kw
Lifting motor	24V/2kw	24V/2kw
Power source	2*12V/115Ah	2*12V/115Ah
Charger	24V/12A	24V/12A
Weight	1170kg	1345kg


STANDARD CONFIGURATIONS

- Proportional Control
- Drivable at Full Height
- Fault Diagnose System
- Automatic Brake System
- Brake Release
- Auxiliary Lowering System
- Anti-Dust Cover on Mast
- Emergency Stop Button both on Platform and Ground
- Forklift Slots

OPTIONAL CONFIGURATIONS

- AC Power to Platform
- Platform Working Light
- Extension Platform
- Platform Positioning Laser Lights
- Overloading Sensor
- Saloon-door style entry gates/Top Open Door


CHENLIFT(SUZHOU) MACHINERY CO., LTD.

Add: No.28 Yongchang Road Xiangcheng District Suzhou Jiangsu China

Tel/Fax: 0086-512-6733 9762

Whatsapp: 0086-13951119762

Email: sales@chinaliftplatform.com

 Website: <https://www.chinaliftplatform.com>


For more information, please add my whatsapp.