



液压科技
Hydraulic technology

2004-2024

添加微信>



1.逻辑阀样本



2.螺纹插装阀样本

www.nbzhanyue.com

地址：宁波市镇海区蛟川街道彩炼路9号



企业简介 Company profile

引言Introduction

我们的业务 Our Business

主要产品有：螺纹式插装阀（电磁开关阀、电磁比例阀、方向阀、流量控制阀、压力控制阀）、ZY-LC系列逻辑阀、ZY-LCV系列逻辑阀、ZY-TJ系列逻辑阀、及注塑机用安全阀等，广泛应用于工程机械，农机、叉车、塑机、压铸机、锻压机床、冶金、矿山、机床、挖掘机船舶制造业、化工、航天及其他液压系统。且是一家专业生产螺纹插装阀、工程机械阀、集成阀块组，农林机械阀、以及各种型号规格二通插装逻辑阀与盖板的高新技术企业。

The main products are: screw-type cartridge valves (solenoid switch valve, solenoid proportional valve, directional valve, flow control valve, pressure control valve), ZY-LC series of logic valves, ZY-LCV series of logic valves, ZY-TJ series of logical valves, and safety valves for injection molding machines, which are widely used in engineering machinery. Agricultural machinery, forklifts, plastic machines, die-casting machines, forging machine tools, metallurgy, mining, machine tools, excavators, shipbuilding, chemical industry, aerospace and other hydraulic systems. It is a new technology enterprise specializing in the production of threaded cartridge valves, mechanical valves, integrated valve blocks, agricultural and forestry mechanical valves, as well as various types and specifications of plug-in logic valves and cover plates.



关于我们 About us

宁波展跃液压科技有限公司成立于2004年，目前公司占地面积10000m²，拥有120余名员工，研发设计人员12名，公司还配备了多种测试、检测仪器，可以对圆柱度、粗糙度、内外径尺寸、产品硬度、弹簧寿命和力值、产品的高清投影放大等多方面数据进行有效检测。

展跃液压于2015年通过ISO9001质量认证体系，本公司从生产到标准合格品整体运行均应用ERP管理，对质量有着严格要求，参照国标、行标等，可根据客户要求可以对产品有针对性的进行百万次性能测试。从而使品质有着保证，提高了产品的可靠性。

Ningbo Zhanyue Hydraulic Technology Co., Ltd. was established in 2004. At present, the company covers an area of 10000 square meters, has more than 120 employees, 12 R & D and design personnel, and is equipped with a variety of testing and detection instruments. It can effectively detect cylindricity, roughness, inner and outer diameter, product hardness, spring life and force value, high-definition projection and amplification of products and other data. Zhanyue Hydraulic passed the ISO9001 quality certification system in 2015. The company applies ERP management from production to the overall operation of standard qualified products, and has strict requirements on quality. With reference to national standards and industry standards, millions of performance tests can be carried out on products according to customer requirements. Thereby ensuring the quality and improving the reliability of the product.



经验
• Experience



服务
• Service



合作
• Cooperation



团队
• Group



我们的产品

Our Products (part 2) 我们的产品 (第2部分)

Our Products

方向阀 Directional Valve



流量阀 Flow Valve



压力阀 Pressure valve



电磁阀 Solenoid valve



三位四通电磁阀
Three-position four-way solenoid valve

二位四通电磁阀
Two-position four-way solenoid valve



二位三通电磁阀
Two-position three-way switch Solenoid valve



二位二通电磁阀
Two-position two-way solenoid valve



我们的产品

Our Products (part 1) 我们的产品 (第1部分)

Counterbalance valve
平衡阀



ZY-LC



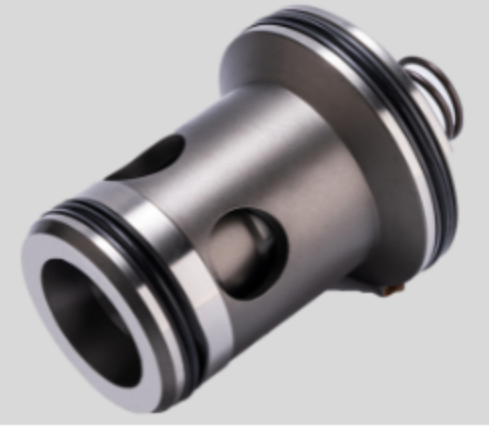
Our Products

二通插装阀 Two-way cartridge valve

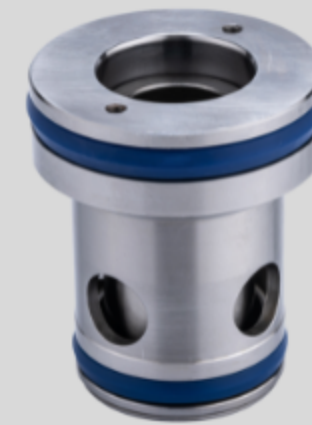
ZY-TJ



ZY-CVI



ZY-CS



ZY-CE



ZY-LCV

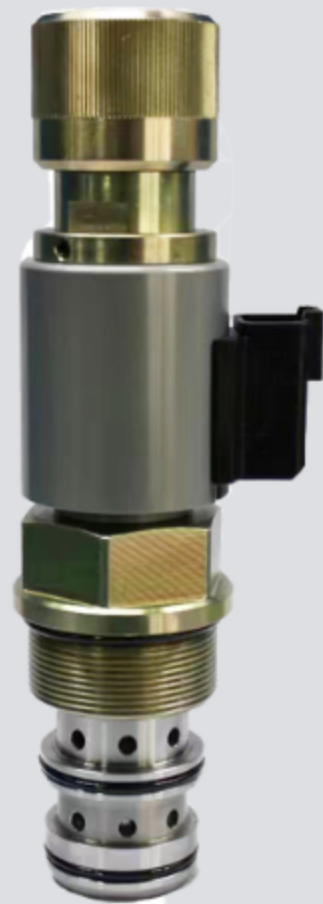
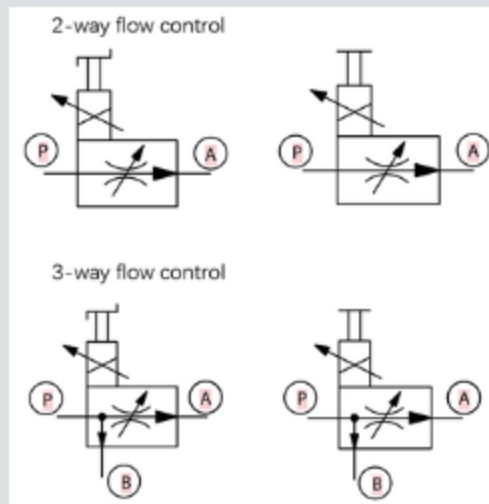


我们的产品

Our Products (part 3)
我们的产品 (第3部分)

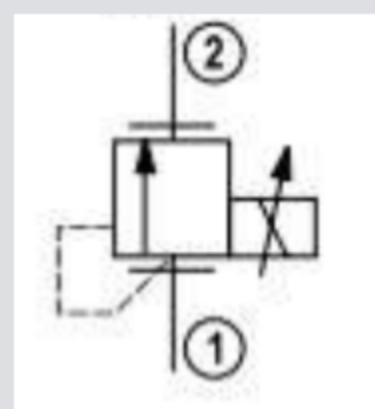
ZY-SRCB

Cavity:
ZY-CSRCB3



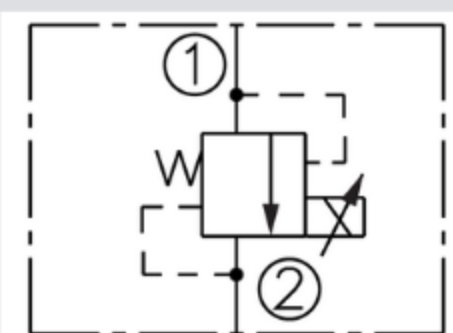
ZY-KBPSP8AA

Cavity:
ZY-T-8A



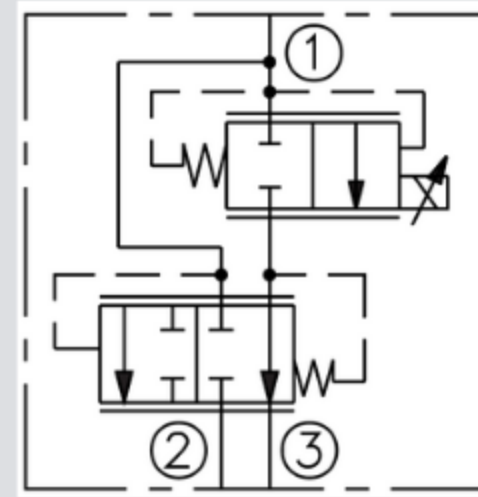
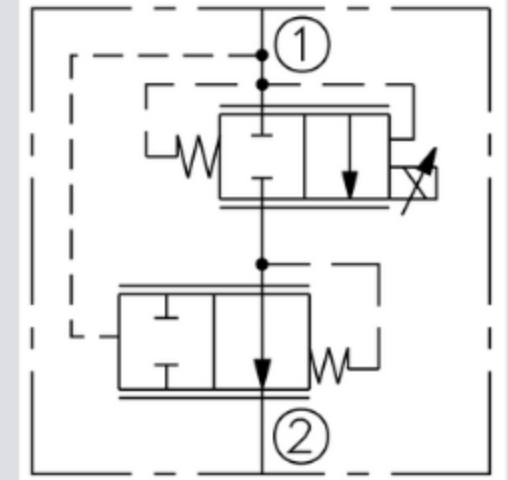
ZY-TS38-21

Cavity:
ZY-VC08-2



ZY-PV72-20

Cavity:
ZY-VC12-2



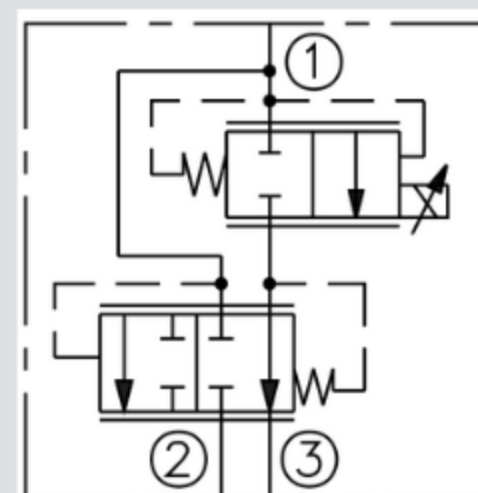
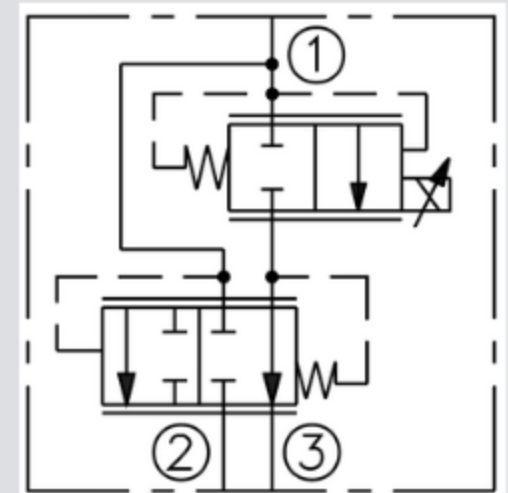
ZY-PV72-30

Cavity:
ZY-VC12-3



ZY-PV76-30

Cavity:
ZY-VC16-3



ZY-PV70-30

Cavity:
ZY-VC10-3

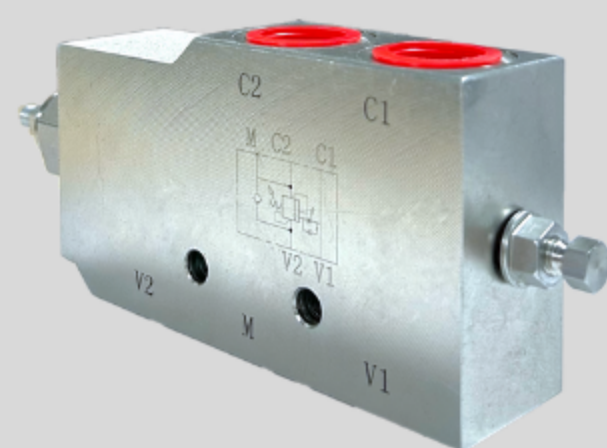


我们的产品

Our Products (part 4)

我们的产品 (第4部分)

Balance valve block
平衡阀块



Diverter and collector valve
分流集流阀

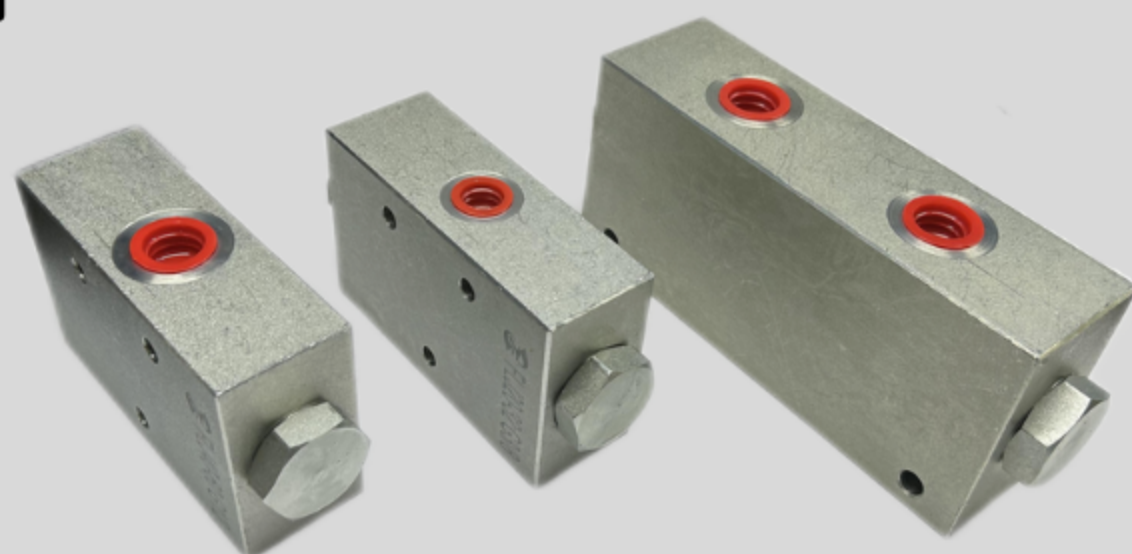
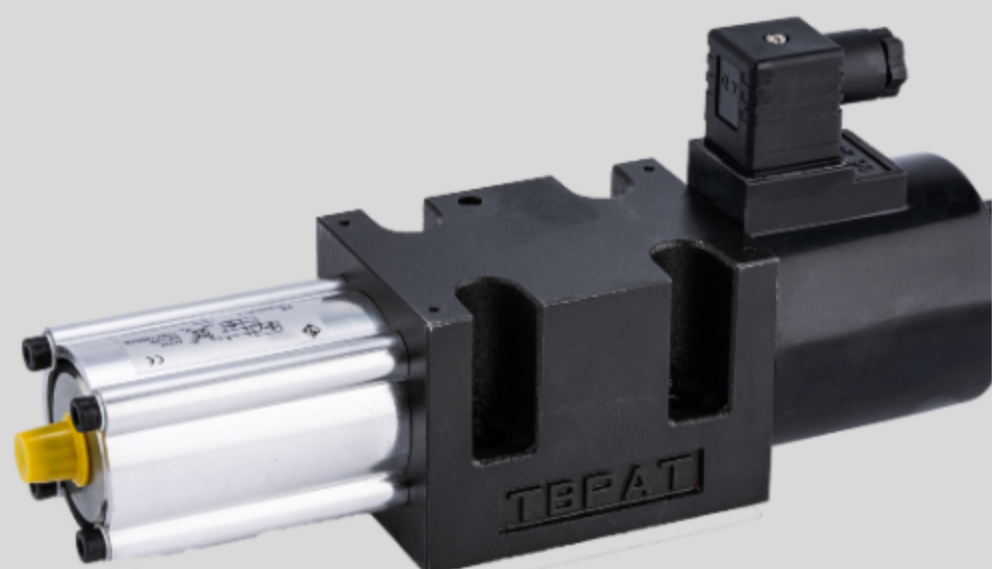


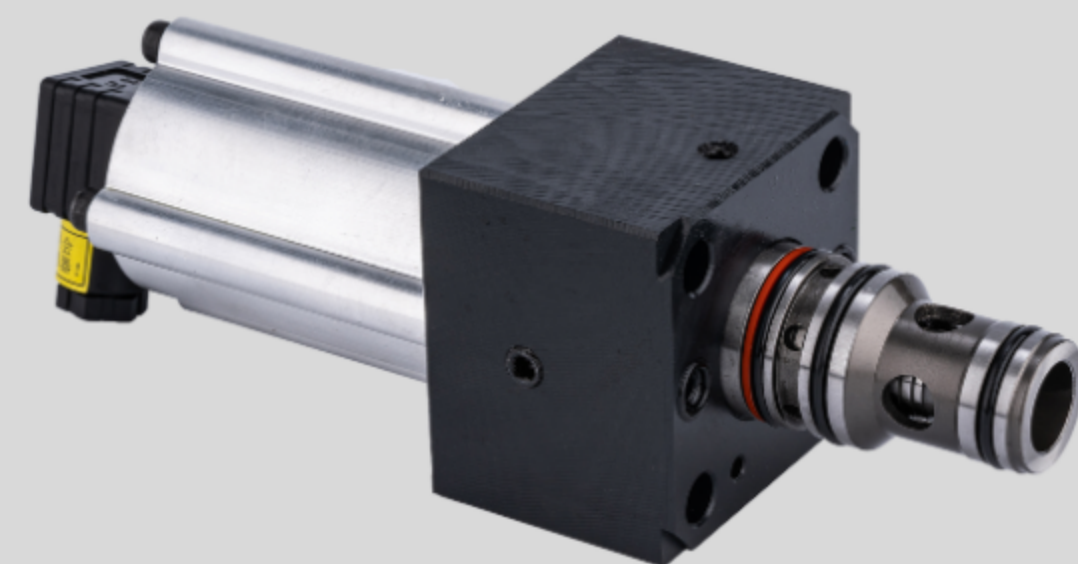
Plate safety valve
板式安全阀

ZY-SWHPS

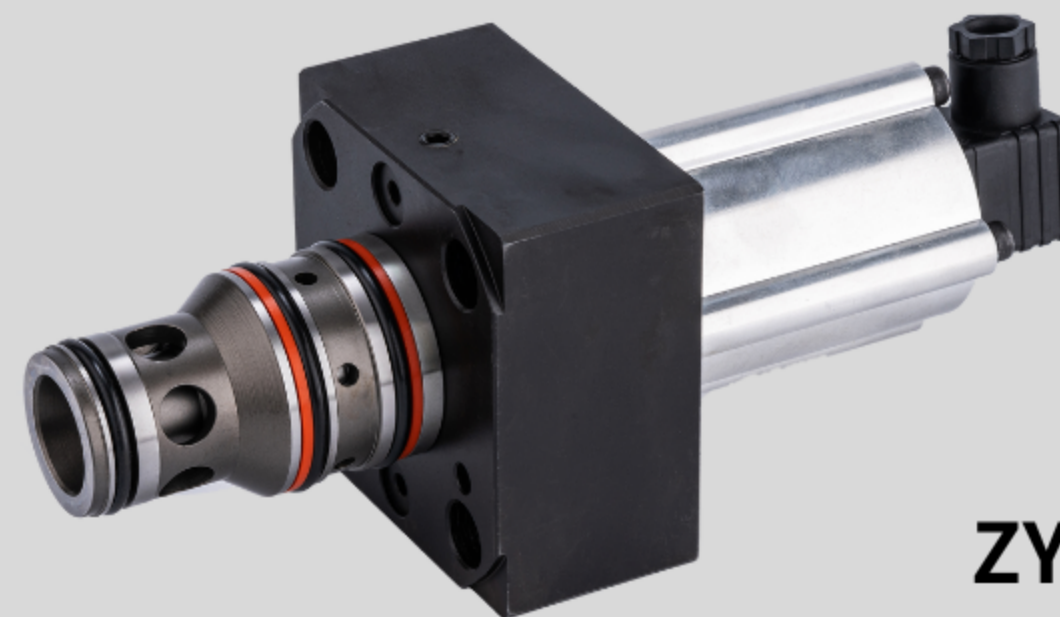


二通插装式安全阀 Two-way cartridge safety valve

ZY-LSV16H



ZY-LSV25H



ZY-LSV25AX



ZY-LSV32H

