

TIANCHENG
www.china-tc.com



天成自控
TIANCHENG CONTROLS



*SC Series Seats for
Construction*

www.china-tc.com



*SN Series Seats for
Agricultural*

SC

工程机械座椅系列

SC Series Seats for Construction Machinery

SN

农业机械座椅系列

SN Series Seats for Agricultural Machinery

公司简介

浙江天成自控股份有限公司成立于1992年，专业从事车辆座椅研发、生产、销售和服务，主要产品包括工程机械座椅、商用车座椅、农用机械座椅、乘用车座椅、高铁座椅、飞机座椅和儿童安全座椅。2015年6月30日，公司在上海证券交易所成功上市，股票代码：603085。

公司以全球的视野引进人才、重视人才，组成了一支事业心强，经验丰富的核心管理团队。公司不断吸收国内外先进的管理理念，联系自身实际，不断总结，不断提炼，在技术、生产、质量、财务和人力资源等方面建立了一套完善的、行之有效的管理体系。公司的愿景是成为世界一流的高附加值座椅专业供应商。



ISO/TS16949 认证
ISO/TS16949 Certification

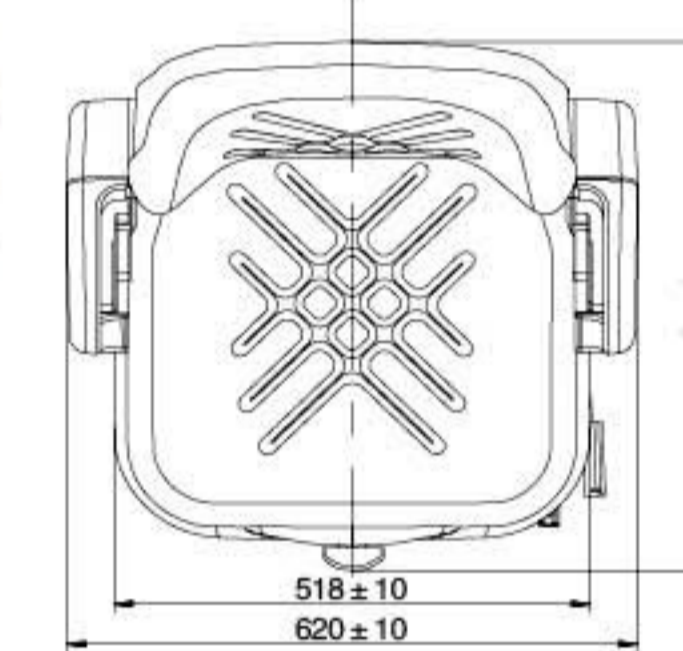
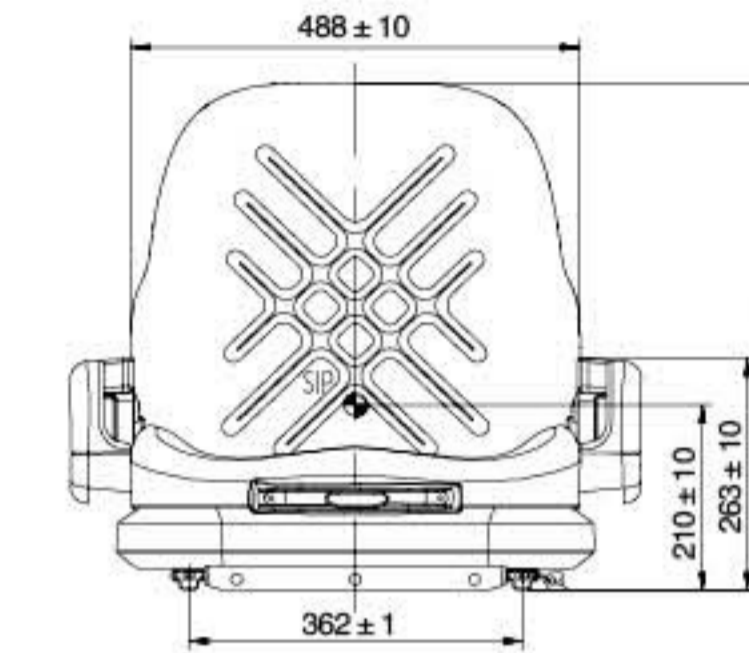
COMPANY PROFILE

Founded in 1992, Zhejiang Tiancheng Controls Co., Ltd specializes in developing, manufacturing, selling and providing service support for all kinds of vehicle seats. Its main products include construction machinery seats, commercial vehicle seats, agricultural machinery seats, passenger car seats, aircraft seats, high-speed train seats and child car seats. Tiancheng Controls has got IPO and listed in SSE since June 30.2015, and Stock Ticker No is 603085.

By introducing talents and stressing talents from a global vision, we have formed a highly experienced core management team. Through continuous assimilation of modern management concepts at home and abroad and based on our actual condition, Tiancheng has been making summary constantly and has put into place a mature, effective management system targeted at our technology, production, quality, finance and human resource as well as other aspects. Now we are dedicated to turning Tiancheng into a world-class, professional supplier of seats with high additional value.



SC24



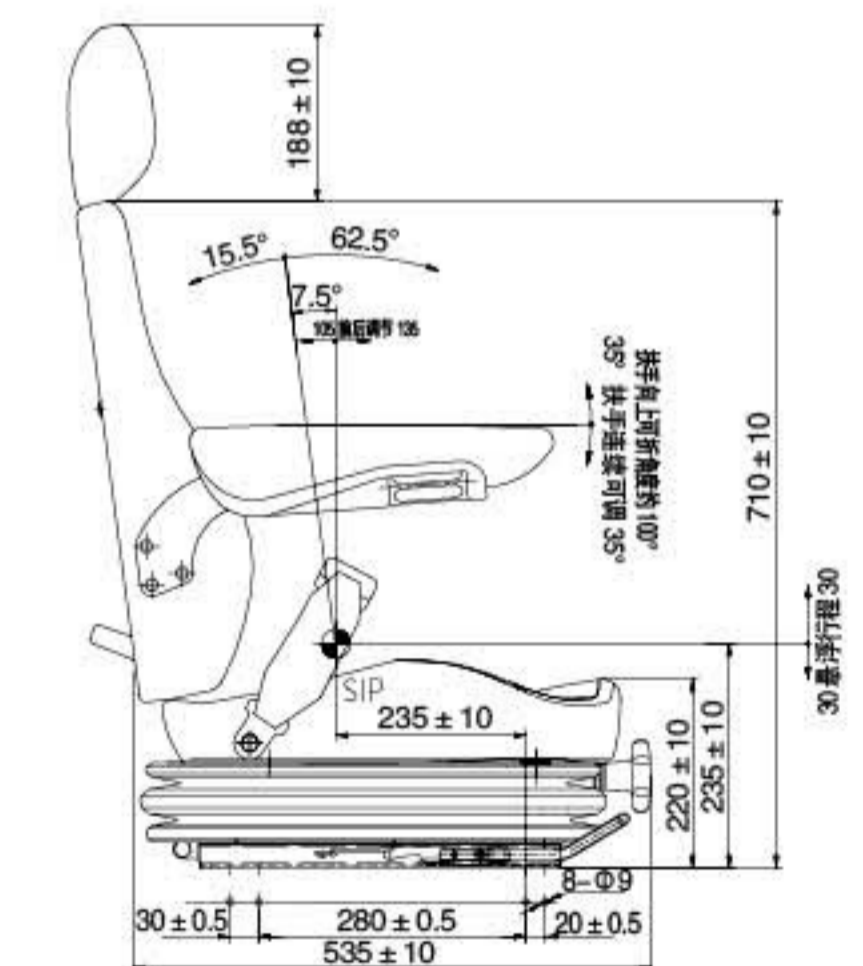
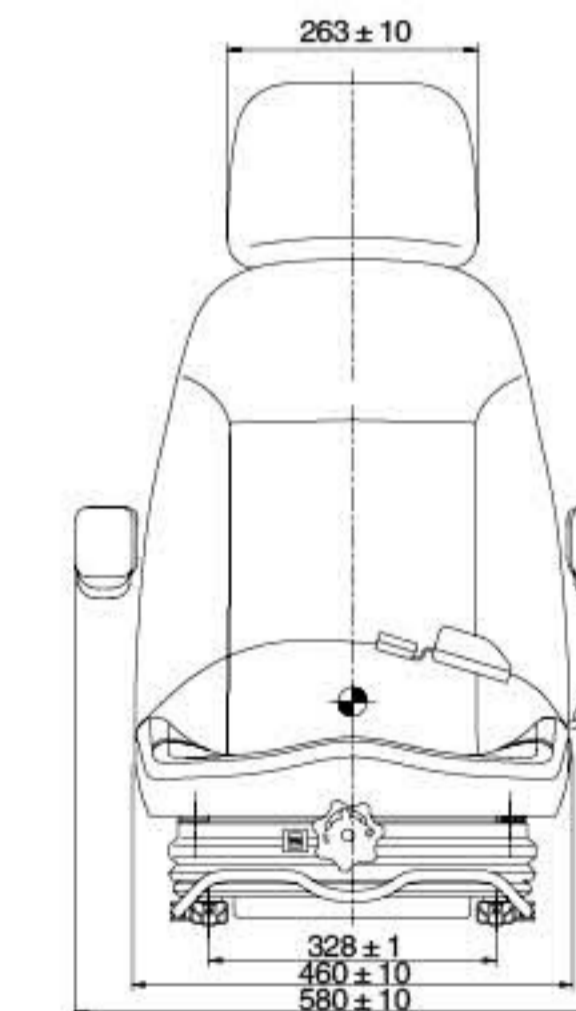
可选附件 Options

- 安全带 Seat belt
- 扶手 Armrest
- 电锁 OPS

- 体重调节 Weight adjust: 50-110kg
- 靠背角度调节 Backrest angle adjustment: 30°
- 靠背向前折叠 Backrest folding forward
- 前后调节 Fore & Aft adjust: 160mm
- 减振行程 Suspension stroke: 40mm
- 座椅参考点垂直高度 Vertical height of SIP: 210mm



SC25

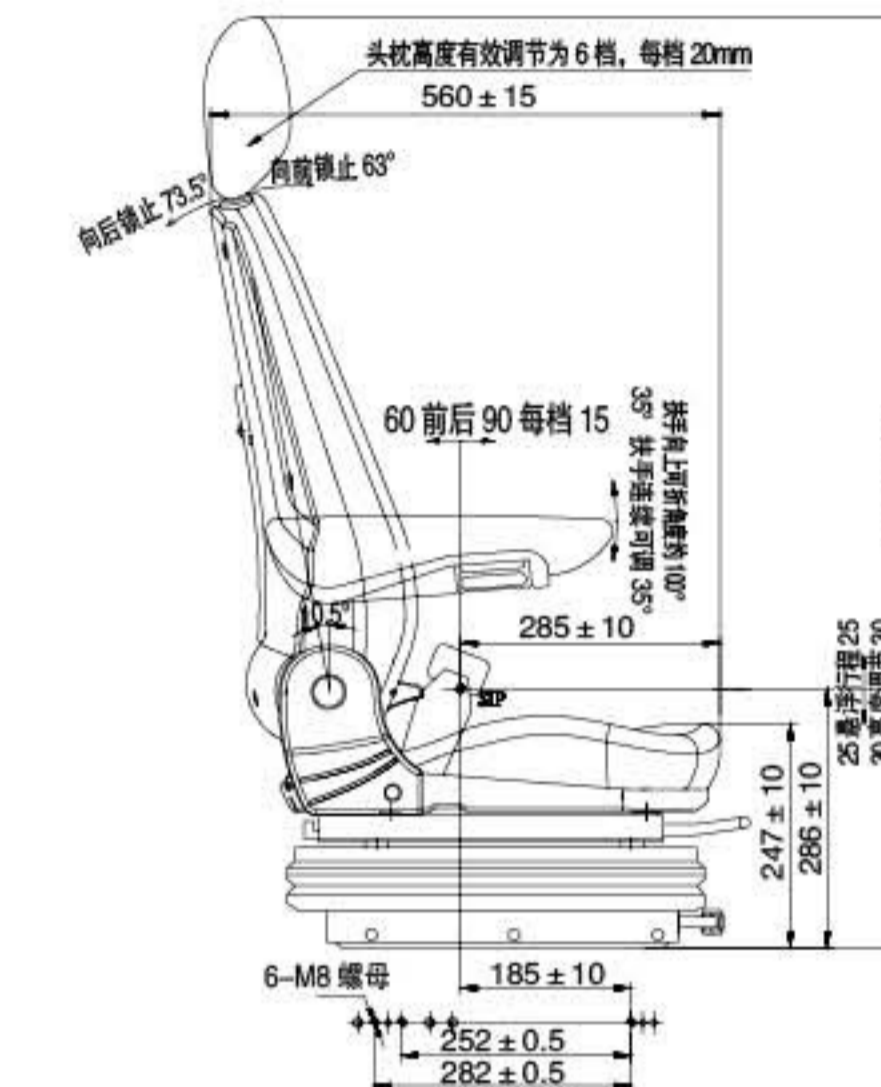


- 体重调节 Weight adjust: 50-130kg
- 减振行程 Suspension stroke: 60mm
- 前后调节 Fore & Aft adjust: 240mm
- 靠背角度调节 Backrest angle adjust: 23°
- 靠背向前折叠 Backrest folding forward
- 座椅参考点垂直高度 Vertical height of SIP: 235mm

- 可选附件 Options
- 安全带 Seat belt
- 头枕 Headrest
- 扶手 Armrest
- 电锁 OPS
- 腰调 Lumbar support



SC27

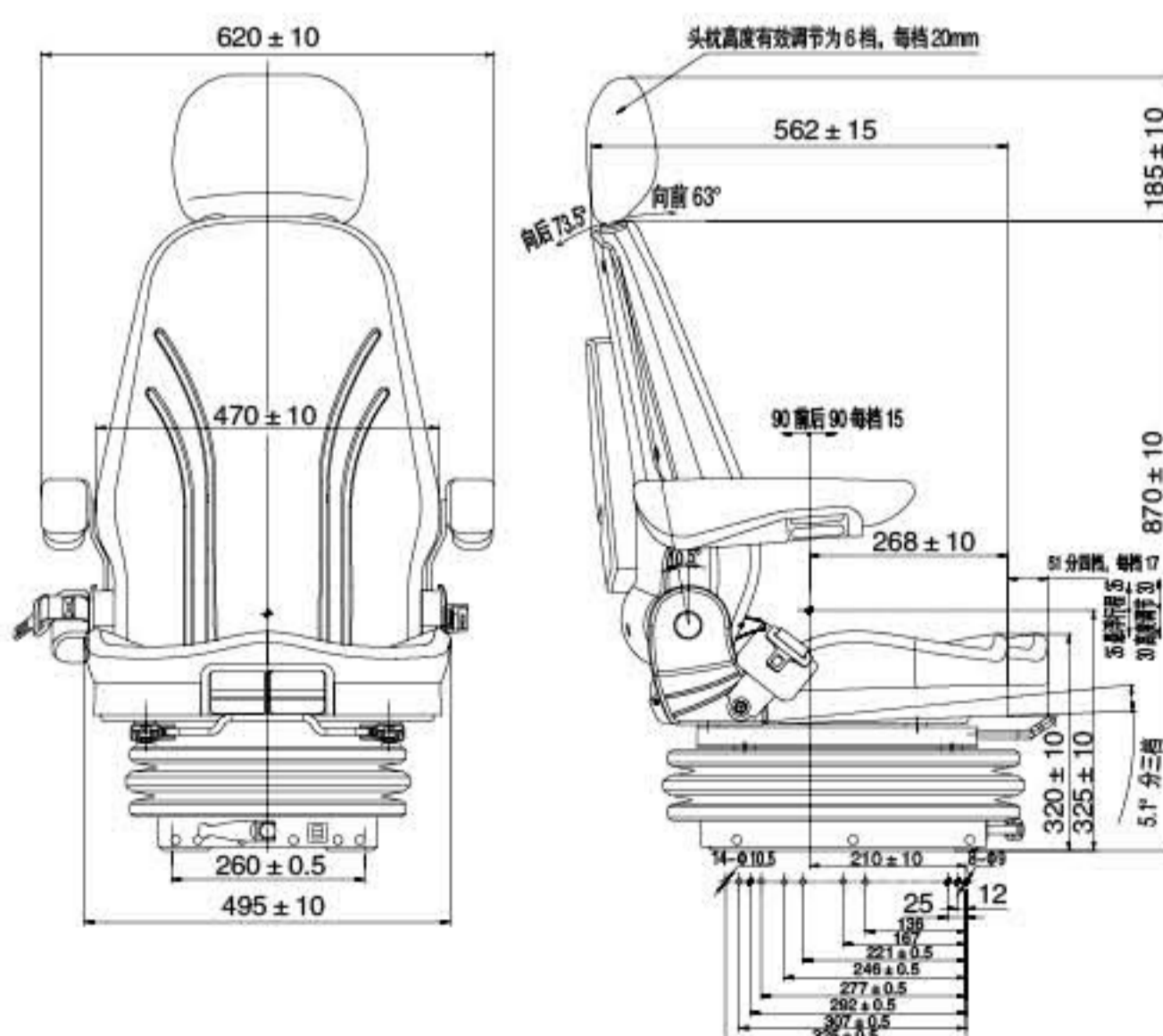


SC27-1



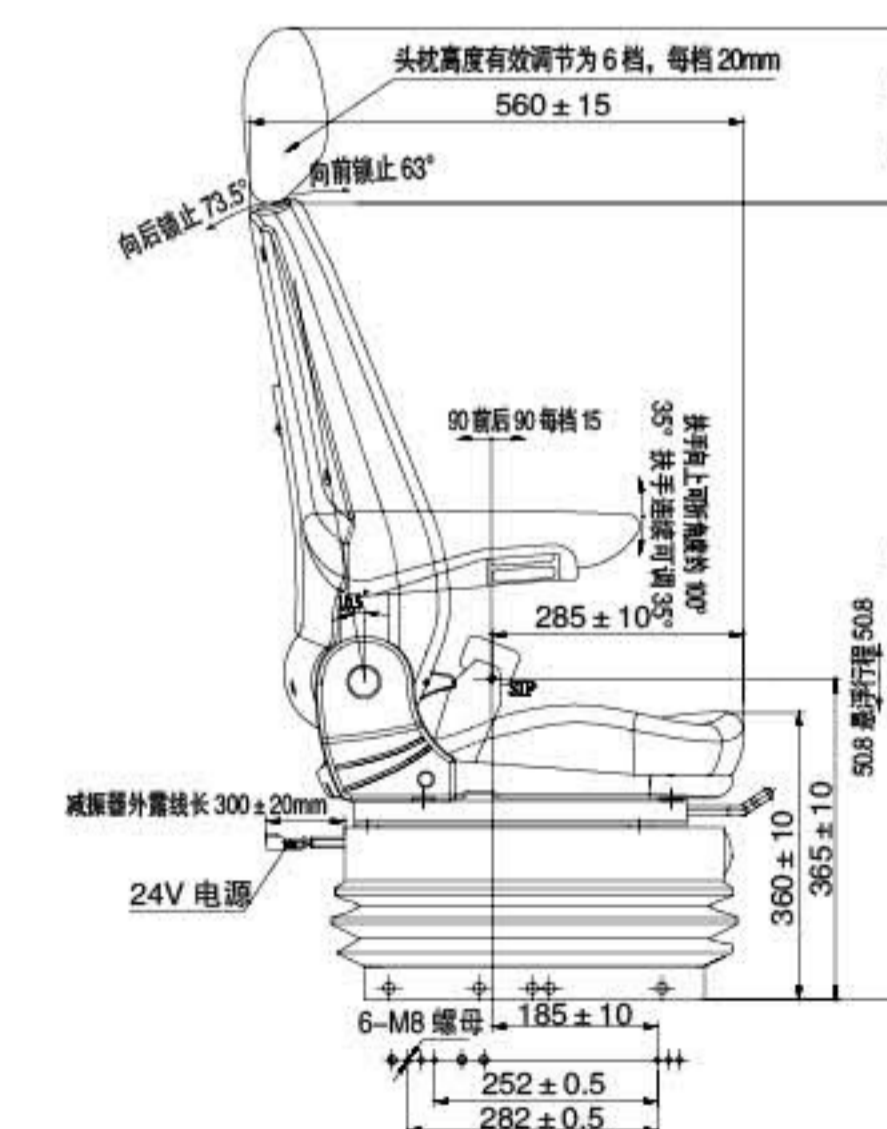
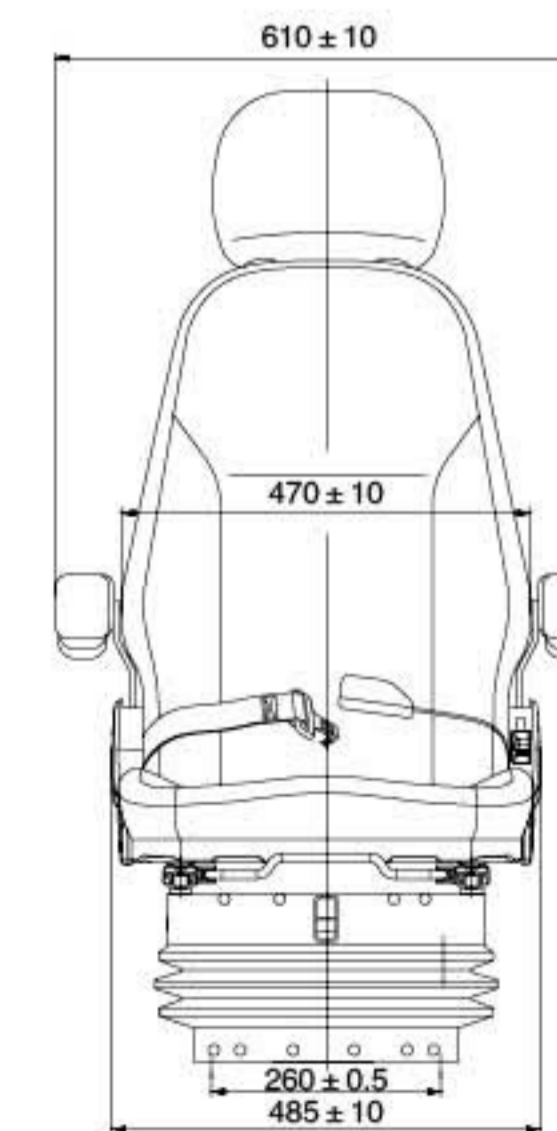
技术要求 Technical requirement

1. 座椅前后调整距离为 150mm, 前移行程 90mm, 后移行程 60mm;
Seat front and rear adjustment distance is 150mm, forward stroke 90mm, backward stroke 60mm;
2. 减振器最大悬浮行程为 90mm, 体重调节范围为 50 ~ 130kg, 高度调节范围为 60mm。
The maximum suspension stroke is 90mm, and the range of weight regulation is 50 ~ 130kg, and the height adjustment range is 60mm.



座椅参数

1. SIP 点高度为 325mm。
SIP Point height: 325mm.
2. 头枕高度调节 6 档 120mm (6 × 20mm)。
Headrest height adjustment: 6 steps 120mm (6 × 20mm) .
3. 座椅角度调节量 136.5° (往前 63° , 往后 73.5°)。
Seat angle adjustment: 136.5° (63° Forward, 73.5° rearward) .
4. 座椅高度调节量 60mm, (2 × 30mm)。
Seat height adjustment: 60mm (2 × 30mm) .
5. 悬浮减振装置最大有效行程为 90mm; 可按人体重量在 50 ~ 130kg 之间进行无级调节。
Max stroke of suspension: 90mm; stepless adjustment available according to body weight 50 ~ 130kg.
6. 座垫宽度: 495 ± 10mm 靠背宽度: 470 ± 10mm。
Cushion width: 495 ± 10mm Backrest width: 470 ± 10mm.
7. 座椅前后调节量 180mm, 向前 90mm, 向后 90mm。
Seat adjustment forward and rearward: 180mm, 90mm forward, 90mm rearward.
8. 座椅座深调节量 51mm; 座垫倾角两档调节量为 5.1°。
Seat depth adjustment: 51mm; Adjustment between two steps of cushion tilt: 5.1° .



SC27-50

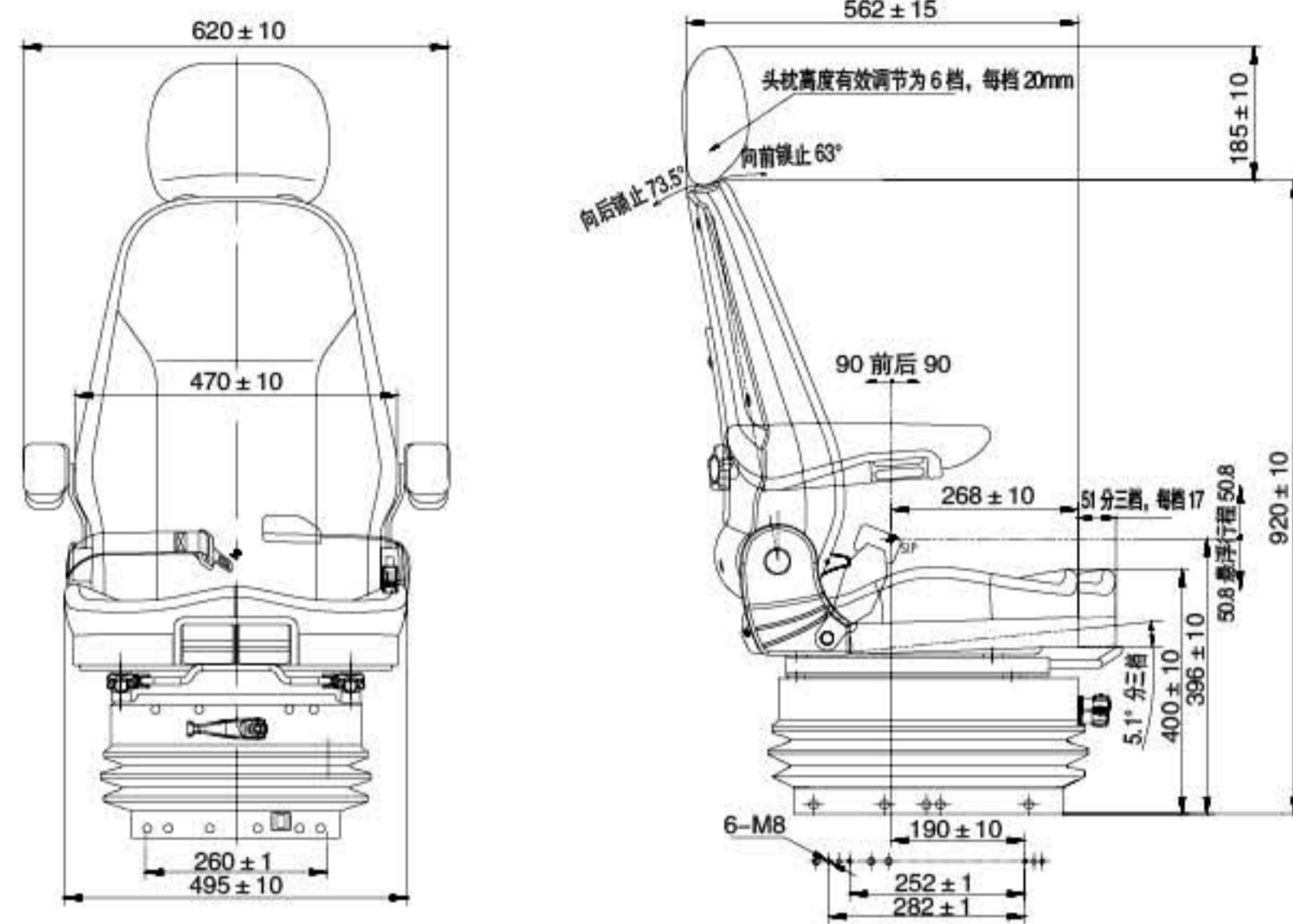


1. 织物面料;
Fabric

2. 减振器悬浮行程为 101.6mm。
The suspension stroke is 101.6mm.



SC27-123

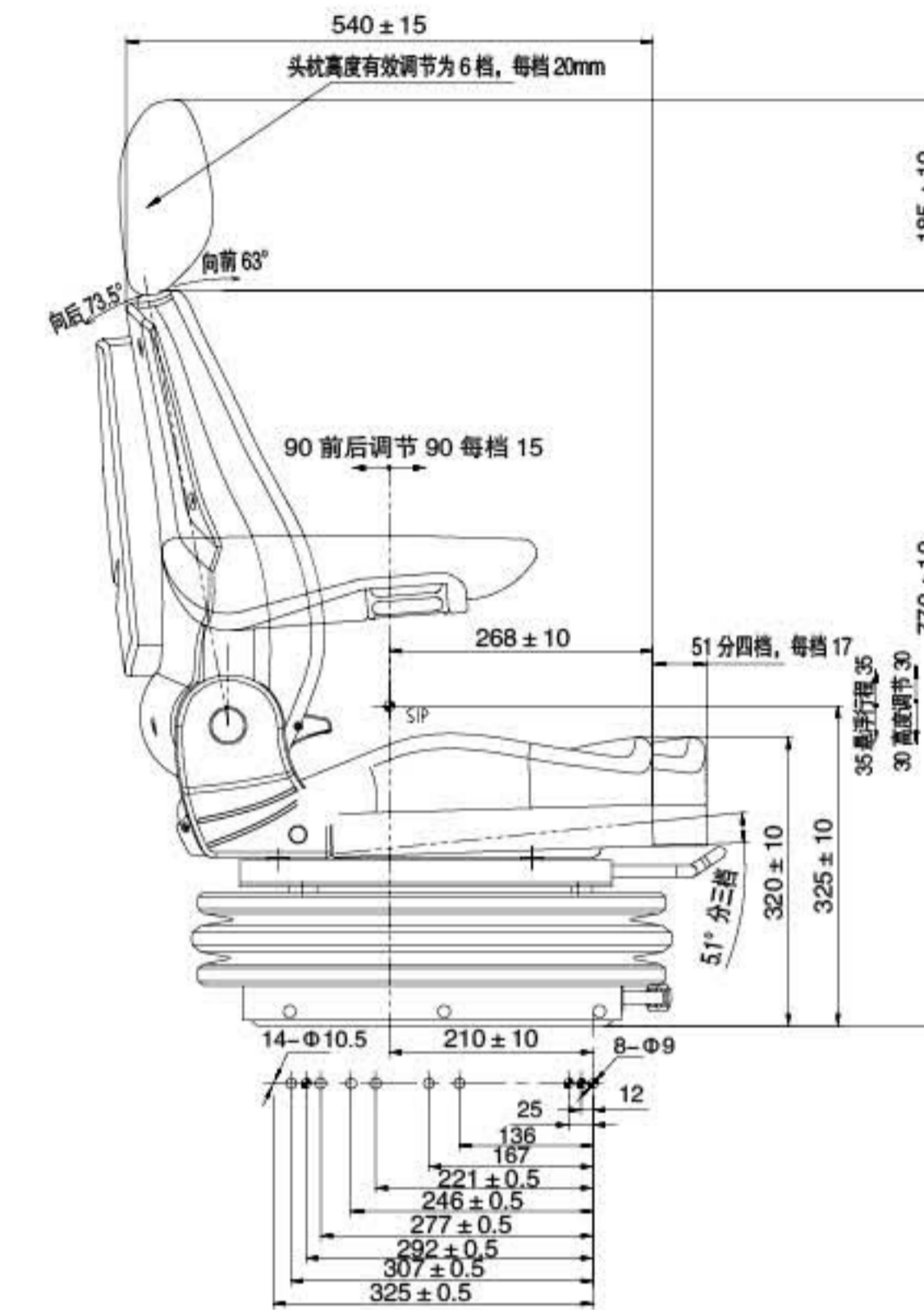
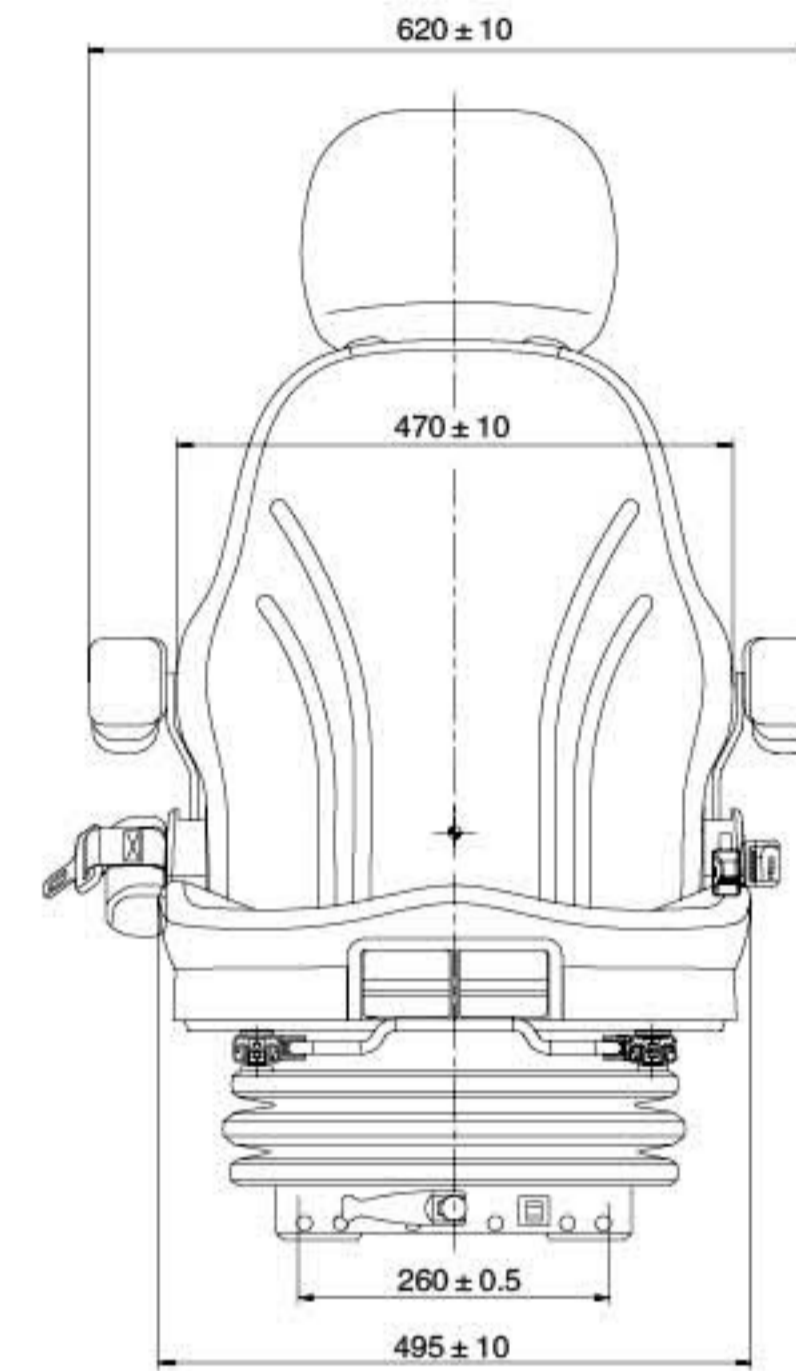
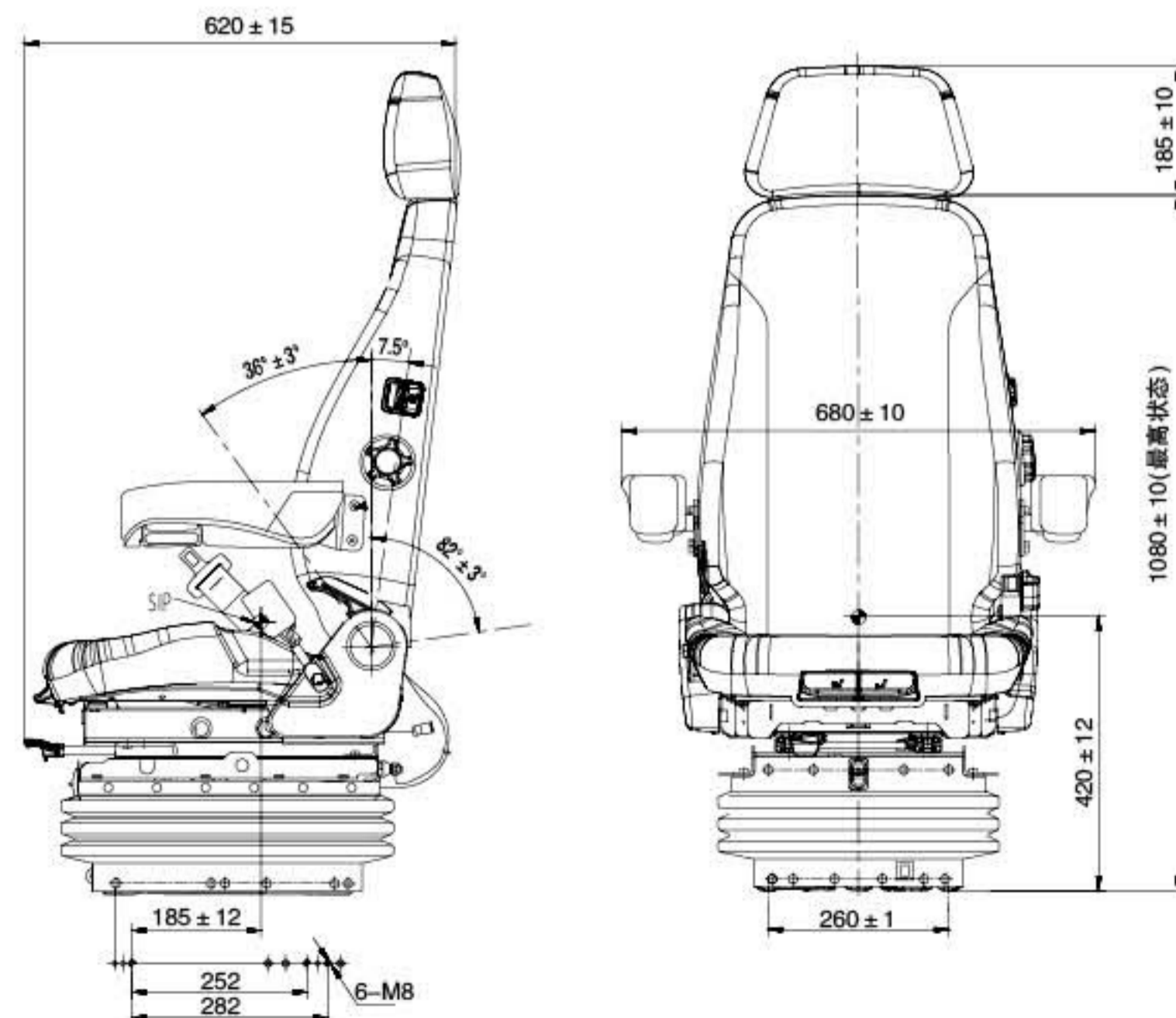


技术要求 Technical requirement

1. 滑道调节: 滑道行程 120mm; 前 60mm, 后 60mm, 每档 10mm;
Slide adjustment: travel: 120mm, front: 60mm, rear: 60mm, each step: 10mm;
2. 座深调节: 总调节量为 60mm, 分 4 档;
Seat depth adjustment: the total adjustment is 60mm, divided into 4 steps
3. 座椅倾角调节: 总调节量为 10.6°, 分 5 档;
Seat tilt adjustment: the total adjustment of 10.6 degrees, divided into 5 steps
4. 头枕高度调节: 总调节量为 3 档, 每档 20mm, 头枕倾角调节: 共 3 档, 每档 8°;
Headrest height adjustment: total adjustment of 3 steps, 20mm per step, headrest tilt adjustment: total 3 steps, 8 degrees per step;
5. 座椅减振器性能: suspension capability
 - (1) 座椅可根据人体重量在 50kg~130kg 范围内无级调整;
The seat can be stepless adjusted according to the weight of the human body in the range of 50kg~130kg;
 - (2) 减振器最大悬浮行程 135 ± 5mm;
The maximum suspension stroke is 135 ± 5mm;
 - (3) 气泵外接电源: D.C.24V.
External power supply for air pump: D.C.24V.



SC50-1



头枕
Headrest



座垫仰角和延伸功能
Seat tilt and extension



减振器
Suspension



SC28



SC28-22



安全带
Seat belt



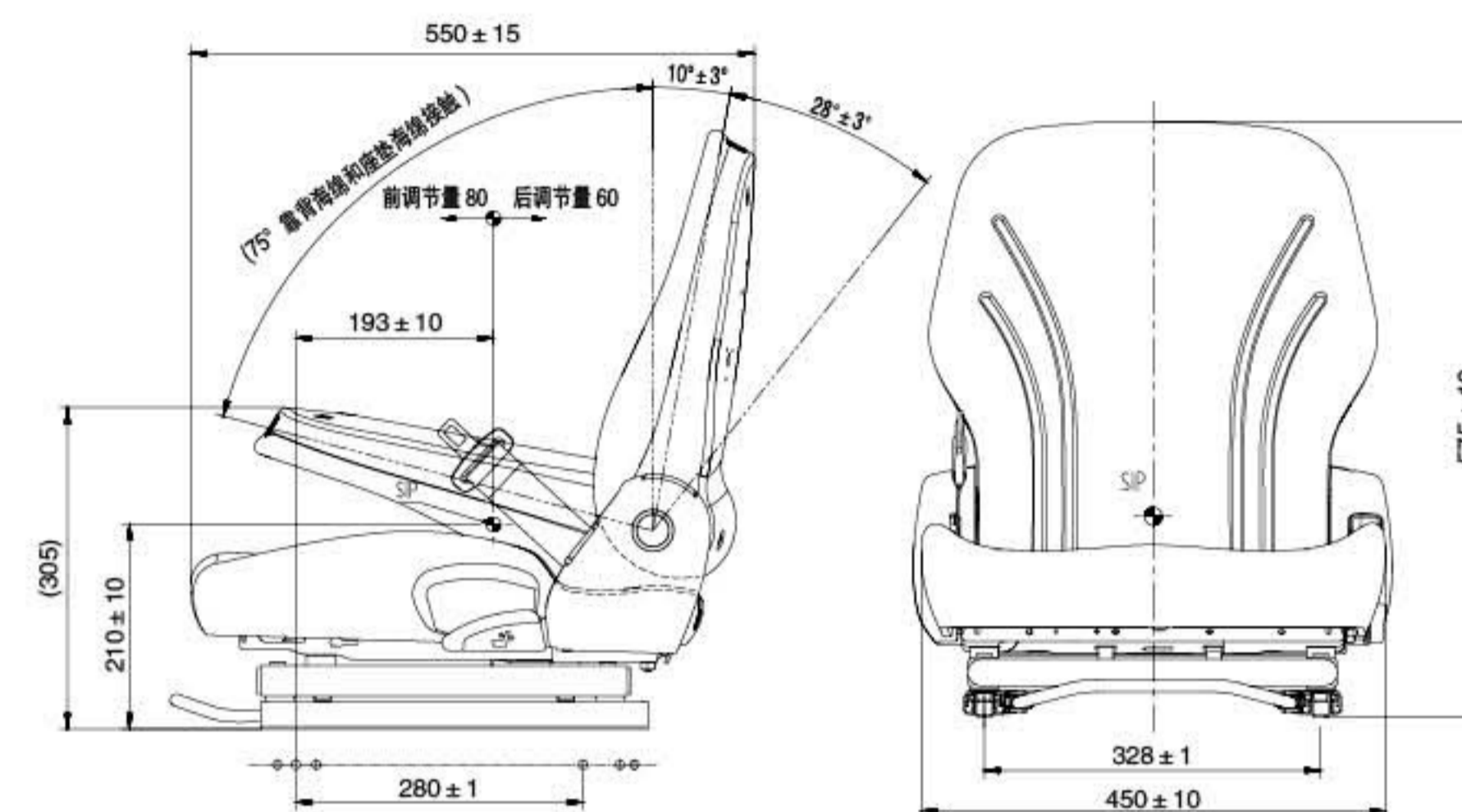
扶手
Armrest



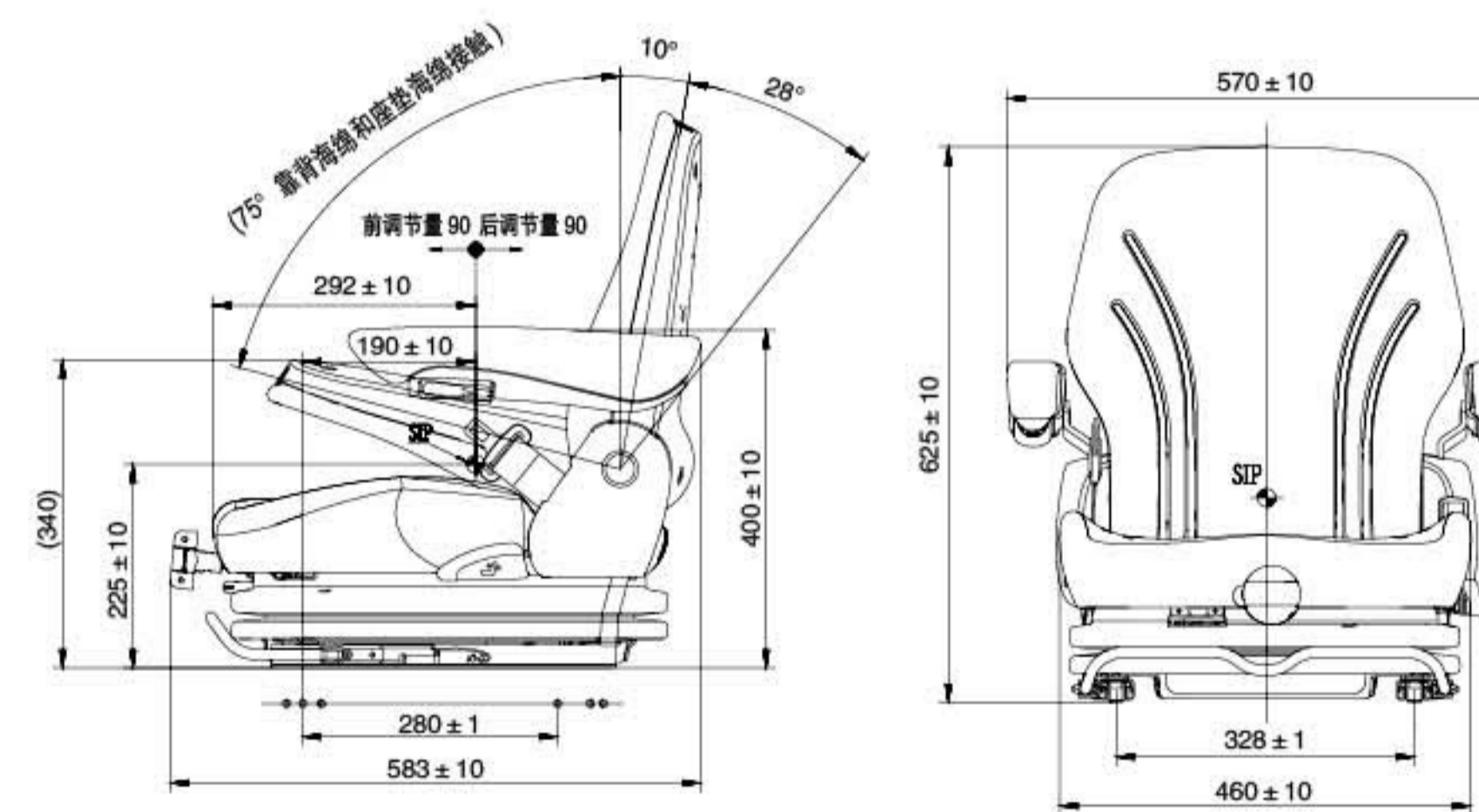
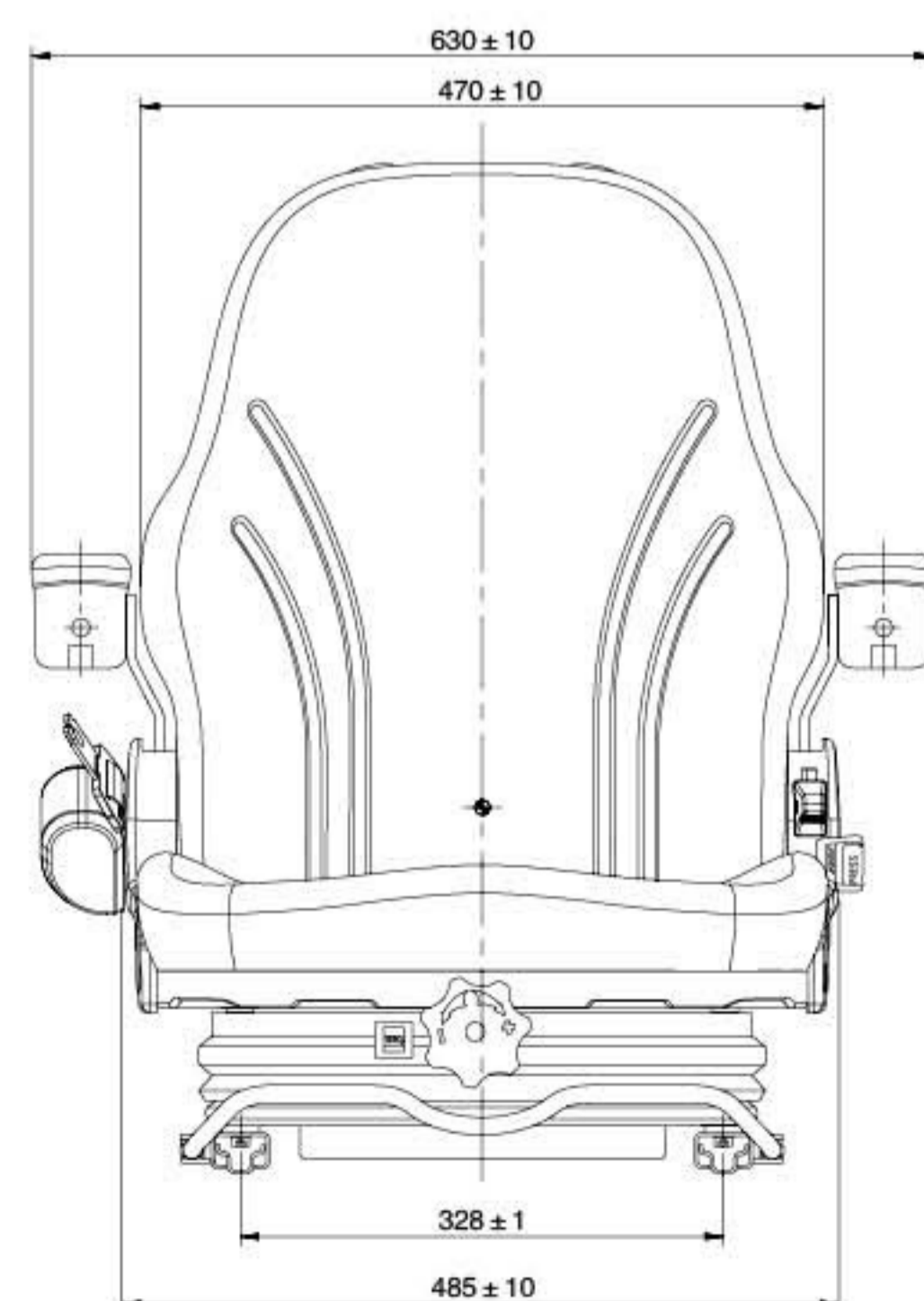
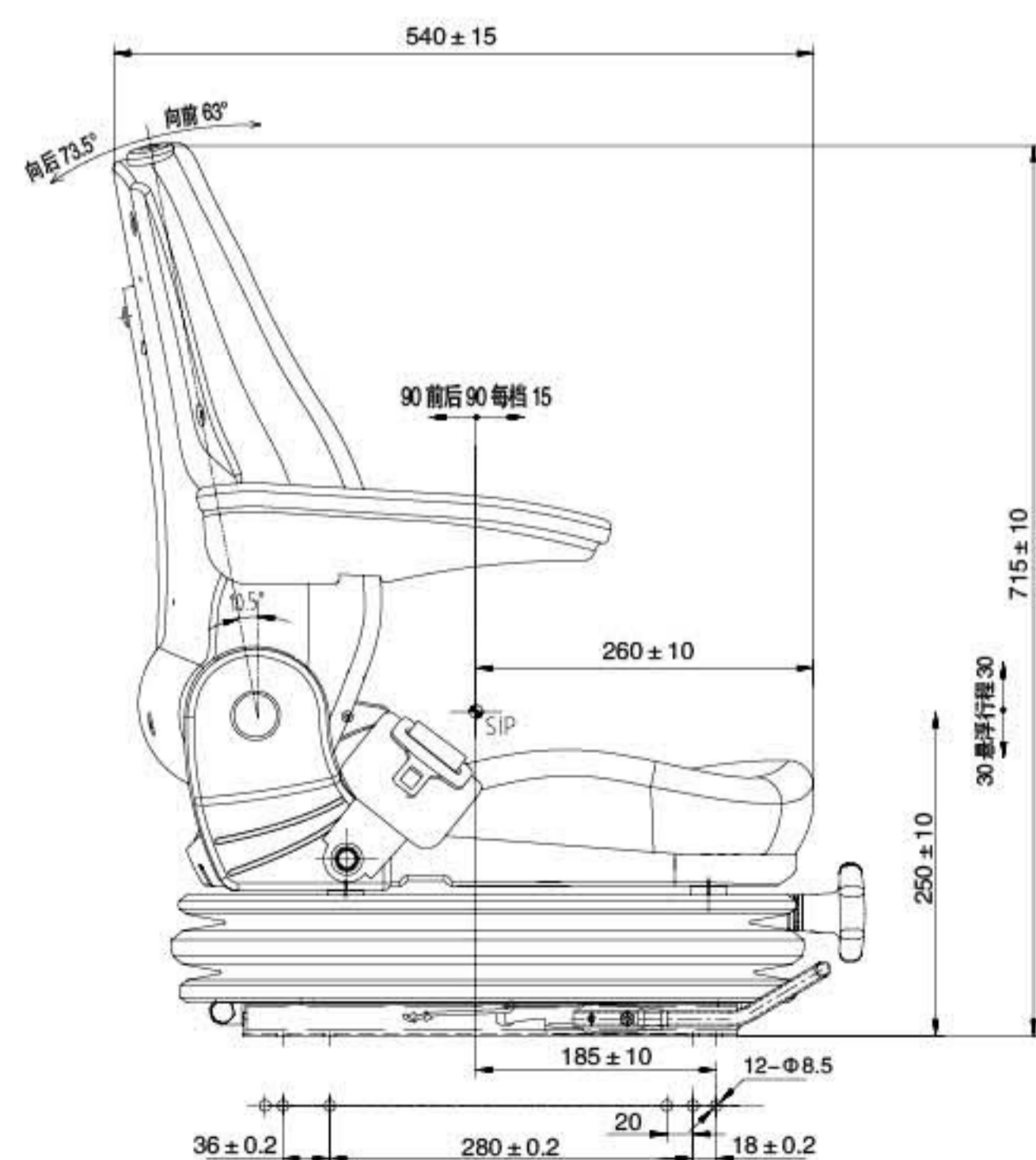
文件盒
Document box



电锁
Switch



SC29-7



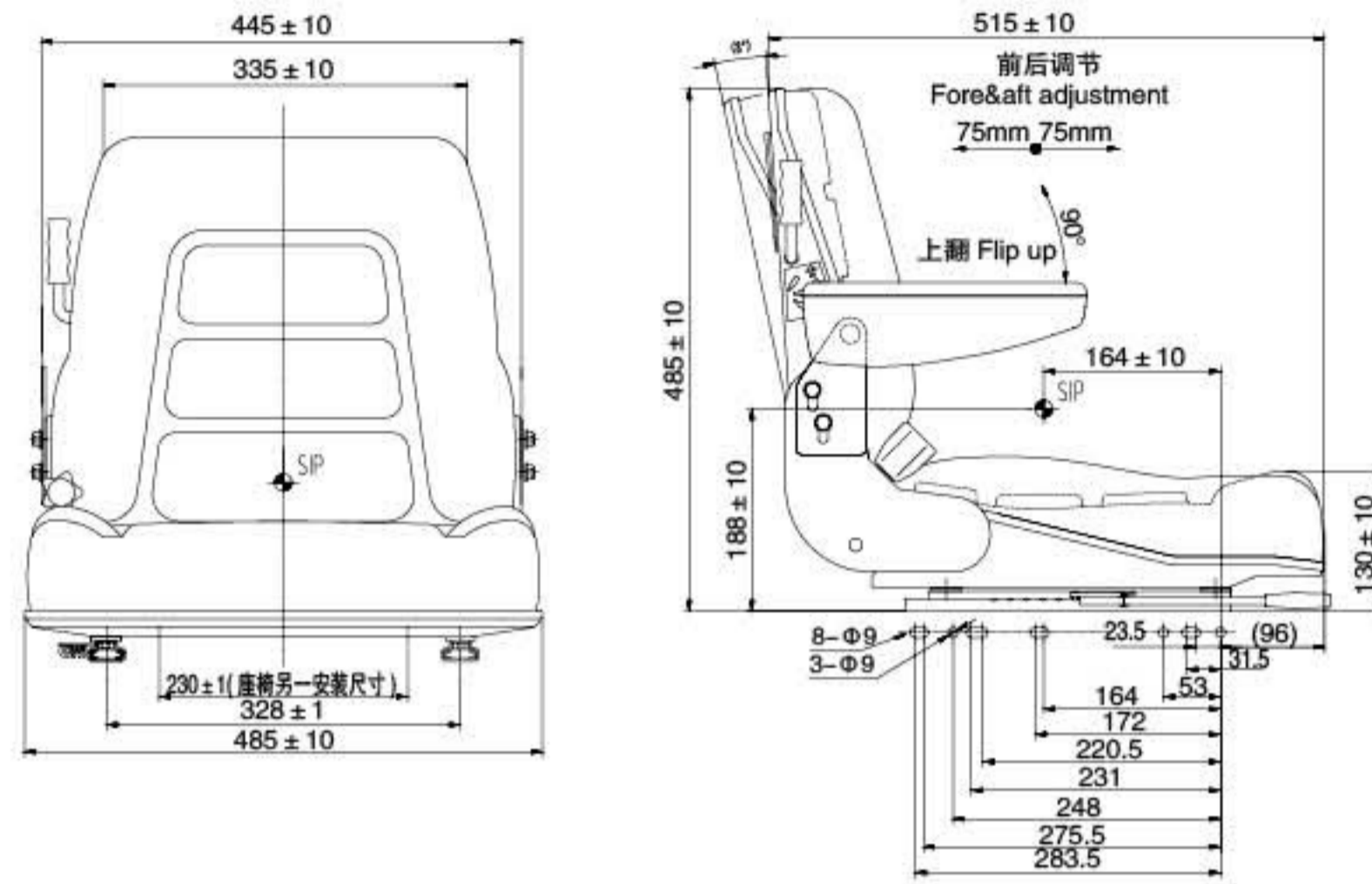
SC29

技术要求 Technical requirement

1. 减振器行程为 $70 \pm 8\text{mm}$;
The suspension stroke is $70 \pm 8\text{mm}$;
2. 体重调节为 $50 \sim 130\text{K}$.
The weight adjustable $50 \sim 130\text{KG}$.



SC1A



- 整合于靠背内部的减振器
Semi suspension integrated in backrest
- 低外形适合工作空间受限的场合
Low profile for limited working space
- PVC 或布料可供选择
Vinyl or cloth for option
- 扶手、安全带 (可选)
Armrest, safety belt (Optional)
- 电锁 (可选)
Load sensor switch (Optional)



电锁
Load sensor switch

产品特点 Product Features:

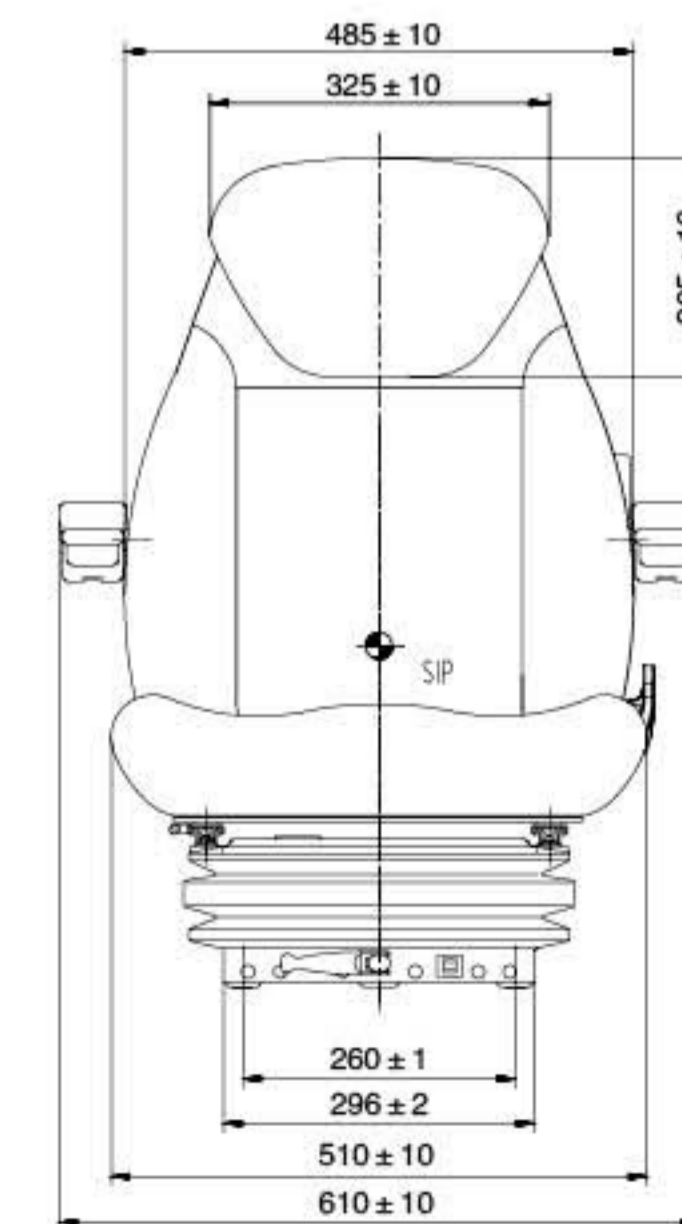
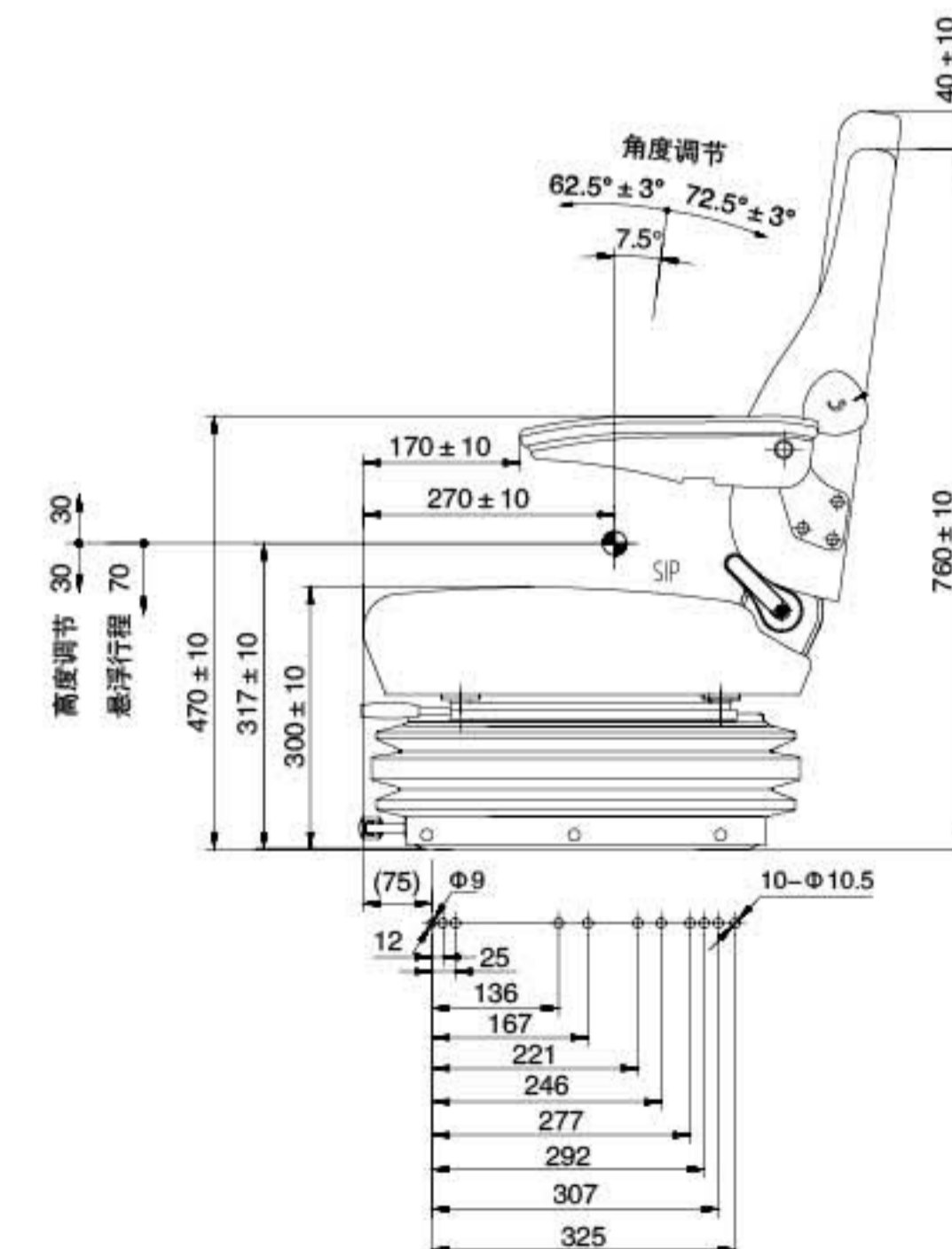
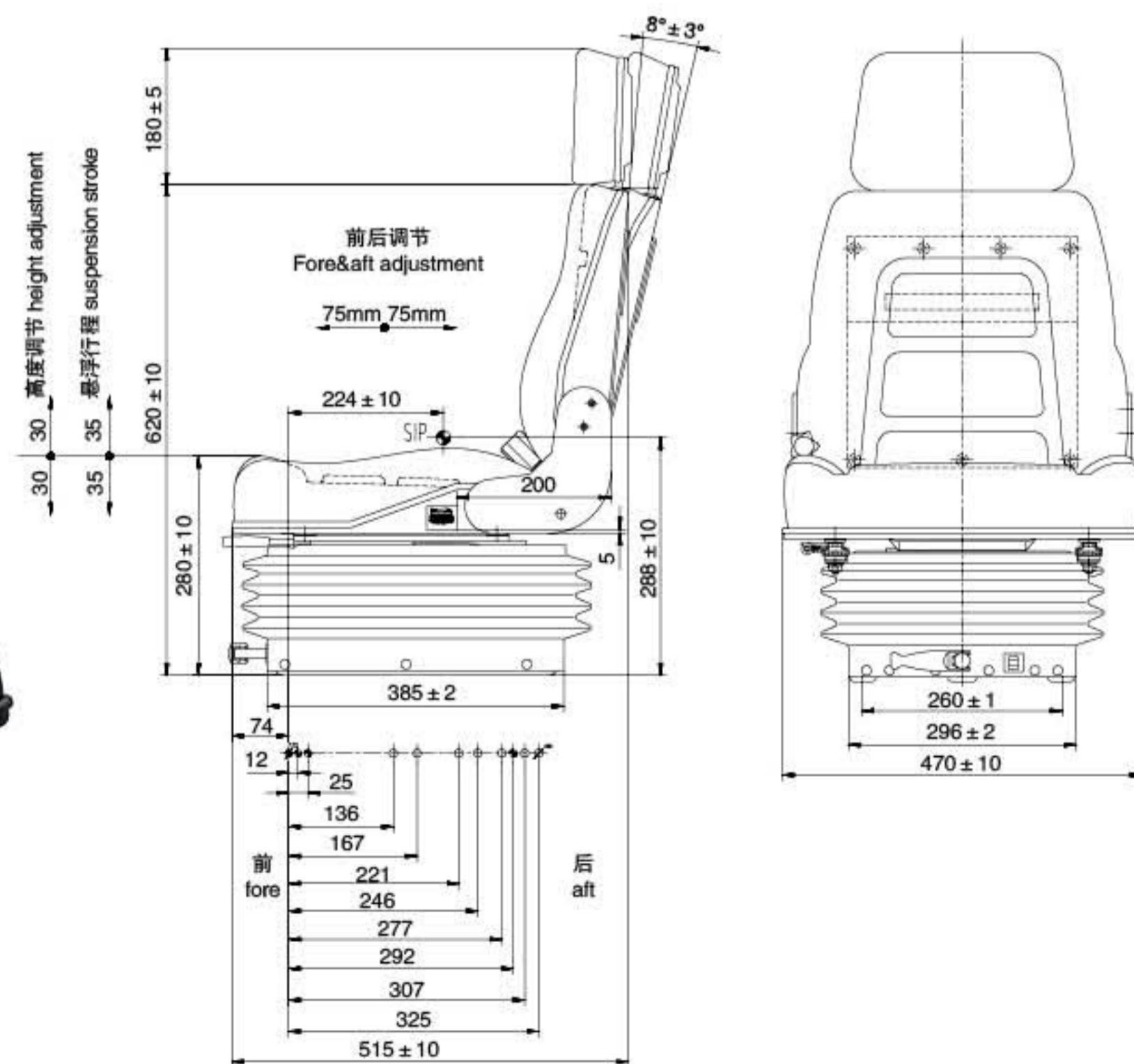
1. 可调高度的头枕提供更多支撑
Adjustable Headrest For Added Support
2. 可调腰部支撑提供腰部舒适度 (可选)
Adjustable Lumbar Support For Lower Back Comfort (Optional)
3. 可完全上翻且角度可调的扶手
Flip Up & Adjustable Angle Armrest
4. 座椅高度调整范围 60mm, 分三级
Height adjustment 60mm in 3 steps
5. 可根据驾驶员体重调节刚度的机械减振器
Mechanical Suspension Adjusted to Driver Weight
6. 用于前后调整的滑道
Slides For Fore & Aft Adjustable
7. 可调角度的靠背
Adjustable Back Rest Angle
8. 适合多种应用场合
Universal applications



SC15-128



SC2-6

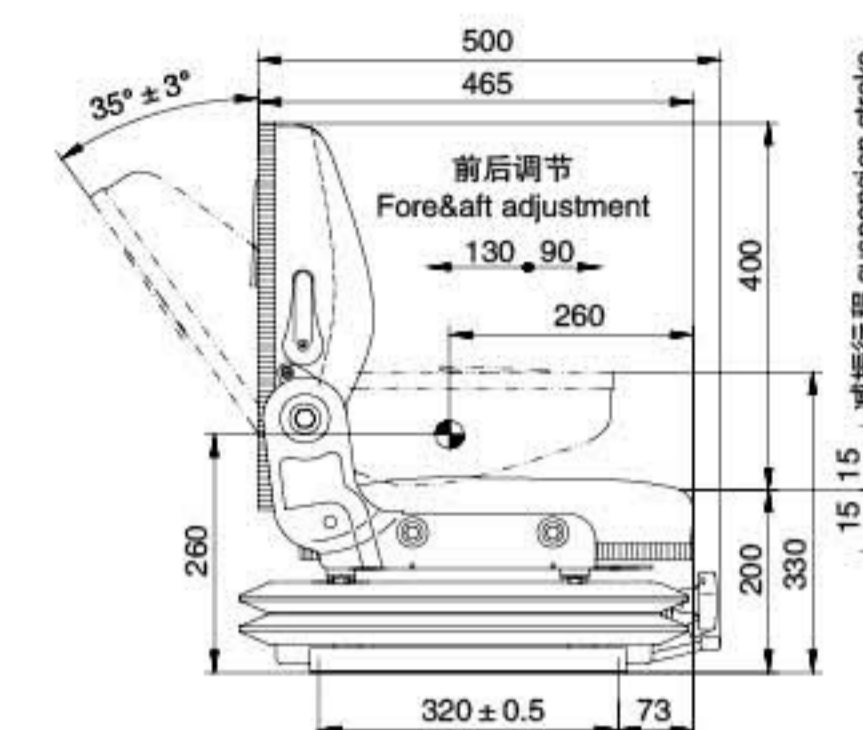
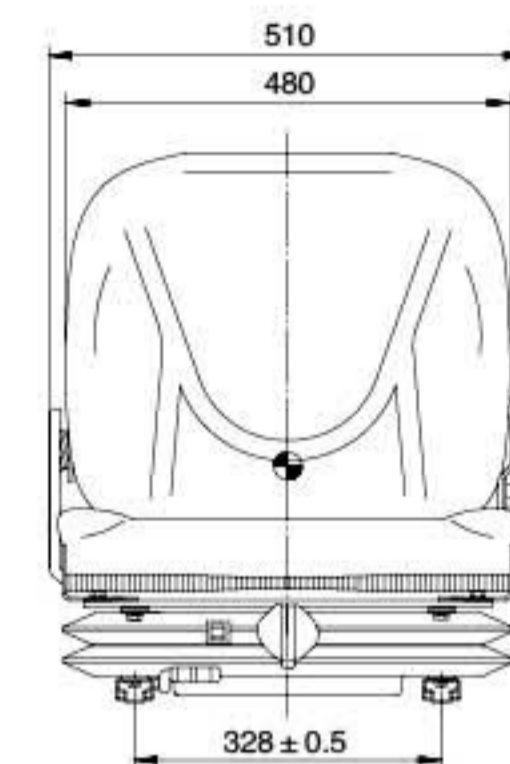
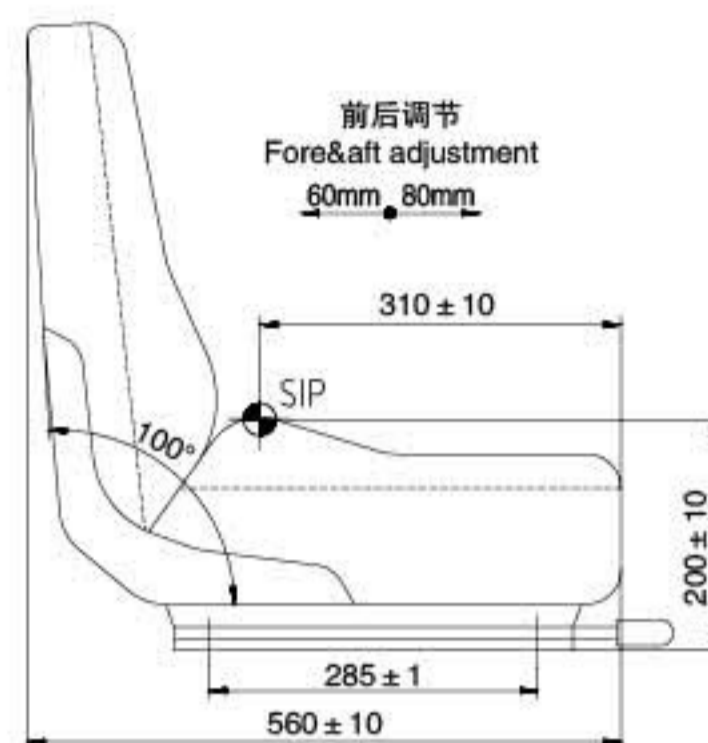
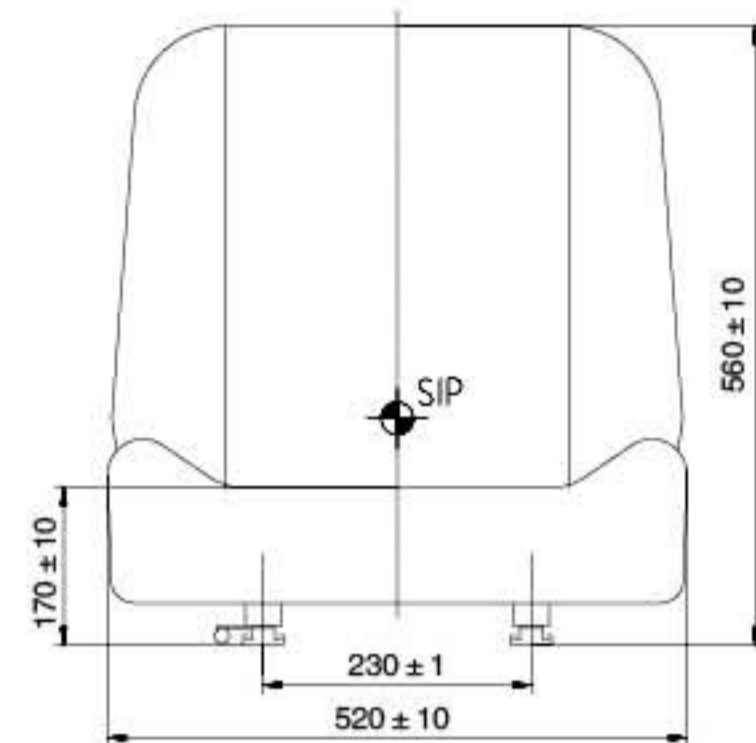


应用场合
Application Sectors:

- 工程机械
Construction machines
- 农业机械
Agricultural machines
- 园林机械
Horticultural machines
- 轮椅
Wheelchair



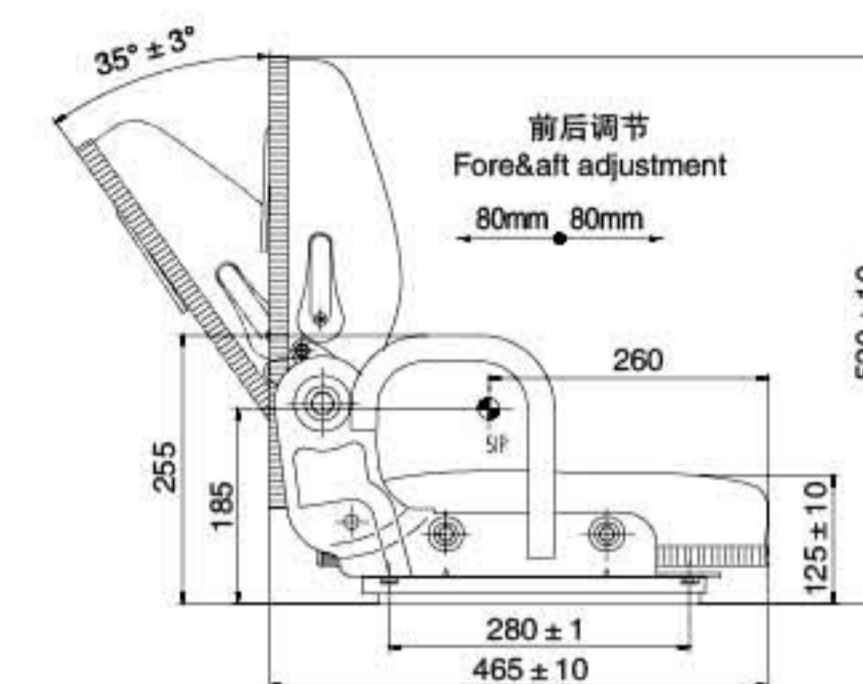
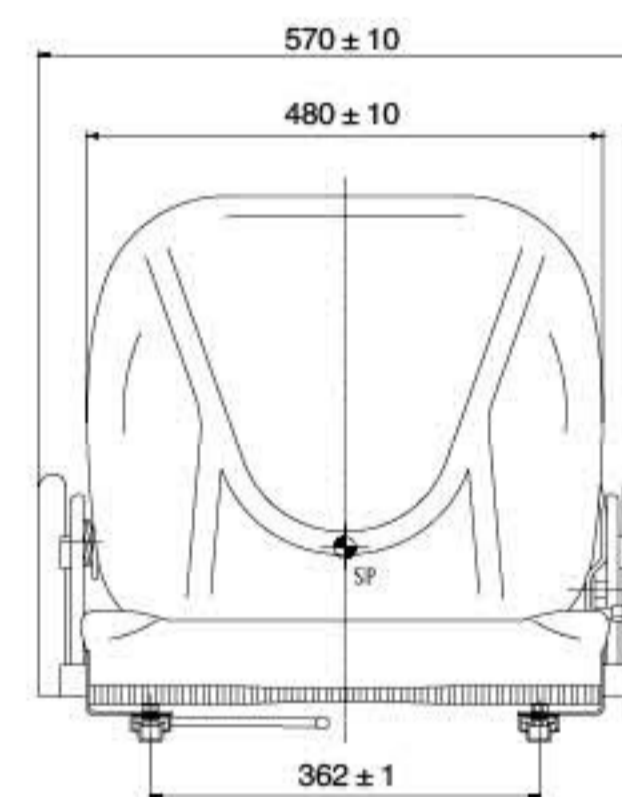
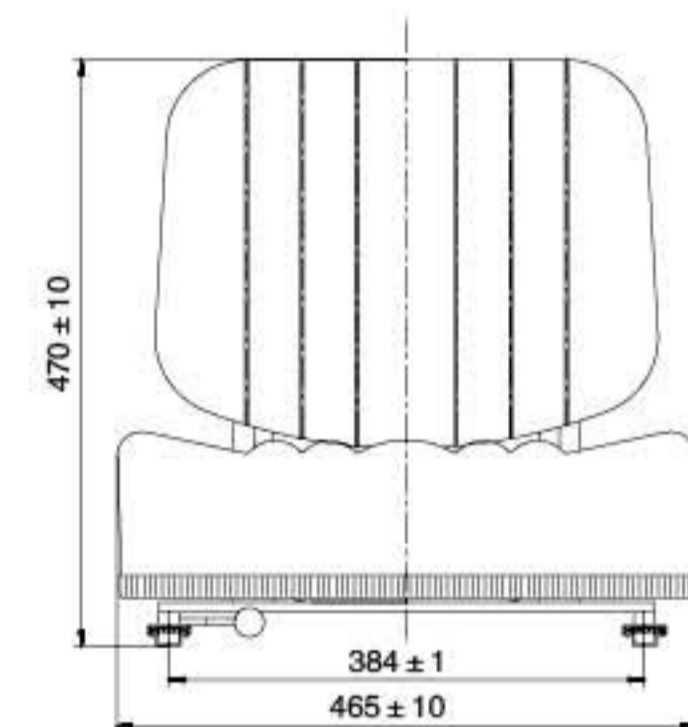
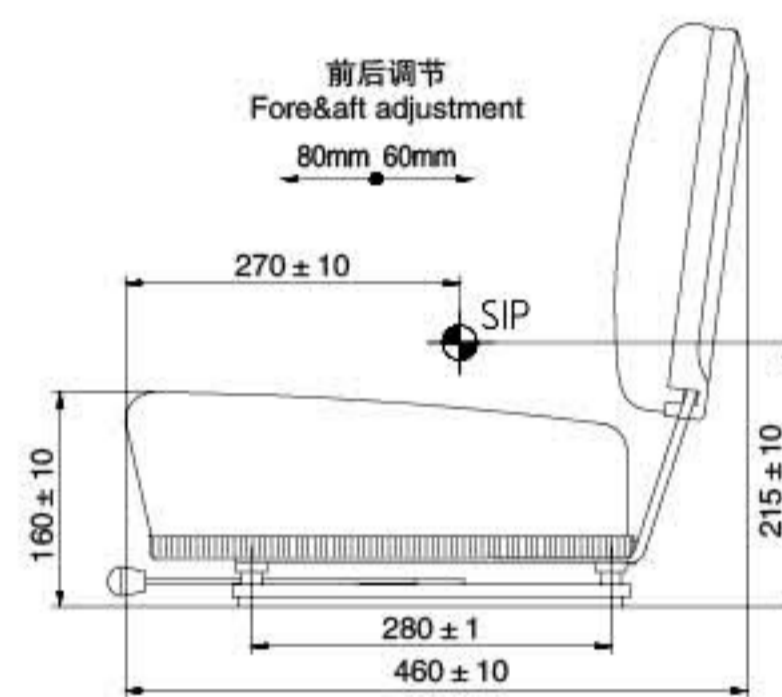
SC4



SC17-2



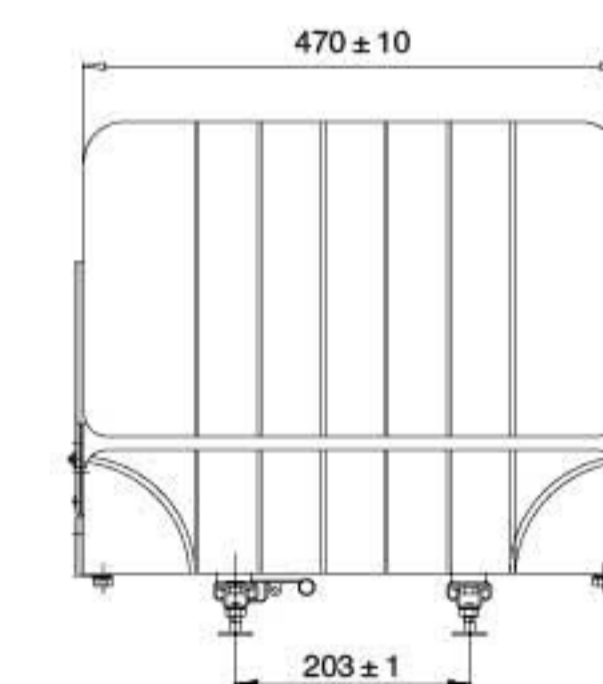
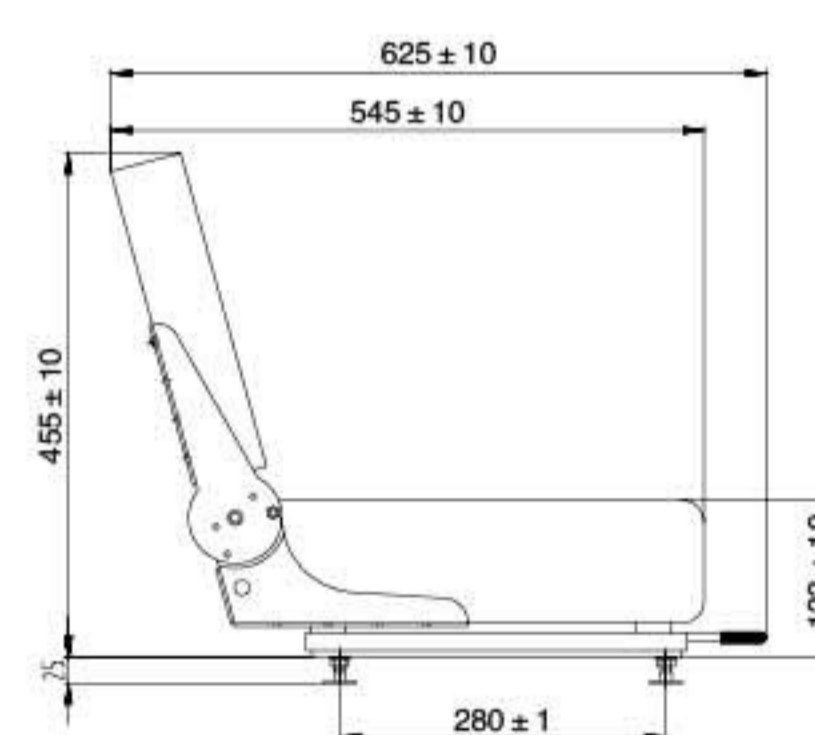
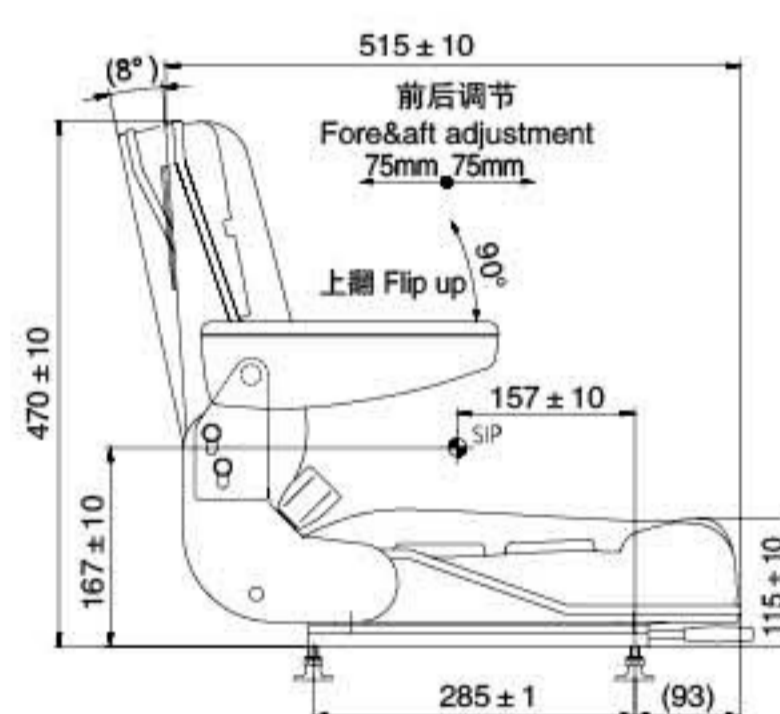
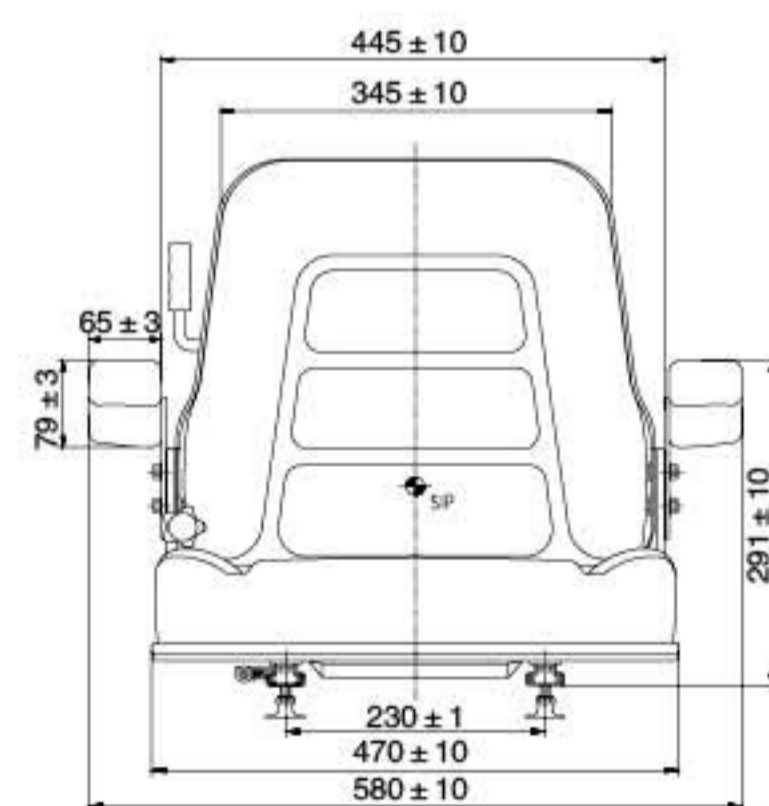
SC5B



SC17-5



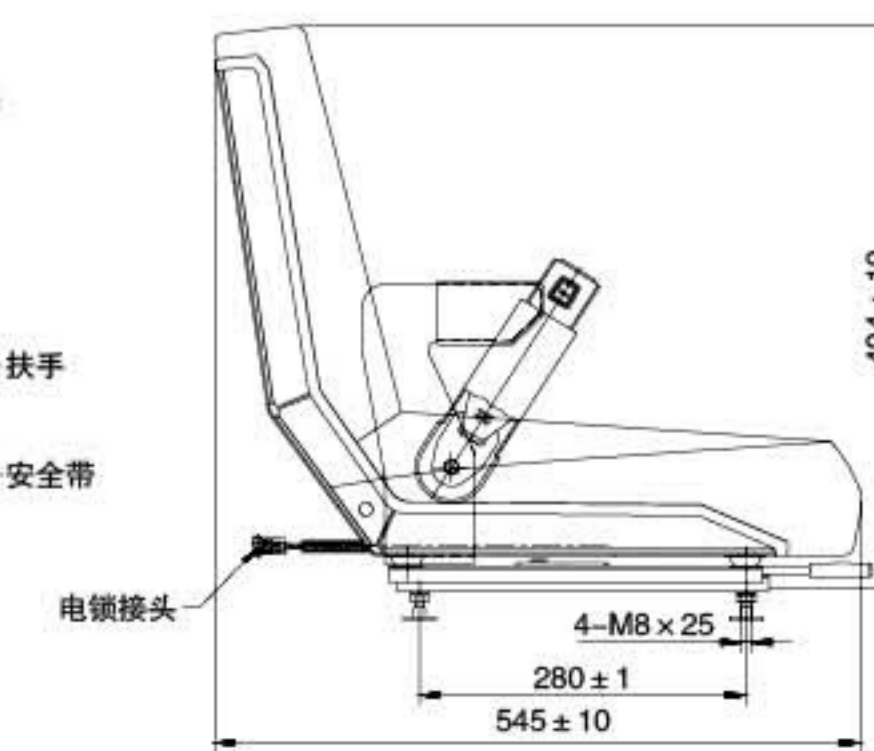
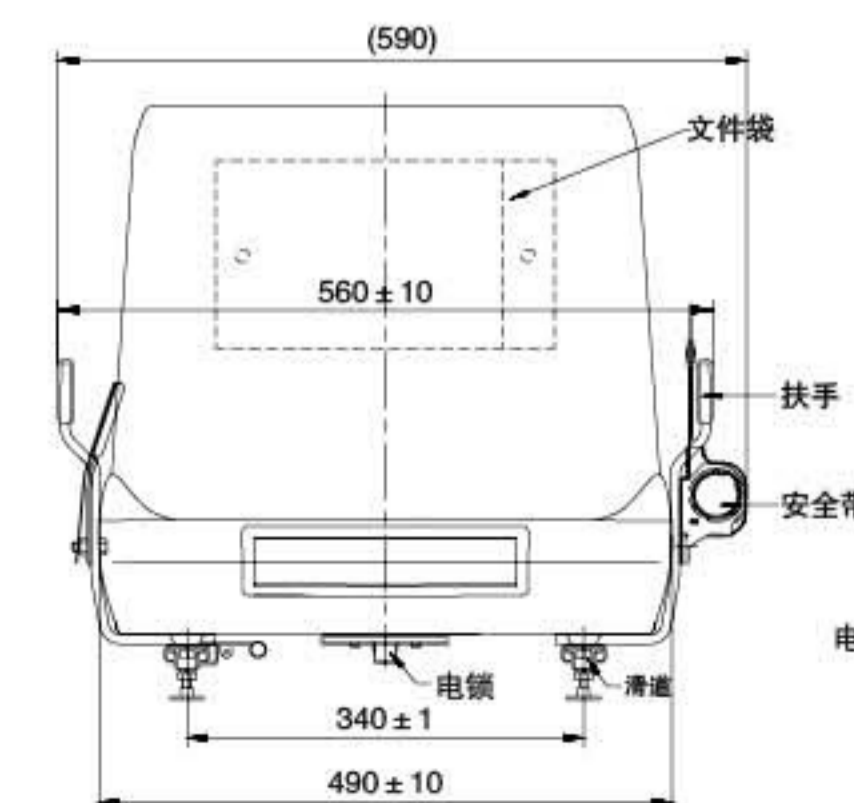
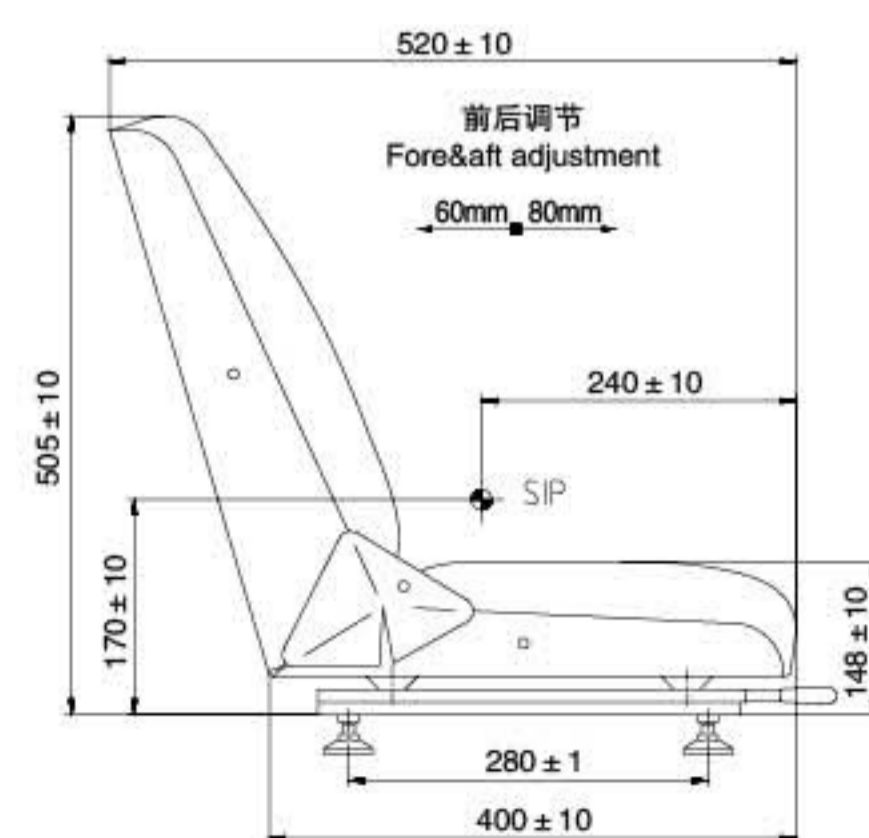
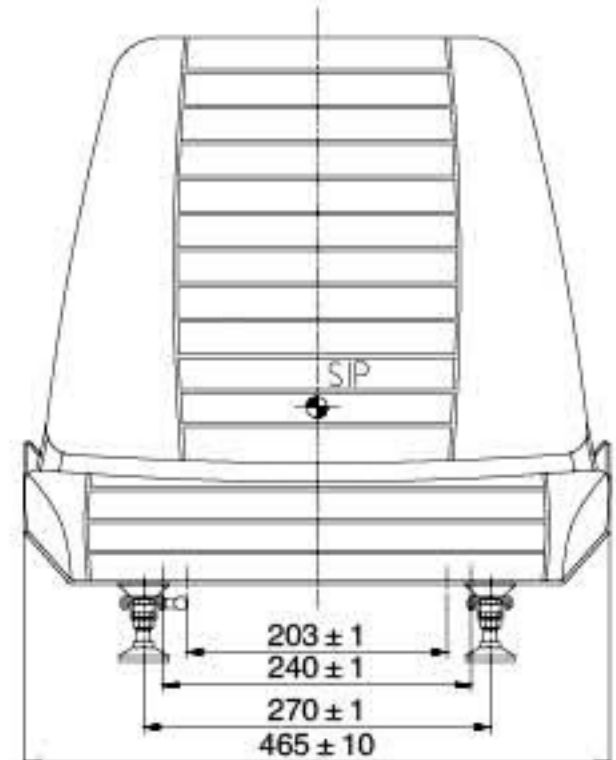
SC3



SC36



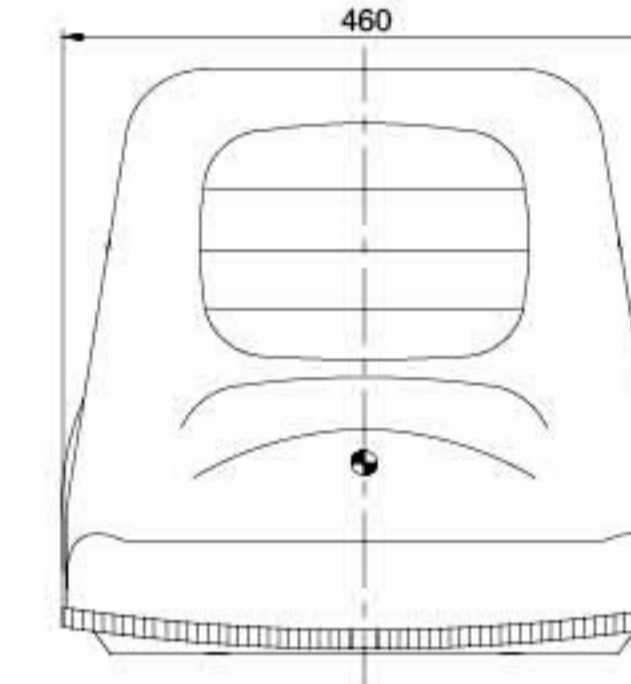
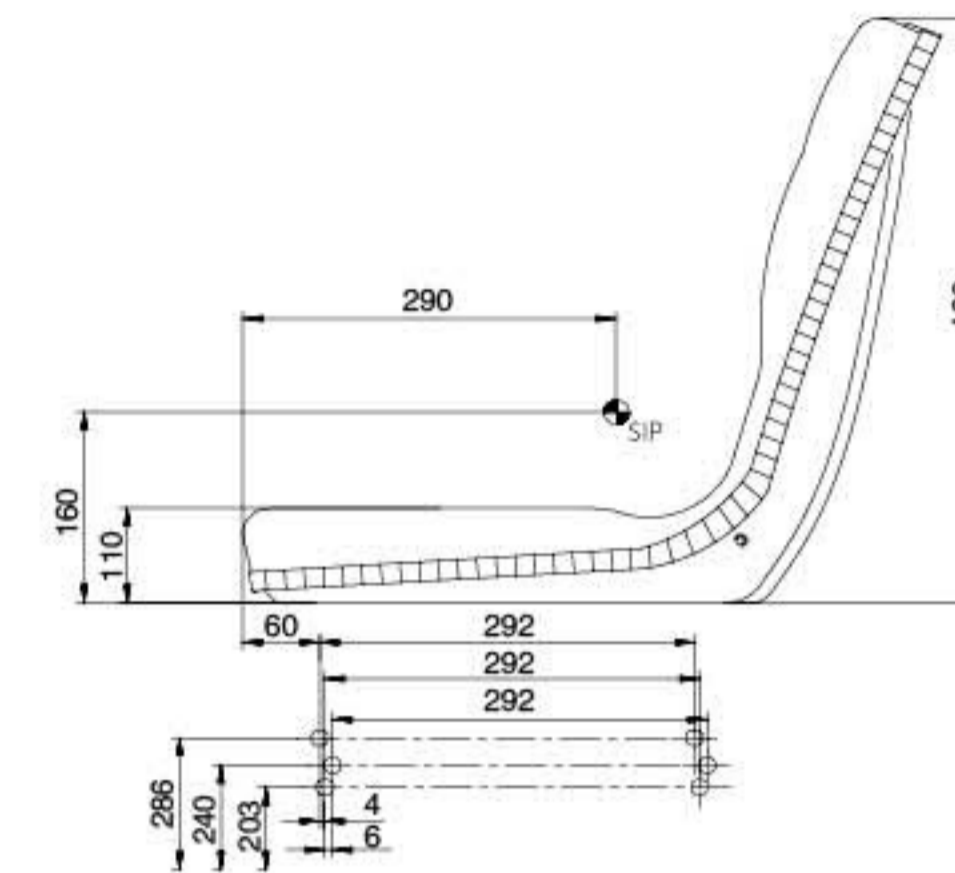
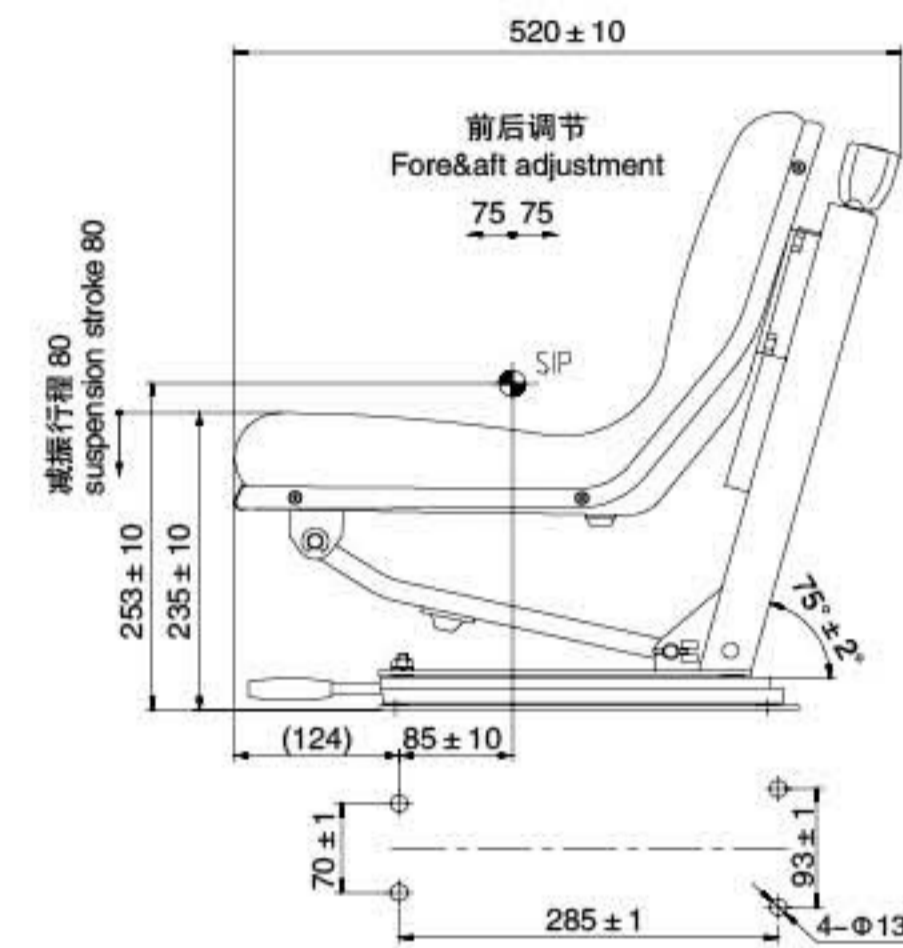
SC6



SC37



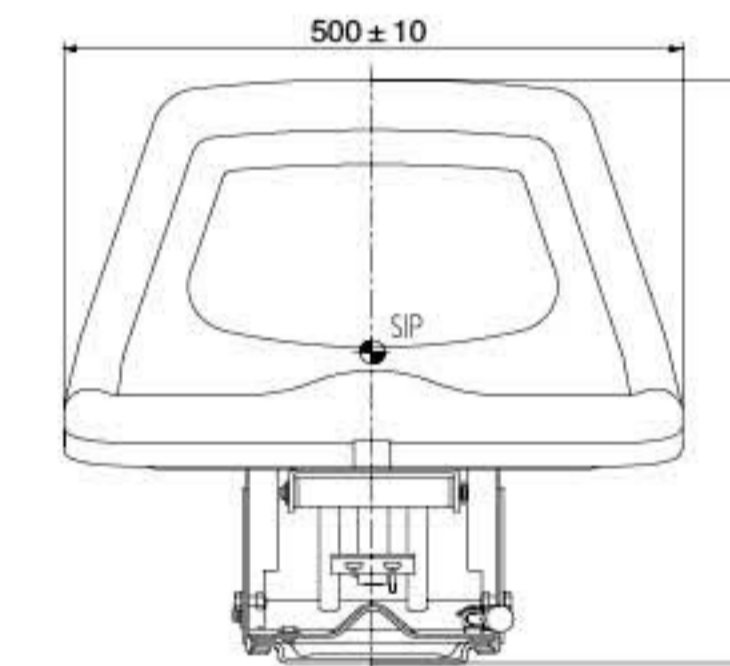
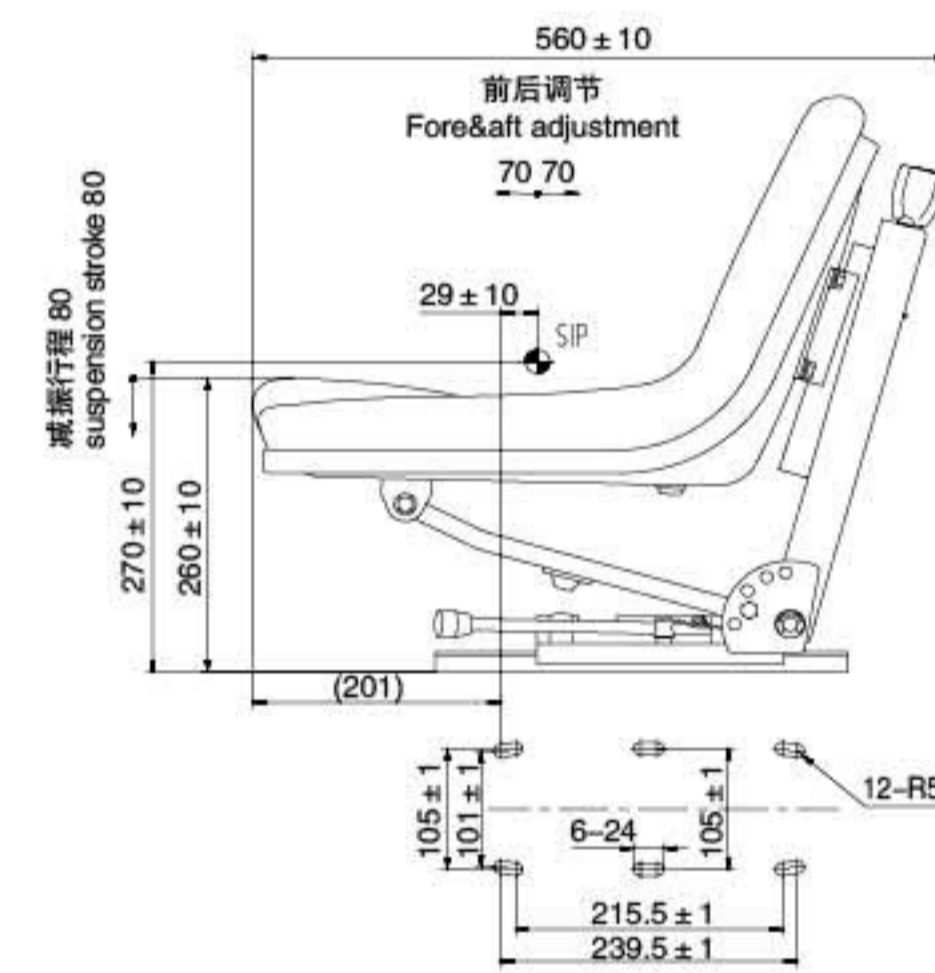
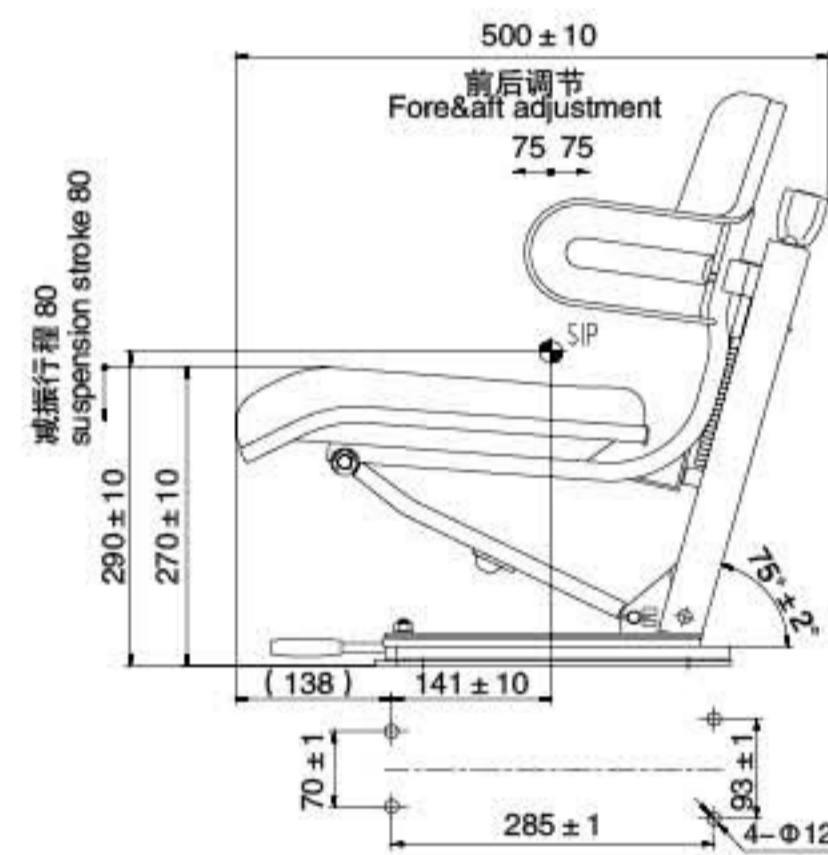
SN1



SN3B



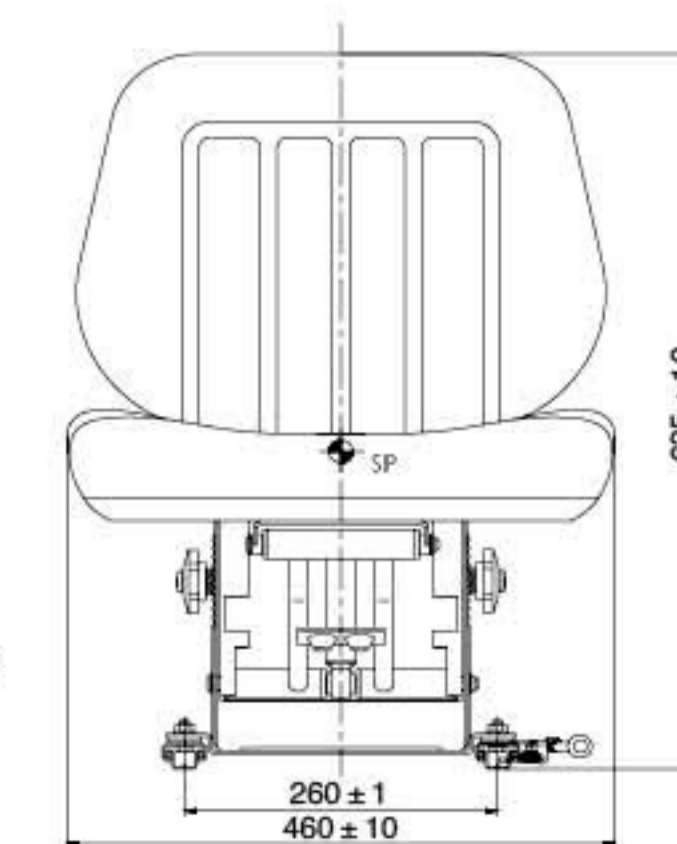
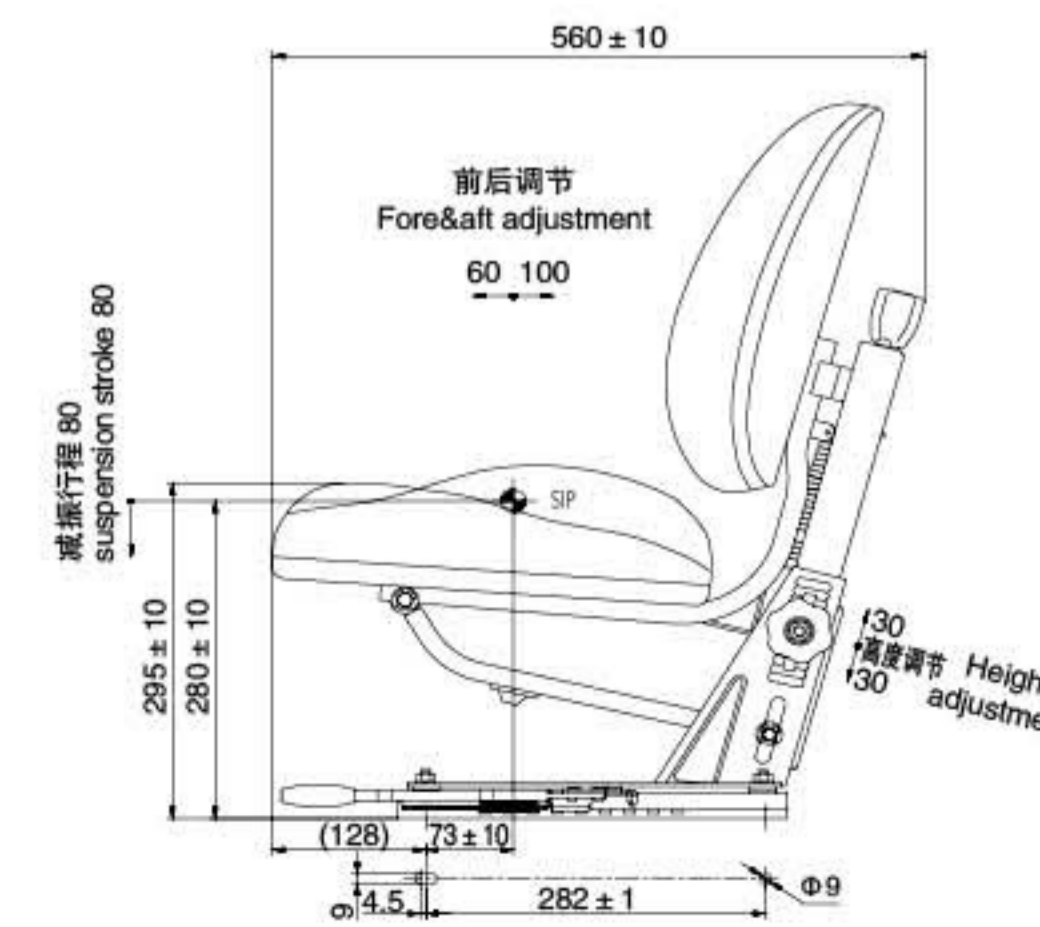
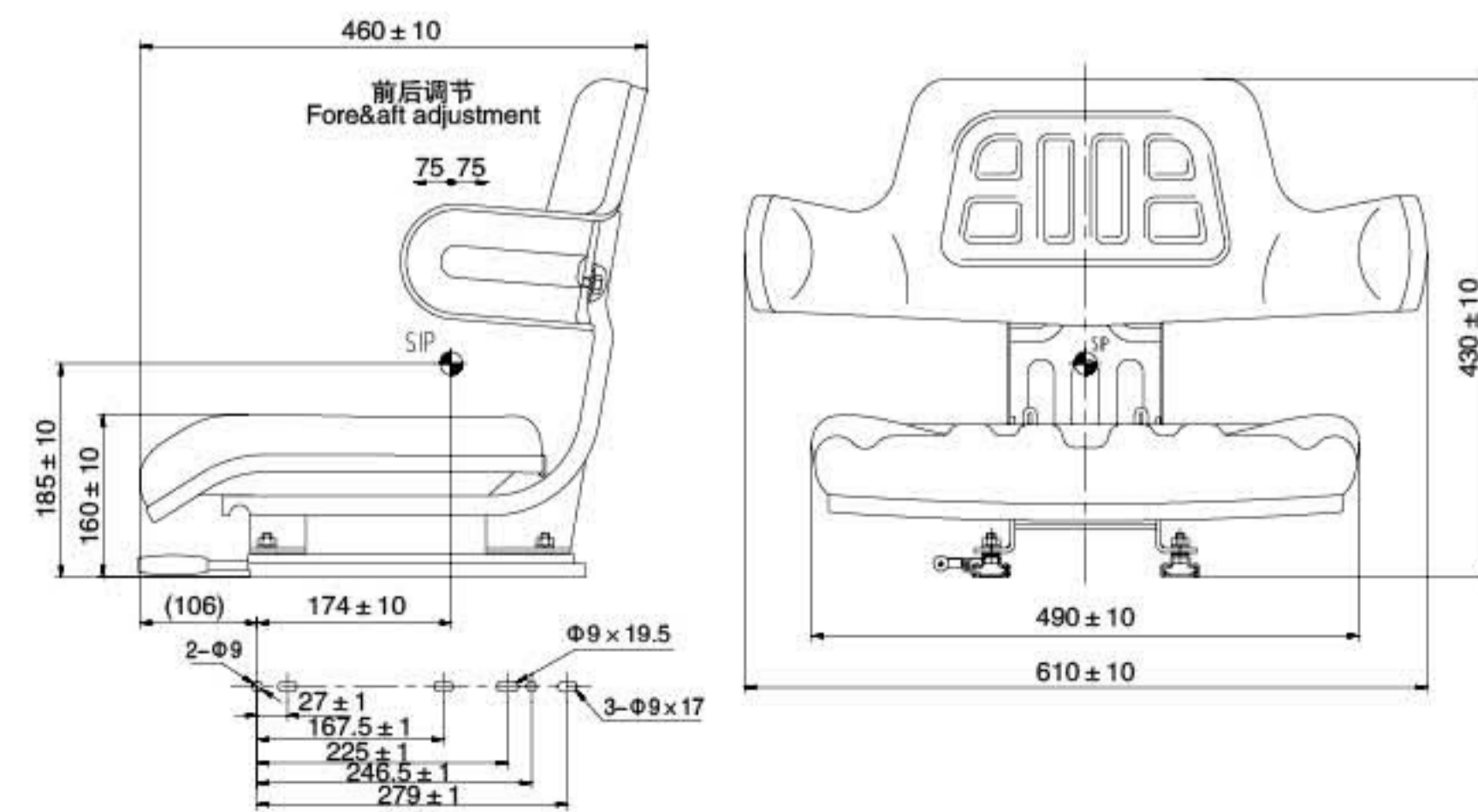
SN2



SN4-2



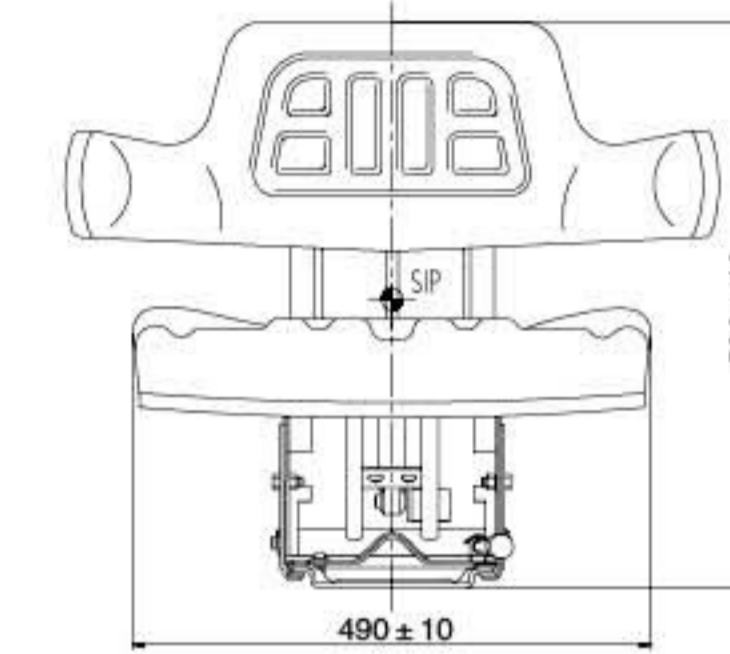
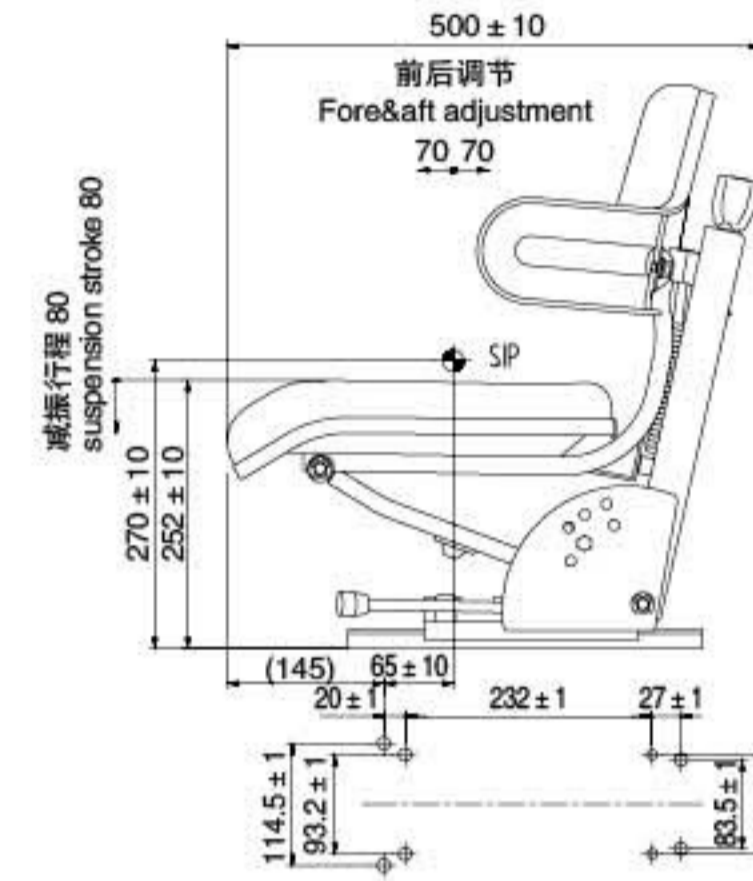
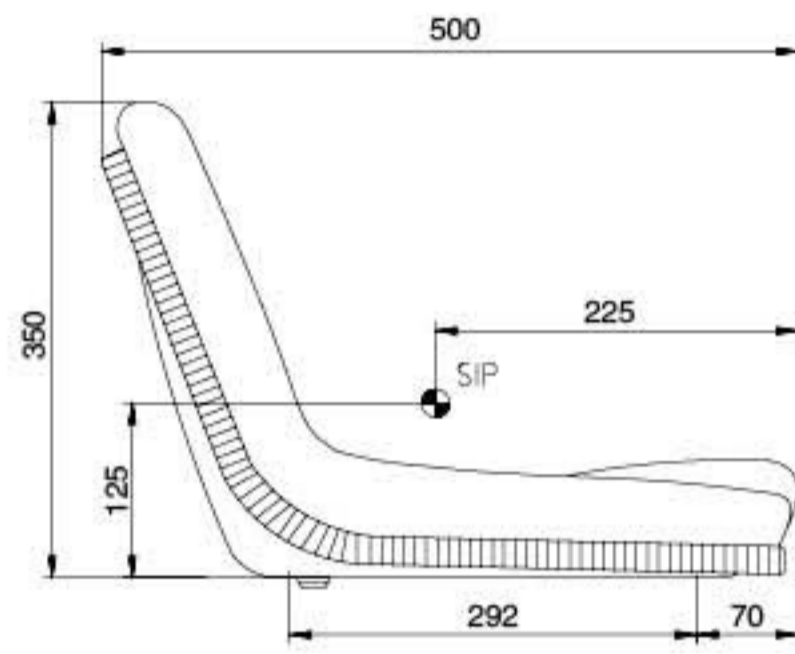
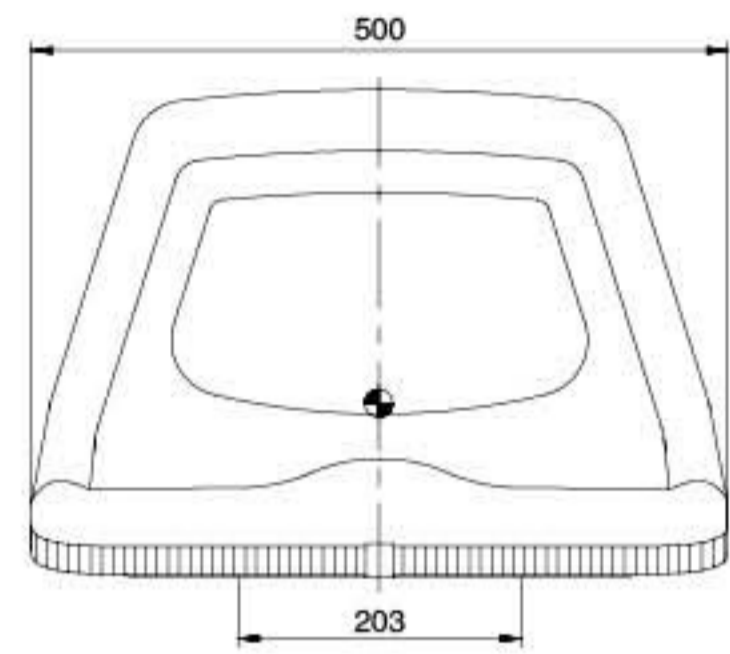
SN2-1



SN6



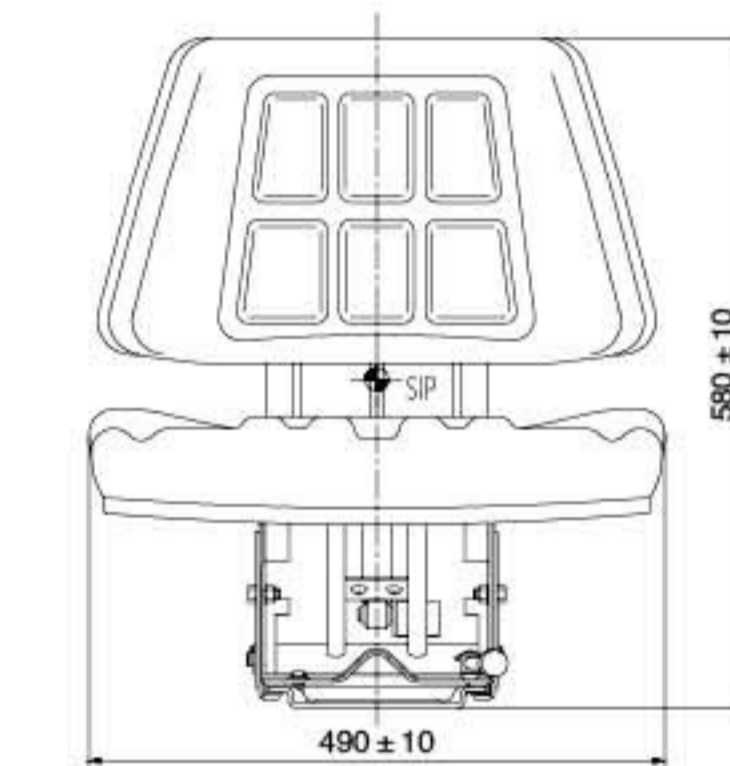
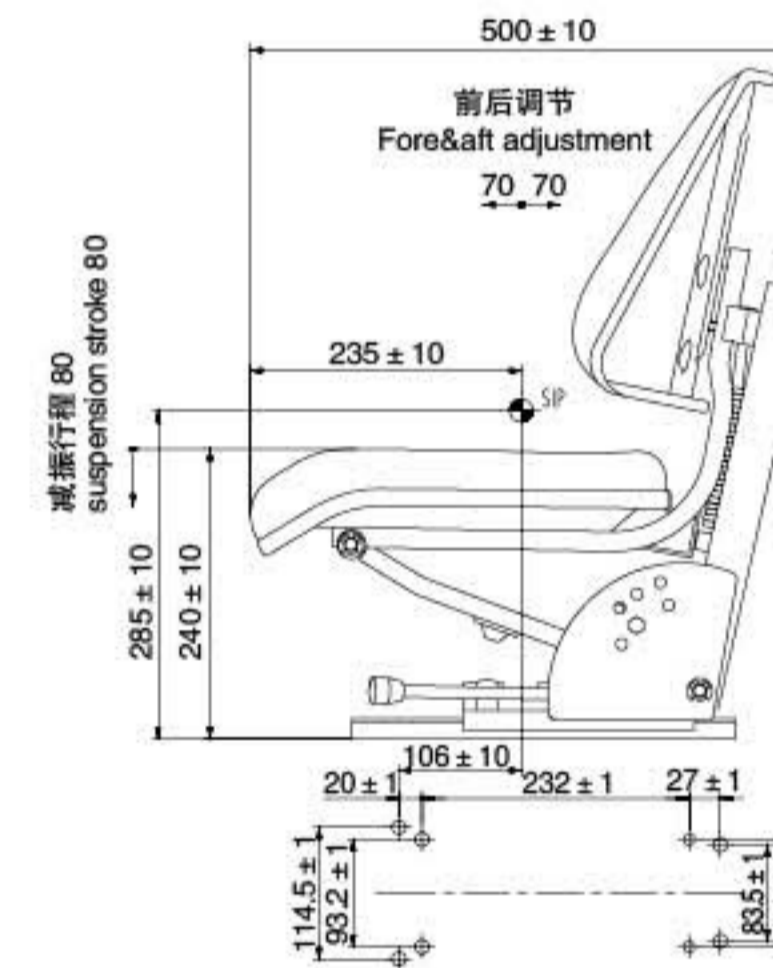
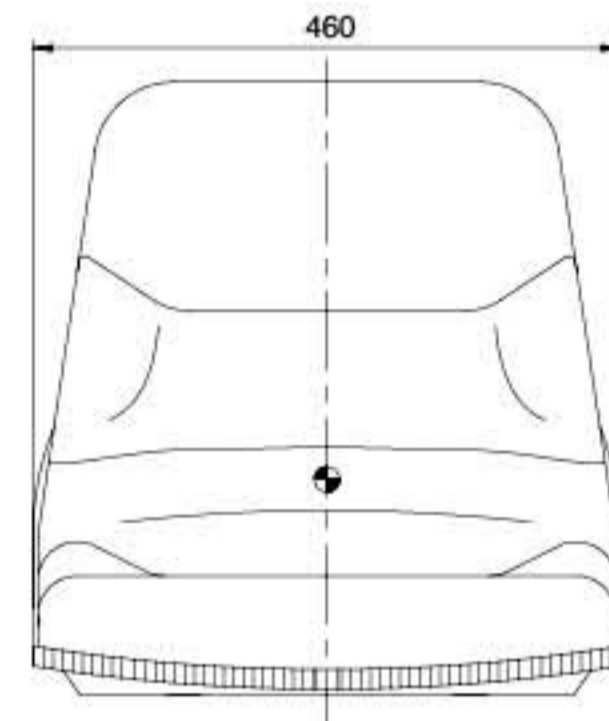
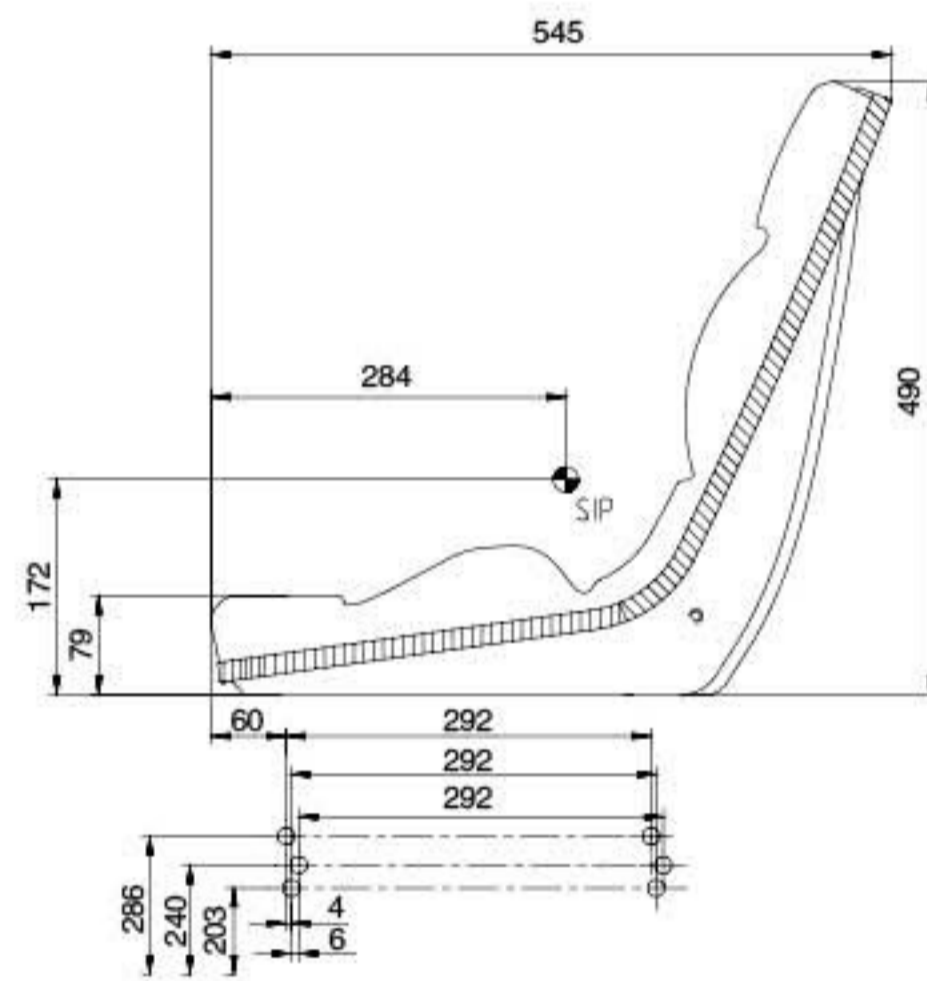
SN5



SN7



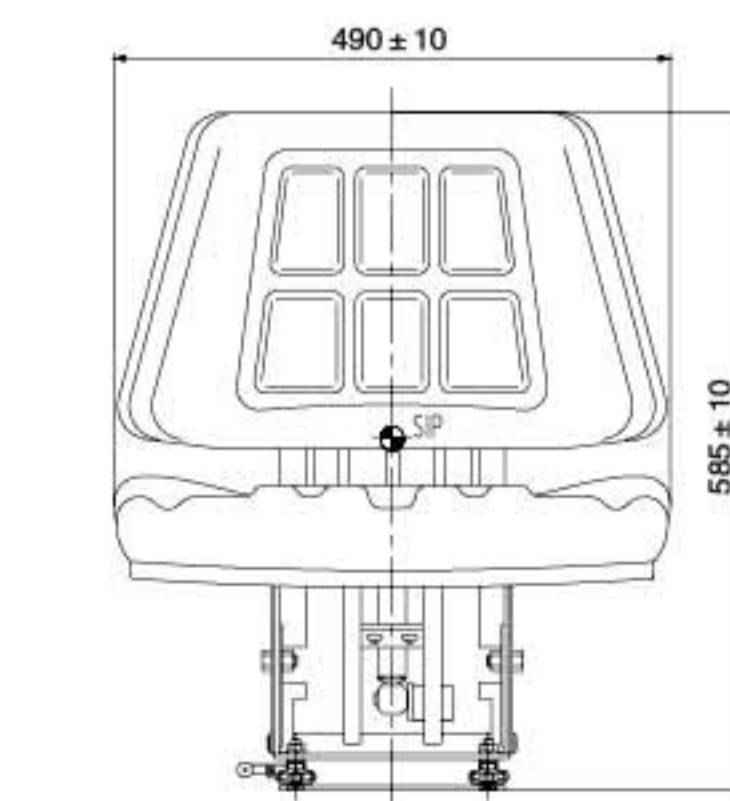
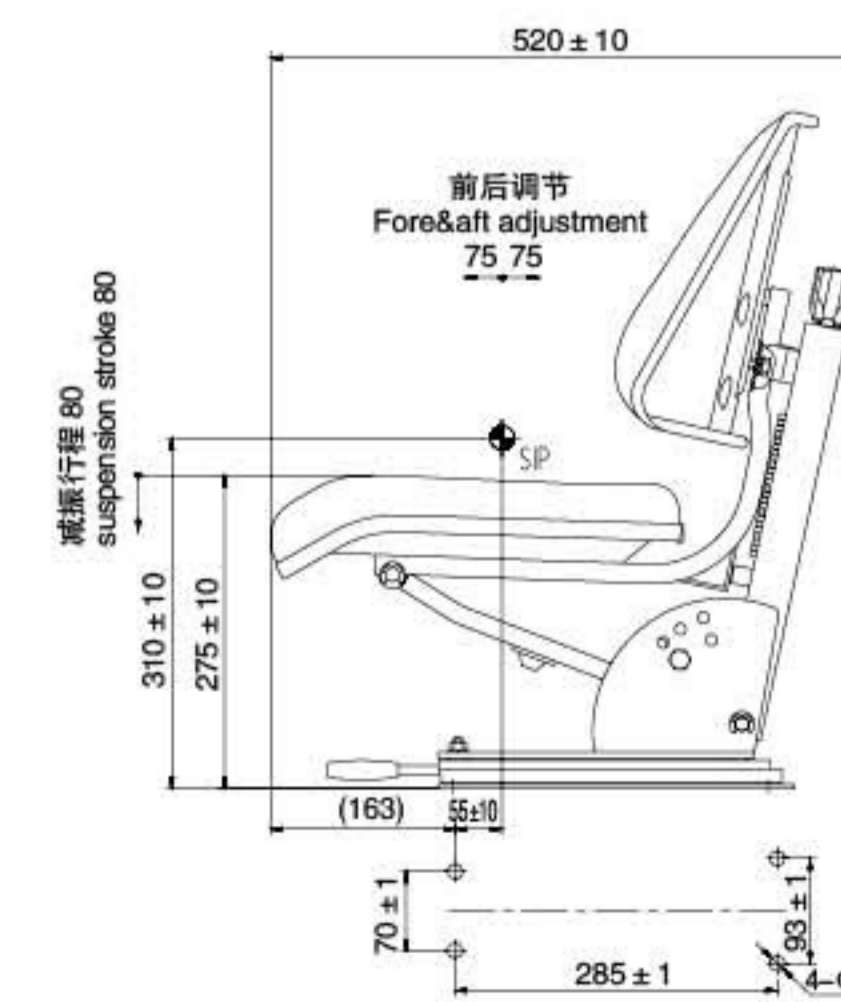
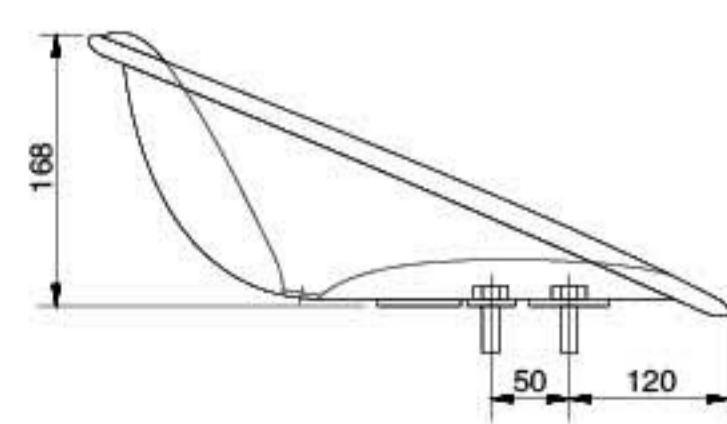
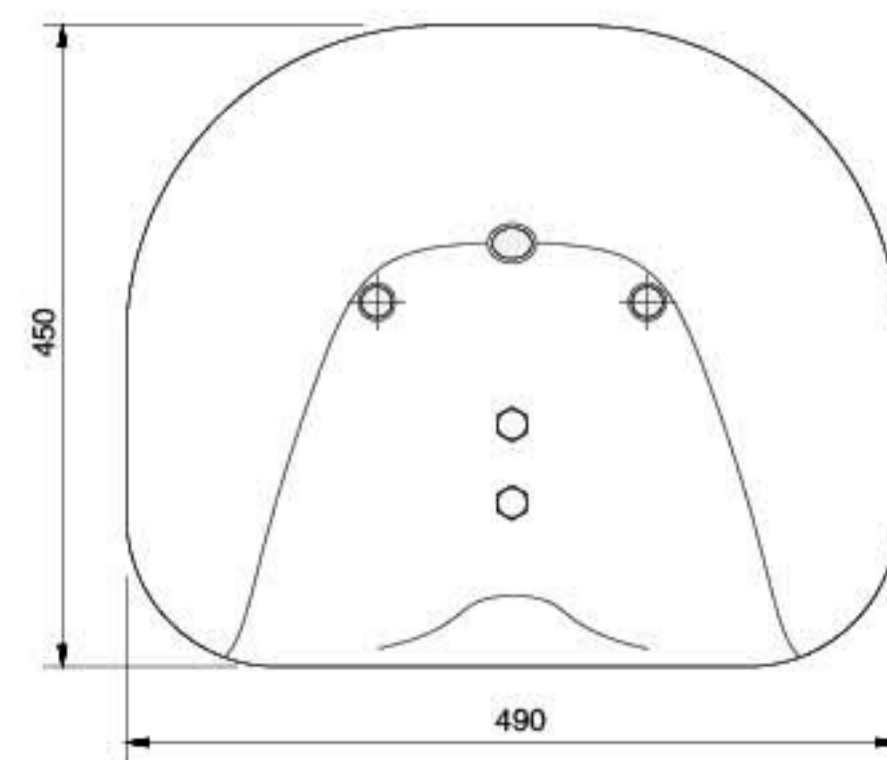
SN3A



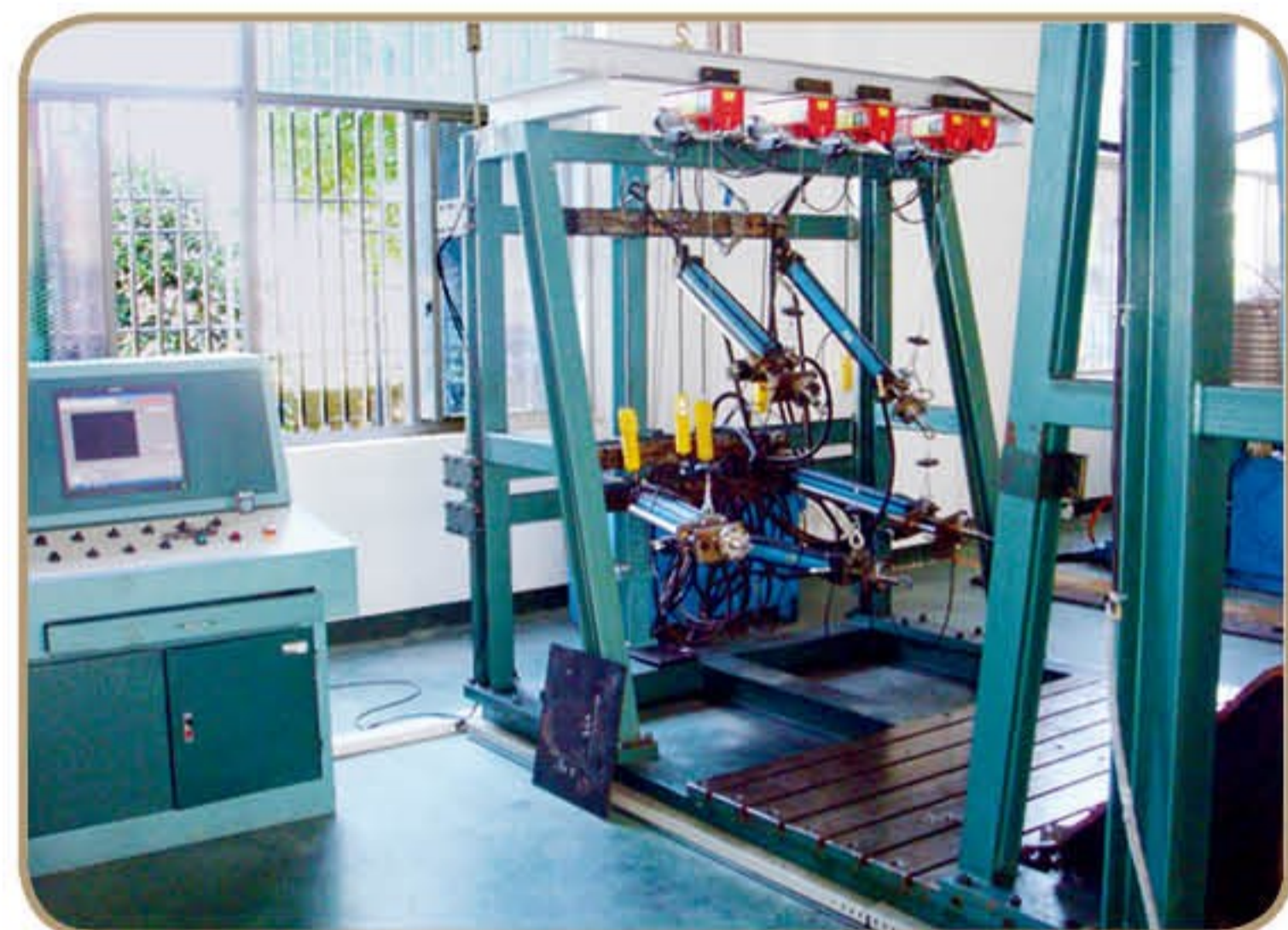
SN7-2



SN9



SN8



✎座椅综合强度试验台 Pull Test Machine
✎座椅综合强度试验台用于座椅静态强度试验、安全带安装固定点强度试验、头枕静态强度试验以及头枕动态强度试验等。To test the static strength of seat As., safety belt fixed point strength, and also the static & dynamic strength of headrest, etc.
✎试验主要依据标准如下: Main Standards:
✎GB15083 / ECE R17——汽车座椅、座椅固定装置及头枕强度要求和试验方法; GB15083 / ECE R17 - Testing methods and strength requirements for the headrest and fixed devices of seats.



座椅振动疲劳试验机 Seat durability testing machine

✎六自由度振动试验台 Six Degrees of Freedom Vibration Shaker

✎用于从汽车实际行驶时采集的六个自由度的路谱数据作为激励信号, 测量座椅的振动舒适性。Measure Vibration comfort of seats by using actual six degrees of freedom signals recorded from the vehicles under working environment.

✎可以利用数据采集系统在整车上采集的振动信号作为激励信号, 进行实际装车性能模拟试验。Simulate vehicle working environment to evaluate seat performance by using recorded signals.



座垫耐磨试验机
Scrub testing machine



座椅全尺寸测量
Seat component dimension measurement



浙江天成自控股份有限公司
Zhejiang Tiancheng Controls Co., Ltd.



地址：中国·浙江省天台县经济开发区

Add: Tiantai Economic Development Zone, Zhejiang, China

电话 Tel: 0086-576-83737708 or 83737706

传真 Fax: 0086-576-83737895

邮政编码 Postcode: 317200

http: //www.china-tc.com

E-mail: ttcbr@china-tc.com or xs@china-tc.com