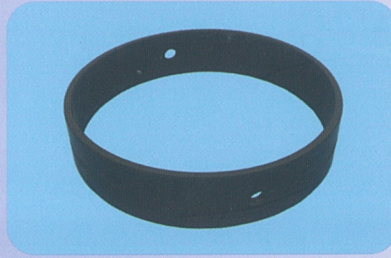
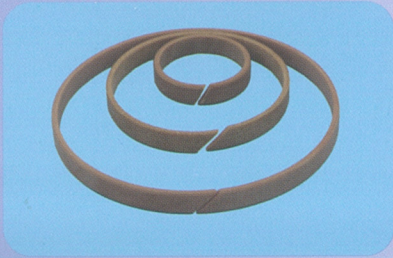
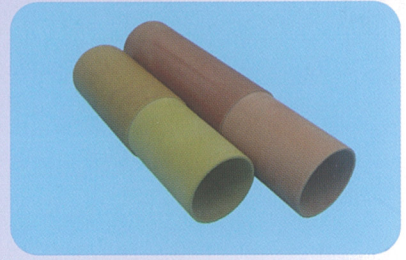
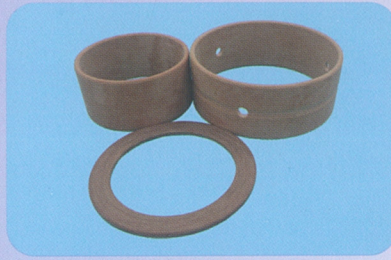




青島大豐密封件有限公司

QINGDAO DAFENG SEALING PRODUCTS CO.,LTD.



PFC高强度夹布酚醛系列产品
PFC High-strength Cloth-reinforced
Phenolic Resin Series Products

DAFENG 公司简介

Company Introduction

青岛大丰公司位于山东省青岛市黄岛区，始建于1982年，总占地面积30亩，总资产3000多万元，是一家专门从事自润滑耐磨的酚醛夹布高分子材料，各种高性能工程塑料，有机合成树脂的专业生产厂家，至今已有三十多年的历史。产品的选材、配方及生产工艺技术等均由对本专业深有造诣的专业技术人员精心研究制定。公司配备了完善的质量检测设备，严格控制产品的质量标准，产品销往东南亚欧洲、南北美和中东等国家。



公司设备先造技术力量雄厚，可依据客户的具体需求加工生产各种尺寸和不同花色品种的产品。公司生产的各项产品已广泛应用于石油化工、机床、机电、工程机械以及矿山机械等各个行业，并深受广大用户的欢迎。此外我公司还为各行业解决了许多工程设计和装备中的技术难题。公司一直以“精益求精，合作共赢”为经营理念，以合理的价格，可靠的质量为新老客户提供优质服务。在此，公司总经理携全体员工热忱欢迎圈内外朋友光临指导，洽谈业务。

Qingdao Dafeng Company was established in 1982, located in Huangdao Qingdao, has an area of 20000 square meters with total capital of more than 30 million yuan. Dafeng company specializes in manufacturing all kinds of Hydraulic Sealing products including Organic synthetical Phenolic resin and Self-lubricating Wear-resisting Phenolic fabric and other high quality engineering plastic elements, The selecting of raw materials, the formula of all elements and the production technology are all developed by senior engineers. The company is established by a complete set of quality testing equipment so that the quality of products can be strictly controlled. Our products have been exported to Southeast Asia, European countries, North and South American, Middle East markets, and accepted by valued customers.

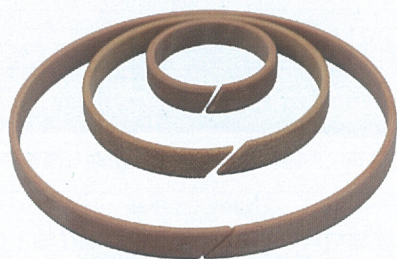
The company is with advanced equipment and high technology, can produce various kinds of products according to customers' detailed requirements, the products of Dafeng are widely used for throughout in great variety of fields, particularly among the petro-chemical industry, machine tools, engineering machineries and mining machines, showing reliability with high performance and economical cost level, Dafeng has also played an important role in solving some tech problems in engineering project designing and installation. We take the managing concept of "Make perfection more perfect, Cooperation and mutual benefits", take reliable quality and economical price and excellent service. Our general manager on behalf of all the staffs warmly welcome friends from all over the world visit and contact.

PFC高强度夹布酚醛材料特性

PFC High-Strength Cloth-Reinforced Material Properties

有机氟高分子材料及高性能工程塑料是尖端科学技术和现代化工业不可缺少的工程材料，其中尤以我公司生产的PFC高强度酚醛夹布制品，更有许多突出的工程使用特性，如宽广的使用温度、高度的化学稳定性，优异的耐磨性、自润滑性和不粘性，以及超常的电绝缘性，并能耐大气老化。

Dafeng's organic fluorine high polymer materials and other high quality engineering plastics are a great help and push both in sophisticated scientific fields and civil industries, especially PFC high strength Bakelite sealing products possess high performance such as wide temperature range, excellent self-lubrication, anti-adhesion, high chemical stability, super insulation and anti-ageing etc.



耐磨环
Wear rings



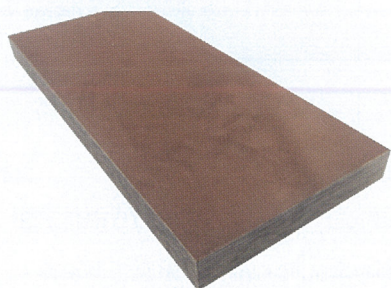
轴承\衬套\止推垫片
Bearings\Bushings\Gasket



轴承
Bearings



酚醛夹布管
Bakelite Pipe



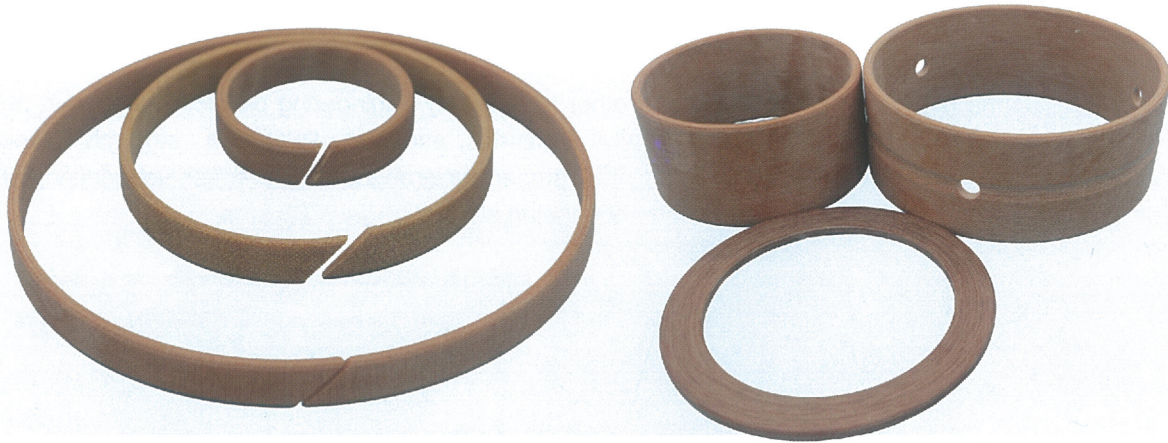
酚醛层压布板
Phenolic cotton cloth laminated sheet



酚醛层压布棒
Phenolic cotton cloth laminated Rod

PFC-DF1 高强度夹布酚醛

PFC-DF1 High-Strength Cloth-Reinforced Phenolic Resin



材料介绍 MATERIAL INTRODUCTION

PFC-DF1材料是采用热固性线型酚醛树脂为基材，以优质棉纤维织物为增强材料，将酚醛树脂薄片绕在轴上进行高温聚合，在一定的温度一定压力下热固成型的高强度复合材料。具有高承载、高精密性、防水、防腐、耐高温性能好，耐磨及良好的尺寸稳定性。可广泛应用于液压缸导向环、支承环、工程机械、工程车辆摆动桥支架衬套、止推垫片、液压机械立柱导套等。

PFC-DF1 is high-strength laminated material based upon the thermosetting phenolic resin and reinforced with high-quality cotton fiber and finally finished, with heat solidifying process under certain pressure and temperature. This material is featured in its high load sustainability, high dimensional accuracy, water resistance, chemical resistance, excellent temperature resistance, abrasion resistance and excellent dimensional stability. It is widely applied to the production of guiding rings of hydraulic cylinders, supporting rings, engineering machineries, bushes for the pivot axles for vehicles, thrust plates, guiding sleeves for the pillars of hydraulic machines etc.

技术参数 TECHNICAL PARAMETERS

型号 Specification	颜色 Color	密度 Density (g/cm ³)	拉伸强度 Tensile strength (MPa)	压缩强度 (MPa) Compressive strength 垂直于层压面 Vertical to the laminated plane	硬度 Hardness HRM	摩擦系数 Specification		工作温度 Temp(°C)
						干 Dry	油润滑 Oil lubrication	
PFC-DF1	浅黄色至深棕色 Light yellow to dark brown	1.30-1.42	43	290	94	0.23	0.15	-40~+180

典型运用 TYPICAL APPLICATION

液压油缸导向环、支承环	Guide rings and support rings of hydraulic cylinders
液压机械、锻压机床立柱导套	guiding sleeves for the vehicle pillar of hydraulic machineries and forging press
工程机械、车辆摆动桥支架衬套	Bushes for the pivot axles for vehicles and engineering machineries

PFC-DF2 高强度夹布酚醛

PFC-DF2 High-Strength Cloth-Reinforced Phenolic Resin

材料介绍

MATERIAL INTRODUCTION

PFC-DF2材料是采用含有均匀弥散石墨的可溶性酚醛树脂和优质棉纤维织物，在一定的温度、一定压力下热固成型的高强度复合材料。具有较高的机械强度、优异的摩擦磨损性能、良好的耐温性、能承受半静态下强烈震勤，冲击载荷及轻度旋转载荷，可在少油或无油状态下工作，通用于工程机械、工程车辆摆动桥支架衬套，锻压机床立柱导套等。



PFC-DF2 is high-strength laminated material is made of solute phenolic resin containing homogenously dispersed graphite and high-quality cotton fiber and finally finished with heat solidifying process under certain pressure and temperature. This material is featured in its high mechanical strength, excellent abrasion resistance and excellent temperature resistance, ability to sustain strong vibration under semi-static state, ability to sustain impact loads and slight torque loads. It can work under conditions where oil is little or even with no oil at all. It is applied to the production of bushes for the pillars of hydraulic machines as well as guiding sleeves for the vehicle pillars of forging presses.

技术参数 TECHNICAL PARAMETERS

型号 Specification	颜色 Color	密度 Density (g/cm ³)	拉伸强度 Tensile strength (MPa)	压缩强度 (MPa) Compressive strength 垂直于层压面 Vertical to the laminated plane	硬度 Hardness HRM	摩擦系数 Specification		工作温度 Temp(°C)
						干 Dry	油润滑 Oil lubrication	
PFC-DF2	黑色 Black	1.28-1.40	38	260	92	0.20	0.11	-40~+180

典型运用 TYPICAL APPLICATION

球阀、蝶阀轴套

Ball valves and butterfly valve bushings

塑胶机械格林柱导套

Plastic mechanical guide sleeves

水利机械轴套

Bushings used in water conservative projects

液压机械、锻压机床立柱导套

Guide sleeves for the vertical pillar of hydraulic machineries and forging press

工程机械、车辆摆动桥支架衬套

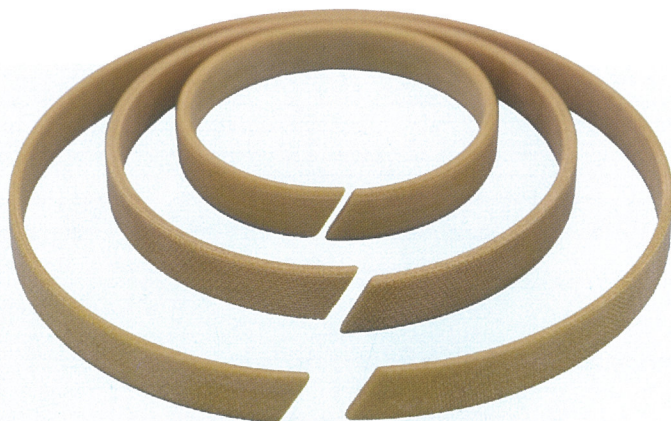
Bushings for the supporting frames of engineering machineries and pivot axles for vehicles

海洋工程装备球形轴承及船用轴承材料

Marine engineering equipment spherical bearings and marine bearing materials

PFC-DF3 高强度夹布酚醛

PFC-DF3 High-Strength Cloth-Reinforced Phenolic Resin



材料介绍 MATERIAL INTRODUCTION

PFC-3材料是采用热固性线型酚醛树脂为基材，以优质高强度聚酯纤维织物为增强材料，在一定的温度和压力下经先进工艺合成的高强度复合材料，具有高承载、耐高温、耐磨和良好的尺寸稳定性、柔韧性及抗冲击性能，可选用于工况环境震动较强的高压油缸导向支承环（如挖掘机、桩工机及煤矿机械等）。材料经填充一定数量的固体润滑材料后还可应用于各类衬套、轴承、止推片等机械零部件。

PFC-3 is a kind of composite material of high strength, taking thermosetting, linear phenolic as basic materials, and taking high quality and strength polyester fiber fabric as strengthening material. It is composed by advanced technology under the certain temperature and pressure. So it gets some excellent features, such as high load sustainability, heat resistance, wear resistance, excellent dimensional stability, flexibility and shock resistance. It is suitable for making orientating and supporting ring of high pressure cylinders (like those in excavators, piling machineries, mining machineries etc) working under the condition with strong shock. By adding into some solid lubricants, it also can be used in making mechanical components such as bushings, bearings, thrust washers and so on.

技术参数 TECHNICAL PARAMETERS

型号 Specification	颜色 Color	密度 Density (g/cm ³)	拉伸强度 Tensile strength (MPa)	压缩强度 (MPa) Compressive strength 垂直于层压面 Vertical to the laminated plane	硬度 Hardness HRM	摩擦系数 Specification		工作温度 Temp(°C)
						干 Dry	油润滑 Oil lubrication	
PFC-DF3	浅黄色至棕色 或黑色 Light yellow to brown or Black	1.35	45	380	91	0.32	0.13	-40~+180

典型运用 TYPICAL APPLICATION

- 液压支架、液压油缸导向环、支承环 Hydraulic support, guide rings and support rings of hydraulic cylinders
- 液压机械、锻压机床立柱导套 Guiding sleeves for the vehicle pillar of hydraulic machineries and forging press
- 工程机械、车辆摆动桥支架衬套 Bushes for the pivot axles for vehicles and engineering machineries

PFC高强度夹布酚醛管材

PFC High-Strength Cloth-Reinforced Phenolic Resin Pipe Material

材料介绍 MATERIAL INTRODUCTION



大丰公司具有生产高品质夹布酚醛产品成熟的生产工艺和巨大的生产能力，可以为用户提供各种规格和配方的夹布酚醛管材，以高品质和齐全的规格及快速的供货能力来满足各类用户的需求。

Relying on matured production technology and tremendous productivity on high-strength fabric based phenolic products, Kintowe Company provides all kinds of fabric based phenolic pipe materials to customers, and satisfy all demands from customers with high quality, full range of specifications and timely supply.

典型运用 TYPICAL APPLICATION

复合材料球形轴承

Spherical Bearings built with composite material

液压缸导向环、支承环

Guide rings and support rings for hydraulic cylinders

机械传动系统衬套、止推垫片

Bushings and thrust washers for mechanical transmission systems

轴承保持架

Bearing's retainers

钢铁工业设备用衬套、垫片

Bushings and washers for machines in steel industry

电力工业绝缘材料

Insulating material for power industry

船舶工业水下轴承材料

Underwater bearing materials for shipbuilding industry



改性酚醛树脂

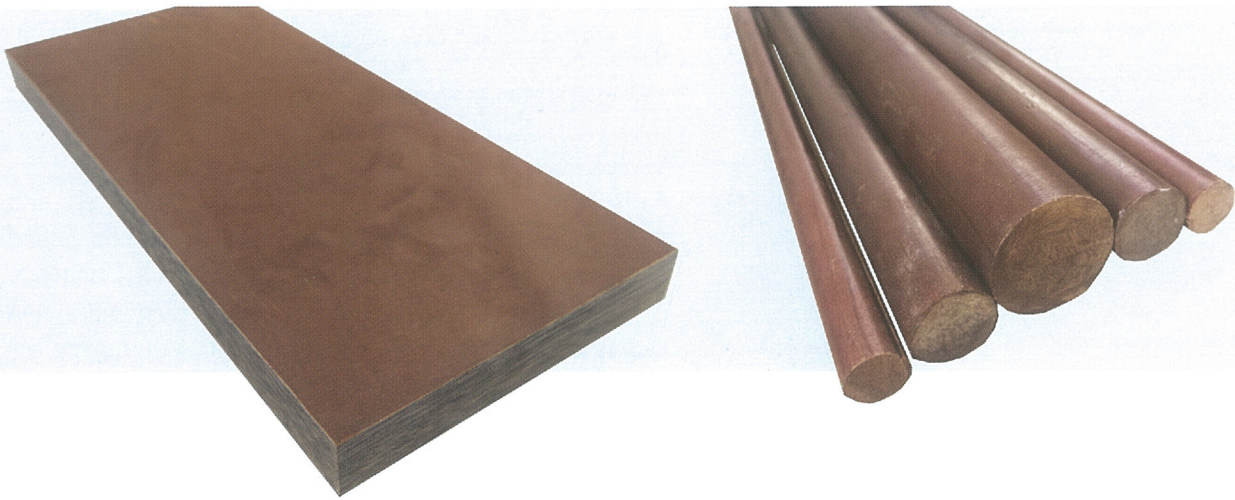
Phenolic Resin

由我公司自行生产的改良性酚醛树脂，具有优异的耐高温性，即使在非常高的温度下，也能保持其结构的整体性和尺寸的稳定性。可为酚醛复合材料制品提供优异的机械强度。同时高强度酚醛夹布系列产品拥有良好的硬度自润滑性，抗冲击性，耐磨性。

The meliorative phenolic resin produced by our factory is with excellent high temperature resistance. The phenolic resin keeps the structural integrity and dimensional stability even under very high temperature so that it can provide excellent mechanical strength for phenolic composite products. In the meantime, high-strength cloth-reinforced phenolic resin series products have good hardness self-lubricity, impact resistance and abrasive resistance.

酚醛层压布板（布棒）

Phenolic Cotton Cloth Laminated Sheet (Rod)



材料介绍 MATERIAL INTRODUCTION

酚醛层压布板、酚醛布棒是由纯棉织物经酚醛树脂浸渍热压处理而成，有较高机械性能，适用于电机、变压器设备中做绝缘结构；纺织机械零部件、耐磨齿轮、轴承保持器、低噪音配件……

板材：厚度0.5-200mm，面积1000×2000mm

Phenolic cotton cloth laminated sheet and Phenolic cotton cloth laminated rod is created from cotton cloth that has been impregnated with phenolic resin under pressure and heat. With high mechanical strength and electrical properties, products are used for the insulating spare parts of the electrical appliances and transformers, textile machines, gears, fixed frame for bearing, low noise machine……

We will make production according to customers' requirements.

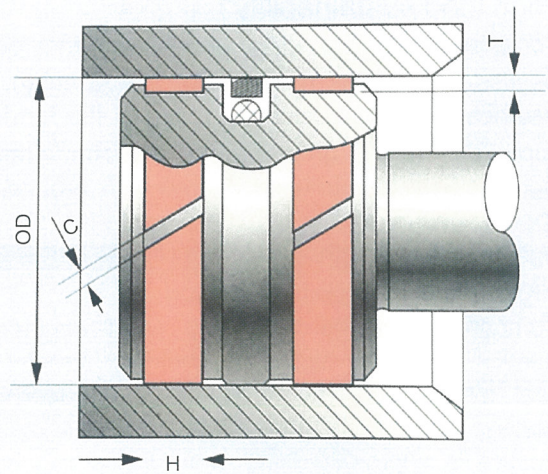
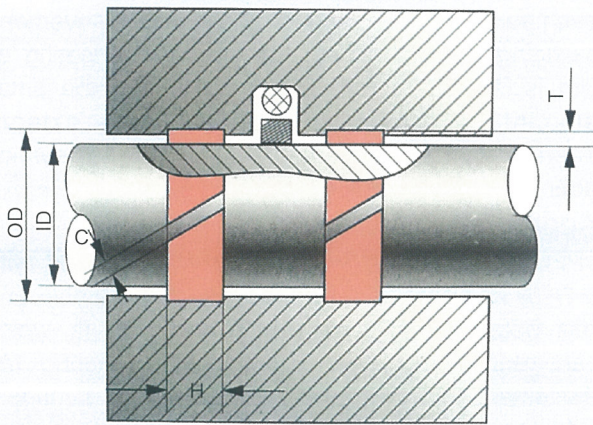
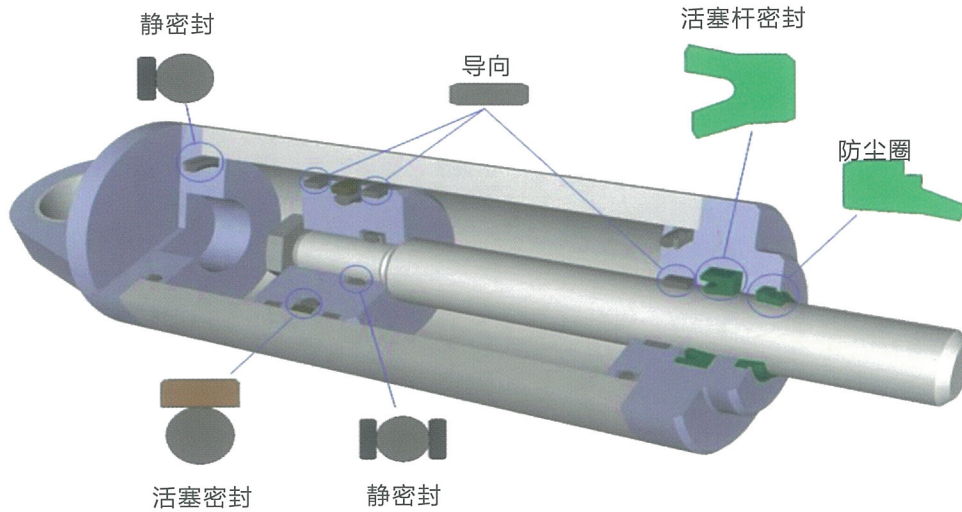
Sheets: Thickness for 0.5-200m, Size for 1000X2000 mm

物理机械和介电性能

PHYSICS MECHANICAL AND INSULATING PERFORMANCE

指标名称 Index	单位 Unit	指标值 Index number scale	指标名称 Index	单位 Unit	指标值 Index number scale	
密度 Density	g/cm ³	≥1.26	平行层向击穿电压 Parallel to fabric layer voltahe	KV	≥10	
弯曲强度 Flexual strength	Mpa	≥90	吸水性 Water absorption 直径 Diameter	%	6mm	≤1.7
压缩强度 Compression strength	Mpa	≥138			13mm	≤1.3
					25mm	≤1.0
					>25-51mm	≤1.2

液压工作原理图 Hydraulic System



材料 Material	内径ID	外径OD	壁厚T	公差T01	高度H	公差T02	切口C
高强度 夹布酚醛 High-strength Cloth-reinforced Phenolic Resin	35-60	ID+5	2.5	-0.02 -0.07	9.5 15 20 25 30	0.00 -0.10	2-5
	65-100	ID+5 ID+6	2.5-3.0				2-6
	105-150	ID+5-ID+7	2.5-3.5				4-8
	155-200	ID+5-ID+8	2.5-4.0				6-8
	205-600	ID+6-ID+10	3.0-5.0			0.00 -0.30	8-10

PFC高强度夹布酚醛材料特性

PFC High-Strength Cloth-Reinforced Material Properties

高承载能力

PFC与常用的工程塑料相比,具有较高的机械强度,例如压缩强度,前者约为后者的2-4倍,显示其高的承载能力。它与青铜相比,由于其比重仅为1/4,因此,亦有较高的比强度。

较高的耐温性能

PFC与常用的工程塑料相比,具有较高的热化学稳定性和热机械稳定性。一般工程塑料长期使用温度约在80-900℃,而PFC可高达160-1800℃,扩大了使用范围。

良好的磨顺性

PFC与青铜相比,硬度较低,有良好的磨顺性,容易走合,且不会磨轴。作为精密轴承,可以免去繁复的研磨工序。此外,

可增加摩擦付之间的真实接触面积,亦就是降低了实际载荷,从而减低磨损。

突出的相容性

由于PFC的分子结构量以碳氢链分子为主与矿物内的分子结构相近。因此,具有特殊的亲油性和相容性,即使在润

High load sustainability

Compared with the commonly used engineering plastics, PFC has high mechanical strength. For instance the compressing strength of the former is approx.2-4 times greater than the latter, showing high load sustainability. Compared with bronze, the specific gravity of PFC is 1/4 of the latter, showing high specific strength.

High temperature resistance

Compared with the frequently used engineering plastics, PFC has high heat chemical stability and heat mechanical stability. Normally the long-time working temperature of frequently used engineering plastics is approx.80-90℃ while PFCs can be as high as 160-180℃, which extends the application scope.

Excellent abrasion resistance

Compared with bronze, PFCs hardness is lower and has excellent abrasion resistance. Therefore, the engagement is easier and PFC will not scratch the shafts. Used to make precision bearings, PFC can eliminate the complicated shaft-grinding process. Besides, the realistic contact area between the sliding pairs is increased, which means a reduction of actual loads and wear.

Outstanding compatibility

Since PFC's molecular amount is mainly constituted by hydrocarbon chain molecules, which is similar to the molecular structure of mineral. Therefore, PFC has special lipophilicity and compatibility. Even under

滑条件比较苛刻的情况下。如频繁启闭,间歇运动、摇摆运动等情况下的摩擦付之间难以形成流体动力润滑油膜时,它仍能最大限度地利用微量的油脂,从而大大地延长加油保养周期和使用寿命。

适当的弹塑性能

PFC是一种弹塑性材料。它与青铜、铸铁等材料相比,易于装配,还具有吸收振动和噪音的功能,降低机件在运动中的冲击力,从而延缓机械的损坏。它与一般工程塑料相比,不易产生塑性变形以致影响其支承功能。

良好的尺寸稳定性

与一般工程塑料相比,PFC的线胀系数较低约为1/2,与尼龙相比其吸水性也较小。因此,作为尺寸精度要求较高的机件如轴承等,PFC制品的过盈性压配与配合间隙等就较易于控制。

良好的亲水特性

含有特殊添加剂的PFC还具有好的亲水性能,它能在全无油的工况条件下,长期安全的在水冷却或在水中工作,免去一套繁复的润滑密封装置。

conditions where the lubricating requirement is strict, such as frequent on-and-off, intermittent movement, swinging movement, etc., where the lubricating oil film is difficult to form, PFC can utilize the small amount of grease to the maximum extend. Therefore, the maintenance interval and service hours are greatly prolonged.

Appropriate elasticity

PFC is a material with elasticity. Compared with bronze and cast iron, PFC is easy to assemble and has vibration and noise absorbing functions, which can reduce the impact to the parts during the movement and postpone the mechanical damages. Compared with normal engineering plastics, the plastic deformation of PFC, which impairs the supporting functions, is not likely to occur.

Excellent dimensional stability

Compared with the frequently used engineering plastic, PFC's linear expansion coefficient is lower, being 1/2 of them. Compared with nylon, PFC's water absorption is lower. Therefore, for machinery parts with high requirements on the precision of dimensions such as bearings, it is easier to control the interference and fit clearance of PFC products.

Excellent hydrophilic feature

PFC containing special additives has excellent hydrophilic features, able to work safely for a long time under water-cooling or in water, where oil is completely absent, making the complicated sealed lubricating device unnecessary.

Specification List 规格表

Item No.	SPECIFICATION			Item No.	SPECIFICATION			Item No.	SPECIFICATION			Item No.	SPECIFICATION		
	ID(mm)	OD(mm)	H(mm)		ID(mm)	OD(mm)	H(mm)		ID(mm)	OD(mm)	H(mm)		ID(mm)	OD(mm)	H(mm)
1	30	35	10	87	65	70	15	173	109	115	15	259	153	160	10
2	30	35	20	88	65	70	20	174	109	115	30	260	153	160	15
3	31	35	10	89	65	70	25	175	110	115	9.5	261	153	160	20
4	32	36	10	90	65	71	20	176	110	115	10	262	155	160	9.5
5	35	39	10	91	66	71	10	177	110	115	12.5	263	155	160	10
6	35	40	9.5	92	66	71	20	178	110	115	15	264	155	160	15
7	35	40	10	93	69	75	12.5	179	110	115	20	265	155	160	20
8	35	40	15	94	69	75	15	180	110	116	10	266	157	165	9.5
9	35	40	20	95	70	75	9.5	181	110	116	30	267	157	165	10
10	36	40	10	96	70	75	10	182	113	120	20	268	157	165	15
11	36	40	25	97	70	75	15	183	113	120	30	269	157	165	20
12	40	45	10	98	70	76	10	184	114	120	10	270	160	165	10
13	40	45	15	99	70	76	20	185	114	120	12	271	160	165	15
14	40	45	20	100	71	76	20	186	114	120	15	272	160	165	20
15	40	45	25	101	74	80	10	187	114	120	20	273	160	165	25
16	40	45	30	102	74	80	12	188	114	120	25	274	162	170	10
17	41	45	20	103	74	80	15	189	114	120	30	275	162	170	15
18	44	50	20	104	74	80	20	190	114	120	35	276	162	170	20
19	45	50	9.5	105	75	80	9.5	191	115	120	9.5	277	165	170	9.5
20	45	50	10	106	75	80	10	192	115	120	10	278	165	170	10
21	45	50	12	107	75	80	12	193	115	120	15	279	165	170	15
22	45	50	15	108	75	80	15	194	115	120	20	280	165	170	20
23	45	50	20	109	75	80	20	195	119	125	9.5	281	170	175	10
24	45	50	25	110	75	80	25	196	119	125	10	282	170	175	25
25	45	50	30	111	75	85	10	197	119	125	15	283	172	180	10
26	45	50	35	112	76	80	10	198	119	125	20	284	172	180	12
27	45	51	12.5	113	76	80	15	199	120	125	9.5	285	172	180	15
28	46	50	10	114	78	84	15	200	120	125	10	286	172	180	20
29	46	50	12	115	79	85	10	201	120	125	15	287	172	180	25
30	46	50	15	116	79	85	15	202	120	125	20	288	174	180	20
31	46	50	20	117	79	85	20	203	120	126	10	289	174	180	35
32	46	50	35	118	79	85	25	204	123	130	15	290	175	180	9.5
33	49	55	15	119	80	85	9.5	205	123	130	20	291	175	180	10
34	49	55	20	120	80	85	10	206	123	130	25	292	175	180	15
35	50	53	12	121	80	85	15	207	124	130	15	293	175	180	20
36	50	55	9.5	122	80	85	20	208	124	130	30	294	175	180	25
37	50	55	10	123	84	90	10	209	125	130	9.5	295	177	185	15
38	50	55	15	124	84	90	12.5	210	125	130	10	296	177	185	45
39	50	55	20	125	84	90	15	211	125	130	15	297	180	185	10
40	50	55	25	126	84	90	20	212	125	130	20	298	180	185	14.8
41	50	55	30	127	85	90	9.5	213	128	135	9.5	299	180	185	25
42	50	56	9.5	128	85	90	15	214	128	135	10	300	180	186	20
43	50	56	10	129	85	90	20	215	128	135	15	301	180	186	25
44	50	56	15	130	86	90	20	216	128	135	20	302	182	190	10
45	50	56	16	131	89	95	10	217	129	135	15	303	182	190	15
46	51	55	10	132	89	95	12.5	218	129	135	20	304	182	190	20
47	51	56	10	133	89	95	15	219	130	135	9.5	305	182	190	25
48	51	56	15	134	89	95	20	220	130	135	10	306	185	190	9.5
49	54	60	15	135	89	95	25	221	130	135	15	307	185	190	10
50	54	60	20	136	90	95	9.5	222	130	136	10	308	185	190	15
51	54	60	25	137	90	95	10	223	130	138	15	309	185	190	30
52	54	60	30	138	90	95	15	224	130	140	30	310	190	195	10
53	54	60	35	139	90	95	20	225	132	138	20	311	190	195	15
54	54	60	40	140	90	95	25	226	133	140	10	312	190	195	20
55	55	60	10	141	91	100	10	227	133	140	15	313	190	195	25
56	55	60	15	142	92	100	10	228	133	140	20	314	190	195	30
57	55	60	20	143	94	100	10	229	134	140	25	315	192	200	10
58	55	60	25	144	94	100	12.5	230	134	140	30	316	192	200	15
59	55	60	30	145	94	100	15	231	135	140	9.5	317	192	200	20
60	55	65	10	146	94	100	20	232	135	140	10	318	192	200	25
61	56	63	15	147	95	100	10	233	135	140	15	319	192	200	30
62	58	63	9.5	148	95	100	15	234	135	140	20	320	192	200	40
63	58	63	10	149	95	100	20	235	138	145	9.5	321	192	200	45
64	58	63	12	150	99	105	10	236	138	145	10	322	192	200	50
65	58	63	15	151	99	105	15	237	138	145	15	323	194	200	10
66	58	63	20	152	99	105	20	238	138	145	20	324	194	200	15
67	58	63	25	153	99	106	25	239	138	150	15	325	194	200	20
68	59	63	10	154	100	105	9.5	240	140	145	9.5	326	194	200	25
69	59	65	10	155	100	105	12.5	241	140	145	10	327	194	200	30
70	59	65	15	156	100	105	15	242	140	145	15	328	195	200	15
71	59	65	20	157	100	105	20	243	140	145	20	329	200	205	25
72	60	65	9.5	158	100	105	25	244	143	150	15	330	212	220	50
73	60	65	10	159	100	106	15	245	143	150	25	331	213	225	25
74	60	65	15	160	100	106	20	246	145	150	9.5	332	217	225	25
75	60	65	20	161	104	110	15	247	145	150	9.7	333	217	225	45
76	60	65	25	162	104	110	20	248	145	150	10	334	217	225	50
77	60	65	30	163	104	110	25	249	145	150	15	335	220	230	25
78	60	66	10	164	105	110	9.5	250	145	150	20	336	235	240	25
79	61	66	20	165	105	110	10	251	147	152	15	337	242	250	15
80	63	69	15	166	105	110	12.5	252	147	159	20	338	242	250	55
81	64	69	10	167	105	110	15	253	148	155	15	339	244	250	20
82	64	69	20	168	105	110	20	254	148	160	10	340	250	255	25
83	64	70	15	169	106	110	15	255	148	160	20	341	252	260	25
84	64	70	20	170	106	112	10	256	150	155	10	342	265	270	25
85	65	70	9.5	171	106	112	15	257	150	155	15	343	275	280	25
86	65	70	10	172	109	115	10	258	150	155	20	344	322	330	30

产品规格范围 RANGE IN mm

从内直径14mm到400mm, 各种尺寸都能生产

We can produce from ID 14mm to 400mm with any OD & thickness



精益求精
合作共赢

Make perfection more perfect,

Cooperation and mutual benefits

地址：青岛市黄岛区喜鹊山路

Add:Xiqieshan Road, Huangdao,
Qingdao, China

Tel:+86-532-86151838

Fax:+86-532-86152668

Mobile:+86-18865326166
+86-18669825789

E-mail:dafengseals@hotmail.com
wearing@hotmail.com

MSN:wearing@hotmail.com

Skype:bonniehal

Http://www.qddafeng.com.cn