

## 公司简介

新乡市弘升振动电机有限公司是国内生产振动电机、防爆振动电机的专业厂家，20多年来，公司产品已畅销全国，并批量出口，产品的质量历经时间的考验，受到国内外用户的普遍赞誉。公司已通过ISO9001国际质量管理体系认证，并多次荣获国家、省、市有关部门颁发的多项荣誉称号。公司位于新乡经开区经九路与支二路交叉口。毗邻郑新快速路、京珠高速、京广铁路、高铁东站，交通便利，四通八达。厂区占地2万多平方米，卧式加工中心、立式加工中心等大型专用设备30多台（套），厂内高级工程师等科研人员占职工总人数的35%，产品全部采用CAXA、Unigraphics、SolidWorks辅助设计。同时，公司与河南工学院、河南科技学院共同建立产学研合作基地，加快了对新产品的开发和研制。

## Brief Introduction to the Company

Xinxiang Hongsheng Vibration Motor Co., Ltd. is a professional manufacturer of vibration motors and explosion-proof vibration motors in China. For more than 20 years, the company's products have been sold nationwide and exported in batches. The product quality has passed the test of time and has been received by users at home and abroad. Generally praised. The company has passed IS9001 international quality management system certification, and has won many honorary titles issued by relevant national, provincial and municipal departments. The company is located at the intersection of Jingjiu Road and Zhier Road in Xinxiang Economic Development Zone. Adjacent to Zheng-Xin Expressway, Beijing-Zhuhai Expressway and East High-speed Railway Station, the transportation is convenient and extends in all directions. The factory covers an area of 20,000 square meters, with more than 30 large-scale special equipment such as horizontal machining centers and vertical machining centers. Senior engineers and other scientific researchers in the factory account for 35% of the total number of employees. All products are designed with CAXA, Unigraphics, SolidWorks. At the same time, the company has established a production-university-research cooperation base with Henan Institute of Technology and Henan University of Science and Technology to accelerate the development and research of new products.



## 产品介绍

公司主要生产 ZW、HMVE、HZW、YZO、JZO 系列卧式、ZL、ZL-C 系列立式振动电机、LZF 系列防闭塞装置、YBZQ 隔爆型振动电机。ZLC 系列立式振动电机是我单位自主研发的国内第二代通用型振动电机，经多年不断完善和发展，使其在新世纪的今天仍具有极强的生命力。ZW、HMVE、HZW、ZLC、ZL 型振动电机是我单位借鉴外国先进技术，与科研单位共同精心研制的新一代通用型振动电机。该产品采用先进的设计方案，选用优化的电磁设计，加装航空密封元件，配备特制专用轴承，使其具有启动力矩大、噪音小、重量轻、防护等级高、使用寿命长等优点。公司产品广泛用于矿产、冶金、铸造、电力、建材、化工、粮食、医药等行业，是各类振动输送、筛分、干燥、光

## 使用特点

- 1、结构简单、维修方便、振动平稳、噪音低。
- 2、激振力可以非常简单的进行无级调节。
- 3、可单台或多台使用，完成各种作业要求。
- 4、规格齐全、形式多样，可满足各种振动机械的工作需要。
- 5、全封闭结构，可在各粉尘（无防爆要求）、潮湿等恶劣环境下可靠工作。
- 6、经特殊设计可用于不同的电压、频率、绝缘和防护等级。
- 7、可定制海拔4500米以上环境使用的振动电机。

## 技术参数

- 1、绝缘等级：B/F/H
- 2、防护等级：IP55/IP65/IP66
- 3、电源电压：220V/380V/440V/660V
- 4、电源频率：50Hz/60Hz
- 5、相级：3相
- 6、工作方式：连续/间断

## Product introduction

The company mainly produces ZW, HMVE, HZW, YZO, JZO, series horizontal, ZL, ZL - C series vertical vibration motor, LZF Series anti blocking device, YBZQ flameproof vibration motor. The ZLC series vertical vibrating motor is the second generation universal vibration motor which is developed by our unit. It has been perfected and developed for many years, so that it still has great vitality in the new century. ZW, HMVE, HZW, ZLC and ZL vibratory motors are new generation general-purpose vibratory motors with the value of drawing lessons from foreign advanced technology and scientific research units. The product adopts the advanced design scheme, select the optimized electromagnetic design, install the aeronautical sealing element, and provide special special bearing, so that it has the advantages of large starting torque, small noise, light weight, high protection grade and long service life. Company products are widely used in mining, metallurgy, casting, electric power, building materials, chemical industry, food, medicine, etc, are all kinds of vibrating conveyer, screening, drying, finishing, grinding, crushing equipment of ideal power

## Application features

1. Simple structure, convenient maintenance, smooth vibration and low noise.
2. Exciting force can do infinitely variable control very simply.
3. The products can be used singly or with multiple combinations to complete the work according requirements.
4. with complete specifications and various kinds of shapes, the products can meet the demands of all kinds of vibrating machineries.
5. with full closed structure, the products can be used under the bad conditions including different kinds of bug dust (Note: no explosion-proof requirement) or humidity.
6. Through special designs, the products can be used in different voltage, frequency, insulation and protection stages.
7. Can be customized at an altitude of 4500 meters above the environment using the vibration of the

## Application conditions

1. Insulating stage: B/F/H
2. Protection stage: IP55/IP65/IP66
3. Voltage: 220V/380V/440V/660V
4. Frequency: 50Hz/60Hz
5. Phase stage: 3
6. Mode of operation: continuous/intermittent

**客户** 使用现场  
Customer use site



# 目 录

## CONTENTS

<b>1</b>	<b>ZW系列</b> .....	<b>01</b>
	ZW series	
<b>2</b>	<b>HMVE系列</b> .....	<b>05</b>
	HMVE series	
<b>3</b>	<b>HZW系列</b> .....	<b>09</b>
	HZW series	
<b>4</b>	<b>YBZQ ( EX D II B T4 Gb ) 系列</b> .....	<b>13</b>
	YBZQ (EX D II B T4 Gb) series	
<b>5</b>	<b>YBZQ ( EX D I Mb ) 系列</b> .....	<b>14</b>
	YBZQ (EX D I MB) series	
<b>6</b>	<b>JZO/YZO系列</b> .....	<b>15</b>
	JZO/YZO series	
<b>7</b>	<b>ZL系列</b> .....	<b>16</b>
	ZL series	
<b>8</b>	<b>ZLF系列</b> .....	<b>17</b>
	ZLF series	
<b>9</b>	<b>ZLC系列</b> .....	<b>17</b>
	ZLC series	

## ZW系列 振动电机技术参数

The teohnical and installation size of ZW series vibrator motors



### 2 POLES-3000 rpm

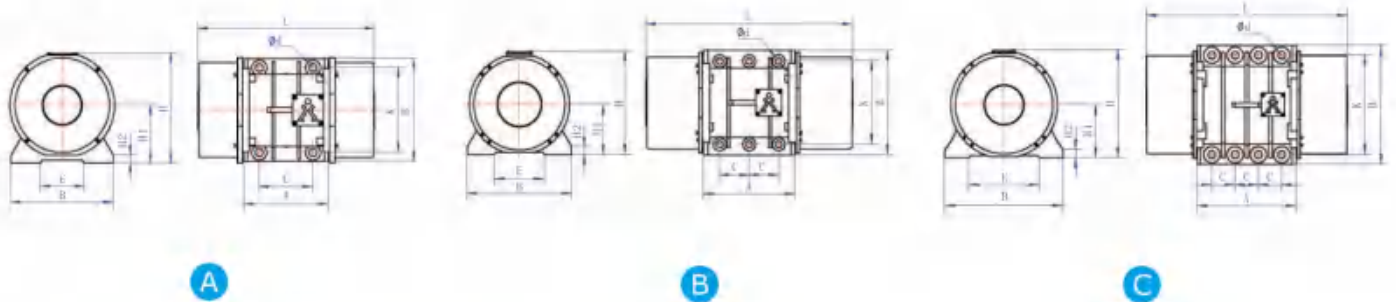
序号	型号Type	激振力Force (KN)	功率Power (KW)	电流Current (A)	重量Weight (Kg)	机座号
1	ZW-0.7-2	0.7	0.075	0.24	13	70
2	ZW-1.5-2	1.5	0.15	0.4	15	85
3	ZW-2.5-2	2.5	0.25	0.58	18	85
4	ZW-5-2	5	0.4	1.02	35	100
5	ZW-8-2	8	0.75	1.76	61	140
6	ZW-10-2	10	1.1	2.56	65	140
7	ZW-16-2	16	1.5	3.7	95	170
8	ZW-20-2	20	1.8	4.26	98	170
9	ZW-30-2	30	3	7.6	150	170

### 4 POLES-1500 rpm

序号	型号Type	激振力Force (KN)	功率Power (KW)	电流Current (A)	重量Weight (Kg)	机座号
1	ZW-1.2-4	1.2	0.1	0.34	16	85
2	ZW-2.5-4	2.5	0.1	0.34	24	85
3	ZW-5-4	5	0.25	0.65	40	120
4	ZW-8-4	8	0.4	1.16	68	140
5	ZW-10-4	10	0.55	1.59	72	140
6	ZW-16-4	16	0.75	1.91	105	140
7	ZW-20-4	20	1.1	2.81	105	140
8	ZW-25-4	25	1.5	3.84	110	170
9	ZW-32-4	32	2	4.69	165	170
10	ZW-40-4	40	2.2	5.1	180	225
11	ZW-50-4	50	2.5	6.3	253	225
12	ZW-75-4	75	4	10.18	343	230
13	ZW-100-4	100	6	15.8	420	230
14	ZW-120-4	120	8	19.6	520	260
15	ZW-140-4	140	10	24.16	630	260
16	ZW-160-4	160	12	28.5	680	260

# ZW系列 振动电机安装尺寸

The technical and installation size of ZW series vibrator motors



## 2 POLES-3000 rpm

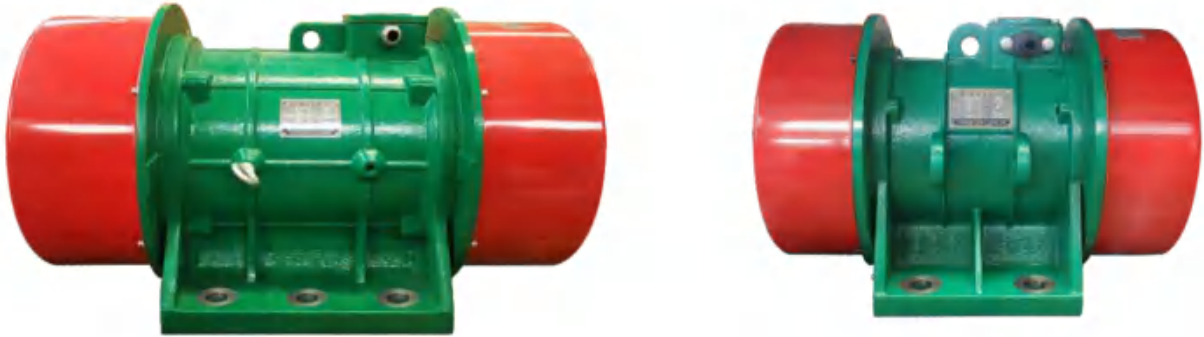
序号	型号Type	安装尺寸 (mm)				外形尺寸Dimeneion (mm)							图号
		C	K	$\phi d$	L	A	B	E	H	H1	H2		
1	ZW-0.7-2	116	152	8	270	140	175	60	170	70	22	A	
2	ZW-1.5-2	100	150	13	308	150	180	70	192	85	20	A	
3	ZW-2.5-2	100	150	13	310	150	180	70	192	85	20	A	
4	ZW-5-2	120	150	18	390	200	200	60	202	100	16	A	
5	ZW-8-2	135	230	18	460	245	280	130	276	140	20	A	
6	ZW-10-2	135	230	18	460	245	280	130	276	140	20	A	
7	ZW-16-2	140	260	22	530	280	310	140	327	170	25	A	
8	ZW-20-2	140	260	22	530	280	310	140	327	170	25	A	
9	ZW-30-2	140	260	22	550	280	310	140	327	170	25	A	

## 4 POLES-1500 rpm

序号	型号Type	安装尺寸 (mm)				外形尺寸Dimeneion (mm)							图号
		C	K	$\phi d$	L	A	B	E	H	H1	H2		
1	ZW-1.2-4	100	150	13	310	150	180	70	192	85	20	A	
2	ZW-2.5-4	100	150	13	330	150	180	70	192	85	20	A	
3	ZW-5-4	120	180	18	410	190	230	120	230	120	20	A	
4	ZW-8-4	135	230	18	460	245	280	130	276	140	20	A	
5	ZW-10-4	135	230	18	460	245	280	130	276	140	20	A	
6	ZW-16-4	140	260	22	510	250	310	140	327	140	25	A	
7	ZW-20-4	140	260	22	510	250	310	140	327	140	25	A	
8	ZW-25-4	140	260	22	530	280	310	140	327	170	25	A	
9	ZW-32-4	140	260	22	530	280	310	140	327	170	25	A	
10	ZW-40-4	210	330	32	670	340	400	170	420	225	30	A	
11	ZW-50-4	210	330	32	670	340	400	170	420	225	30	A	
12	ZW-75-4	135	380	32	830	430	460	200	450	230	35	B	
13	ZW-100-4	135	380	32	940	430	460	200	450	230	35	B	
14	ZW-120-4	118	460	38	1010	520	550	340	520	260	38	C	
15	ZW-140-4	118	460	38	1010	520	550	340	520	260	38	C	
16	ZW-160-4	120	510	38	1010	520	550	340	520	260	38	C	

## ZW系列 振动电机技术参数

The technical and installation size of ZW series vibrator motors

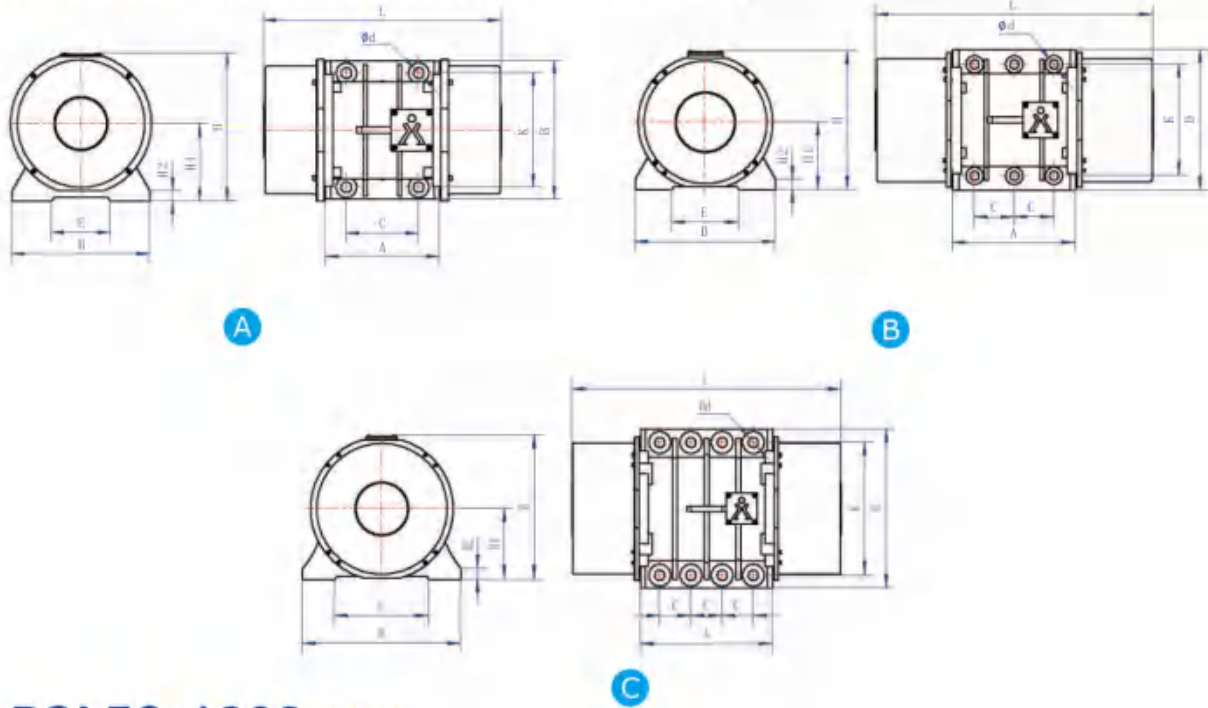


### 6 POLES-1000 rpm

序号	型号Type	激振力Force (KN)	功率Power (KW)	电流Current (A)	重量Weight (Kg)	机座号
1	ZW-2.5-6	2.5	0.2	0.71	43	120
2	ZW-5-6	5	0.4	1.23	50	120
3	ZW-8-6	8	0.55	1.68	80	140
4	ZW-10-6	10	0.75	2.3	82	140
5	ZW-16-6	16	1.1	3.35	110	140
6	ZW-18-6	18	1.1	3.65	120	140
7	ZW-20-6	20	1.5	3.8	125	140
8	ZW-26-6	26	1.9	4.8	143	170
9	ZW-30-6	30	2.2	5.52	180	200
10	ZW-40-6	40	3	7.7	210	200
11	ZW-50-6	50	3.7	9.8	270	225
12	ZW-75-6	75	5.5	13.3	404	230
13	ZW-100-6	100	7.5	18	501	230
14	ZW-120-6	120	9	23	699	260
15	ZW-130-6	130	10	25	720	260
16	ZW-140-6	140	12	28.5	756	260
17	ZW-150-6	150	13	31	820	260
18	ZW-160-6	160	14	32	843	270
19	ZW-180-6	180	16	36	910	270
20	ZW-200-6	200	18	40	950	270
21	ZW-260-6	260	20	44	1430	310
22	ZW-300-6	300	23	53	1460	310

# ZW系列 振动电机安装尺寸

The technical and installation size of ZW series vibrator motors



## 6 POLES-1000 rpm

序号	型号Type	安装尺寸 (mm)			外形尺寸Dimension (mm)								图号
		C	K	$\Phi d$	L	A	B	E	H	H1	H2		
1	ZW-2.5-6	120	180	18	410	190	230	120	230	120	20	A	
2	ZW-5-6	120	180	18	410	190	230	120	230	120	20	A	
3	ZW-8-6	120	180	18	410	190	230	120	230	120	20	A	
4	ZW-10-6	135	230	18	460	245	280	130	276	140	20	A	
5	ZW-16-6	135	230	18	595	290	280	130	276	140	20	A	
6	ZW-18-6	140	260	22	510	250	310	140	327	140	25	A	
7	ZW-20-6	140	260	22	510	250	310	140	327	140	25	A	
8	ZW-26-6	140	260	22	550	280	310	140	327	170	25	A	
9	ZW-30-6	160	320	32	546	290	390	190	390	200	28	A	
10	ZW-40-6	160	320	32	546	290	390	190	390	200	28	A	
11	ZW-50-6	210	330	32	670	340	400	170	420	225	30	A	
12	ZW-75-6	135	380	32	830	430	460	200	450	230	35	B	
13	ZW-100-6	135	380	32	940	430	460	200	450	230	35	B	
14	ZW-120-6	118	460	38	1010	520	550	340	520	260	38	C	
15	ZW-130-6	118	460	38	1010	520	550	340	520	260	38	C	
16	ZW-140-6	118	460	38	1040	520	550	340	520	260	38	C	
17	ZW-150-6	118	460	38	1040	520	550	340	520	260	38	C	
18	ZW-160-6	120	510	38	1080	520	610	360	548	270	40	C	
19	ZW-180-6	120	510	38	1080	520	610	360	548	270	40	C	
20	ZW-200-6	120	510	38	1120	520	610	360	548	270	40	C	
21	ZW-260-6	140	540	45	1200	600	660	380	620	310	45	C	
22	ZW-300-6	140	540	45	1250	600	660	380	620	310	45	C	



## HMVE系列 振动电机技术参数

The technical and installation size of HMVE series vibrator motors



### 2 POLES-3000 rpm

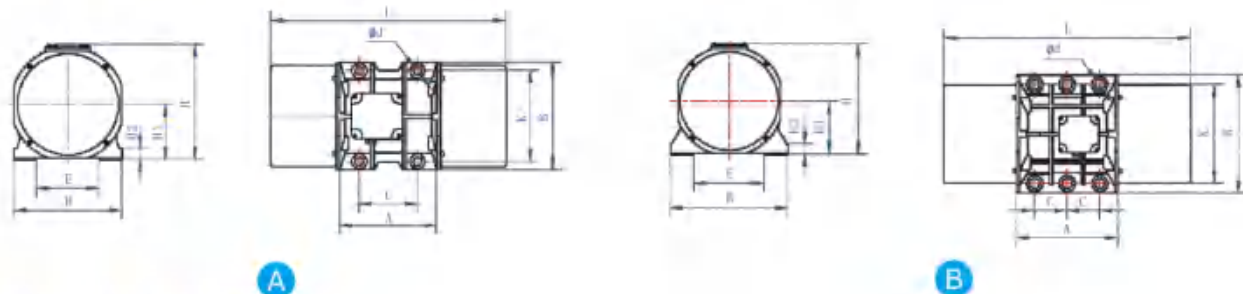
序号	型号Type	激振力Force (KN)	功率Power (KW)	电流Current (A)	重量Weight (Kg)	机座号
1	HMVE60/2	0.7	0.08	0.16	5.6	H64
2	HMVE100/2	1	0.1	0.19	5.9	H64
3	HMVE200/2	2	0.17	0.35	7	H64
4	HMVE300/2	3	0.2	0.52	10.4	H79
5	HMVE400/2	4	0.2	0.58	10.8	H79
6	HMVE500/2	5	0.45	0.96	18.8	H94
7	HMVE700/2	7	0.5	1.25	20	H94
8	HMVE800/2	8	0.55	1.45	21.5	H94
9	HMVE1200/2	10	0.75	1.85	22.5	H94
10	HMVE1300/2	13	1.1	2.44	24.5	H94
11	HMVE1600/2	16	1.25	2.94	51.6	H120
12	HMVE1800/2	18	1.5	3.75	51.8	H120
13	HMVE2000/2	20	2	4.07	52	H120
14	HMVE2300/2	23	2	4.44	53.6	H120
15	HMVE3200/2	32	2.2	5.3	96.9	H147
16	HMVE4000/2	40	2.3	5.3	107	H147
17	HMVE5000/2	50	3.5	7.22	111.2	H147
18	HMVE6500/2	65	4.2	9.5	203.5	H203
19	HMVE9000/2	90	7.2	17.8	215.6	H203
20	HMVE12000/2	120	10	19	267.8	H205
21	HMVE15000/2	150	15	27.5	325	H205

### 4 POLES-1500 rpm

序号	型号Type	激振力Force (KN)	功率Power (KW)	电流Current (A)	重量Weight (Kg)	机座号
1	HMVE40/4	0.4	0.03	0.26	5.9	H48
2	HMVE80/4	0.8	0.04	0.31	7.4	H64
3	HMVE200/4	2	0.06	0.49	11.8	H79
4	HMVE400/4	4	0.3	0.84	23.5	H94
5	HMVE500/4	5	0.37	1.06	24.2	H94
6	HMVE700/4	7	0.55	1.32	27.4	H94
7	HMVE800/4	8	0.6	1.36	28.3	H94
8	HMVE1400/4	14	0.85	1.78	59.8	H120
9	HMVE1700/4	17	1.1	2.09	68.8	H120
10	HMVE2400/4	24	1.3	3.2	79	H120
11	HMVE3000/4	30	2.3	3.68	125	H147
12	HMVE3800/4	38	2.3	4.15	130.4	H147
13	HMVE4300/4	43	2.6	4.5	134.4	H147
14	HMVE5500/4	55	2.3	6.5	192.2	H168
15	HMVE7200/4	72	3	8.5	231.5	H203
16	HMVE9000/4	90	5.8	13.5	245	H203
17	HMVE10000/4	100	6.3	14.5	308	H205

# HMVE系列 振动电机安装尺寸

The technical and installation size of HMVE series vibrator motors



## 2 POLES-3000 rpm

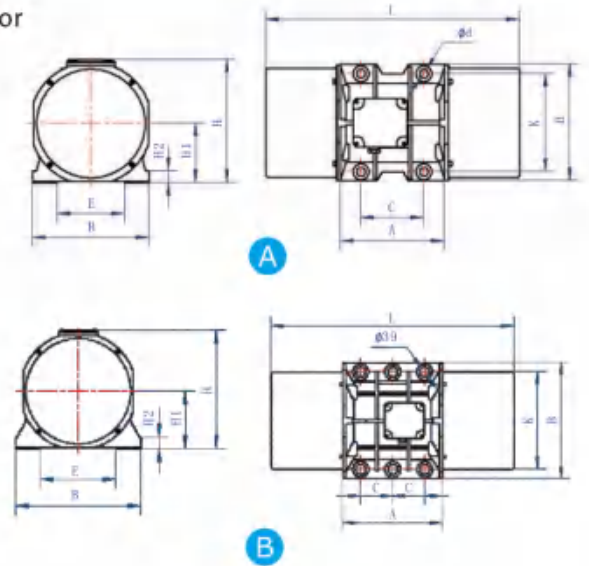
序号	型号Type	C	K	d	L	A	B	E	H	H1	H2	图号
1	HMVE60/2	62-74	106	9	231	123	131	60	159	64	15	A
2	HMVE100/2	62-74	106	9	231	123	131	60	159	64	15	A
3	HMVE200/2	62-74	106	9	231	123	131	60	159	64	15	A
4	HMVE300/2	90	125	13	273	163	155	60	175	79	15	A
5	HMVE400/2	90	125	13	273	163	155	60	175	79	15	A
6	HMVE500/2	120	170	17	362	205	208	108	210	94	22	A
7	HMVE700/2	120	170	17	362	205	208	108	210	94	22	A
8	HMVE800/2	120	170	17	362	205	208	108	210	94	22	A
9	HMVE1200/2	120	170	17	362	205	208	108	210	94	22	A
10	HMVE1300/2	120	170	17	362	205	208	108	210	94	22	A
11	HMVE1600/2	140	190	17	421	225	229	119	262	120	30	A
12	HMVE1800/2	140	190	17	421	225	229	119	262	120	30	A
13	HMVE2000/2	140	190	17	421	225	229	119	262	120	30	A
14	HMVE2300/2	140	190	17	421	225	229	119	262	120	30	A
15	HMVE3200/2	155	255	25	553	288	302	172	318	147	35	A
16	HMVE4000/2	155	255	25	553	288	302	172	318	147	35	A
17	HMVE5000/2	155	255	25	553	288	302	172	318	147	35	A
18	HMVE6500/2	200	320	28	624	364	385	235	402	203	40	A
19	HMVE9000/2	200	320	28	624	364	385	235	402	203	40	A
20	HMVE12000/2	125	380	39	648	388	452	272	415	205	40	B
21	HMVE15000/2	125	380	39	648	388	452	272	415	205	40	B

## 4 POLES-1500 rpm

序号	型号Type	C	K	d	L	A	B	E	H	H1	H2	图号
1	HMVE40/4	62-74	106	9	231	121	130	60	136	48	12	A
2	HMVE80/4	62-74	106	9	231	123	131	60	159	64	15	A
3	HMVE200/4	90	125	13	273	163	154	60	175	79	15	A
4	HMVE400/4	120	170	17	362	205	208	60	210	94	22	A
5	HMVE500/4	120	170	17	362	205	208	60	210	94	22	A
6	HMVE700/4	120	170	17	362	205	208	60	210	94	22	A
7	HMVE800/4	120	170	17	362	205	208	60	210	94	22	A
8	HMVE1400/4	140	190	17	453	225	229	119	262	120	30	A
9	HMVE1700/4	140	190	17	453	225	229	119	262	120	30	A
10	HMVE2400/4	140	190	17	519	225	229	119	262	120	30	A
11	HMVE3000/4	155	255	23.5	603	288	302	172	318	147	35	A
12	HMVE3800/4	155	255	23.5	603	288	302	172	318	147	35	A
13	HMVE4300/4	155	255	23.5	603	288	302	172	318	147	35	A
14	HMVE5500/4	180	280	26	603	304	332	192	360	168	37	A
15	HMVE7200/4	200	320	28	624	364	385	235	402	203	40	A
16	HMVE9000/4	200	320	28	624	364	385	235	402	203	40	A
17	HMVE10000/4	125	380	39	728	388	482	272	415	205	40	B

# HMVE系列 振动电机技术参数

The technical and installation size of HMVE series vibrator

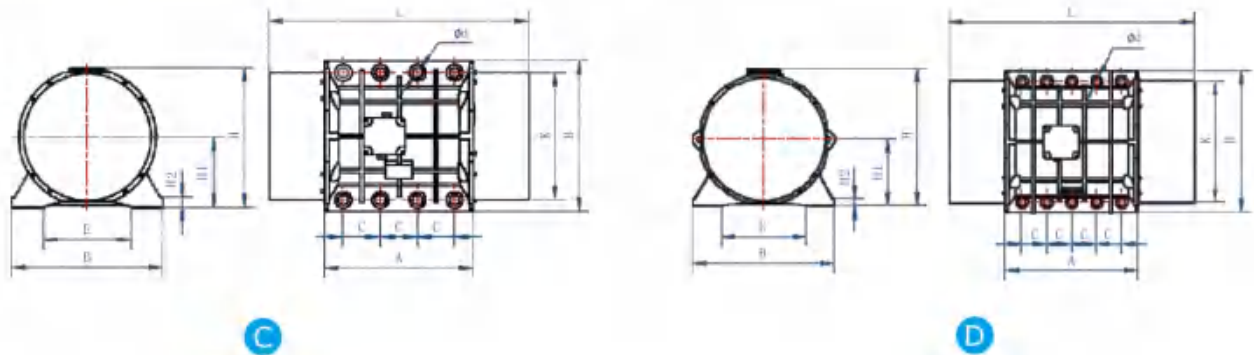


## 6 POLES-1000 rpm

序号	型号Type	激振力Force (KN)	功率Power (KW)	电流Current (A)	重量Weight (Kg)	机座号
1	HMVE50/6	0.5	0.03	0.38	10.4	H79
2	HMVE200/6	1.8	0.05	0.48	19.6	H94
3	HMVE300/6	3	0.16	0.67	26.6	H94
4	HMVE400/6	4	0.25	0.78	30.5	H94
5	HMVE500/6	5	0.37	1.22	34	H94
6	HMVE800/6	7.8	0.45	1.26	61.8	H120
7	HMVE1100/6	11	0.55	1.42	79.4	H120
8	HMVE1400/6	14	0.7	1.95	81.7	H120
9	HMVE1500/6	15	0.7	2	83.6	H120
10	HMVE1600/6	16	0.75	2.06	85.4	H120
11	HMVE2100/6	21	1.1	2.96	114.1	H140
12	HMVE2600/6	26	1.5	3.79	149.1	H147
13	HMVE3000/6	30	1.7	4.15	155.3	H147
14	HMVE3800/6	38	2	4.91	215.5	H170
15	HMVE4700/6	47	2.35	5.5	228.8	H170
16	HMVE5200/6	52	2.6	6.86	279.9	H203
17	HMVE6500/6	65	2.9	7.62	304.3	H203
18	HMVE8000/6	80	4.5	9.95	315.9	H203
19	HMVE9000/6	90	5	11.08	335.7	H203
20	HMVE10000/6	100	6.2	12.55	385.6	H205
21	HMVE13000/6	130	7	14.25	422.2	H205
22	HMVE15000/6	150	9	18.18	686.6	H268
23	HMVE17500/6	175	11	22.34	744	H268
24	HMVE19500/6	195	12	24.59	768	H268
25	HMVE22000/6	220	16	30.65	916	H297
26	HMVE25000/6	250	16	31.34	994	H297
27	HMVE30000/6	300	23	44.51	1235	H320
28	HMVE40000/6	400	30	57.5	1760	H350

# HMVE系列 振动电机安装尺寸

The technical and installation size of HMVE series vibrator motors



## 6 POLES-1000 rpm

序号	型号Type	C	K	d	L	A	B	E	H	H1	H2	图号
1	HMVE50/6	90	125	13	273	163	154	60	175	79	15	A
2	HMVE200/6	120	170	17	362	205	208	108	210	94	22	A
3	HMVE300/6	120	170	17	362	205	208	108	210	94	22	A
4	HMVE400/6	120	170	17	451	205	208	108	210	94	22	A
5	HMVE500/6	120	170	17	451	205	208	108	210	94	22	A
6	HMVE800/6	120	170	17	453	225	229	119	262	120	30	A
7	HMVE1100/6	140	190	17	519	225	229	119	262	120	30	A
8	HMVE1400/6	140	190	17	567	225	229	119	262	120	30	A
9	HMVE1500/6	140	190	17	567	225	229	119	262	120	30	A
10	HMVE1600/6	140	190	17	567	225	229	119	262	120	30	A
11	HMVE2100/6	155	225	22	623	255	275	155	290	140	30	A
12	HMVE2600/6	155	255	23.5	692	282	304	174	314	147	30	A
13	HMVE3000/6	155	255	23.5	692	282	304	174	314	147	30	A
14	HMVE3800/6	180	280	26	683	317	332	192	354	170	35	A
15	HMVE4700/6	180	280	26	733	317	332	192	354	170	35	A
16	HMVE5200/6	200	320	28	704	364	385	235	402	203	40	A
17	HMVE6500/6	200	320	28	704	364	385	235	402	203	40	A
18	HMVE8000/6	200	320	28	774	364	385	235	402	203	40	A
19	HMVE9000/6	200	320	28	774	364	385	235	402	203	40	A
20	HMVE10000/6	125	380	39	908	388	452	272	415	205	40	B
21	HMVE13000/6	125	380	39	948	388	452	272	415	205	40	B
22	HMVE15000/6	140	480	45	980	560	570	330	542	268	48	C
23	HMVE17500/6	140	480	45	1060	560	570	330	542	268	48	C
24	HMVE19500/6	140	480	45	1060	560	570	330	542	268	48	C
25	HMVE22000/6	140	520	45	1130	560	610	360	594	297	42	C
26	HMVE25000/6	140	520	45	1130	560	610	360	594	297	42	C
27	HMVE30000/6	140	600	45	1167	585	700	400	636	320	45	C
28	HMVE40000/6	130	630	45	1278	690	740	420	704	320	55	D

## HZW系列 振动电机技术参数

The technical and installation size of HZW series vibrator motors



### 2 POLES-3000 rpm

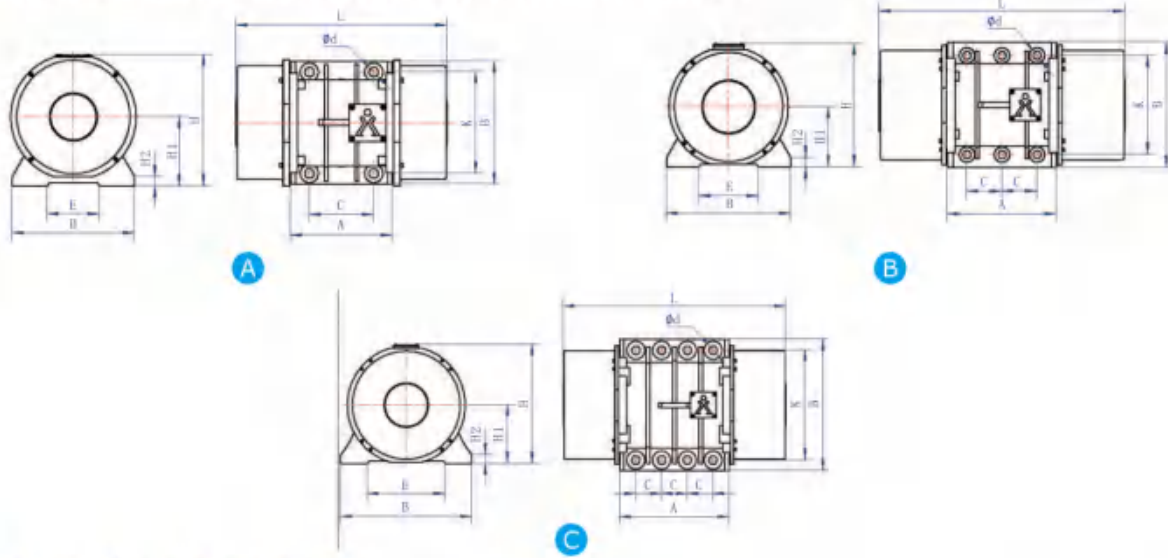
序号	型号Type	激振力Force (KN)	功率Power (KW)	电流Current (A)	重量Weight (Kg)	机座号
1	HZW-1.5-2	1.5	0.15	0.4	15	85
2	HZW-2.5-2	2.5	0.25	0.58	18	85
3	HZW-5-2	5	0.4	1.02	33	100
4	HZW-8-2	8	0.75	1.76	61	120
5	HZW-16-2	16	1.5	3.7	95	170

### 4 POLES-1500 rpm

序号	型号Type	激振力Force (KN)	功率Power (KW)	电流Current (A)	重量Weight (Kg)	机座号
1	HZW-1.2-4	1.2	0.1	0.34	16	85
2	HZW-2.5-4	2.5	0.1	0.34	24	85
3	HZW-5-4	5	0.25	0.65	40	120
4	HZW-8-4	8	0.4	1.16	55	120
5	HZW-16-4	16	0.75	1.91	80	140
6	HZW-20-4	20	1.1	2.81	105	140
7	HZW-25-4	25	1.5	3.84	110	170
8	HZW-32-4	32	2	4.69	165	170
9	HZW-50-4	50	2.5	6.3	253	225
10	HZW-75-4	75	4	10.18	298	225
11	HZW-100-4	100	6	15.8	420	230
12	HZW-120-4	120	8	19.6	480	260
13	HZW-140-4	140	9	22	520	260

## HZW系列 振动电机安装尺寸

The technical and installation size of HZW series vibrator motors



### 2 POLES-3000 rpm

序号	型号Type	安装尺寸 (mm)			外形尺寸Dimension (mm)							
		C	K	$\phi d$	L	A	B	E	H	H1	H2	图号
1	HZW-1.5-2	100	150	13	308	150	180	70	192	85	20	A
2	HZW-2.5-2	100	150	13	310	150	180	70	192	85	20	A
3	HZW-5-2	120	150	18	390	200	200	60	202	100	16	A
4	HZW-8-2	120	180	18	410	190	230	120	230	120	20	A
5	HZW-16-2	140	260	22	530	280	310	140	327	170	25	A

### 4 POLES-1500 rpm

序号	型号Type	安装尺寸 (mm)			外形尺寸Dimension (mm)							
		C	K	$\phi d$	L	A	B	E	H	H1	H2	图号
1	HZW-1.2-4	100	150	13	310	150	180	70	192	85	20	A
2	HZW-2.5-4	100	150	13	330	150	180	70	192	85	20	A
3	HZW-5-4	120	180	18	410	190	230	120	230	120	20	A
4	HZW-8-4	120	180	18	410	190	230	120	230	120	20	A
5	HZW-16-4	135	230	18	460	245	280	130	276	140	20	A
6	HZW-20-4	140	260	22	510	250	310	140	327	140	25	A
7	HZW-25-4	140	260	22	530	280	310	140	327	170	25	A
8	HZW-32-4	140	260	22	530	280	310	140	327	170	25	A
9	HZW-50-4	210	330	32	670	340	400	170	420	225	30	A
10	HZW-75-4	210	330	32	670	340	400	170	420	225	30	A
11	HZW-100-4	135	380	32	940	430	460	200	450	230	35	B
12	HZW-120-4	118	460	38	1010	520	550	340	520	260	38	A
13	HZW-140-4	118	460	38	1010	520	550	340	520	260	38	A

## HZW系列 振动电机技术参数

The technical and installation size of HZW series vibrator motors

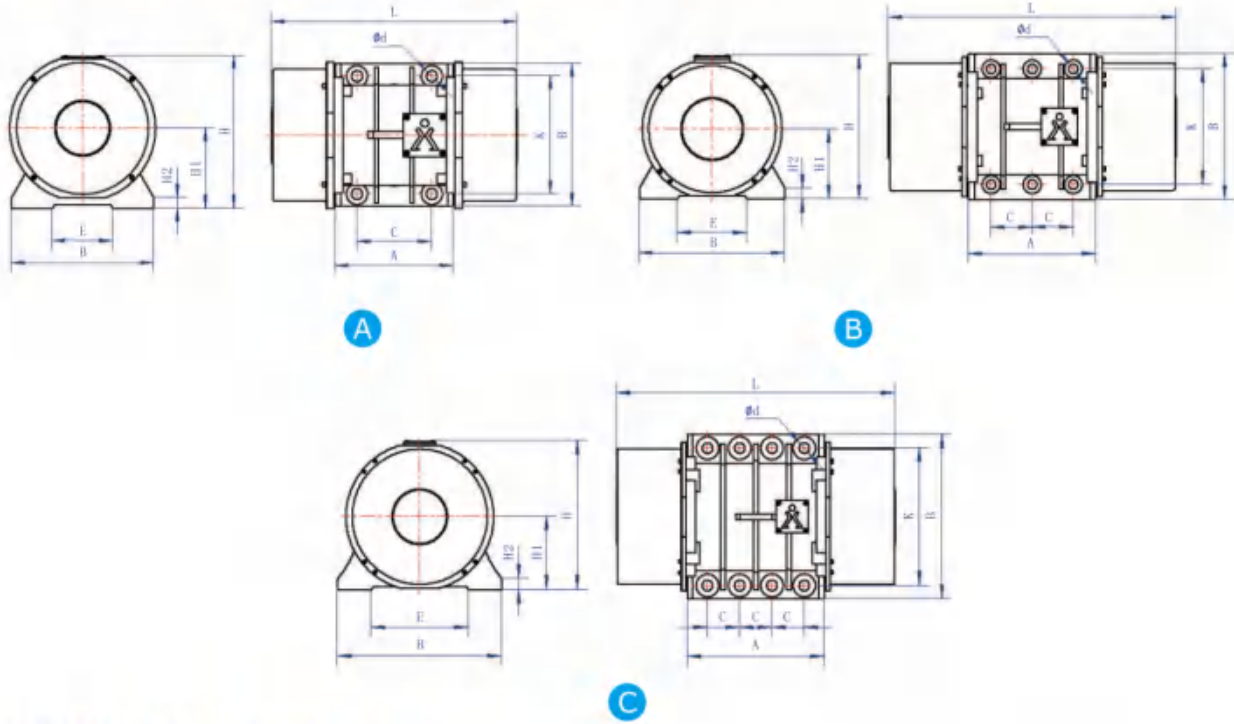


### 6 POLES-1000 rpm

序号	型号Type	激振力Force (KN)	功率Power (KW)	电流Current (A)	重量Weight (Kg)	机座号
1	HZW-2.5-6	2.5	0.2	0.71	43	120
2	HZW-5-6	5	0.4	1.23	50	120
3	HZW-10-6	10	0.75	2.3	82	140
4	HZW-16-6	16	1.1	3.35	100	140
5	HZW-20-6	20	1.5	3.8	115	140
6	HZW-26-6	26	1.9	4.8	130	170
7	HZW-30-6	30	2.2	5.52	146	170
8	HZW-40-6	40	3	7.7	188	200
9	HZW-50-6	50	3.7	9.8	235	200
10	HZW-75-6	75	5.5	13.3	300	225
11	HZW-100-6	100	7.5	18	420	230
12	HZW-120-6	120	8.5	19.7	520	230
13	HZW-140-6	140	9.5	21.7	700	260
14	HZW-160-6	160	12	28.5	760	260
15	HZW-180-6	180	14	32	800	270
16	HZW-200-6	200	16	36	890	270

# HZW系列 振动电机安装尺寸

The technical and installation size of HZW series vibrator motors



## 6 POLES-1000 rpm

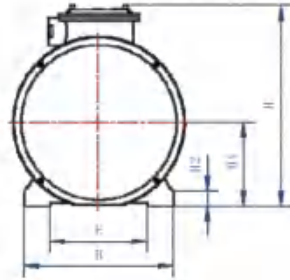
序号	型号Type	安装尺寸 (mm)			外形尺寸Dimension (mm)							
		C	K	$\phi d$	L	A	B	E	H	H1	H2	图号
1	HZW-2.5-6	120	180	18	410	190	230	120	230	120	20	A
2	HZW-5-6	120	180	18	410	190	230	120	230	120	20	A
3	HZW-10-6	135	230	18	460	245	280	130	276	140	20	A
4	HZW-16-6	135	230	18	595	290	280	130	276	140	20	A
5	HZW-20-6	135	230	18	595	290	280	130	276	140	20	A
6	HZW-26-6	140	260	22	550	280	310	140	327	170	25	A
7	HZW-30-6	140	260	22	590	280	310	140	327	170	25	A
8	HZW-40-6	160	320	32	546	290	390	190	390	200	28	A
9	HZW-50-6	160	320	32	590	290	390	190	390	200	28	A
10	HZW-75-6	210	330	32	670	340	400	170	420	225	30	A
11	HZW-100-6	135	380	32	940	430	460	200	450	230	35	B
12	HZW-120-6	135	380	32	1000	430	460	200	450	230	35	B
13	HZW-140-6	118	460	38	1040	520	550	340	520	260	38	C
14	HZW-160-6	118	460	38	1060	520	550	340	520	260	38	C
15	HZW-180-6	120	510	45	1080	520	610	360	548	270	40	C
16	HZW-200-6	120	510	45	1080	520	610	360	548	270	40	C



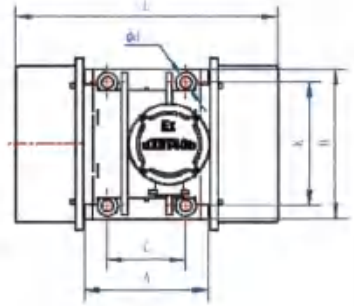
# YBZQ (EX d II B T4 Gb) 系列

## 系列振动源用隔爆型三相异步电动机技术参数

The technical and installation size of YBZQ (EX d II B T4 Gb) series vibrator motors



A



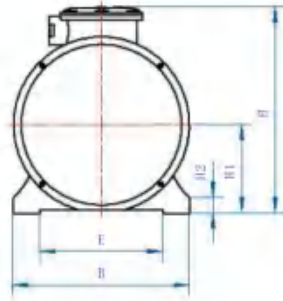
D

序号	型号 Type	转速 RPM	激振力 C.F (KN)	功率 (KW)	电流 (A)	重量 weight (Kg)	安装尺寸 (mm)			外形尺寸Dimension (mm)							图号
							C	K	φd	L	A	B	E	H	H1	H2	
1	YBZQ-5-2	3000	5	0.4	1.02	60	160	200	18	520	270	250	100	310	120	18	AD
2	YBZQ-8-2	3000	8	0.75	1.76	88	160	230	18	560	290	280	140	360	140	20	AD
3	YBZQ-10-2	3000	10	1.1	2.56	90	160	230	18	560	290	280	140	360	140	20	AD
4	YBZQ-16-2	3000	16	1.5	3.7	150	180	270	32	650	340	340	160	410	170	28	AD
5	YBZQ-20-2	3000	20	1.8	4.26	160	180	270	32	650	340	340	160	410	170	28	AD
6	YBZQ-30-2	3000	30	3	7.6	170	180	270	32	650	340	340	160	410	170	28	AD
7	YBZQ-5-4	1500	5	0.25	0.65	62	160	200	18	520	270	250	100	310	120	18	AD
8	YBZQ-8-4	1500	8	0.4	1.16	92	160	230	18	560	290	280	140	360	140	20	AD
9	YBZQ-10-4	1500	10	0.55	1.59	93	160	230	18	560	290	280	140	360	140	20	AD
10	YBZQ-16-4	1500	16	0.75	1.91	125	150	260	22	600	300	310	140	410	170	25	AD
11	YBZQ-20-4	1500	20	1.1	2.81	130	150	260	22	600	300	310	140	410	170	25	AD
12	YBZQ-25-4	1500	25	1.5	3.84	176	180	270	22	640	290	310	140	450	170	25	AD
13	YBZQ-32-4	1500	32	2	4.69	182	180	270	22	640	290	310	140	450	170	25	AD
14	YBZQ-5-6	1000	5	0.4	1.23	64	160	200	18	520	270	250	10	310	120	18	AD
15	YBZQ-8-6	1000	8	0.55	1.68	90	160	230	18	560	290	280	40	360	140	20	AD
16	YBZQ-10-6	1000	10	0.75	2.3	95	160	230	18	560	290	280	140	360	140	20	AD
17	YBZQ-16-6	1000	16	1.1	3.35	120	160	230	18	610	290	280	140	360	140	20	AD
18	YBZQ-18-6	1000	18	1.3	3.65	135	150	260	22	600	300	310	140	410	170	25	AD
19	YBZQ-20-6	1000	20	1.5	3.8	141	150	260	22	600	300	310	140	410	170	25	AD
20	YBZQ-26-6	1000	26	1.69	4.8	155	150	260	22	600	300	310	140	410	170	25	AD
21	YBZQ-30-6	1000	30	2.2	5.52	186	180	320	32	630	340	390	190	460	200	28	AD
22	YBZQ-40-6	1000	40	3	7.7	200	180	320	32	630	340	390	190	460	200	28	AD

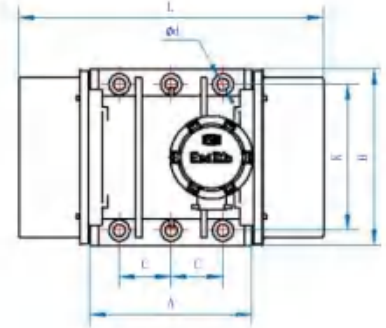
# YBZQ (EX d | Mb) 系列

## 振动源用隔爆型三相异步电动机技术参数

The technical and installation size of YBZQ (EX d | Mb) series vibrator motors



B



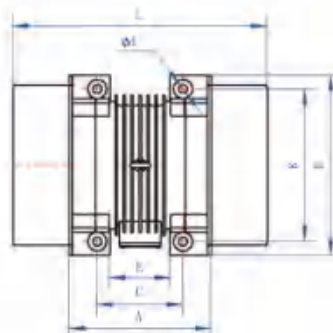
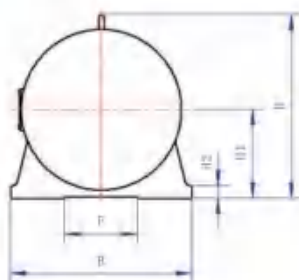
D

序号	型号 Type	转速 RPM	激振力 C.F (KN)	功率 (KW)	电流 (A)	重量 weight (Kg)	安装尺寸 (mm)				外形尺寸Dimension (mm)						图号
							C	K	φd	L	A	B	E	H	H1	H2	
1	YBZQ-50-4	1500	50	2.5	6.3	260	210	330	32	620	340	400	160	533	225	40	AD
2	YBZQ-75-4	1500	75	4	10.2	367	135	380	32	815	430	460	200	560	230	35	BD
3	YBZQ-100-4	1500	100	6	15.8	474	135	380	32	870	430	460	200	560	230	35	BD
4	YBZQ-50-6	1000	50	3.7	9.8	300	210	330	32	620	330	400	160	533	225	40	AD
5	YBZQ-75-6	1000	75	5.5	13.3	428	135	380	32	860	430	460	200	560	230	35	BD
6	YBZQ-100-6	1000	100	7.5	18	525	135	380	32	935	430	460	200	560	230	35	BD



## JZO/YZO系列 振动电机技术参数及安装尺寸

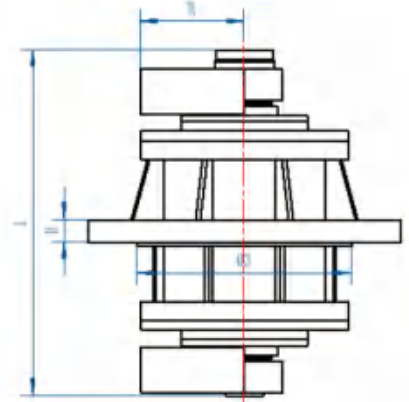
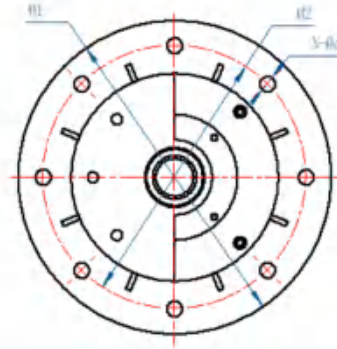
The technical and installation size of JZO/YZO series vibrator motors



序号 No.	型号 Type	转速 RPM	激振力 C.F (KN)	功率 (KW)	重量 weight (Kg)	安装尺寸 (mm)			外形尺寸Dimension (mm)						
						C	K	φd	L	A	B	E	H	H1	H2
1	0.7-2	2860	0.7	0.075	13	116	152	8	270	140	175	92	170	70	22
2	1.5-2	2860	1.5	0.15	17	126	180	10	290	150	214	102	196	80	25
3	1.5-2D	2860	1.5	0.15	17	126	180	10	290	150	214	102	196	80	25
4	2.5-2	2860	2.5	0.25	21	140	180	12	318	168	214	112	196	80	30
5	2.5-2D	2860	2.5	0.25	21	140	180	12	318	168	214	112	196	80	30
6	5-2	2860	5	0.4	32	175	220	14	358	208	270	142	216	90	40
7	8-2	2860	8	0.75	55	180	235	18	400	250	292	123	285	125	30
8	16-2	2860	16	1.5	90	224	280	20	522	298	330	182	374	170	27
9	30-2	2860	30	3.0	115	240	280	24	540	315	330	160	341	170	27
10	35-2	2860	35	4.0	135	240	280	26	640	340	340	160	380	190	27
11	1.2-4	1460	1.2	0.10	20	126	180	10	290	150	215	102	200	80	22
12	2.5-4	1460	2.5	0.10	28	140	180	12	318	168	214	112	196	80	30
13	2.5-4D	1460	2.5	0.10	28	140	180	12	318	168	214	112	196	80	30
14	5-4	1460	5	0.25	38	175	220	14	388	208	270	142	216	90	40
15	8-4	1460	8	0.4	58	180	235	18	435	250	292	123	285	125	25
16	10-4	1460	10	0.55	65	180	235	18	435	250	292	123	285	125	25
17	16-4	1460	16	0.75	95	224	280	20	522	300	330	182	374	170	30
18	25-4	1460	2.5	1.5	80	224	280	20	568	300	330	182	374	170	30
19	32-4	1460	32	1.5	135	186	310	30	526	396	380	121	374	170	35
20	50-4	1460	50	2.2	250	195	390	33	615	353	480	115	460	225	37
21	75-4	1460	75	3.7	343	248	440	36	675	410	520	174	527	255	35
22	2.5-6	980	2.5	0.2	34	144	220	10	326	166	270	122	216	90	40
23	5-6	980	5	0.4	48	176	220	14	435	240	270	134	246	120	25
24	8-6	980	8	0.55	75	180	235	14	465	255	292	134	295	140	30
25	10-6	980	10	0.75	80	180	235	18	465	255	292	119	289	140	30
26	18-6	980	18	1.1	113	190	280	20	510	280	330	142	375	170	27
27	20-6	980	20	1.5	120	190	280	20	510	280	330	142	375	170	27
28	26-6	980	26	1.9	130	206	280	20	570	300	330	170	375	170	27
29	30-6	980	30	2.2	165	174	350	30	504	288	430	112	430	200	35
30	40-6	980	40	3.0	185	174	350	30	540	288	430	112	430	200	35
31	50-6	980	50	3.7	267	195	390	33	615	353	480	115	460	225	37
32	75-6	980	75	5.5	393	248	440	36	675	410	520	174	527	255	35
33	100-6	980	100	7.5	457	300	440	36	780	465	520	225	527	255	35

## ZL系列 振动电机技术参数

The technical and installation size of ZL series vibrator motors



序号	型号Type	转速 RPM	激振力 C.F (KN)	功率 (KW)	电流 (A)	安装及外形尺寸Dimeneion ( mm )							
						Φ1	Φ2	Φ3	B	N×d	L	R	图号
1	ZL-5-2	2860	5	0.4	1.24	264	230	209	14	6×14	330	80	A
2	ZL-8-2	2860	8	0.75	2.1	305	270	230	22	6×15	420	90	A
3	ZL-16-2	2860	16	1.5	4.8	330	300	260	24	6×15	455	110	A
4	ZL-3-4	1460	3	0.1	0.34	240	210	170	16	6×12	280	80	A
5	ZL-5-4	1460	5	0.2	0.65	264	230	209	14	6×14	330	80	A
6	ZL-8-4	1460	8	0.4	1.02	305	270	230	22	6×15	420	105	A
7	ZL-10-4	1460	10	0.55	1.1	305	270	230	22	6×15	440	105	A
8	ZL-10-4A	1460	10	0.55	1.1	300	270	200	22	6×15	427	100	B
9	ZL-16-4	1460	16	0.75	2.3	330	300	260	24	6×15	455	140	A
10	ZL-25-4	1460	25	1.2	3.7	370	330	225	28	6×23	510	140	A
11	ZL-32-4	1460	32	1.5	4.8	400	350	290	30	6×23	535	155	A
12	ZL-50-4	1460	50	2.2	6.96	498	418	341	35	8×25	550	200	A
13	ZL-75-4	1460	75	4.0	10.2	550	460	410	35	8×32	720	220	A
14	ZL-100-4	980	100	6.5	16.9	650	550	460	40	8×32	860	230	A
15	ZL-5-6	980	5	0.4	1.24	264	230	209	18	6×15	395	110	A
16	ZL-10-6	980	10	0.75	2.3	335	305	210	22	6×15	520	120	A
17	ZL-15-6	980	15	1.1	3.5	420	380	272	30	6×25	530	132	A
18	ZL-20-6	980	20	1.5	4.6	420	380	272	30	6×25	550	145	A
19	ZL-50-6	980	50	3.7	11.4	498	418	341	35	8×32	550	165	A
20	ZL-75-6	980	75	5.5	12.6	650	550	420	40	8×32	790	220	A
21	ZL-100-6	980	100	7.5	18.3	650	550	420	40	8×32	860	220	A

## LZF系列 仓振动防闭塞装置技术参数及安装尺寸

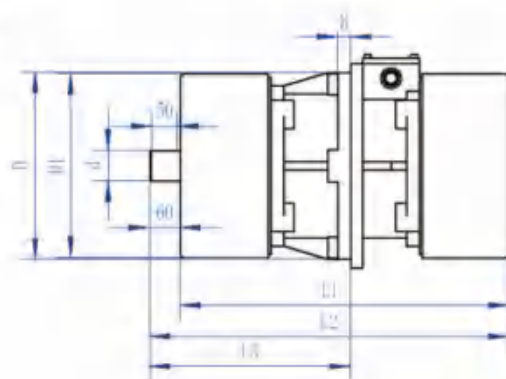
The technical and installation size of LZF series vibrator motors

序号	型号 Type	适用料仓 溜槽壁厚 (mm)	锥部容量 (t)	电机型号 Motors type	激振力 Force (KN)	功率 Power (KW)	重量 RPM	外形尺寸 Dimeneion (mm)
1	LZF-3	1.6-3.2	0.35	JZO-0.7-2	0.7	0.075	17	240x285x245
2	LZF-4	3.2-4.5	1	JZO-1.5-2	1.5	0.15	26	260x330x285
3	LZF-5	4.5-6	3	JZO-2.5-2	2.5	0.25	31	280x330x275
4	LZF-6	6-8	10	JZO-5-2	5	0.4	53	400x460x330
5	LZF-10	8-10	20	JZO-8-2	8	0.75	86	420x460x400
6	LZF-15	10-13	50	JZO-16-2	16	1.5	160	590x550x515
7	LZF-25	15-25	150	JZO-30-2	30	3	220	597x728x430
8	LZF-40	25-40	200	JZO-35-2	30	4	280	673x820x450



## ZLC系列 振动电机技术参数及安装尺寸

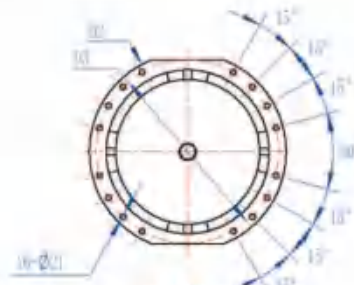
The technical and installation size of ZLC series vibrator motors



A



B



C

序号	型号 Type	转速 RPM	激振力 C.F (KN)	功率 (KW)	电流 (A)	重量 weight (Kg)	安装尺寸 (mm)				外形尺寸Dimeneion (mm)							图号
							D	D1	D2	D3	L1	L2	L3	B	d	C	F	
1	ZL-50-4C	1460	50	2.5	5.8	210	365	350	455	415	520	595	350	24	60	55	12	A
2	ZL-75-4C	1460	75	4	10.2	270	400	370	500	450	590	660	380	30	60	55	12	B
3	ZL-15-6C	980	15	1.1	3.3	100	280	250	370	330	490	570	335	24	36	32	8	A
4	ZL-25-6C	980	25	1.8	4.6	135	315	300	405	365	560	630	355	24	45	41	8	A
5	ZL-35-6C	980	35	2.4	6	185	365	350	455	415	550	620	350	24	50	45	12	A
6	ZL-50-6C	980	50	3.7	9.8	280	400	370	500	450	590	660	380	30	60	55	12	B
7	ZL-75-6C	980	75	5.5	13.3	360	430	420	530	480	660	730	400	30	60	55	18	B
8	ZL-100-6C	980	100	7.5	18	470	430	420	530	480	816	880	480	30	60	55	18	B
9	ZL-135-6C	980	135	9	21	730	580	504	700	650	800	860	480	36	60	55	18	C
10	ZL-160-6C	980	160	12	28	790	580	504	700	650	920	980	540	36	60	55	18	C
11	ZL-160-8C	740	160	10	28	873	580	504	700	650	1076	1129	609	36	60	55	18	C

# 我振动 你心动 弘升振动

## 公司技术实力:

- 新乡市振动电机工程技术研究中心
- 新乡市环保型智能电动机工程技术研究中心
- 河南科技学院研究生教育协同创新基地
- 河南科技学院联合研发中心、教学实习基地
- 河南工学院产学研合作基地

## 售后服务承诺

只要您一个电话，剩下的事由弘升来做！

- 1、300公里以内，24小时之内到达；
- 2、300-1200公里以内48小时之内到达；
- 3、1200公里以外,72小时之内到达。

(因意外情况而导致不能准时到达，弘升将与您及时沟通，尽快解决!)

