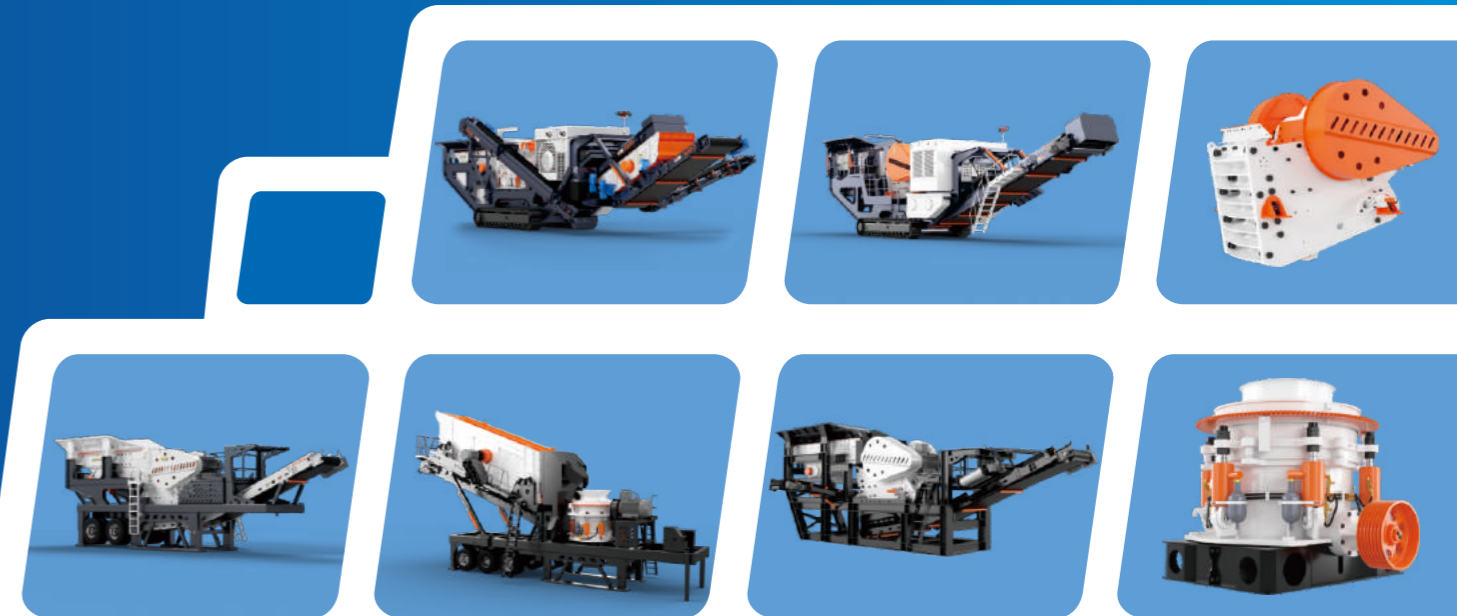




## AGGREGATES & RECYCLING



Wocat Spom Group Mineral Tech Co., Ltd.

Address: Wulong Industrial Park, Zhengzhou City,  
Henan, China

Website: [www.wocatpom.com](http://www.wocatpom.com)

E-mail: [sales@shibochina.com](mailto:sales@shibochina.com)

Telephone: +86 15000608351



Website

沃云思博机械（郑州）有限公司  
Wocat Spom Group Mineral Tech Co., Ltd.

# CONTENTS

## CONTENTS

About us	01-02
Track-mounted mobile jaw crusher	03
Track-mounted mobile impact crusher	04
Track-mounted mobile cone crusher	05
Track-mounted mobile VSI	06
Track-mounted mobile screen	07
K3 series wheel-mounted primary crusher	08
K3 series wheel-mounted cone crusher	09
K3 series wheel-mounted VSI	10
K3 series wheel-mounted screen	11
K3 series three combination wheel-mounted crusher	12
K3 series four combination wheel-mounted crusher	13
Skid-mounted crusher	14
SC jaw crusher	15-16
PE Jaw crusher	17-18
LF impact crusher	19-20
HP multi-cylinder hydraulic cone crusher	21-22
ZSW Vibrating feeder	23
YZK series circular vibrating screen	24
Belt conveyor	25
5X high efficiency vertical shaft impact crusher	26
Customer sites	27-28



## ABOUT US

**40** years

WOCATSPOM has 40 years of experience in R&D and production of mining machinery.

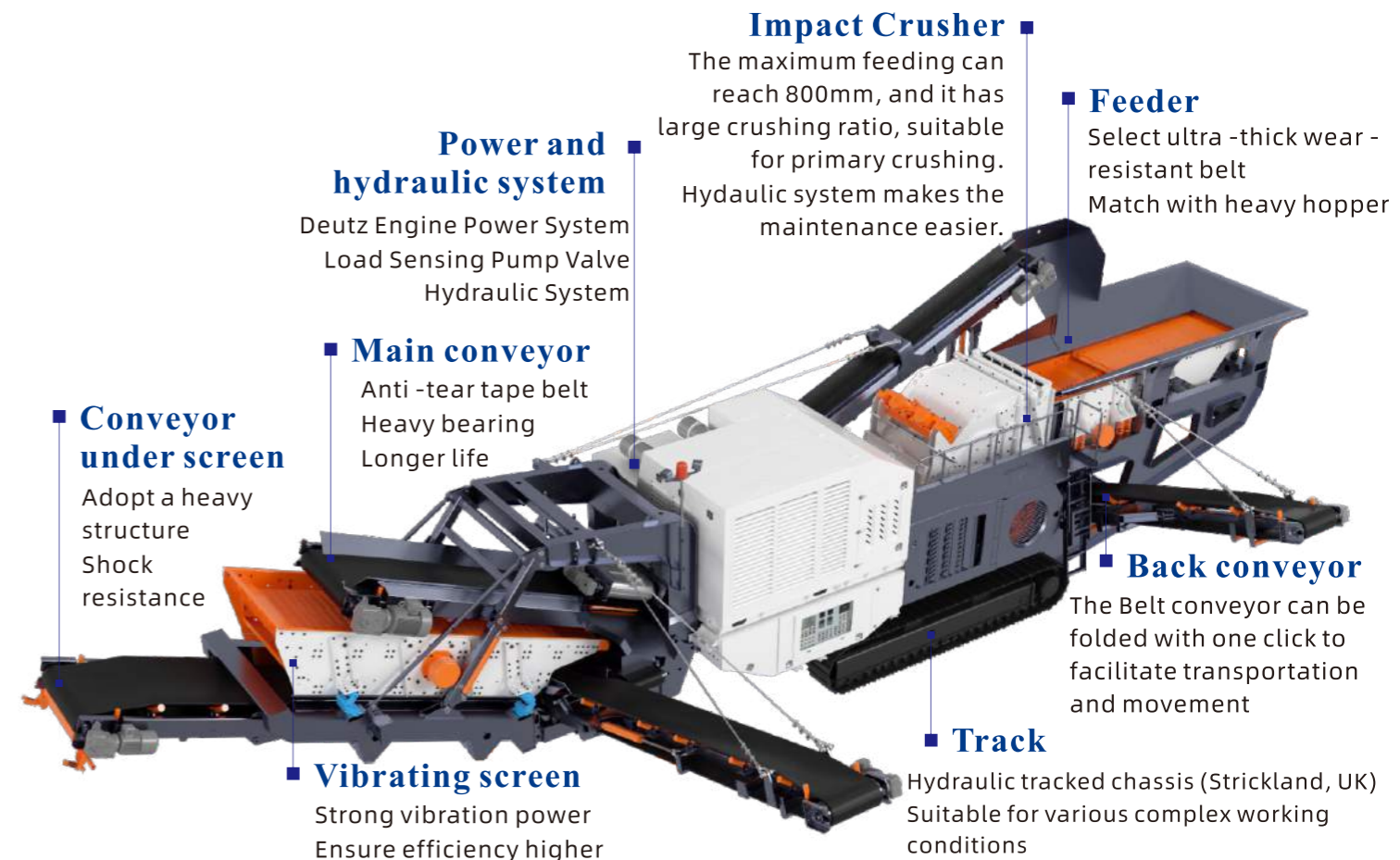
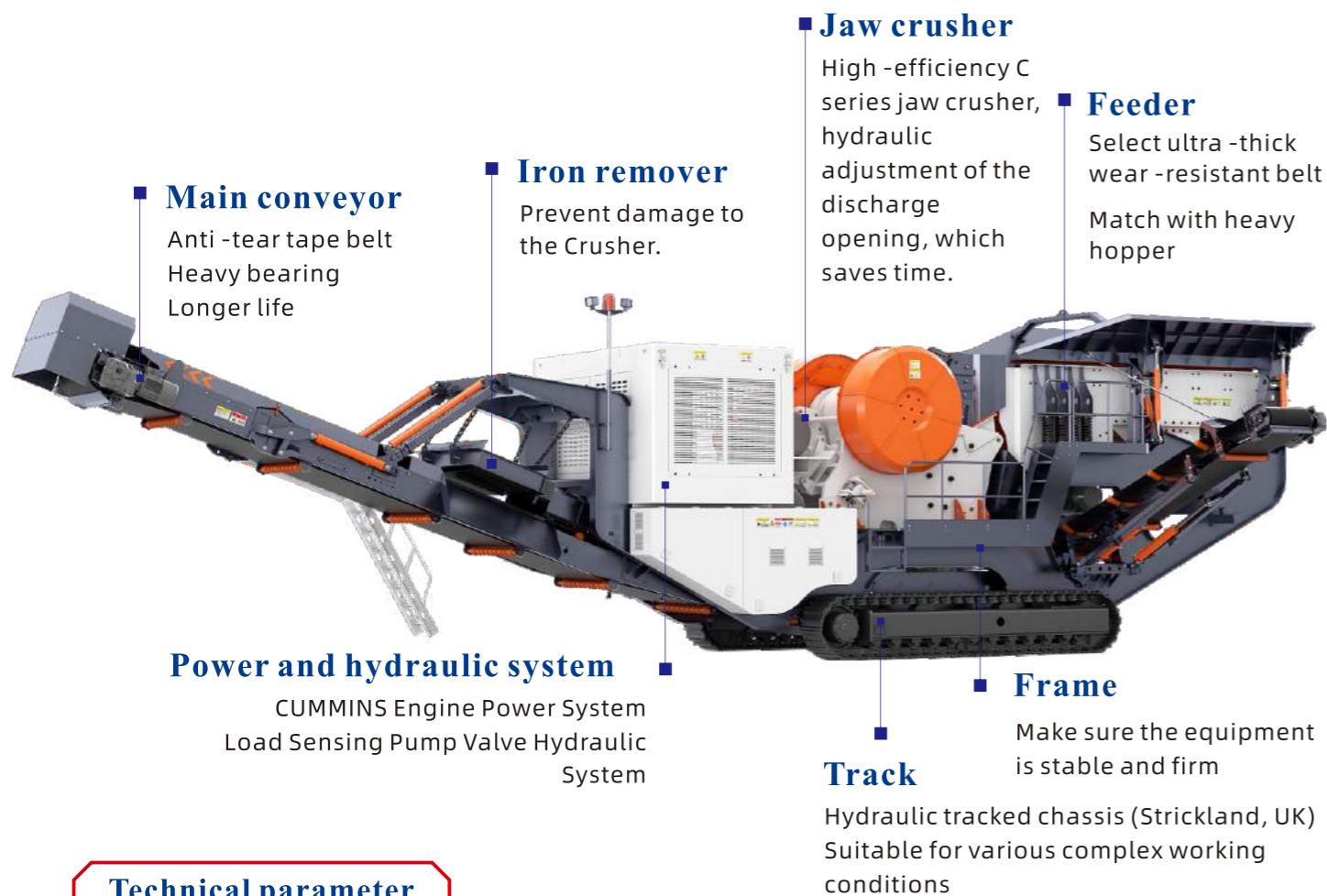
**600** +

More than 600 engineers and employees are at your service.

**160** +

Our products have been sold to more than 160 countries and areas.

Wocat Spom Group Mineral Tech Co., Ltd. is a professional manufacturer of stone crushers, grinding mills as well as solution provider. We integrate research and development, design, manufacturing, sales and after-sales service, focusing on the development of automatic and mobile, energy-saving and environmental protection equipment. We are an expert in mobile crushers including crawler crusher, wheel-mounted crusher and skid-mounted crusher etc, helping to process construction waste, contributing to efficient infrastructure development and green mining. Our products are not only renowned in over 20 provinces and cities in domestic markets, but also have been sold popularly in 160 countries and areas all over the world like Eastern Europe, Middle East, Africa, South Asia, Southeast Asia, Oceania, and Central and South America etc., serving hundreds of mine projects, and more foreign markets will be promoted in future. Over the years, we adhere to the principle of customer first, strive for excellence, and wholeheartedly provide customers with high-quality equipment and service.



## Technical parameter

Model	TC106	TC116	TC120
Jaw Crusher			
Model	C106	C116	C120
Maximum feeding size	600mm	650mm	740mm
Minimum outlet	70-200mm	70-200mm	70-175mm
Motor Power	110KW	132KW	160KW
Main conveyor			
Model	B1000*12m	B1000*12m	B1000*12.9m
Drive method	Conveyor motor 11KW	Conveyor motor 11KW	Conveyor motor 15KW
Power system			
Generator	300KW Generator	300KW Generator	360KW Generator
Electrical System	The motor of the jaw crusher is driven by soft start, other motors are directly started.		

## Technical parameter

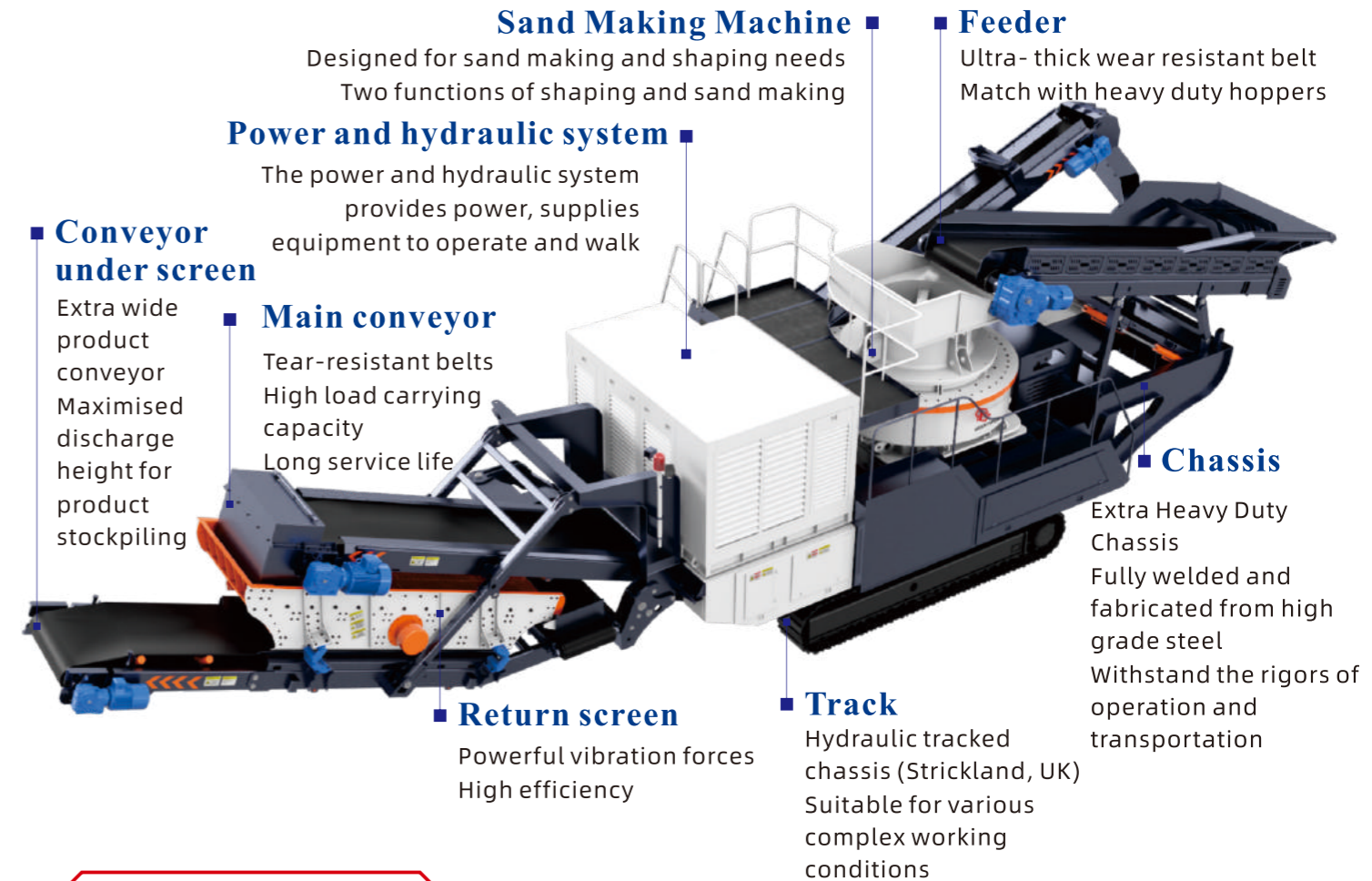
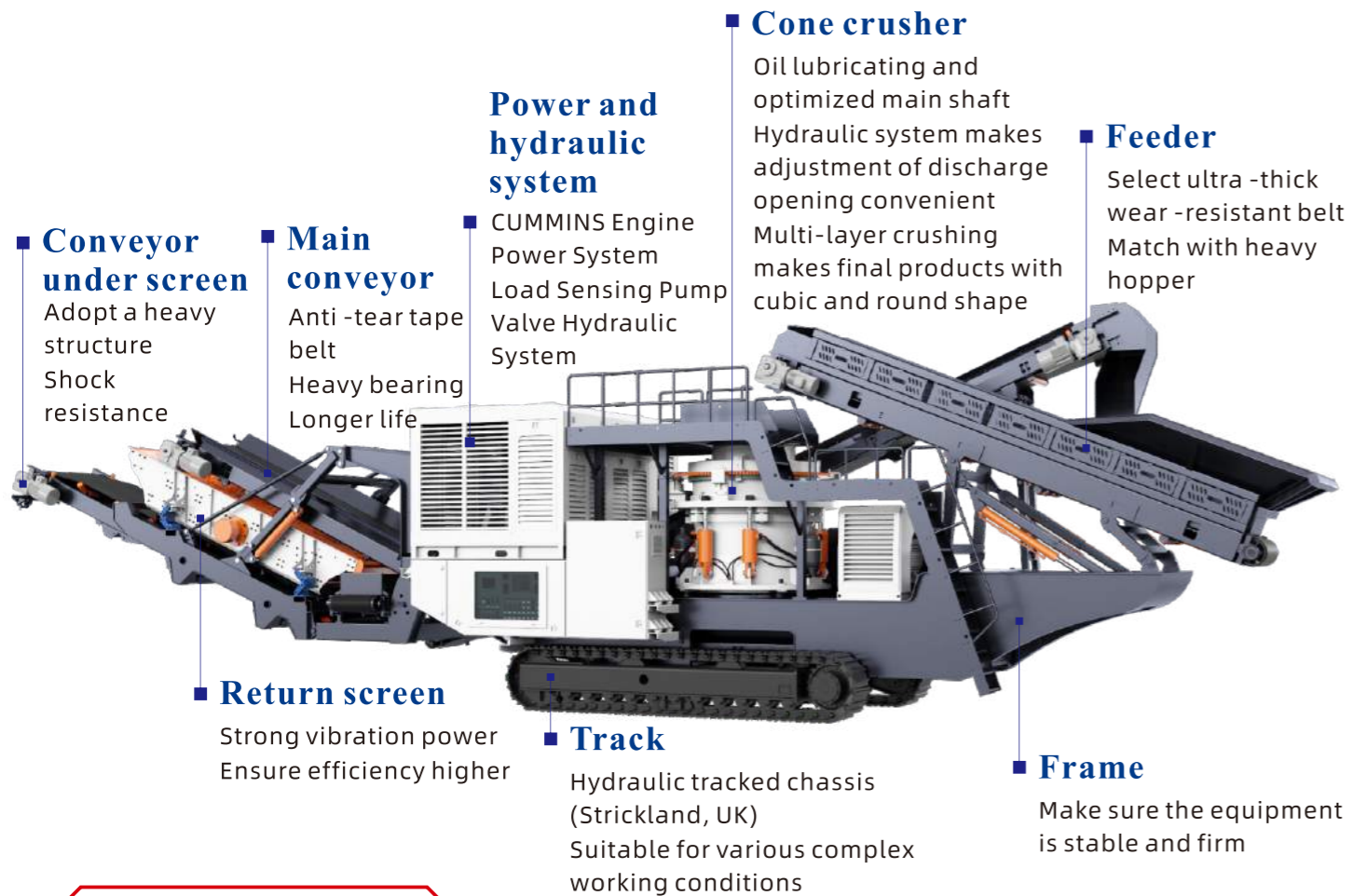
Model	TF150	TF250	TF350
Impact Crusher			
Model	LF150	LF250	LF350
Maximum feeding size	500mm	700mm	800mm
Capacity	100-200t/h	200-400t/h	300-500t/h
Motor Power	90-200KW	180-250KW	200-400KW
Return screen			
Model	2YK1530	2YS1640	YS1740
Drive method	Vibration motor 3.7KW*2	Vibration motor 3.7KW*2	Vibration motor 5.5KW*2
Power system			
Generator	360KW Generator	500KW Generator	520KW Generator
Electrical System	The impact crusher motor is started by frequency conversion, the feeder is started by frequency conversion, and other motors are started directly.		

## Introduction

Tracked primary jaw crushers can be quickly put to work and moved from one location to another which is available in a range of sizes. Design of tracked jaw crusher perfected over many years gives impressive outputs when crushing even the hardest of materials.

## Introduction

Tracked impact crushers are designed for primary, secondary crushing of construction materials in demolition/recycling/quarry & mining applications and feature thick heavy duty blow bars for longer life and utilization. It provides a consistent reduction in size and excellent product shape, powered by direct driven system, which is efficient and easy to operate, with reliability and optimum maneuverability.



## Technical parameter

Model	THP200	THP300	THP400
Cone Crusher			
Model	THP200	THP300	THP400
Maximum feeding size	150mm	200mm	260mm
Minimum outlet	16mm	10mm	20mm
Motor Power	160KW	220KW	280KW
Return screen			
Model	YK1500*3800	YK1600*4000	YK1500*3800
Drive method	Vibration motor 3.7KW*2	Vibration motor 3.7KW*2	Vibration motor 3.7KW*2
Power system			
Generator	320KW Generator	500KW Generator	500KW Generator
Electrical System	The cone crusher motor is started by frequency conversion, the feeder is started by frequency conversion, and other motors are started directly.		

## Introduction

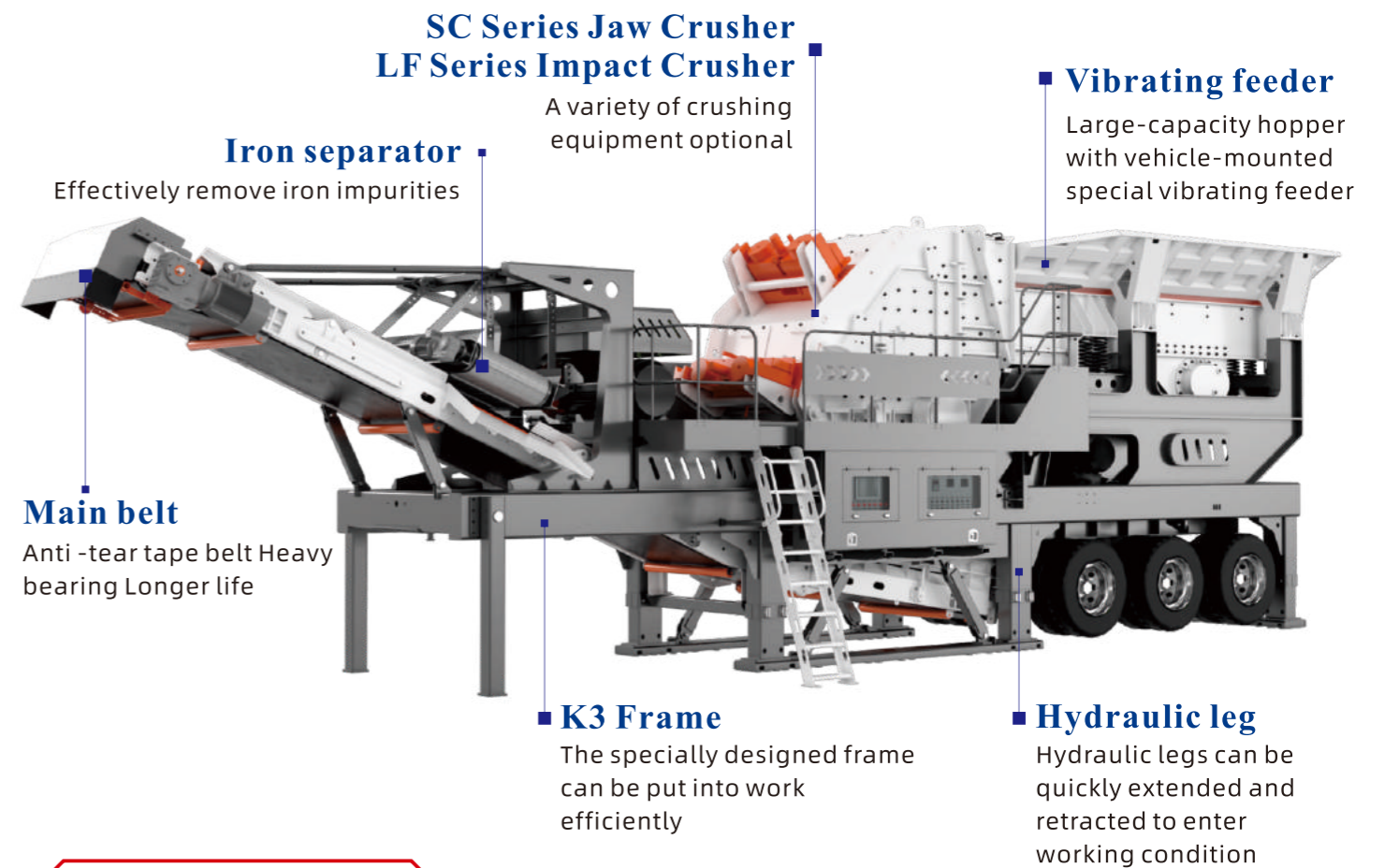
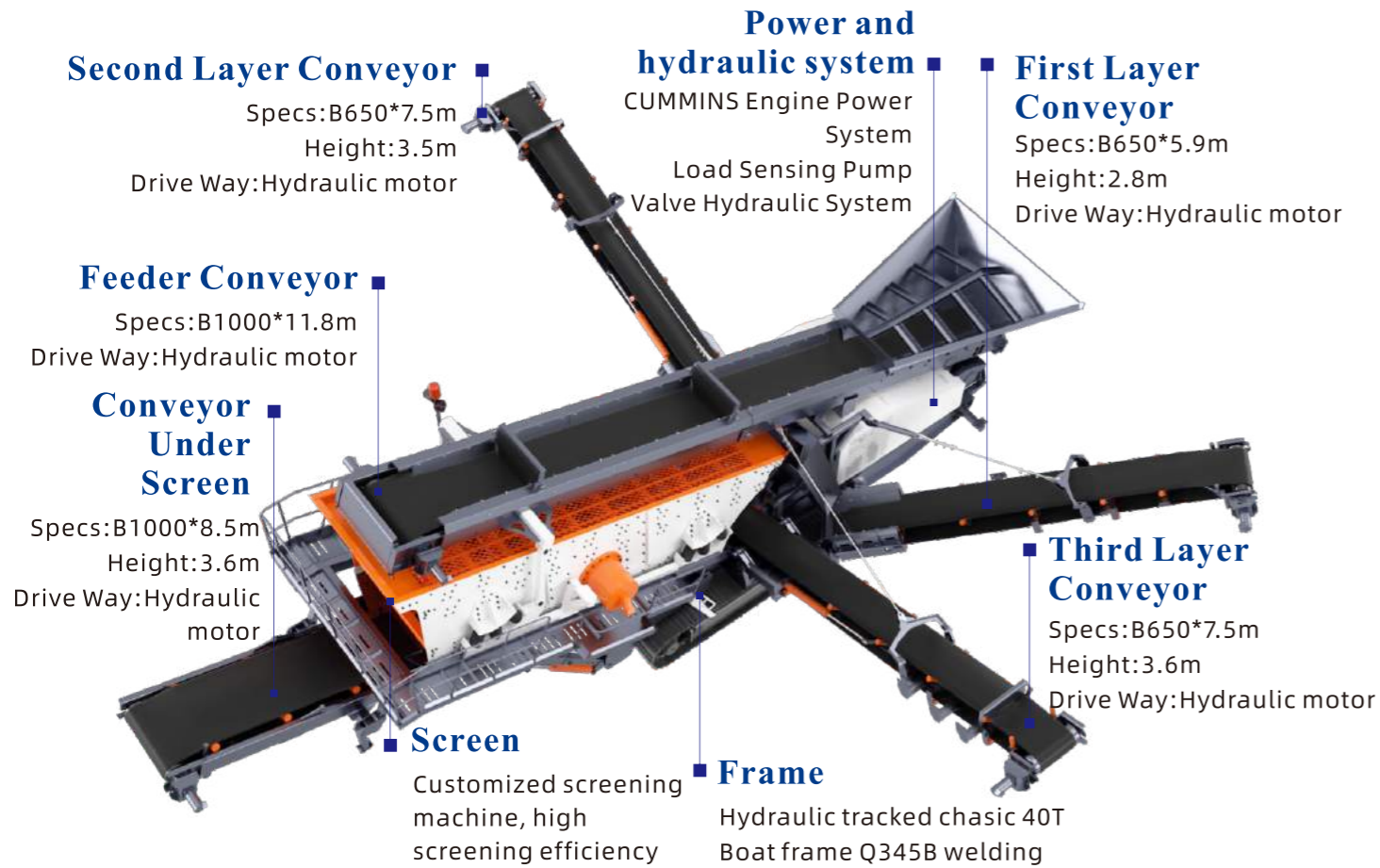
The tracked cone crusher for maximizing production; they are renowned for achieving significant rates of reduction, cubical product shape and providing high quality aggregate and sub-base material. The tracked cone crusher also be fitted with a recirculating conveyor and single deck screen to further reduce oversize material in a complete pass.

## Technical parameter

TVS9532		
Serial number	Name	Model
1	Feeding belt conveyor	B1200*4.6m,11kW
2	Sand Making Machine	VSI9532
		40mm
3	Return screen	315kW
		YK1700*4500
4	Power system	3.7kW
		Engine 570kW/Generator 520kW
5	Electrical System	PLC intelligent control system
6	Hydraulic system	Hydraulic lifting
7	capacity (t/h)	180-400

## Introduction

The track mounted sand making and screening plant can cater for both shaping and sand making modes of operation. It can be combined with other crawler mobile stations or operated independently. It is an important component in the production of high-quality aggregates.



## Technical parameter

Model	TS1860	TS2160
Vibrating Screen		
Model	1800 * 6000 three story	2100 * 6000 three story
Maximum feeding size	≤200	≤200
Capacity	65-586t/h	81-720t/h
Motor Power	22KW	30KW
Feeding belt conveyor		
Model	B1000*11.8m	B1000*11.8m
Circular polyester canvas belt	EP-200-B1000*4	EP-200-B1000*4
Power system		
Generator	360KW Generator	500KW Generator
Electrical System	Screen display engine operation parameter monitoring, track walking, and remote control of each belt conveyor for operation	

## Introduction

The tracked screen unit utilize high efficiency inclined vibrating screen boxes. Robust tracks ensure excellent on site positioning and mobility together with operational stability. Variable speed forward and side product conveyors are hydraulically operated and easily stowed for transport.

## Technical parameter

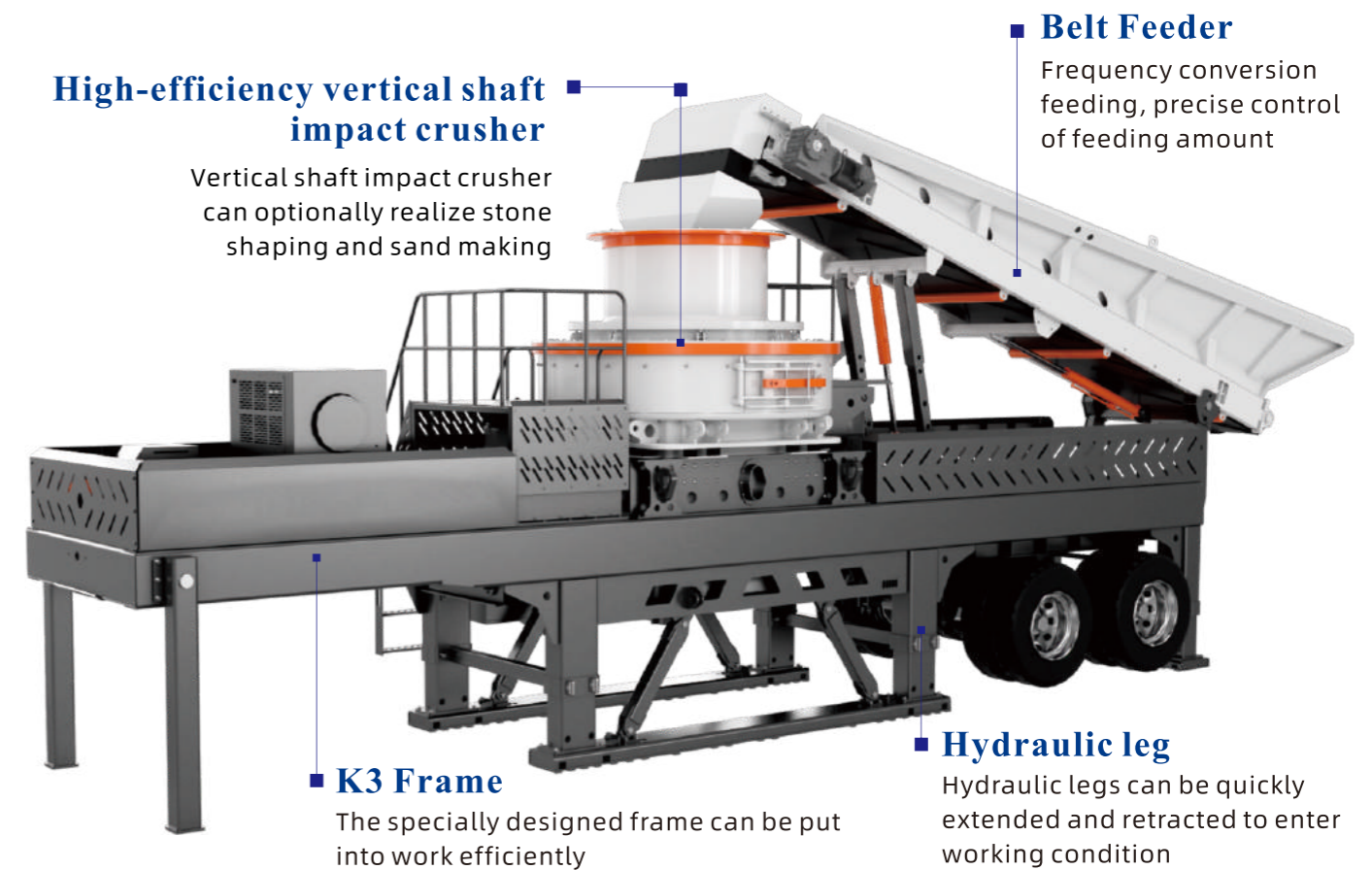
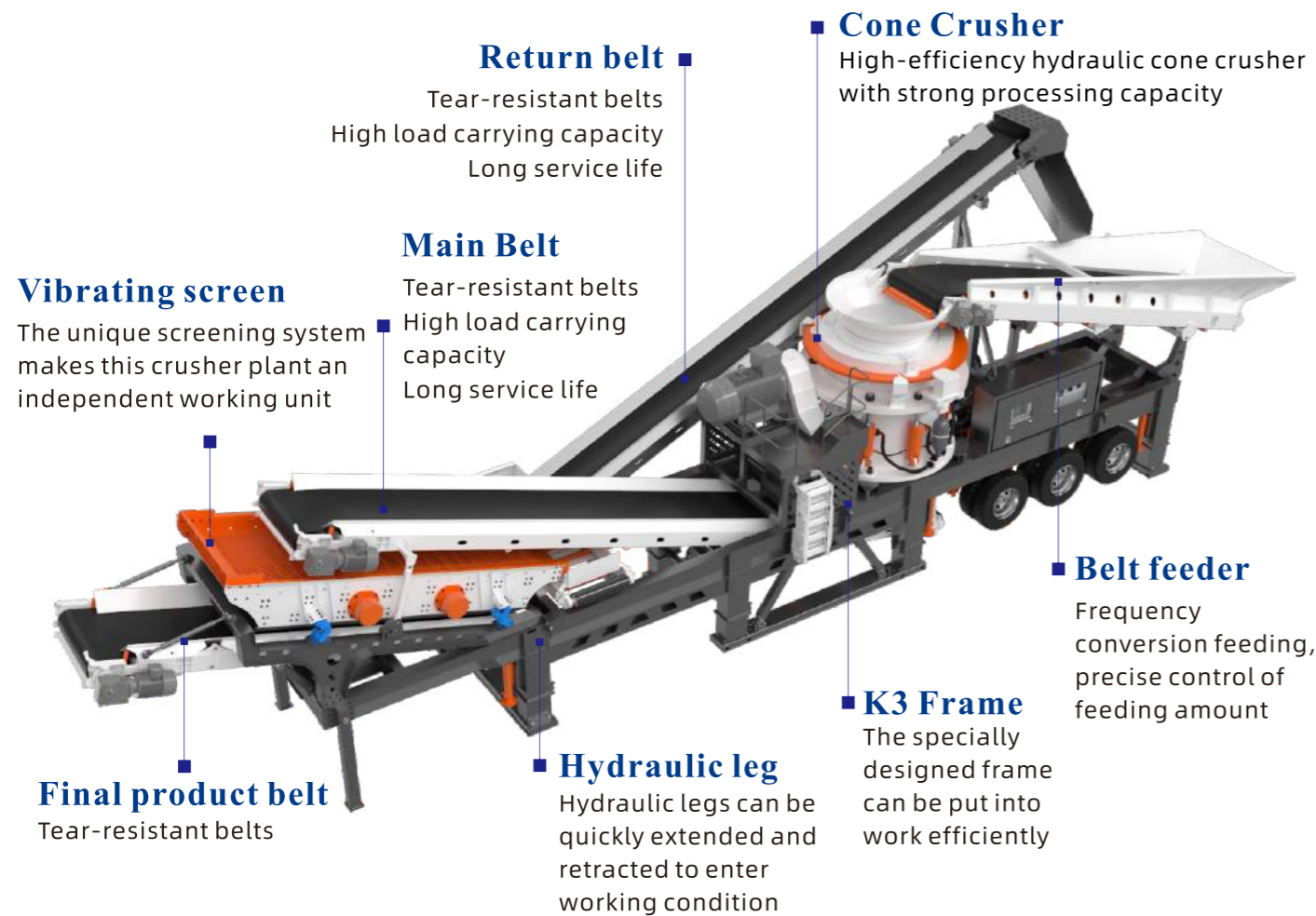
Model	K3-LF150-2C	K3-LF250-2C	K3-LF350-2C
Vibrating feeder	GZD9638	GZD1142	ZSW1349
Impact crusher	LF150	LF250	LF350
Main belt	B800	B1000	B1200
Capacity(t/h)	80-120	150-300	200-400

Model	K3-C96-2C	K3-C106-2C	K3-C110-2C
Vibrating feeder	GZD9638	GZD1142	ZSW1349
Jaw crusher	SC96	SC106	SC110
Main belt	B800	B1000	B1200
Capacity(t/h)	80-150	100-250	200-300

## Introduction

The Wheel mounted Jaw crusher uses the C-series high -efficiency jaw crusher to meet the raw material crushing of various hardness. The unique boot design can achieve a fast entry state.



## Technical parameter

Model	K3-HP300RS-2C	K3-HP400RS-2C	K3-HP500RS-2C
Belt feeder	B1000	B1200	B1200
Cone crusher	HP300	HP400	HP500
Vibrating screen	ZF1530	ZF1745	ZF1745
Main belt	B1000	B1000	B1000
Capacity(t/h)	100-300	150-300	200-400

## Introduction

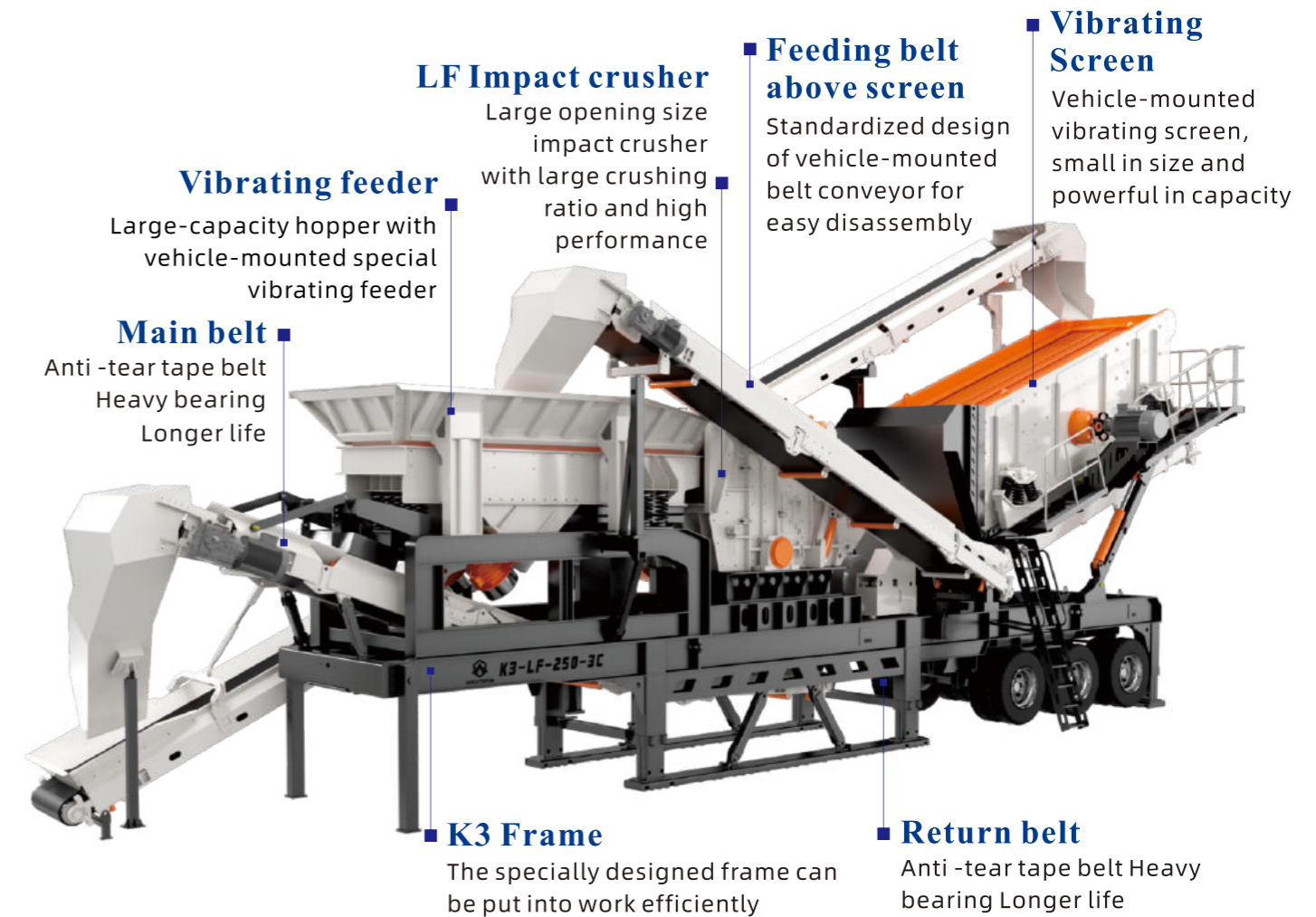
The wheel-mounted cone crusher plant is a unique crushing plant with its own return system. HP multi-cylinder hydraulic cone crusher, together with the return system, is self-contained and can work independently with an external power supply or as a crushing system with coarse crushing and screening plants.

## Technical parameter

Model	K3-V7615-1C	K3-V8522-1C	K3-V9532-1C	K3-V1145-1C
Belt feeder	B1000	B1000	B1200	B1200
VSI	VSI7615	VSI8522	VSI9532	VSI1145
Capacity(t/h)	50-150	100-200	150-300	200-400

## Introduction

Wheel-Mounted Sand Making Plant meet the two requirements of stone reshaping and sand making, and fully meet the requirements of completely sand making or production of high-quality aggregate.



## Technical parameter

Model	K3-1860-1C	K3-2160-1C	K3-2470-1C
Vibrating Screen	3YK1860	3YK2160	3YK2470
Feeding belt conveyor	B1000	B1000	B1200
Under screen belt	B800	B800	B800
Capacity(t/h)	80-200	100-300	200-500

## Introduction

An independent screening system can work independently or in conjunction with other equipment.

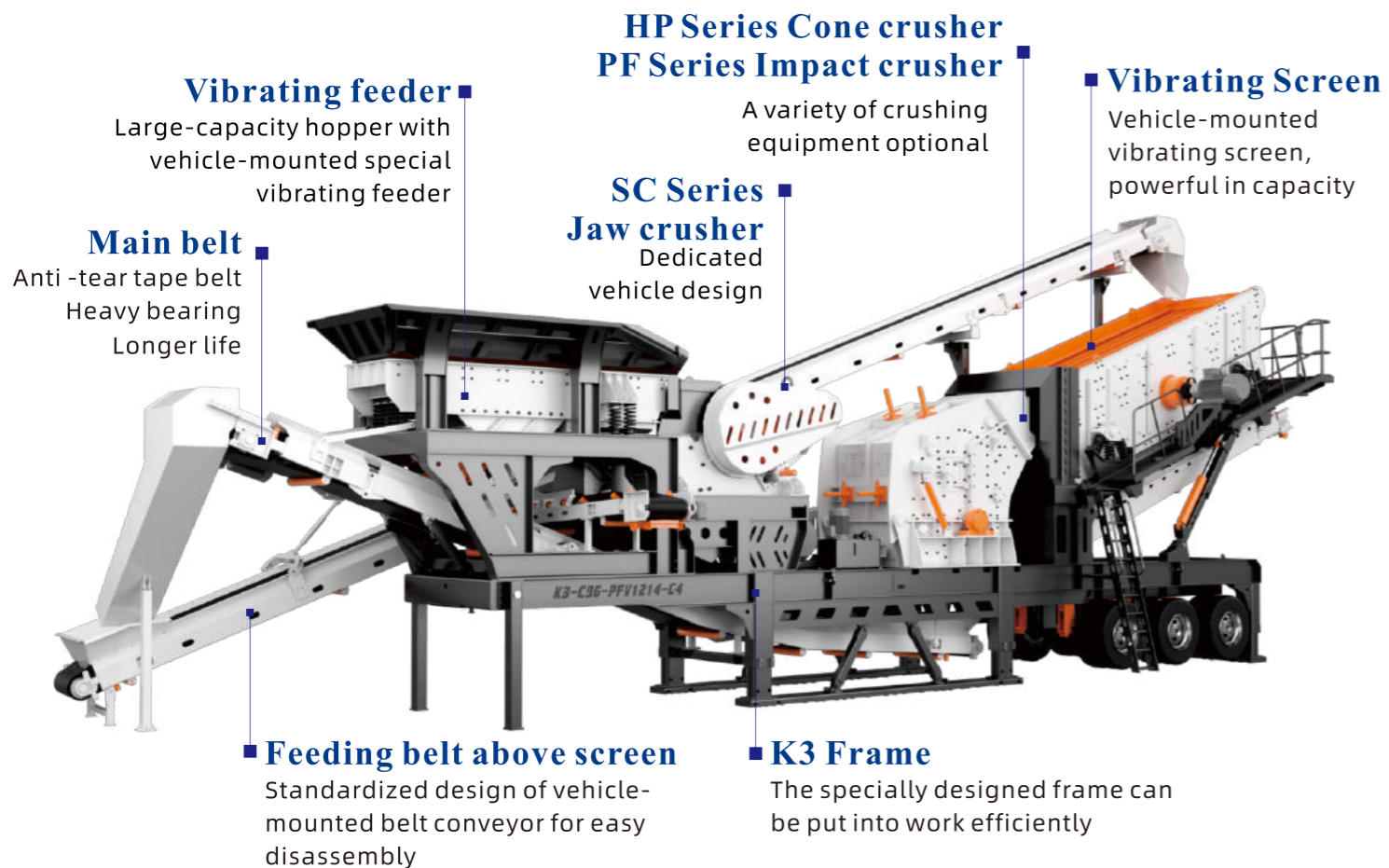
## Technical parameter

Model	K3-PF1214-3C	K3-LF150-3C	K3-LF250-3C
Vibrating feeder	GZD1142	GZD9638	GZD1142
Impact crusher	PFV1214	LF150	LF250
Vibrating screen	3YK1848	3YK1548	3YK1848
Main belt	B1000	B800	B1000
Capacity(t/h)	100-200	80-150	150-300

## Introduction

The three combination wheel-mounted crusher is applicable to the crushing of soft rock or Construction waste, which can easily and quickly Transfer from site to site. With the external power supply, it has its own closed circuit circulating crushing system to meet the customer's crushing needs in one station.



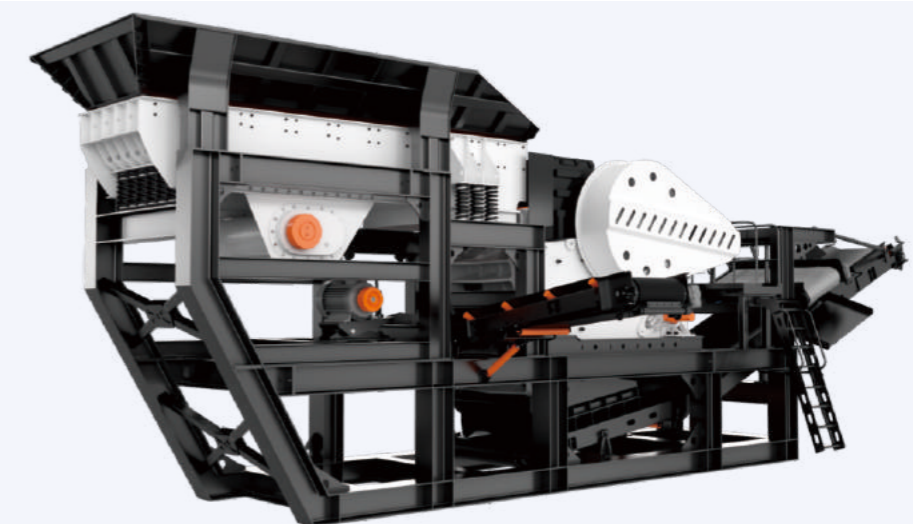
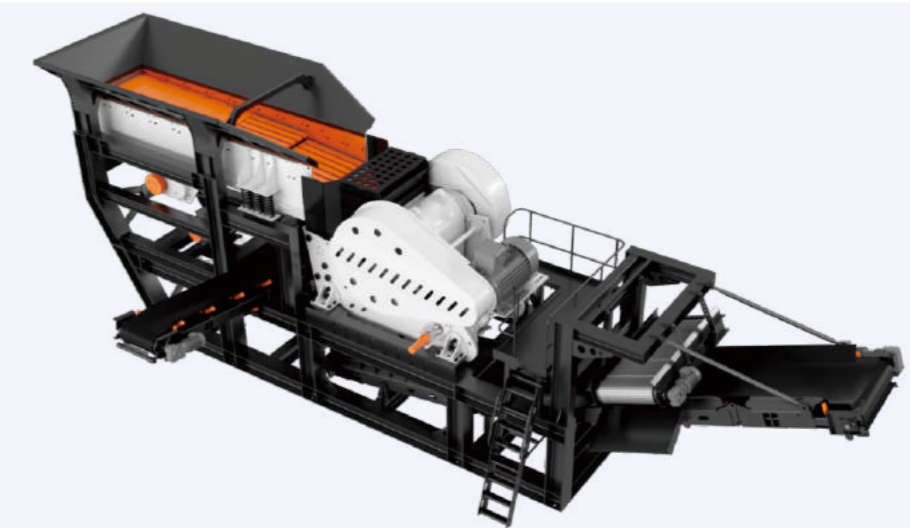
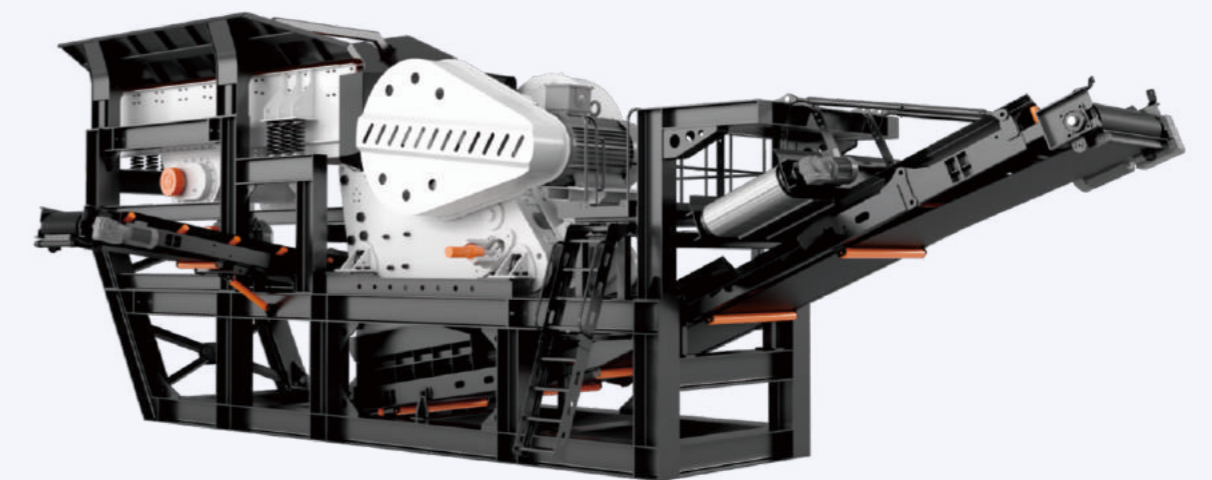


## Technical parameter

Model	K3-PE46-CS75-4C	K3-PE57-CS110-4C	K3-C96-HP200-4C	K3-C96-PF1214-4C
Vibrating feeder	GZD8530	GZD8530	GZD9638	GZD9638
Jaw crusher	PE400x600	PE500x750	SC96	SC96
Impact / Cone crusher	CS75	CS110	HP200	PFV1214
Vibrating screen	3YK1548	3YK1848	3YK1848	3YK1848
Main belt	B800	B800	B1000	B1000
Capacity(t/h)	50-80	80-150	100-200	100-200

## Introduction

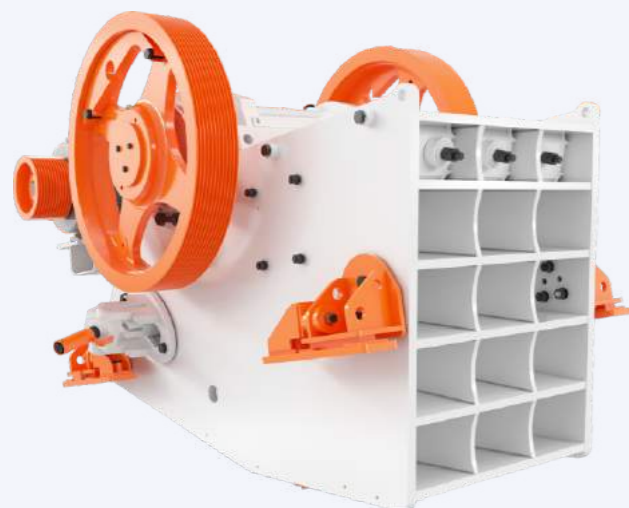
The four-combination mobile crushing station consists of a vibrating feeder, jaw crusher, cone (impact crusher), and vibrating screen to form a complete crushing system. It is a perfect substitute for small stationary crushing plant. After the equipment arrives at the customer site, it can be put into production quickly, saving a lot of time and cost.



## Introduction

Foundation-free installation, save time; It can be transported as entire machine, and it's easy to transfer; Simple structure, can be assembled quickly; Variety of equipment free combination, to meet different requirements.

## SC Jaw Crusher



### PRODUCT INTRODUCTION

SC jaw crusher is a new generation of jaw crusher introduced by European technology development. Compared with similar models, its production is high, low energy consumption, reliable structure, and simple operation and maintenance. Essence It is mainly used in industrial departments such as metallurgy, mines, chemicals, cement, architecture, refractory materials and ceramics.

01

#### No anchor-bolt installation method

The better balance can help the crusher to avoid the installation method of the anchor-bolt. The vibration-decreasing block made of rubber, which is installed in the bottom and side of the crusher support can realize the normal production of the crusher, while decreasing the impact of the vibration and helping to avoid the damage of the foundation.

02

#### Symmetrical cushioning chamber

The angle is between 18-22°, and the symmetrical crushing chamber can realize the mutual replacement of movable jaws and fixed jaws because the two are the same.

03

#### Hydraulic discharge adjustment system

The hydraulic discharging adjustment system is much easier and safer by comparing with the gasket adjustment system.

04

#### Integrated motor installation

The motor bearing and the crusher are installed together, which reduces the installation space of the crusher and the length of the V-belt, making the foundation simple, the service life of the V-belt is longer, and the standard pulley cover and flywheel cover can be configured at the same time.



### MAIN STRUCTURES

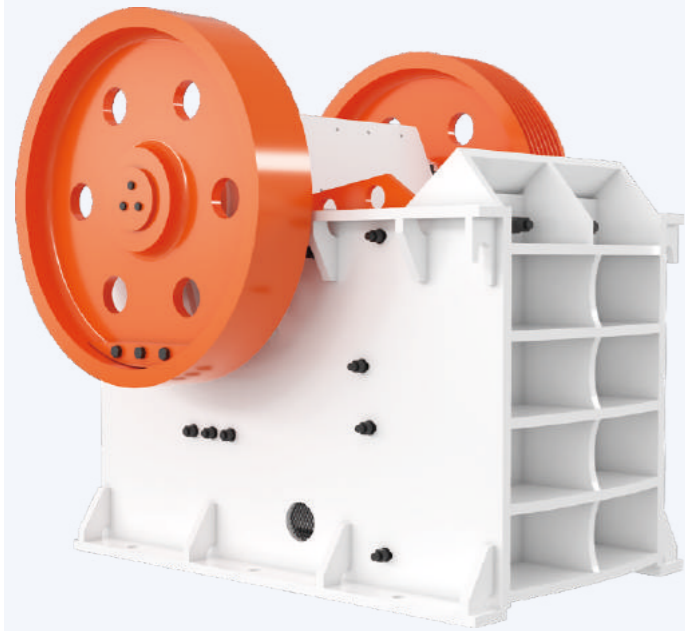


### SPECIFICATIONS

型号 Model	给料口尺寸 Feeding Size(mm)	最大给料粒度 Maximum Feed(mm)	电机功率 Power(kw)	出料口 Outlet size(mm)	处理量 Capacity(t/h)
SC96	930x580	490	90	60-175	120-410
SC106	1060x700	600	110	70-200	165-520
SC110	1100x850	720	160	70-200	180-540
SC116	1150x760	650	132	70-200	190-625
SC120	1200x870	740	160	70-175	190-560
SC125	1250x950	800	185	100-250	260-775
SC150	1400x1200	1020	220	125-250	355-900
SC160	1600x1200	1020	250	150-300	445-1170

The above data is for reference only, the data will change according to the actual working conditions.

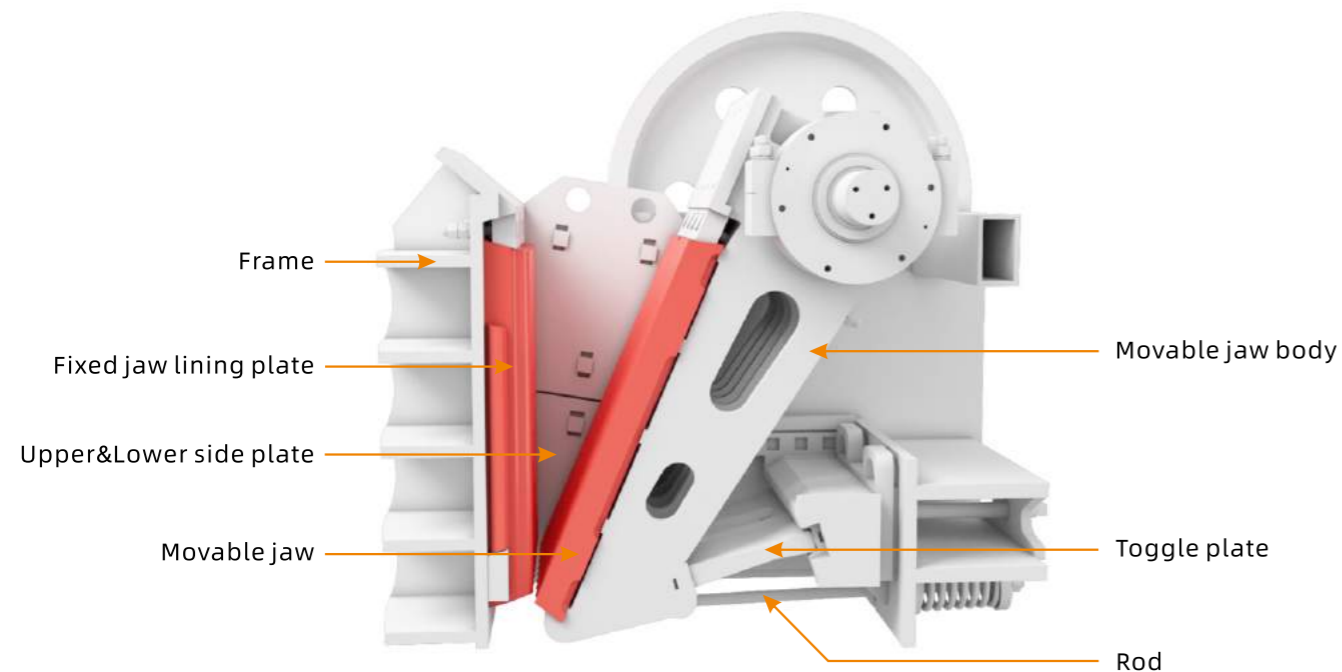
## PE Jaw Crusher



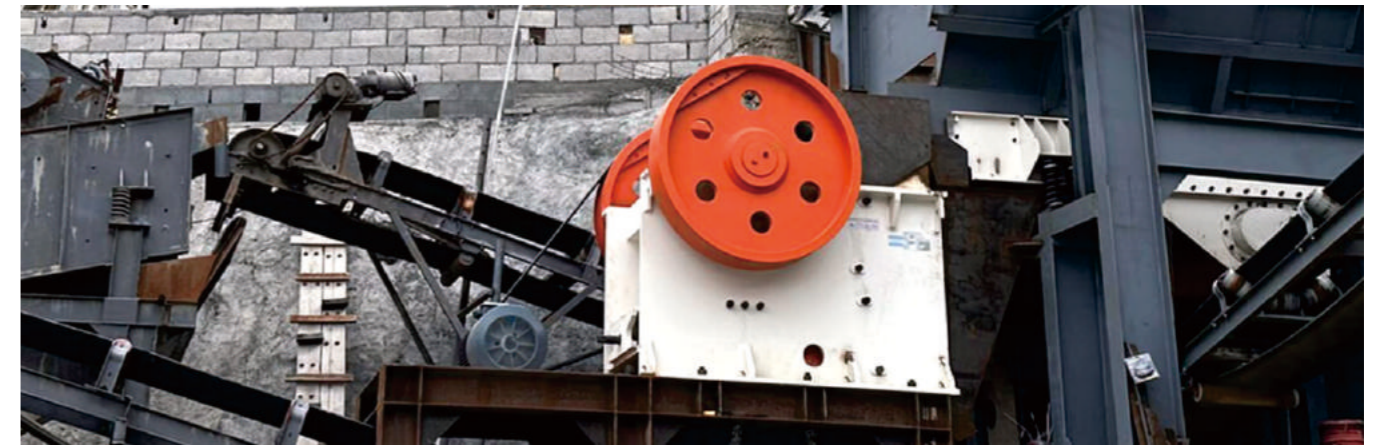
### PRODUCT INTRODUCTION

WOCATSPOM PE series jaw crushers are used as primary crushers in aggregate production, mining and recycling. As the most classic design, it is one of the most durable crusher in history, widely used all over the world. The PE series jaw crushers have proven to be stable and reliable due to their long history and countless cases. Continuous improvement and development has resulted in several models to suit a variety of different situations and requirements. The simple structure allows for easy maintenance and stable use by users, minimizing the risk of accidental failure.

### MAIN STRUCTURES



- 01 Large and reliable adjusting range of discharge outlet meets various requirements;
- 02 Safe and reliable lubrication system, easily changed spare parts and easy maintenance;
- 03 Large crushing ratio and Uniform discharge particle size;
- 04 Simple structure and low operation cost;

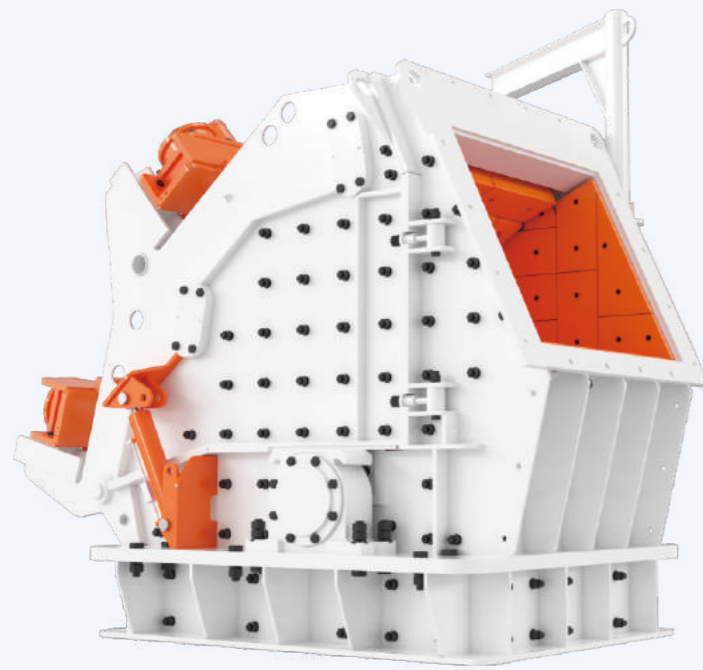


### SPECIFICATIONS

Model	Feeding Size(mm)	Discharge Size(mm)	Processing Capacity(t/h)	Motor Power(kw)	Overall Dimension(mm)
PE150 × 250	≤130	15-45	1-4	5.5	896 × 745 × 935
PE250 × 300	≤150	15-55	3-6	7.5	1050 × 987 × 1000
PE250 × 400	≤210	25-60	5-20	15	1215 × 1520 × 1030
PE400 × 600	≤350	40-90	15-60	30	1650 × 1588 × 1050
PE500 × 750	≤425	50-100	40-110	45	1956 × 1918 × 1920
PE600 × 900	≤500	60-125	90-180	75	2250 × 2733 × 2280
PE800 × 900	≤600	80-140	100-220	75	2450 × 2950 × 2490
PE750 × 1060	≤630	60-150	110-380	110	2531 × 2455 × 2783
PE900 × 1060	≤700	100-160	230-390	110	2900 × 2657 × 2950
PE900 × 1200	≤750	110-165	220-450	132	3100 × 2760 × 3260
PE1000 × 1200	≤900	110-185	315-500	132	3200 × 2760 × 3260
PE1200 × 1500	≤950	115-195	550-1000	220	3710 × 3446 × 4075
PE1500 × 1800	≤1200	135-225	600-1200	280	5100 × 4700 × 4300
PEX150 × 750	≤120	10-40	8-25	15	1310 × 1118 × 1145
PEX250 × 750	≤210	15-50	15-35	22	1400 × 1751 × 1515
PEX250 × 1000	≤210	15-60	15-60	30	1550 × 1964 × 1380
PEX250 × 1200	≤210	15-60	20-60	37	1530 × 1946 × 1380
PEX300 × 1300	≤250	25-60	16-105	55-75	2000 × 2320 × 1730

The above data is for reference only, the data will change according to the actual working conditions.

## LF Impact Crusher



### PRODUCT INTRODUCTION

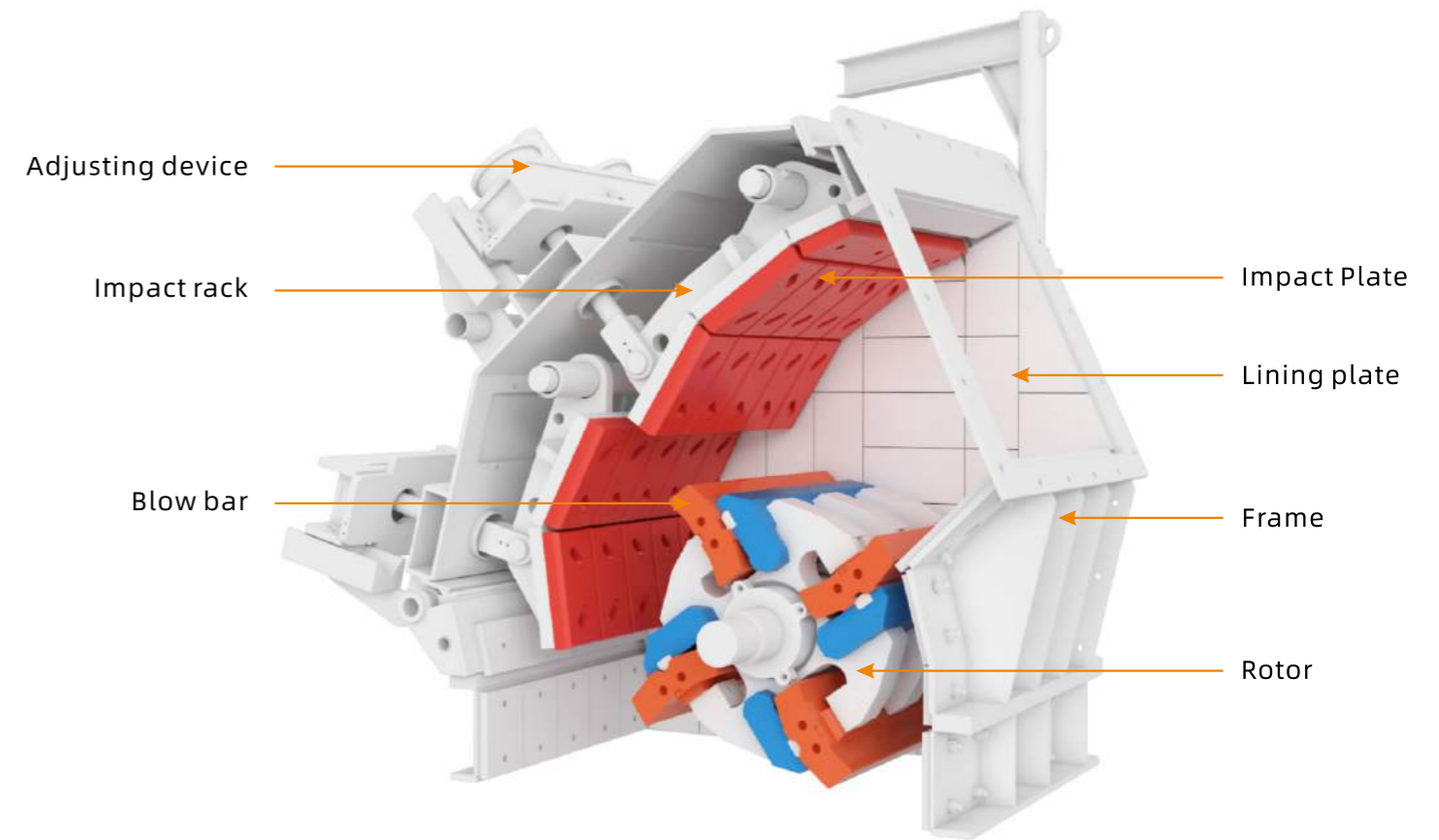
This crusher is a kind of high-efficiency and energy-saving crushing equipment. It can crush ores with compressive strength not exceeding 350 MPa, as well as limestone, slag, coke, coal, etc. The crusher has the characteristics of large crushing ratio, good and evenly particle shape. It is mainly used for water and electricity, highways, building materials waste processing and artificial construction aggregate processing.

### Overview of advantages

- 01 Wide adjustment range, multiple crushing sizes.** Impact crusher can adjust the size of the discharge particles by adjusting the rotor speed, adjusting the gap between the impact plate and the grinding cavity, etc. to achieve the diversification of crushing specifications.
- 02 Energy saving, stable operation.** Large feed opening, high crushing cavity, comprehensive crushing function, high production efficiency, stable and high capacity and energy saving.
- 03 Simple structure and easy maintenance.** The plate hammer is compressed by wedge block, easy to disassemble, and can be easily replaced with special tools designed.
- 04 Less wear, longer service life.** The wear of the plate hammer only appears on the side facing the material, when the rotor rotates, the material will fall to the surface of the plate hammer (hitting surface). The back and side of the plate hammer are not worn, even if the side facing the material is rarely worn.



## MAIN STRUCTURES

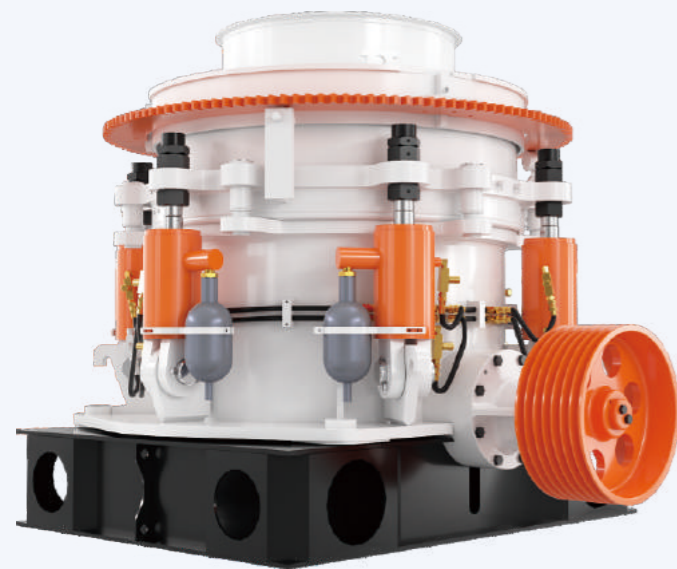


### SPECIFICATIONS

Model	Feeder Opening Size(mm)	Max Input Size(mm)	Processing Capacity(t/h)	Power(kw)	Weight(kg)
LF150	820 × 980	≤ 500	100–200	90–200	12000
LF250	960 × 1360	≤ 700	200–400	180–250	17000
LF350	1050 × 1700	≤ 800	300–500	200–400	24000
LF450	1350 × 1950	≤ 900	350–580	220–440	29600

The above data is for reference only, the data will change according to the actual working conditions.

## HP Multi-Cylinder Hydraulic Cone Crusher



### PRODUCT INTRODUCTION

WOCATSPOM cone crushers are reliable rock crushing machines for all demanding quarry, mining, and tunneling applications. Over the years they have become the popular modern cone crushers in the world.

WOCATSPOM has many cone crushers in operation around the world, including the leading HP (multi-cylinder hydraulic cone crusher) and SH (single cylinder hydraulic cone crusher). The knowledge we gain from experience, research and customer feedback is passed on to you in the form of refinements and valuable advice.

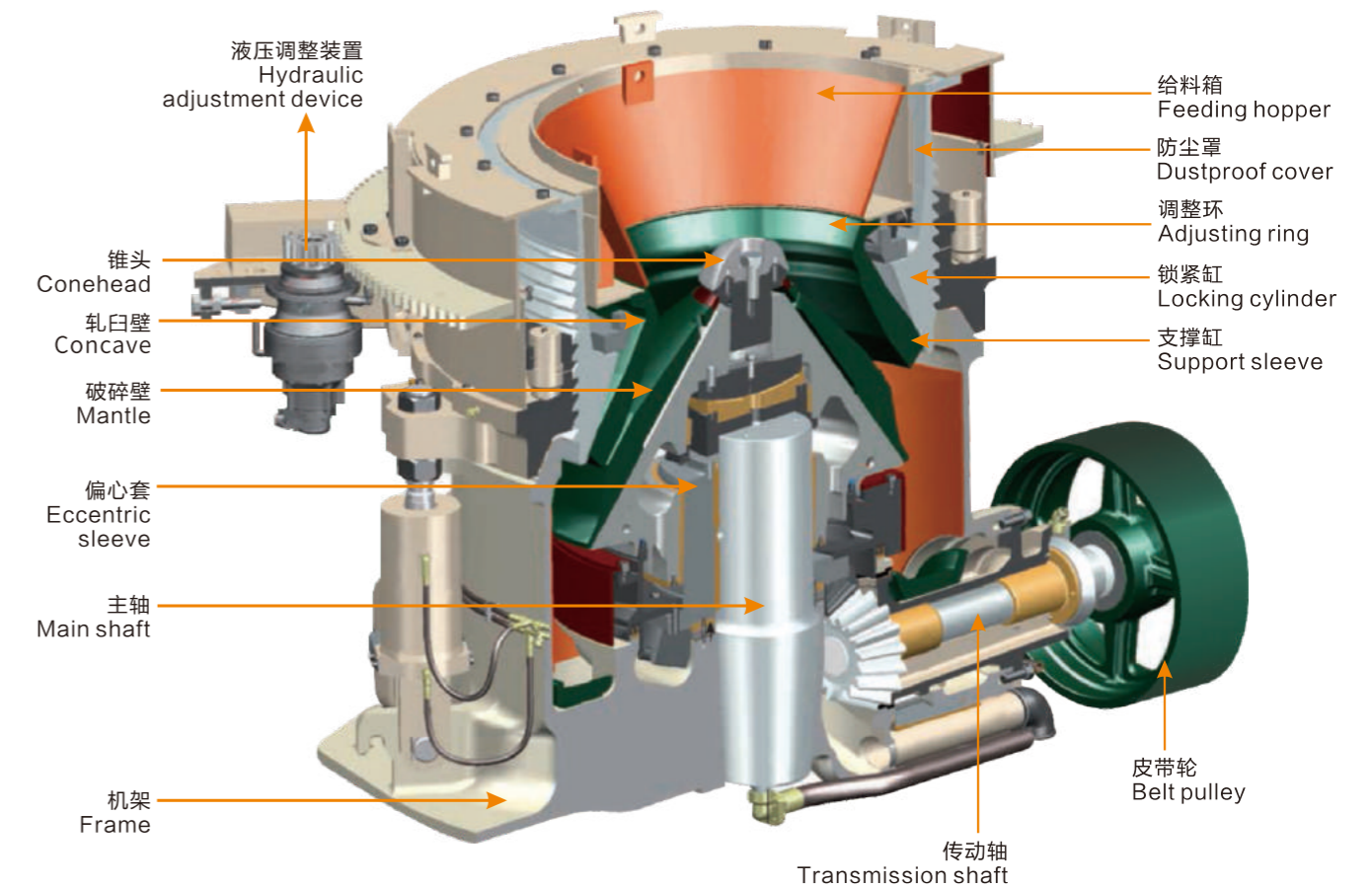
Final products for quarries include aggregates for concrete, asphalt and railway ballast.

### Overview of advantages

- 01 **1/ High crushing efficiency.** It adopts the optimal structure of fixed spindle and small spherical axis, the efficiency is 5%-15% higher than the spring cone crusher.
- 02 **2/Super strong production capacity.** The perfect combination of crushing stroke, crushing speed and crushing cavity make its yield 35% - 60% higher than common cone crusher.
- 03 **3/Perfect finished particles.** Using the unique principle of multi-layers crushing, the ratio of cubic particles in the finished product is obviously increased, the flakiness particles are reduced, and the grade is more reasonable.
- 04 **4/Advanced lubrication mechanism.** Multi- point hydraulic lubrication control system can ensure that the equipment bearing lubrication double protection and overload protection.



## MAIN STRUCTURES



## Core technology



Integrated oil station

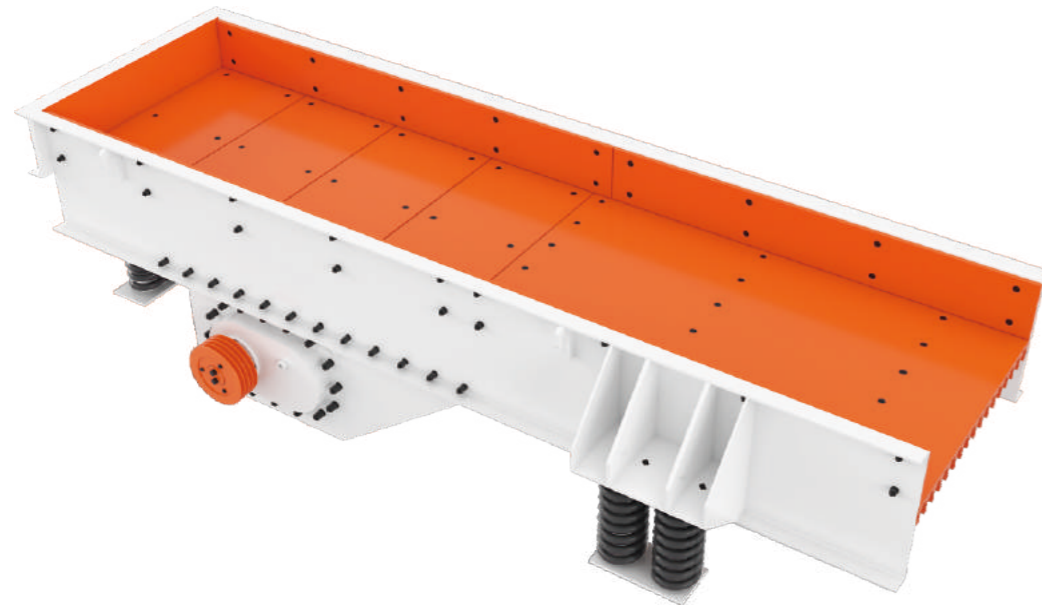


Intelligent control system

## Vibrating Feeder

### PRODUCT INTRODUCTION

During the processing, it can transfer the bulk, granular to the crusher from the stock bin evenly and continuously in the given time. In the stone and sand production line, it can feed the crushing equipment continuously and screen the materials coarsely. It is widely used in the crushing and screening equipment of metallurgy, coal, chemical industry, construction material, grinding industry, etc. It has the advantages of stable vibration, reliable operation, simple structure and prevention of dust pollution.



### SPECIFICATIONS

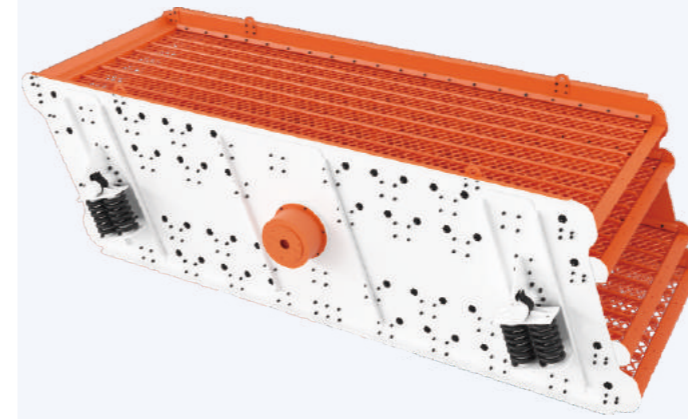
Model	Size of Trough(mm)	Feeding Size (mm)	Motor Power (kw)	Capacity(t/h)	Overall Dimension(mm)
GZD-650 × 2300	650 × 2300	≤300	1.1 × 2	80	2300 × 1360 × 780
ZSW-850 × 3000	850 × 3000	≤400	7.5-11	80-120	3110 × 1800 × 1600
ZSW-960 × 3800	960 × 3800	≤500	11-15	120-210	3850 × 1950 × 1630
ZSW-1100 × 4200	1100 × 4200	≤580	18.5	200-430	4400 × 2050 × 1660
ZSW-1100 × 4900	1100 × 4900	≤580	18.5	280-500	5200 × 2050 × 1700
ZSW-1300 × 4900	1300 × 4900	≤650	22	450-600	5200 × 2350 × 1750
ZSW-1300 × 6000	1300 × 6000	≤700	30	450-680	6100 × 2350 × 1750
ZSW-1500 × 6000	1500 × 6000	≤1000	37	400-800	6100 × 2550 × 1860

The above data is for reference only, the data will change according to the actual working conditions.

## YZK Series Circular Vibrating Screen

### PRODUCT INTRODUCTION

The motion path of circular vibrating screen is similar to a circle, hence its name. And the circular vibrating screen is a multi-layer and high efficiency. This kind of screen has long stream line, many specifications and clear screening for different specifications. So it is widely used in the quarry, building material, transportation, energy, chemistry, etc. The utility model has the advantages of strong excitation force, simple structure, convenient maintenance, stable operation, large processing capacity, long service life and low noise.



### SPECIFICATIONS

Model	Screen Surface Specification (mm)	Layer	Feeding Size (mm)	Screen mesh Size	Processing Capacity (t/h)	Power (kw)	Vibrating Frequency (r/min)	Stroke (mm)
2YZK1237	3700*1200	2	≤400	3-50	30-100	5.5	970	5-9
3YZK1237	3700*1200	3	≤400	3-50	30-100	7.5	970	5-9
2YZK1548	4800*1500	2	≤400	3-100	30-275	15	970	5-9
3YZK1548	4800*1500	3	≤400	3-100	30-275	15	970	5-9
2YZK1848	4800*1500	2	≤400	3-100	56-330	18.5	970	5-9
3YZK1848	4800*1800	3	≤400	3-100	56-330	18.5	970	5-9
4YZK1848	4800*1800	4	≤400	3-80	56-330	22	970	5-9
2YZK1860	6000*1800	2	≤400	3-100	65-586	18.5	970	5-9
3YZK1860	6000*1800	3	≤400	3-100	65-586	22	970	5-9
4YZK1860	6000*1800	4	≤400	3-100	65-586	30	980	5-9
2YZK2160	6000*2100	2	≤400	3-100	81-720	22	980	5-9
3YZK2160	6000*2100	3	≤400	3-100	81-720	30	970	5-9
4YZK2160	6000*2100	4	≤400	3-100	81-720	30	980	5-9
2YZK2460	6000*2400	2	≤400	3-150	100-810	22	970	5-9
3YZK2460	6000*2400	3	≤400	3-150	100-810	30	980	5-9
4YZK2460	6000*2400	4	≤400	3-150	150-850	37	980	5-9
2YZK2870	7000*2800	2	≤400	5-100	120-680	22*2	750	8
3YZK2870	7000*2800	3	≤400	5-100	180-720	22*2	750	8
2YZK3070	7000*3000	2	≤400	5-100	200-700	37	750	8
3YZK3070	7000*3000	3	≤400	5-100	230-800	45	750	8

The above data is for reference only, the data will change according to the actual working conditions.

## PRODUCT INTRODUCTION

Rubber-belt conveyor is also known as belt conveyor. The belt conveyor moves according to the principle of friction transmission and is suitable for conveying powder, granular and small massive materials and bagged materials, such as coal, gravel, sand, cement, fertilizer, grain, etc., with the density less than 1.67/t/m<sup>3</sup>. The belt conveyor can be used in the range of -20C to 40C ambient temperature and the temperature of the aggregates being conveyed is less than 60°C. The length of the machine and assembly form can be determined according to the user's requirements, The transmission can be used by the electric drum or drive device with drive frame.



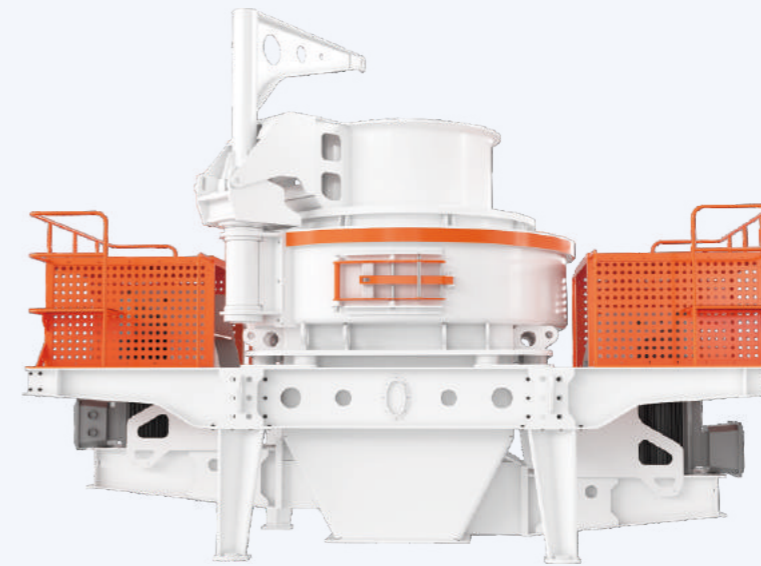
## SPECIFICATIONS

Belt Width	Transport Length (m) / Power (kw)			Transportation Speed (m/s)	Throughput (t/h)
B400	≤12/1.5	12-20/2.2-4	20-25/4-7.5	1.3-1.6	40-80
B500	≤12/3	12-20/4-5.5	20-30/5.5-7.5	1.3-1.6	60-150
B650	≤12/4	12-20/5.5	20-30/7.5-11	1.3-1.6	130-320
B800	≤6/4	6-15/5.5	15-30/7.5-15	1.3-1.6	280-540
B1000	≤10/5.5	10-20/7.5-11	20-40/11-22	1.3-2.0	430-850
B1200	≤10/7.5	10-20/7.5-15	20-40/15-30	1.3-2.0	655-1280
B1400	≤10/11	10-20/11-22	20-40/22-45	1.25-2.0	400-680
B1600	≤10/15	10-20/22-30	20-50/30-75	1.25-2.0	600-1080

The above data is for reference only, the data will change according to the actual working conditions.

## PRODUCT INTRODUCTION

5X high efficiency vertical shaft impact crusher is a sand making machine of new generation developed to improve energy utilization efficiency, reduce the wear rate, prolong maintenance cycle, save maintenance time, increase crushing efficiency and strengthen control ability. It is well received by high efficiency, high capacity, low energy consuming, good discharge particle shape, easy maintenance and wide application, meeting the needs of modern sand production.



## SPECIFICATIONS

Model		5X7615	5X8522	5X9532	5X1145	6X1150	6X1263
Capacity (t/h)	Cascade and Center Feeding	150-280	240-380	350-400	413-442	450-545	550-640
	Center Feeding	70-140	120-200	180-280	250-360	344-368	454-486
Feeder Opening Size (mm)	Soft Material	35	40	45	50	45	50
	Hard Material	30	35	40	45	55	60
Rotation Speed (r/min)		1700-1900	1500-1700	1300-1510	1100-1310	1000-1300	900-1200
Power of the Double Motors(kw)		110-150	180-220	260-320	400-440	440-500	600-630
Overall Dimension (mm)		4100X2330X2300	4140X2500X2700	4560X2600X2900	5100X2790X3320	5700X2980X4190	5500X2750X3950
Power		380V, 50Hz					
Thin oil lubrication station	Power of Double Oil Pump	2 × 0.25Kw					
	Safety	Double oil pumps make sure supply of oil; Stop automatically without oil flow or oil pressure; Water cooled; Heating start the motor in winter					
	Overall Dimension (mm)	820 × 520 × 1270					
	Power of Oil-box Heater Dimension (mm)	2Kw					

The above data is for reference only, the data will change according to the actual working conditions.

## » CUSTOMER SITES

Our products carry excellent quality and deliver high-quality products to every corner of the earth. In the construction of national economy at home and abroad, we survive forever with persistent efforts and innovation and working day and night.

