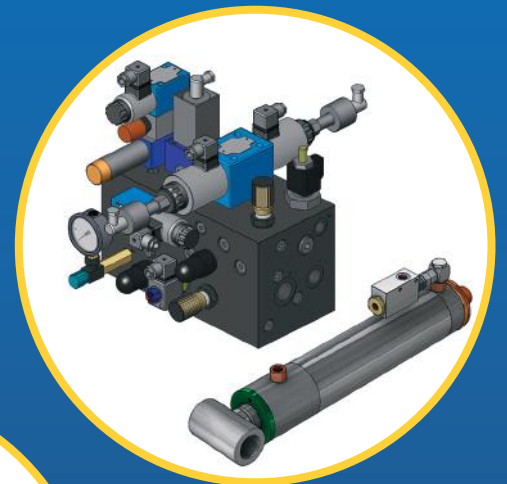




PF PARMMAFLUID

FLUID POWER SYSTEMS

Your hydraulic **PEOPLE**



Company Profile

WHY ARE WE YOUR HYDRAULIC PEOPLE?



Partner

Parmafluid is your trusted hydraulic partner. With **vast knowledge, commitment and passion**, our team is **behind you** to find a solution for your system.

pag. 3



Experience

In the market since 1987, we can offer 30 years experience in the hydraulic field, being one of the few companies able to provide an answer to all of your requirements.

pag. 4



Official Distributor

At Parmafluid you can find the **very best brands** in **hydraulics and pneumatics**: quick access to high quality components in our complete and **extensive stock**.

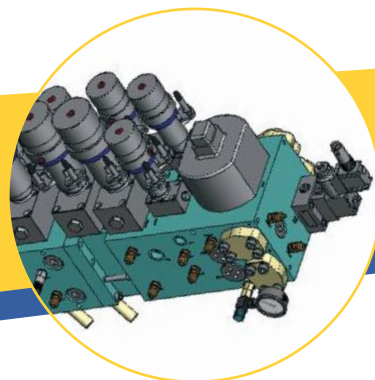
pag. 6



Products

We produce **POWERPACKS, TEST BENCHES, MANIFOLDS and CYLINDERS** using hydraulics and pneumatics for mobile and industrial applications. At Parmafluid the client is accompanied from the design stage to the final application!

pag. 8



Looking to the future

Every day we work to bring updates and new services to our clients, using **new softwares** and **web technologies**.

In Parmafluid, the future is now!

pag. 13



Export Network

We export our products to more than 100 countries around the world and we are creating a **distribution network** which allows all our customers to have complete assistance.

pag. 15

Partner



BY YOUR SIDE IN ITALY AND THE UK

COMPETENCE – KNOWLEDGE – PASSION – SAFETY – PRECISION – RELIABILITY – QUALITY – ATTITUDE - SPEED

These are the characteristics of the **PARMAFLUID TEAM**,
a group of people ready to be your **HYDRAULIC PARTNER**.

Experience

ABOUT US

Today we offer **hydraulic and pneumatic solutions** to a growing market, with close attention to the future with **research** and **innovation** but without forgetting our origins. Our mission:

- a constant **modernization** and **moving with the times**.
- costs optimization, to be more **competitive**.
- courage to **invest** also in times of crisis and uncertainty, to **improve** the company.
- attempt to offer an **even more advanced service** through new technologies.
- **best use of human resources**, our strong point for 30 years.

From 1987 until now, the same values guide us through the challenges of the **future** market.

BIRTH

Parmafluid srl foundation, in Strada Manara, Parma.

CONSOLIDATION

Parmafluid becomes a Master distributor of Bosch Rexroth, Casappa, Walvoil. The headquarters moved to via Azzoni 9/A.

GROWTH

Joint Venture with the english company VHS Hydraulic Components Ltd. Creation of the production department for cylinders, powerpacks and test benches.



1986



1987
1998



1998
2002

"La Repubblica", 27th February 1990

...economico
...consolidato, rappre-
...sentato da quelle storiche a-
...ziende, e da una realtà di nu-
...merose imprese medie e me-
...dio-piccole specializzate nei
...più svariati settori, e di com-
...plemento all'industria agro-a-
...limentare.

...suo economico
...consolidato, rappre-
...sentato da quelle storiche a-
...ziende, e da una realtà di nu-
...merose imprese medie e me-
...dio-piccole specializzate nei
...più svariati settori, e di com-
...plemento all'industria agro-a-
...limentare.

La Parmafluid entrata nel 1986 nel mercato produttivo provinciale, è una di quelle piccole imprese che realizzano componenti e sistemi oleodinamici per il settore industriale, per il settore meccanico alimentare e per il comparto delle movimentazioni industriali. Altamente specializzata, la Parmafluid costruisce

impianti idraulici e cilindri oleodinamici e commercializza la componentistica specifica rivolgendosi ad una clientela regionale. La competenza e la qualità dei suoi prodotti sono garanti del suo sviluppo.

Dalla componentistica specializzata, seguendo l'iter produttivo, all'azienda che costruisce le vere e proprie macchine per la lavorazione dei prodotti alimentari. La Parmafluid ha un'esperienza di oltre quindici anni, gestita da una sana filosofia aziendale proiettata verso uno sviluppo qualitativo continuo.

Operante nella produzione

...ropea.
...e un'azienda
...che tutti conosciamo
...la storia: il latte a lunga con-
...servazione.

Ma dopo il latte, di cui ne in-
...scatola circa due milioni di litri
...al giorno, e che rappresenta il
...45% del suo fatturato, altri
...sono i prodotti che si sono ag-
...giunti alla produzione: le pas-
...sate di pomodoro, i succhi di
...frutta, i dessert, le creme di
...frutta, il burro, i formaggi, i bi-
...scotti, i prodotti da forno e lo
...yogurt.

Si chiama Kyr ed è yogurt ai
...fermenti lattici, arricchito di
...microbi (bifido bacterium bifi-
...dus, lactobacillus acidophi-
...lus) generatori di salute pro-
...teggendo l'organismo da una
...serie di malesseri e disfunzio-

Your hydraulic

AUTOMATION

Installation of 4 Automated Vertical Warehouses for a more efficient and faster management of over 10000 product codes.



2008
2016

INTERNATIONALIZATION

New brand identity, first international fairs, Neilson Hydraulic joins the group and we officially become CERTIFIED EXCELLENCE SOLUTION Partner of Bosch Rexroth.



2016
2019

DIGITIZATION

Renewed website www.parmafluid.com and the launch of new eshop.parmafluid.com platform.



2019
2022



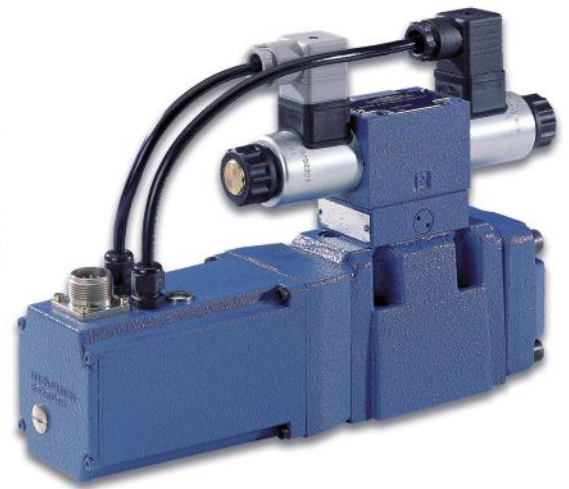


Official distributor

OUR OFFICIAL BRANDS, AVAILABLE AT THE BEST PRICE

Parmafluid is an **official distributor** of leading brands in the hydraulic and pneumatic fields. **Competitive prices**, wide in-store **availability**, **technical support** in the choice of components, the possibility to **customize** the product: these are our strong points.





Official distributor

SERVICES



LIVE STOCK & IMMEDIATE RESPONSES

Through the company's automated warehouses, in our **reserved on-line area**, it's possible to check the availability and prices in **real time** of all managed products; contacting us directly, the system guarantees **accurate and immediate responses**. Seeing is believing!



MODIFICATIONS AND DELIVERIES IN 24/48H

As Master Distributor with a wide availability of components, we can carry out various types of **adaptation, modification, calibration** in our production department so as to provide special products (**multiple pumps, distributors, mini powerpacks**) with **quick delivery**.



100.000 MANAGED CODES

50 HYDRAULIC BRANDS IN STOCK

100 COUNTRIES WHERE WE WORK

NUMBERS

We are able to organize **worldwide deliveries**, communicate in **many languages**, evaluate modifications and carry out **repairs on site** if necessary. Either directly or through our sales network, we are able to **assist our clients**, in all places and at all times.



PNEUMATICS

For many years Parmafluid has had a well-stocked warehouse with **pneumatic material and technical support** for choice and installation. We also produce various types of pneumatic **systems** using components from brands indicated by the clients.

Products: Powerpacks

FROM PROJECT TO POWER

We manufacture **powerpacks of all sizes**, assisting the client from the **design stage** through to the **machine start**, both in **simple construction** and in the **most complex circuits**. We design the products using a studied **modular system** in order to meet **specific requirements**, starting from an optimized **standard model**.



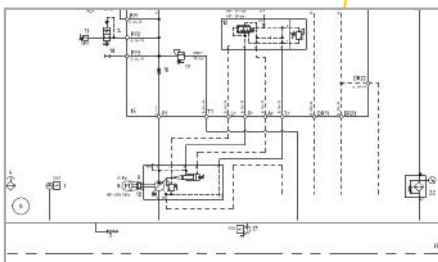
CUSTOMIZATION

Dimensions, positioning of components, brands, connections, options: all of this can be defined in accordance with the specific requirements of each project.



ENERGY SAVING

We advise and assist the client on the complete choice of effective and efficient solutions.



2D DRAWING



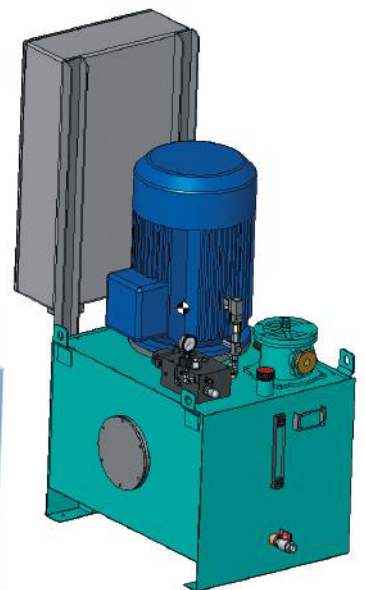
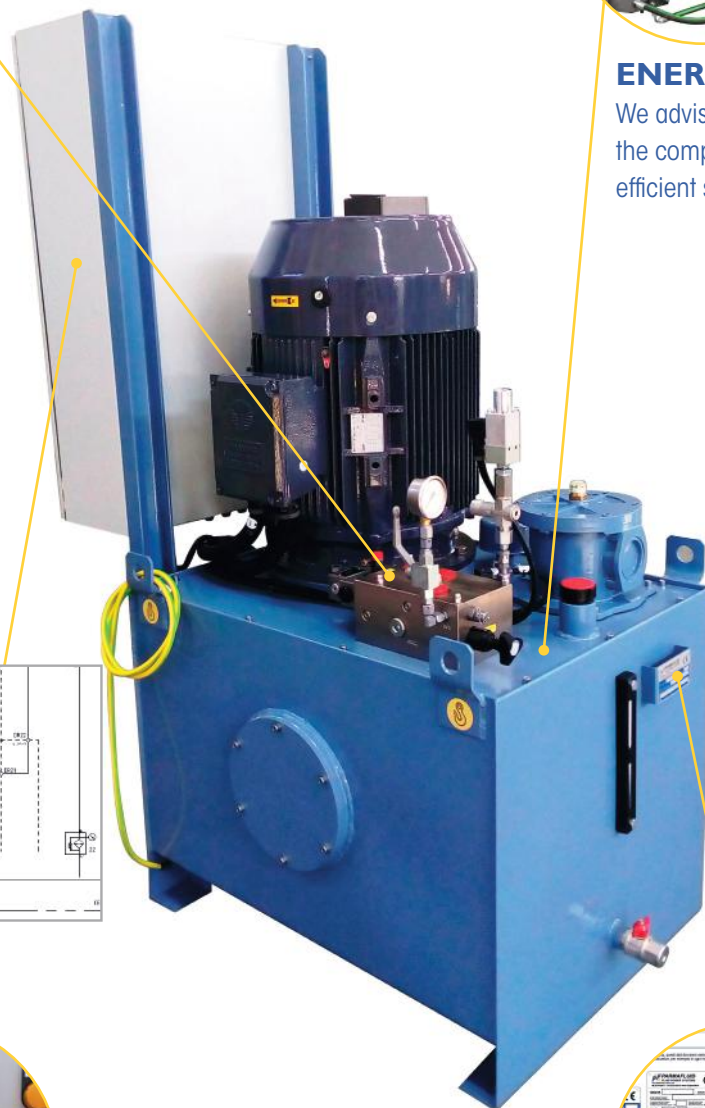
ELECTRICAL SYSTEM

Our specialized internal department can design and produce electrical panels for all of our powerpacks.



CE MARK AND MANUALS

All of our powerpacks carry the CE mark and come with a multi-lingual user and maintenance manual.



3D PROJECT

Products: Powerpacks

APPLICATIONS



OIL & GAS

We are a market **leader** in the production of powerpacks for the **oil and gas extraction** sector both, **on land and at sea**. In full respect of the **standards**, we use **certified flame-proof (Atex)** components always with an eye to **energy saving**.



MARINE & OFFSHORE

We offer **both standard and customized products** for the **marine/naval** field. Our know-how includes **offshore, over the deck and shipboard** powerpacks with a high degree of protection, also **certified** in collaboration with the best known international bodies (**ABS, BUREAU VERITAS, CCS, DNV/GL, LR, RINA**).



INDUSTRIAL

We work with all types of industrial applications, the key sector for hydraulic **powerpacks**. We are experts in specific applications for **hydraulic presses, cnc machines, logistics shuttles (agv, lgv), filtration units, special machines** for sectors such as **CHEMICALS, FOOD, LIFTING, LOGISTICS, MARBLE, PAPER, PLASTIC, RUBBER, RUBBISH DISPOSAL, SHEET METAL, STEEL-WORKS, WOOD**.



MOBILE

The in-line systems in the mobile sector have always been one of our specialities, both in the **supply of components** at a competitive price, and in the **technical support for the client in the designing** of a new machine, to the **research for innovative solutions**. We work in the following sectors every day: **AGRICULTURE, BUILDING, CONSTRUCTION, FORESTRY, LIFTING, MINING, RAILWAYS, COMMERCIAL AND INDUSTRIAL VEHICLES**.

Products: Test Benches

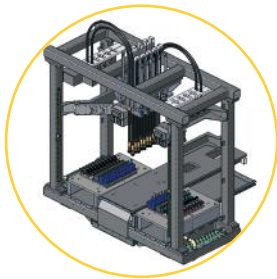
THE MOST COMPLEX HYDRAULIC MACHINES

The hydraulic test benches are a **mark of distinction** in the Parmafluid production, the **highest levels of technology** at the service of the best known component manufacturers of the sector. We can test **pumps, valves, distributors, cylinders, hoses** for use in **production or research**. We propose innovative solutions for ever greater requirements of performance, reliability and speed, putting **electronics** and **automation** at the service of hydraulics.



AUTOMATION

Using the product leaders in this sector, we program **softwares that manage the test cycles** depending on the **automation** required by the client.



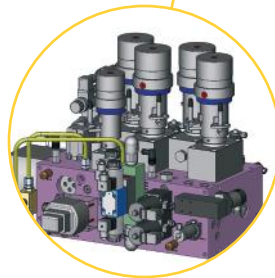
FIXING SYSTEM

We design and install the **component fixing equipment** for both **manual** and **automatic** operations.



MAINTENANCE

We design the machine layout as compact as possible to allow **ease of access**: special **sliding carriages** allow simple quick maintenance.



MANIFOLD

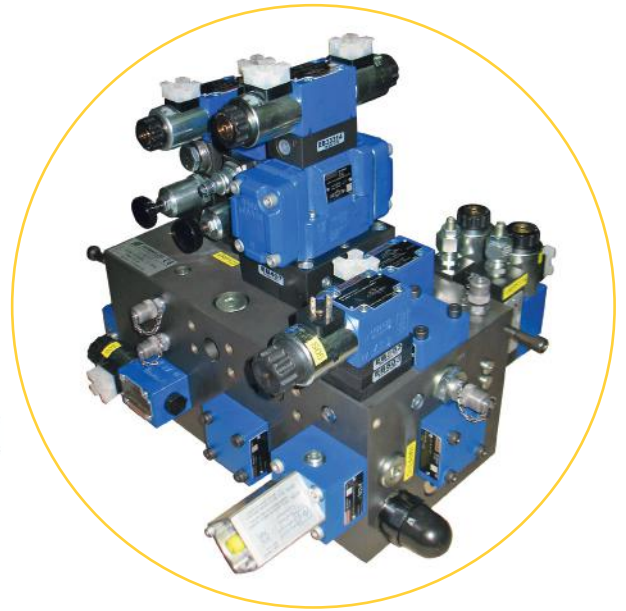
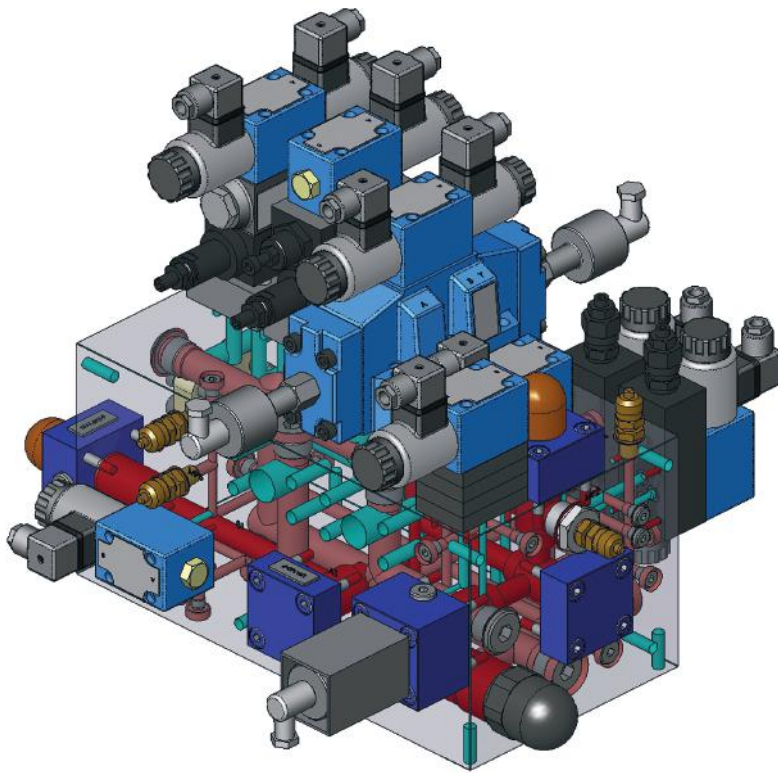
The hydraulic circuit is normally installed using **large circuit manifolds** produced by us, which aid **assembly and maintenance**.



Products: Manifolds

MANIFOLD TECHNOLOGY TO DEVELOP THE MOST COMPLEX CIRCUITS

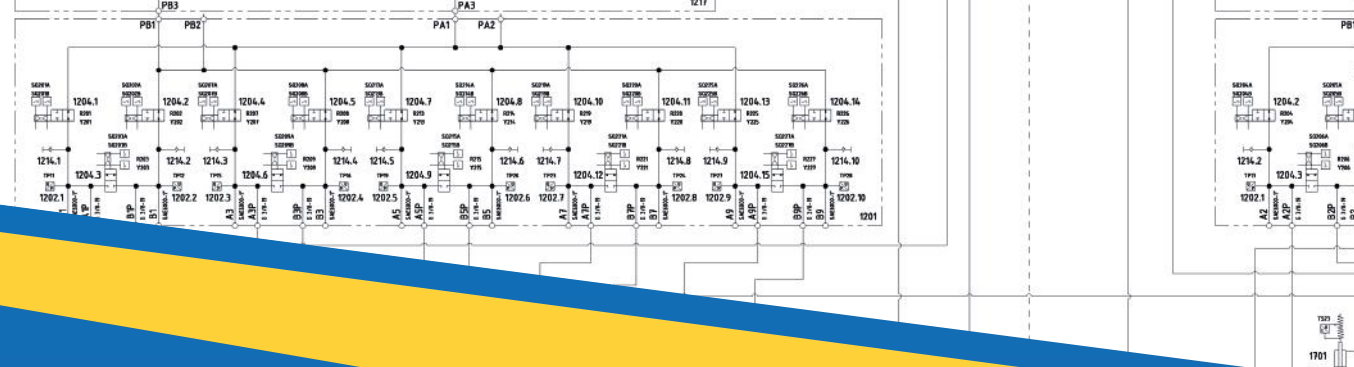
In recent years the technological development of the company has been concentrating on the **manifold** division: dedicated **softwares, significant experience, materials and components from the best brands** make it possible to simplify **extremely complex** circuits, such as those found on test benches, of compact and functional design, with ease of installation and maintenance.



MANIFOLD TECHNOLOGY TO WORK IN SMALL SPACES

The manifold is a **high quality solution** also where the **working area is restricted** or particularly tight. The possibility of defining the **assembly layout** based on the project allows us to foresee the exact dimensions and to make an accurate study of **maintenance and intervention methods** and accessibility should they be needed.





Products: Cylinders

OUR OWN PRODUCTION TO COMPLETE THE PACKAGE

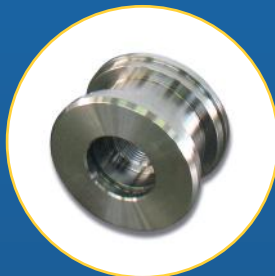
Since 1987 we have produced hydraulic cylinders making the Parmafluid products package complete like few others on the market. One team, one partner, one technical support for all requirements in the hydraulics field: this is how we wish to present ourselves to our clients.

Our range includes **welded cylinders** up to 200 mm diameter and 4000 mm of stroke and **tie-rod cylinders** all according to drawings.

Components and extras are available on our cylinders:



HEADER
Steel or cast iron guidance header.



PISTON
Threaded internal piston.



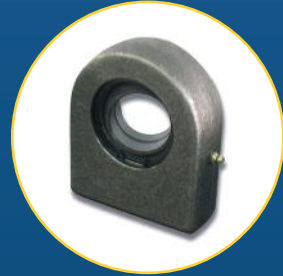
CONNECTION OPTIONS
Vaste range of connections are available: **tilting** (photo), **round or squared flange, front or rear**.



FORK
Many possibilities of front and rear customization with rod ends and forks dependant on project needs.



STEM END



ROD END

Looking to the future

OUR DISTRIBUTION STRENGTHS



DISTRIBUTION CENTER FOR GEAR AND PISTON PUMPS

With our **international leading brand** products, our **large stock holding and availability** and our **ability to adapt and test** products, we are known as a **worldwide** distribution center for gear and piston pumps with both fixed and variable displacement.



EVERY TYPE OF ON-OFF AND PROPORTIONAL VALVES IN STOCK

Large stock of **servo valves, solenoid valves, on-off, proportional, pressure, flow, directional valves** and the possibility to choose among the **best brands** on the market. Thanks to our highly specialized staff, we are able to advise you in the **integration of valves** on each hydraulic system.



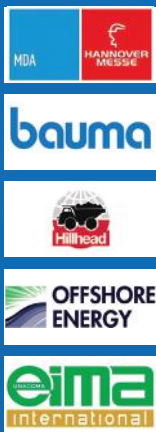
COMPLETE SERVICE FOR MONOBLOCK, SECTIONAL, LOAD SENSING AND FLOW SHARING DISTRIBUTORS

As a **Walvoil Master Distributor** and thanks to our **production department**, we can offer complete support for the product **customization: assembly and transformation** combined with a considerable **stock availability** for one quick solution dedicated to every need.



COMPLETE HYDAC RANGE: ACCUMULATORS, SENSORS AND VALVES

For years we have been **official HYDAC distributors** with privileged access to a complete and qualitative product range. We can offer a **large stock for bladder and membrane accumulators**, various types of **sensors** and **cartridge valves** for every application.



Export network

IN THE WORLD WITH OUR PARTNERS



HEADQUARTERS
ITALY
PARMAFLUID S.r.l.
Via Azzoni 9/A
43122 Parma - Italy
info@parmafluid.it



SISTER COMPANY
UK AND IRELAND
VHS Hydraulic Components Ltd
Unit 2, Carley Drive - Sheffield
S20 8NQ - United Kingdom
info@hydraulic-components.net



SISTER COMPANY
UK AND IRELAND
NEILSON Hydraulics & Engineering Ltd
5 Sanderson Street - Sheffield
S9 2UA - United Kingdom
sales@neilson-hydraulics.co.uk

Your hydraulic **PEOPLE**

Get in touch with Parmafluid group! We are waiting for you!



Your hydraulic PEOPLE

PF PARMALUID
FLUID POWER SYSTEMS



Parmafluid S.r.l.



Via Romeo Azzoni 9/A
43122 Parma - Italy



Tel. +39 0521 480711
Fax: +39 0521 480750



info@parmafluid.it
www.parmafluid.it

