

SANGANG

三港电器



SANGANG

浙江三港起重电器有限公司

ZHEJIANG SANGANG CRANE ELECTRIC CO.,LTD.

地址：浙江省三门县滨海新城永盛路 8 号

Add : 8# Yongsheng Road, Binhai New town, Sanmen, Zhejiang.

Tel : 0576-83382584 83351555

Fax : 0576-83351558

E-mail: sgqz@sgqz.com.cn

Http://: www.sgqz.com.cn

三港奔腾

活力无限

SANGANG
www.sgqz.com.cn



变革创新是引领三港前进的旗帜，是推动三港持续发展的不竭动力。

Is the lead San'gang on flags, is to promote San'gang inexhaustible driving force for continuous development.



公司简介 COMPANY PROFILE

浙江三港起重电器有限公司成立于2000年，是集科研、设计、制造、服务于一体的国家高新技术企业。公司注册资金3800万元，占地面积38000m²，建筑面积45000m²，现有员工260余人。

公司秉承“诚信、务实、创新、高效”的企业精神，坚持“以质量拓市场、向管理要效益、凭诚信赢客户、靠创新求发展”的经营理念，开发的主要产品有主令控制器、联动控制台、低压控制柜（屏）、司机室、电气房及中心集电器、电阻器等。

公司通过了ISO9001:2008质量管理体系认证，主导产品主令控制器、低压成套开关柜在同行业中率先通过国家强制性产品3C认证，产品与太原重工、大连华锐重工、徐工集团、三一重工、卫华集团等大型重点骨干企业配套，广泛应用于港口码头、铁路水运、建筑行业、矿山冶金、电力能源、航空航天及制造企业等，成功运用在宝钢宝山和湛江等基地、杭州湾跨海大桥、三门核电站等国家大型基础设施、重点工程，并远销中东、东南亚等地，在国内外享有较高的知名度。

公司建立了完整的企院、企校技术合作体系，先后与北京起重运输机械研究设计院、武汉理工大学、武汉科技大学等国家级重点专业科研院所、高等学府建立长远战略合作伙伴关系。2010年公司成为国家高新技术企业。2012年公司主导产品三港（SANGANG）牌主令控制器被评为浙江名牌产品。2013年公司创建了省级高新技术企业研究开发中心。公司拥有12项国家技术专利，是起重机司机室国家标准起草单位，是起重机电气设备国家标准参与制定单位。

十几年风雨兼程，成就着三港基业。

三港人携手同行、务实创新，在合力引领起重电器发展进步、聚力铸造坚实“三港”品牌中前行！

ZHEJIANG SAN GANG CRANE ELECTRIC CO.,LTD. founded in 2000, is a collection of scientific research, design, manufacturing, services in one of the national high and new technology enterprise. The company registered capital of 38 million yuan, covers an area of 38000 m², building area of 45000 m², the existing staff of more than 260 people.

Companies adhering to the "integrity, pragmatic, innovative and efficient" spirit of enterprise, adhere to the "exploiting market with quality, to the management to benefit, in good faith to win customers, seek development by innovation" business philosophy, the development of the main products are the main controller, the linkage control console, low voltage control cabinet (screen), the driver room, electrical room and center collector, resistor, etc.

The company passed the ISO9001:2008 quality management system certification, the main products the main controller, low-voltage switchgear in the industry took the lead through the national compulsory 3c certification, product sinovel and taiyuan heavy industry, dalian heavy industry, xugong group, sany, wei hua group and other large key leading enterprise, widely used in ports, railway transportation, construction, mining, metallurgy, electric power energy, aerospace and manufacturing, etc., used successfully in baosteel baoshan and zhanjiang base, hangzhou bay bridge, three nuclear power plants, and other countries large-scale infrastructure and key projects, and exported to the Middle East, southeast Asia and other places, has enjoyed a high reputation in home and abroad.

Company established a complete system of enterprise, enterprise school and technical cooperation, research and design institute successively with the Beijing hoisting and conveying machinery, wuhan university of technology, wuhan university of science and technology, such as national key scientific research institutes and universities to establish long-term strategic cooperative partnership. In 2010 the company became a national high and new technology enterprise. In 2012, the company leading product San'gang (SANGANG) card master controller are rated as brand-name products in Zhejiang province. In 2013 the company created a provincial high-tech enterprise research and development center. The company has 12 national patents, is the crane cab national standards drafting unit, is a unit of crane electrical equipment for national standards in the development.

More than ten years of trials and hardships, the San'gang inheritance of success.

San'gang people hand in hand with their peers, pragmatic innovation, the resultant force lifting appliances development progress, the cohesion casting solid in his "San'gang" brand!

企业产线

ENTERPRISE PRODUCTION LINE



先进的加工设备是产品质量的保证
Advanced processing equipment is the guarantee of product quality



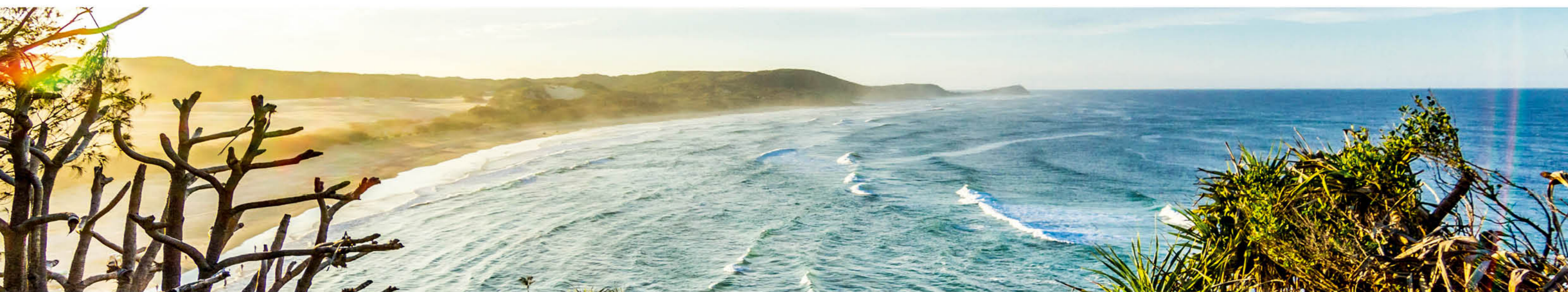
企业重视人才的引进与培养，注重内部管理，强化质量意识，在借鉴、学习国内外先进管理方法经营理念的基础上，建立了“以人为本”的现代化科学规范的管理机制。企业坚持以文化为依托，以活动为载体，营造高凝聚力的专业团队，将三港起重电器凝聚成永恒的品牌。三港企业积极建立和谐的员工关系，并尊重个人的兴趣和成就，协同合作，培养全体成员的向心力，凝聚力，个体利益和整体利益的统一，明确的协作意愿和协作方式则产生了真正的内心动力，并进而保证组织的高效率运转。

Enterprise introduction and cultivation of talent, focus on internal management, strengthen the sense of quality, In the drawing, learning advanced management methods based on the philosophy, Establish a "people-oriented" modern scientific and standardized management. Enterprises adhere to the culture as the basis, to activities as the carrier, Create a high cohesive team of professionals will be condensed into San'gang lifting appliances timeless brand. San'gang enterprises to actively build a harmonious staff relations, and respect for the individual's interests and achievements, collaboration, Train all members of the centripetal force, cohesion, individual interests and the overall interests of unity, Clear willingness to collaborate and collaborative approach will produce a real inner power, And thus to ensure the efficient functioning of the organization.



发展历程

DEVELOPMENT HISTORY





公司坚持以人为本，以文化为依托以活动为载体，积极倡导“出色地工作，精彩地生活”这一人生态度，落实“活力无限”的三港精神，营造三港文化，建立和谐的员工关系，凝聚成企业永恒的品牌。

Companies adhere to the people-oriented, based on cultural activities as the carrier, actively advocate "well, wonderful life" this attitude, the implementation of the "vitality" San'gang spirit, build San'gang culture, to establish a harmonious employee relations, condensed into enterprise brand of the eternal.



三港奔腾 活力无限
SANGANG GALLOPING
VITALITY TOUGHNESS



企业荣誉

ENTERPRISE HONOR



质量赢得顾客 信誉创造效益

QUALITY WIN CUSTOMERS CREDIT CREATION BENEFITS



目录 CONTENTS



主令控制器系列

SGK3.....	3
SGK4.....	4
SGK5.....	5

联动控制台系列



QTA1.....	7
QTA2.....	7
QTA3.....	8
QTA4.....	8
QTA5.....	9
QTA9.....	9
QTB1.....	11
QTC2.....	13
QTC3.....	13

司机室系列



塔机司机室 / TOWER CRANE CABIN SERIES	
SGT4.....	15
SGT5.....	15
SGT8.....	16
SGT9.....	17
SGT10.....	18
SGT11.....	19

桥机司机室 / BRIDGE CRANE CABIN SERIES

SGQ1.....	20
SGQ4.....	21
冶金司机室 / METALLURGICAL BRIDGE CRANE CABIN	
SGY5.....	22
SGY8.....	23

港机司机室 / PORT CRANE CABIN

SGG2.....	24
SGG4.....	25

升降机司机室 / ELEVATOR CABIN

SGS.....	26
----------	----

葫双司机室 / ELECTRIC HOIST CRANE CABIN

SGH.....	27
----------	----

电气房 / ELECTRICAL ROOM

SGF/D.....	28
SGF/G.....	28
SGF/Y.....	29
SGF/L.....	29



成套控制系统

塔机控制柜 (变频)

Tower Crane Control Cabinet (Frequency Converting Control)	30
--	----

起重机成套控制系统 (变频带PLC)

Crane Electrical Control System (Frequency Converting Control & PLC) ..	31
---	----



»» 适用范围 Scope of Application

SGK 系列主令控制器主要用于交流 50Hz (60Hz) , 额定电压 380v (440v) , 额定电流 AC 2.6A, DC 0.3A 及以下的控制电路中, 控制起重运输机械的电机启动、调速、制动、换向和其它特殊功能。针对不同的使用工况要求, 产品可实现双机构联动/ 单动。SGK 系列主令控制器目前已广泛应用于港口、水运、铁路、冶金、矿山、电力、建筑、制造业中各类型机械设备。

SGK series master controller is mainly used in AC 50Hz (60Hz) control circuits with a rated voltage of 380v (440v) and rated current of AC2.6A and DC0.3A or smaller, controlling the start, speed regulation, braking and reversing of motors for hoisting and conveying machineries and other special functions. According to different operation conditions, this product can perform double-mechanism linkage/single action SGK series master controller has been widely used in various machinery equipment for harbors, water transport, railway, metallurgy, mining, electrical power, construction and manufacturing industries.

»» 结构特点 Structural Features

SGK 系列主令控制器结合国外先进技术, 采用模块化组合新工艺, 标准化程度高, 手感明确, 档位清晰, 有零位自复和锁定装置, 接线、安装、维修便利, 各机构均可加装电位器、编码器等辅助元器件。

Integrated with international advanced technology, SGK series master controller adopts the newly developed modular combination with high standardization level, definite hand feeling, clear gear shift, zero-position resetting and locking device, providing convenience for wiring, installation and maintenance. Each mechanism can be provided with auxiliary elements and components such as potential device and encoder etc.

»» 执行标准 Carried Standards

GB14048.1-2000 《机电式接触器和电动机起动器》	Electromechanical Contactors and Motor Starters
GB14048.5-2008 《控制电路和开关元件机电式控制电路电器》	Control Circuit and Switching Element-Electromechanical Control Circuit Devices
GB/T5226.1-1996《工业机械电气设备第一部分:通用技术条件》	Industrial Machinery & Electrical Equipment-Part I: General Specification

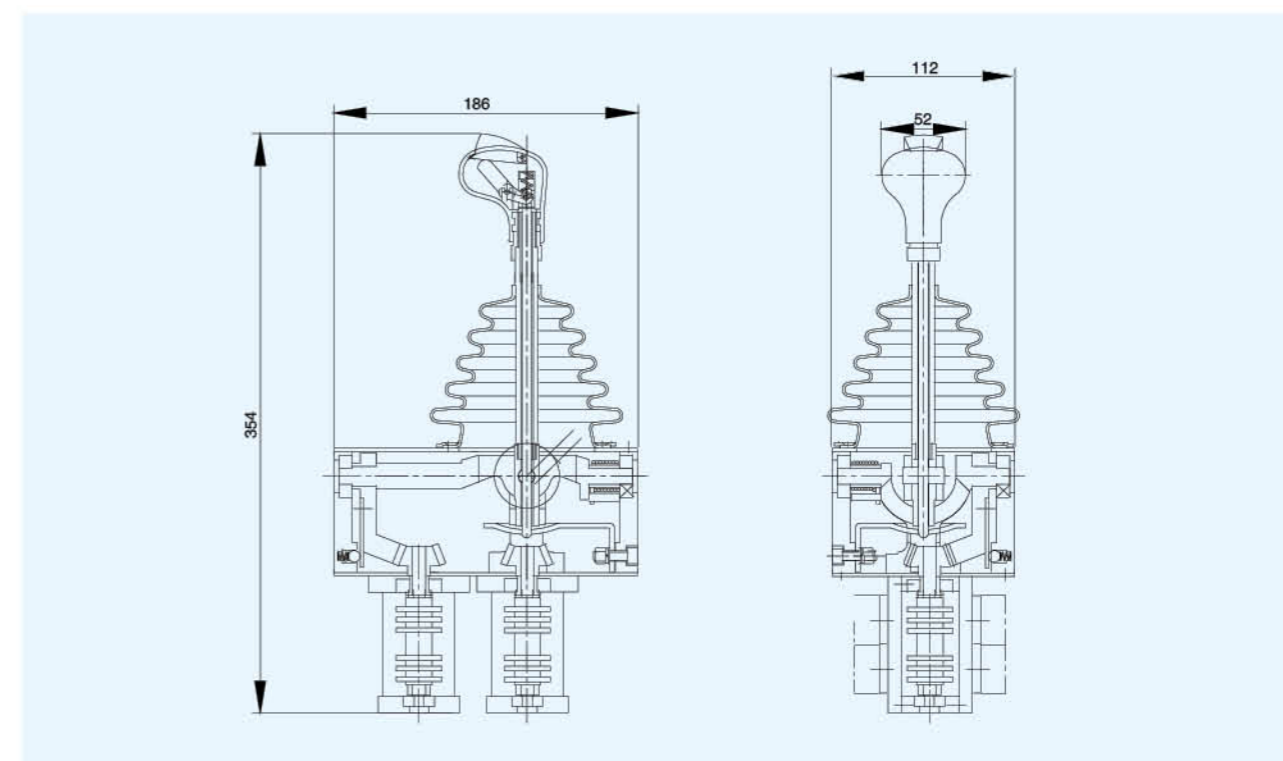
»» 技术参数 Main Technical Parameters

环境温度 Ambient temperature	工作温度: -40-50°C Operating temperature:	最多操作方向 Maximum operational directions	8	
手柄操作力 Force in operation of handle	≤ 20N	可控制机构数量 Number of mechanisms that can be controlled	2	
机械寿命 Mechanical life	每个运动方向 160 万次 1.6 million times in each traveling direction	每个方向最大档位 Maximum gear shift in each direction	5	
重量 / 台 Weight/set		运动方式 Movement mode	档位清楚自动回零 Clear gear shift and auto zero resetting	
触点 Contact	电源 Power supply	交流 AC	每机构最多触点数 Maximum number of contacts for each mechanism	11
	额定电流 Rated current	10A	手柄 Handle	带机械锁零装置 With mechanical lock zero position device
特性 Characteristics	额定电压 Rated voltage	380V(440V)	每台主令可加装电位器 A potential device can be mounted for each master controller	2
	电寿命 Electrical durability	100 万次 1 million times	额定操作频率 Rated operation frequency	1200 次 /h 1200 times/h

»» SGK3



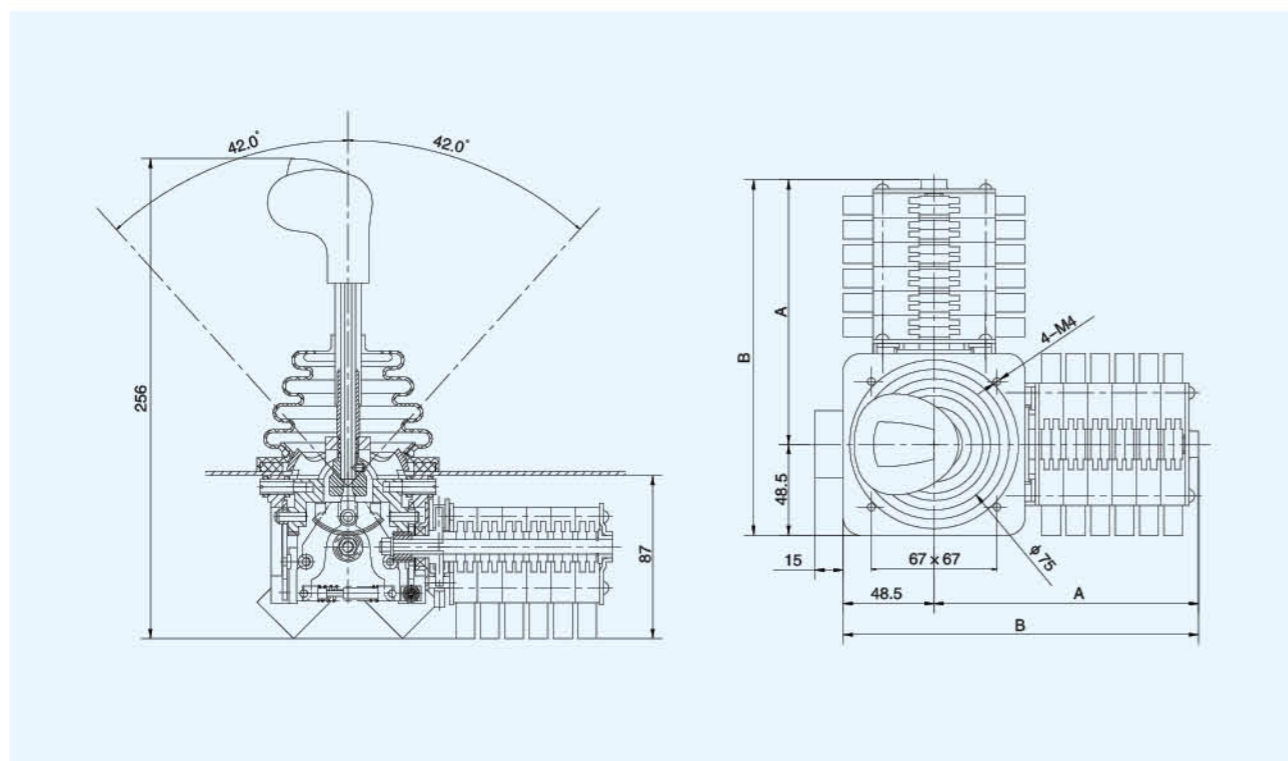
»» 外形及安装尺寸



»» SGK4



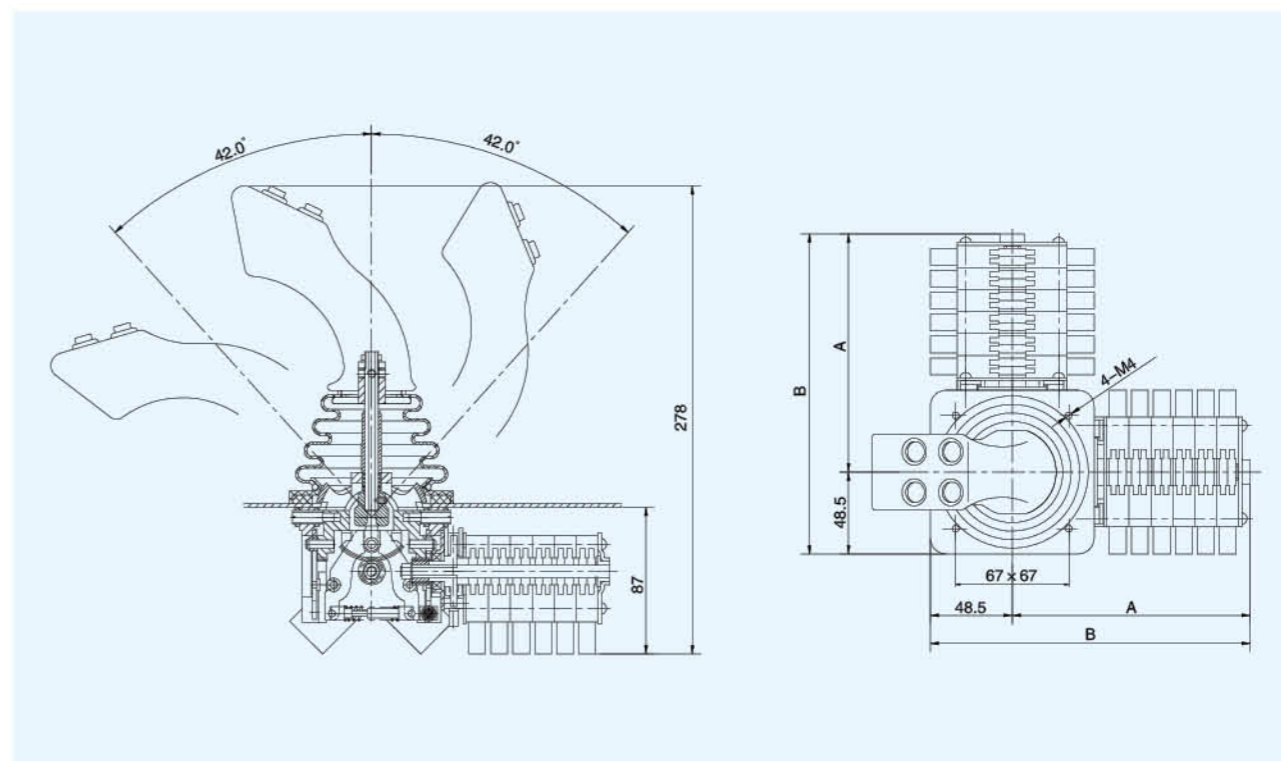
»» 外形及安装尺寸



»» SGK5



»» 外形及安装尺寸



»» 适用范围 Scope of Application

QTA 型系列联动控制台, 主要用于交流 50Hz (60Hz), 额定电压 380v (440v), 额定电流 AC 2.6A, DC 0.3A 及以下的控制电路中, 控制起重运输机械的电机启动、调速、制动、换向和其它特殊功能。针对不同的使用工况要求, 产品可实现双机构联动/单动。SGK 系列主令控制器目前已广泛应用于港口、水运、铁路、冶金、矿山、电力、建筑、制造业中各类型机械设备。

QTA series linkage console is mainly used in AC 50Hz (60Hz) control circuits with a rated voltage of 380v (440v) and rated current of AC2.6A and DC0.3A or smaller, controlling the start, speed regulation, braking and reversing of motors for hoisting and conveying machineries and other special functions. According to different operation conditions, this product can perform double-mechanism linkage/single action. SGK series master controller has been widely used in various machinery equipment for harbors, water transport, railway metallurgy, mining, electrical power, construction and manufacturing industries.

»» 结构特点 Structural Features

QTA 系列联动台分整体式与分体式两种安装模式, 分别采用 ABS 工程塑料注塑成形与优质钢板模压拉伸成形, 造型美观大方, 结构紧凑, 配有 SGK 系列主令控制器, 手感明确, 档位清晰, 有零位自复和锁定装置, 采用模块化组合新工艺, 标准化程度高, 接线、安装、维修便利, 各机构均可加装电位器、编码器等辅助原器件, 面板可根据需要设置各种指示灯和控制按钮, 工作安全可靠, 适用范围广, 通用性强, 使用寿命长, 可广泛用于各种类型起重运输设备。

QTA series linkage consoles installed in integral and split ways are injection-molded of ABS engineering plastic and stretch-formed of high quality steel plated respectively. This console with shapely and decent appearance and compact structure is equipped with SGK series master controller which adopts the newly developed modular combination with high standardization level, definite hand feeling, clear gear shift, zero-position resetting and locking device and provides convenience for wiring, installation and maintenance. Each mechanism can be provided with auxiliary elements and components such as potential device and encoder etc. The panel can be provided with various indicator lamps and control buttons as required. The console with high safety and reliability, wide range of application, strong versatility and long service life can be widely used for various types of hoisting and conveying equipment.

»» 执行标准 Carried Standards

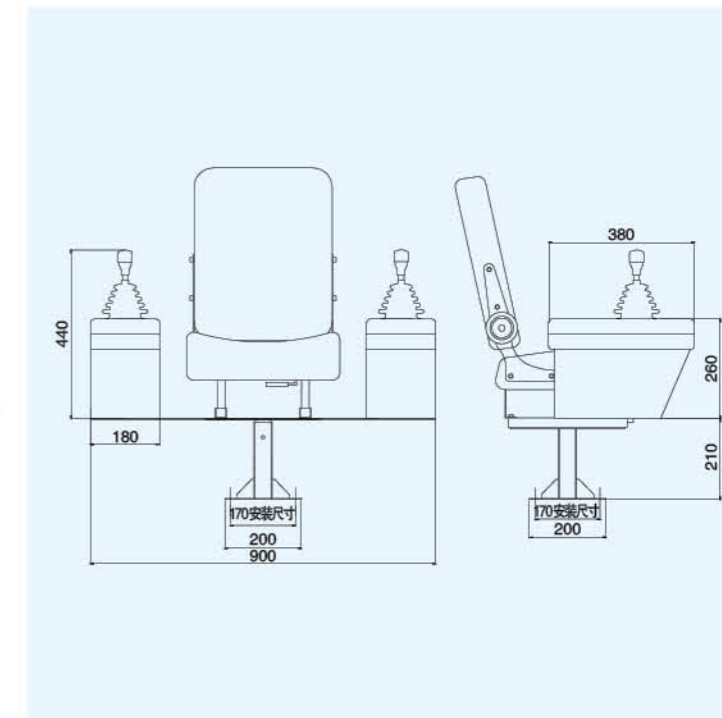
GB14048.1-2000 《机电式接触器和电动机起动器》	Electromechanical Contactors and Motor Starters
GB14048.5-2008 《控制电路和开关元件——塑壳式控制电路电器》	Control Circuit and Switching Element-Electromechanical Control Circuit Devices
GB/T5226.1-1996 《工业机械电气设备第一部分：通用技术条件》	Industrial Machinery & Electrical Equipment - Part I: General Specification
JB/T6748-1993 《起重机控制台》	Crane Control Station

»» 技术参数 Main Technical Parameters

环境温度 Ambient temperature	工作温度: -40~50°C Operating temperature:	最多操作方向 Maximum operational directions	8	
手柄操作力 Force in operation of handle	≤ 20N	可控制机构数量 Number of mechanisms that can be controlled	2	
机械寿命 Mechanical life	每个运动方向 160 万次 1.6 million times in each traveling direction	每个方向最大档位 Maximum gear shift in each direction	5	
重量 / 台 Weight/set		运动方式 Movement mode	档位清楚自动回零 Clear gear shift and auto zero resetting	
触点 Contact	电源 Power supply	交流 AC	每机构最多触点数 Maximum number of contacts for each mechanism	11
	额定电流 Rated current	10A	手柄 Handle	带机械锁零装置 With mechanical lock zero position device
特性 Characteristics	额定电压 Rated voltage	380V(440V)	每台主令可加装电位器 A potential device can be mounted for each master controller	2
	电寿命 Electrical durability	100 万次 1 million times	额定操作频率 Rated operation frequency	1200 次/h 1200 times/h

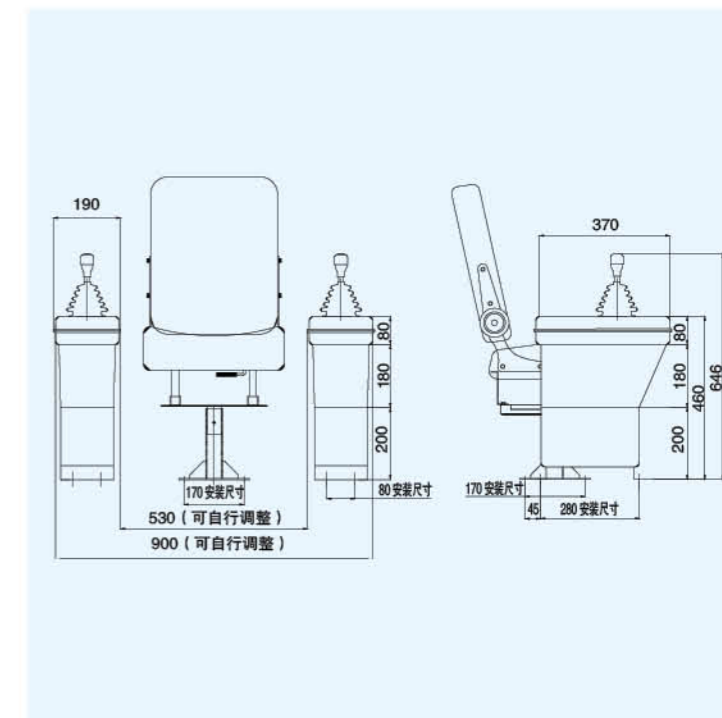
»» QTA1

外形及安装尺寸



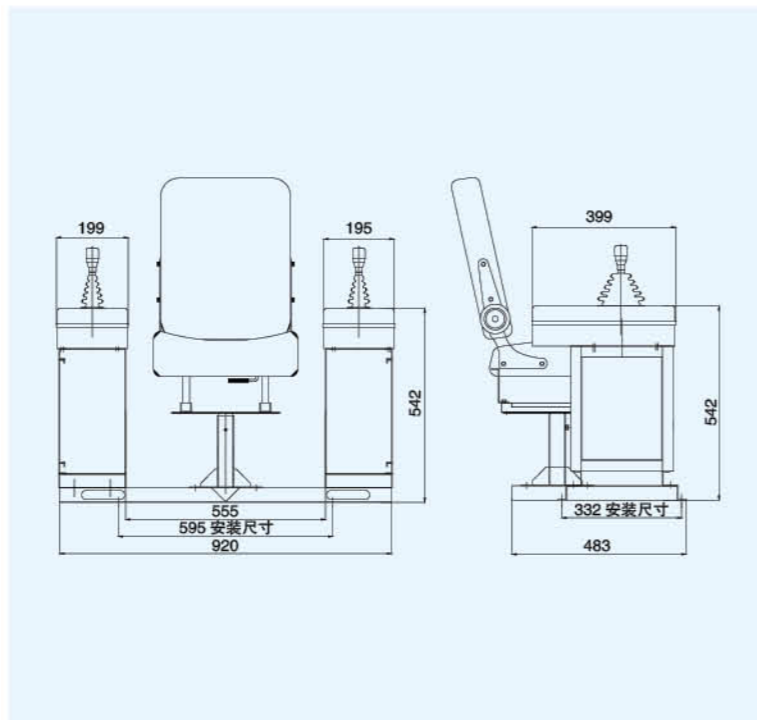
»» QTA2

外形及安装尺寸



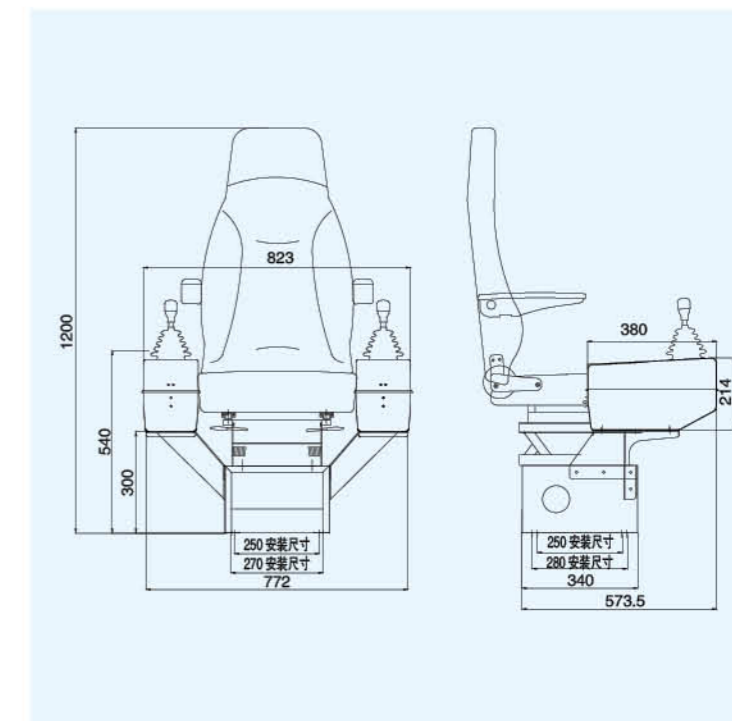
»» QTA3

外形及安装尺寸



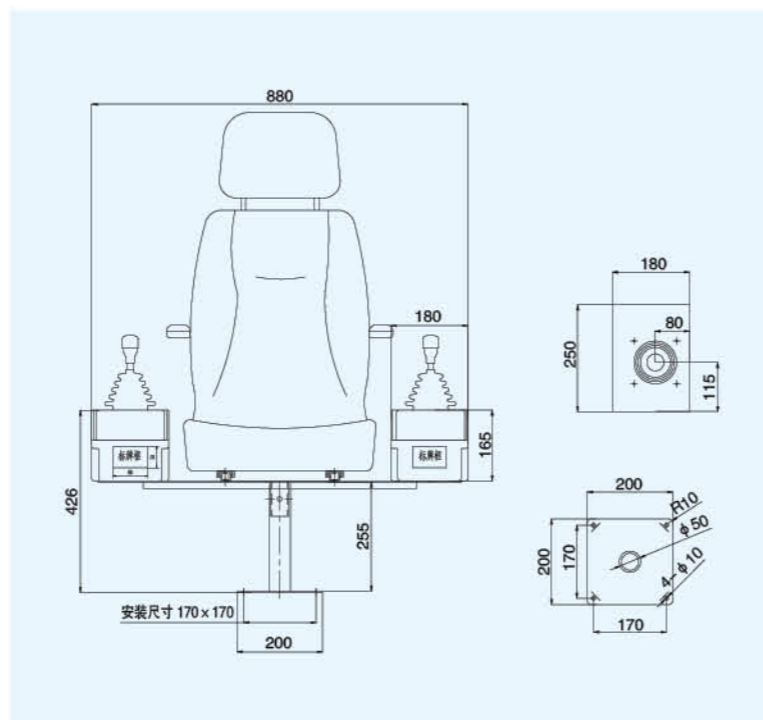
»» QTA5

外形及安装尺寸



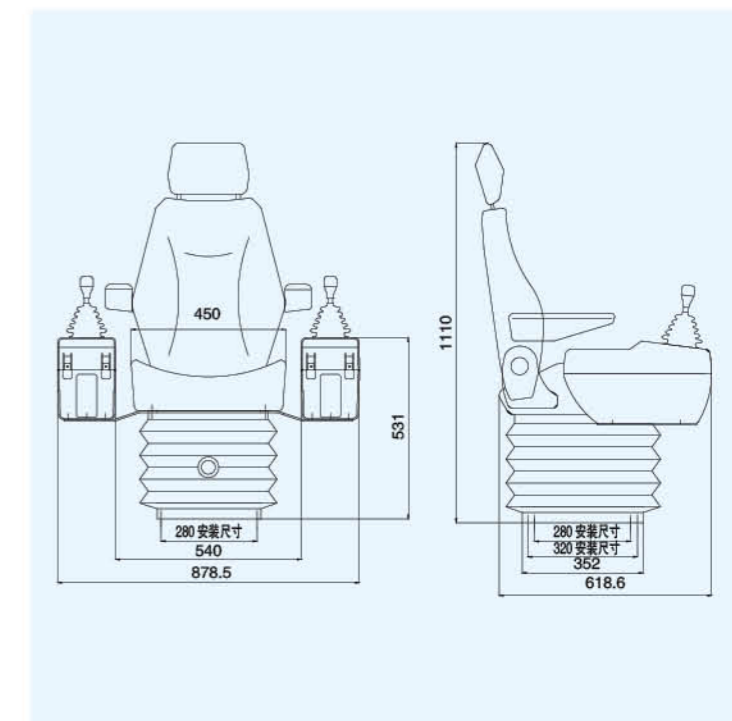
»» QTA4

外形及安装尺寸



»» QTA9

外形及安装尺寸



»» 适用范围 Scope of Application

QTB 型系列联动控制台, 主要用于交流 50z (60Hz), 额定电压 380v (440v) 以下的电器控制电路中作转换控制用, 广泛应用于中、小型起重机械用来直接控制电机的启动、调速、制动和换向。

QTB series linkage console is mainly used in AC 50Hz (60Hz) electrical control circuits with a rated voltage of 380v (440v) or below and widely used for direct control of start, speed regulation, braking and reversing of motor for medium and small hoisting machineries.

»» 结构特点 Structural Features

QTB 系列联动台分整体式与分体式两种安装模式, 外壳采用优质钢板模压拉伸成形, 造型美观大方, 结构紧凑, 设有机械零位自锁装置, 联动台统一配置通用 KTJ6 触点总成, 使该产品通用性强, 适用面广, 目前广泛应用于中、小型桥式起重机。

QTB series integral/split linkage console provided with enclosure formed of high quality steel plate through mold pressing and stretching with shapely and decent appearance and compact structure is equipped with zero position self-locking mechanical device and with general purpose KTJ6 contactor assembly which contributes to strong versatility and wide scope of application of this product. This console is presently widely used for medium and small bridge cranes.

»» 执行标准 Carried Standards

- GB14048.1-2000 《机电式接触器和电动机起动器》 Electromechanical Contactors and Motor Starters
- GB14048.5-2008 《控制电路和开关元件——第一部分, 电式控制电路电器》 Control Circuit and Switching Element-Electromechanical Control Circuit Devices
- GB/T5226.1-1996 《工业机械电气设备第一部分: 通用技术条件》 Industrial Machinery & Electrical Equipment - Part I: General Specification
- JB/T6748-1993 《起重机控制台》 Crane Control Station

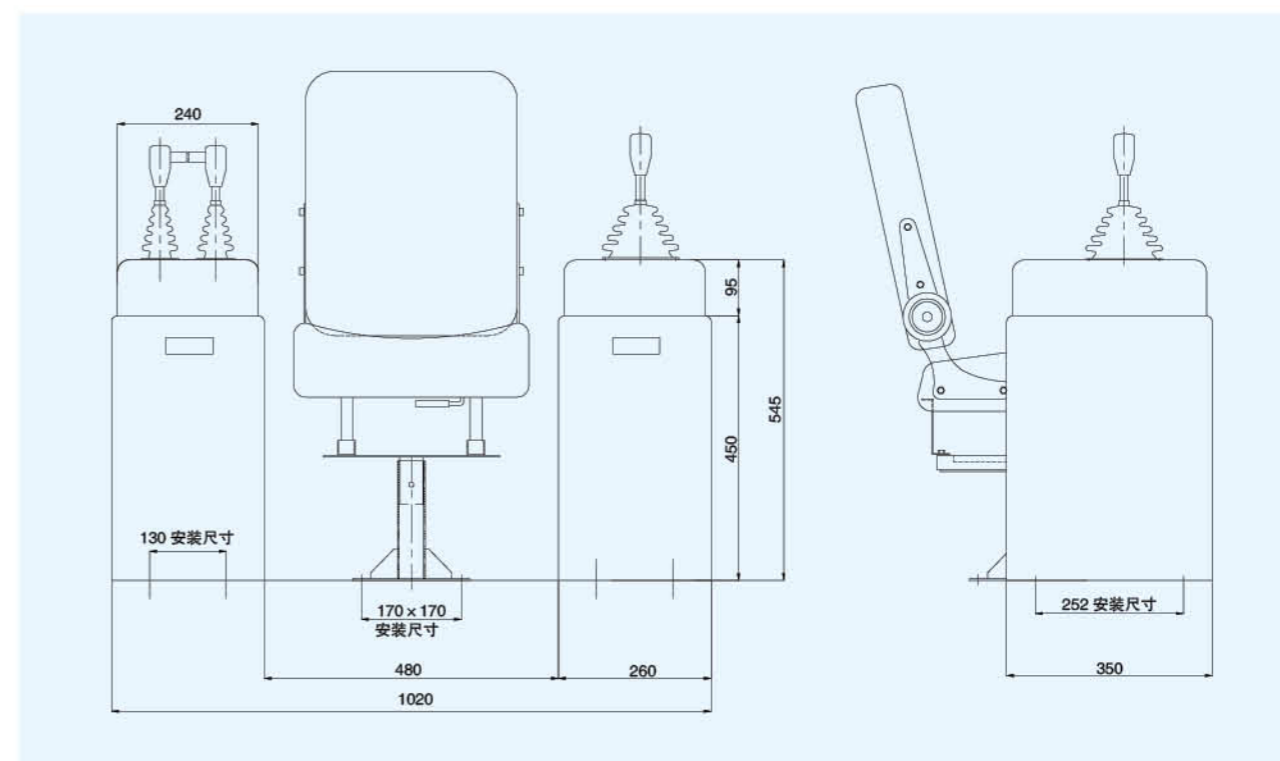
»» 技术参数 Main Technical Parameters

环境温度 Ambient temperature	工作温度 -40-50°C Operating temperature:	最多操作方向 Maximum operational directions	8
手柄操作力 Force in operation of handle	≤ 20N	可控制机构数量 Number of mechanisms that can be controlled	2
机械寿命 Mechanical life	每个运动方向 160 万次 1.6 million times in each traveling direction	每个方向最大档位 Maximum gear shift in each direction	6
运动方式 Movement mode	档位清楚, 无自动回零功能 Clear gear shift without auto zero resetting function		
触点 Contact 特性 Characteristics	电源 Power supply	交流 AC	每机构最多触点数 Maximum number of contacts for each mechanism
	额定电流 Rated current	10A, 32A, 63A, 100A	手柄 Handle
	额定电压 Rated voltage	380V(440V)	带机械锁零装置 With mechanical lock zero position device
	电寿命 Electrical durability	20 万次 200,000 times	额定操作频率 Rated operation frequency
			600 次/h 600 times/h

»» QTB1



»» 外形及安装尺寸



»» 适用范围 Scope of Application

QTC 型系列联动控制台, 主要用于交流 50Hz (60Hz), 额定电压 380v (440v), 额定电流 AC 2.6A, DC 0.3A 及以下的控制电路中, 控制起重运输机械的电机启动、调速、制动、换向和其它特殊功能。针对不同的使用工况要求, 产品可实现双机构联动/ 单动。SGK 系列主令控制器目前已广泛应用于港口、水运、铁路、冶金、矿山、电力、建筑、制造业中各类型机械设备。

QTC series linkage console is mainly used in AC 50Hz (60Hz) control circuits with a rated voltage of 380v (440v) and rated current of AC 2.6A and DC 0.3A or smaller, controlling the start, speed regulation, braking and reversing of motors for hoisting and conveying machineries and other special functions. According to different operation conditions, this product can perform double-mechanism linkage/single action. SGK series master controller has been widely used in various machinery equipment for harbors, water transport, railway, metallurgy mining, electrical power, construction and manufacturing industries.

»» 结构特点 Structural Features

QTC 系列联动台为整体式安装模式, 采用优质钢板模压拉伸、折弯、焊接成形。整机可塑性强, 符合人机工程理念, 造型美观大方, 结构紧凑, 舒适实用, 配有 SGK 系列主令控制器, 手感明确, 档位清晰, 有零位自复和锁定装置, 采用模块化组合新工艺, 标准化程度高, 接线、安装、维修便利, 各机构除可加装电位器、编码器辅助元件外, 还可加装 PLC 模块及触摸屏、人机界面, 大大提高使用性能, 工作安全可靠, 适用范围广, 通用性强, 使用寿命长, 可广泛用于各种大型起重运输设备。

QTC series linkage console which is integrally installed is fabricated of high quality steel plate pressing, stretching, bending and welding. This easy-to-use practical equipment with shapely and decent appearance and compact structure is highly flexible and complies with human-machine engineering concept. The console is provided with SGK series master controller which adopts the newly developed modular combination with high standardization level, definite hand feeling, clear gear shift, zero-position resetting and locking device and provides convenience for wiring, installation and maintenance. Each mechanism can be provided with auxiliary elements and components such as potential device and encoder and PLC module, touch screen and human-machine interface which may significantly improve operation performance. This equipment which has high safety and reliability, wide range of application, strong versatility and long service life can be widely used for various large-scale hoisting and conveying equipment.

»» 执行标准 Carried Standards

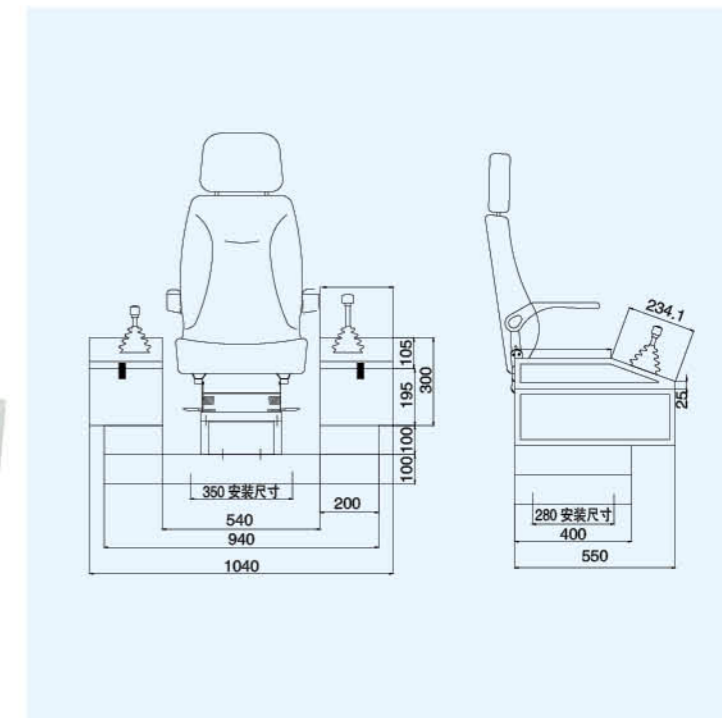
GB14048.1-2000 《机电式接触器和电动机起动器》	Electromechanical Contactors and Motor Starters
GB14048.5-2008 《控制电路和开关元件——第一部分：电式控制电路电器》	Control Circuit and Switching Element-Electromechanical Control Circuit Devices
GB/T5226.1-1996 《工业机械电气设备第一部分：通用技术条件》	Industrial Machinery & Electrical Equipment - Part I: General Specification
JB/T6748-1993 《起重机控制台》	Crane Control Station

»» 技术参数 Main Technical Parameters

环境温度 Ambient temperature	工作温度: -40-50°C Operating temperature:	最多操作方向 Maximum operational directions	8	
手柄操作力 Force in operation of handle	≤ 20N	可控制机构数量 Number of mechanisms that can be controlled	2	
机械寿命 Mechanical life	每个运动方向 160 万次 1.6 million times in each traveling direction	每个方向最大档位 Maximum gear shift in each direction	5	
重量 / 台 Weight/set		运动方式 Movement mode	档位清楚自动回零 Clear gear shift and auto zero resetting	
触点 Contact	电源 Power supply	交流 AC	每机构最多触点数 Maximum number of contacts for each mechanism	11
	额定电流 Rated current	10A	手柄 Handle	带机械锁零装置 With mechanical lock zero position device
特性 Characteristics	额定电压 Rated voltage	380V(440V)	每台主令可加装电位器 A potential device can be mounted for each master controller	2
	电寿命 Electrical durability	100 万次 1 million times	额定操作频率 Rated operation frequency	1200 次 /h 1200 times/h

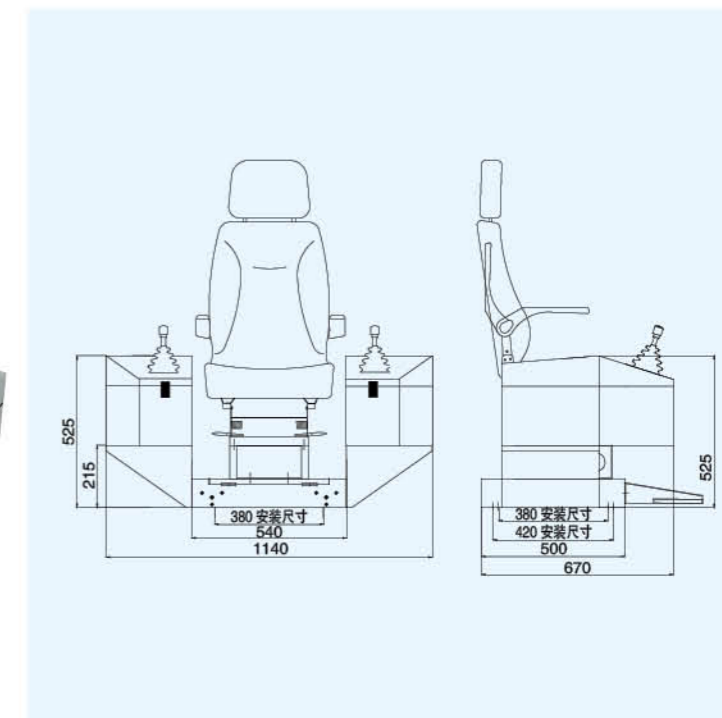
»» QTC2

外形及安装尺寸



»» QTC3

外形及安装尺寸



»» 适用范围 Scope of Application

我公司研制、开发、生产的各种类型司机室符合人机工程原理，具有可靠的安全保护装置和舒适的工作环境，宽阔的视野。采用优质冷轧钢板和先进的制造工艺，使整个司机室外观平整，美观，抗腐蚀。所有门、窗均采用5mm或5+1+5mm钢化安全玻璃，达到密封、抗震、安全标准，广泛适用于全国各大港口码头、工矿企业、交通能源建设及建筑领域的各种类型起重运输工程机械上。

Various operator cabins designed, developed and manufactured by our company comply with human-machine engineering principle and are provided with reliable safety protection device, comfortable working environment and wide field of view. Thanks to the high quality cold rolled steel plate and advanced manufacturing technology, the whole operator cabin has a tidy and shapely appearance and strong resistance to corrosion. All doors and windows are provided with 5mm or 5+1+5mm tempered safety glass that meets sealing, anti-vibration and safety standards. This operation cabin is widely used in various hoisting and conveying engineering machineries for major harbors, industrial & mining enterprises, transportation and energy resource construction and construction industries in China.

»» 结构特点 Structural Features

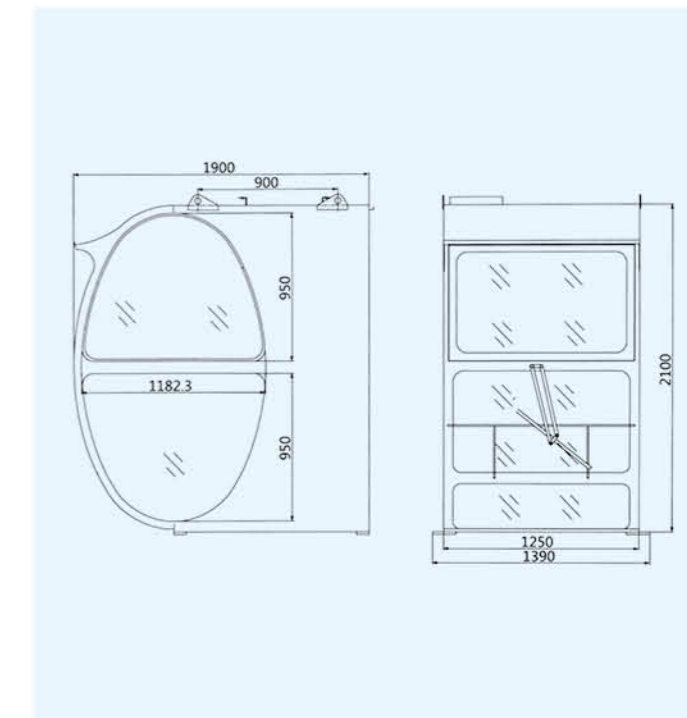
1. 整机采用优质冷轧钢板通过先进的数控机床加工新工艺折弯拼焊成形，外形平整，强度高，可塑性强。
 2. 视窗采用5mm钢化玻璃，视角 $\geq 230^\circ$ ，透明度 $\geq 80\%$ ，并配有下视窗。（根据需要增配后视窗）
 3. 内部装饰全部采用防火阻燃、隔音隔热材料、室内铺设防滑绝缘橡胶地毯。
 4. 外部表面涂装采用聚胺脂油漆或氯化橡胶漆，涂层厚度不低于 $180\mu\text{m}$ 。
 5. 标准配置：照明灯、风扇、电铃（电笛）、灭火器、照明开关箱、门限位。
 6. 可选配置：联动台、脚踏开关、（及其它制动装置）分体式空调、暖风机、冷风机、反光镜、闭门器及窗帘、雨刮器，多功能报警器。
1. The whole equipment is made of high quality cold rolled steel plate through advanced CNC machine manufacturing (including bending and welding), which contributes to tidy appearance, high strength and strong plasticity.
 2. The Window is made of 5mm tempered glass with a view angle $\geq 230^\circ$ and a transparency $\geq 80\%$ and is provided with a lower window. (rear window can be added according to need)
 3. All interiors are made from fire retardant, heat-insulation and sound-proof materials an anti-skid electro-insulating rubber carpet in arranged inside the cabin.
 4. External surface is coated with polyurethane paint or chlorinated rubber paint with thickness of not less than $180\mu\text{m}$.
 5. Standard configuration: lighting lamp, fan electric bell (hooter), fire extinguisher, lighting switch box and door limit.
 6. Optional components: linkage console, foot switch (and other braking devices), split air conditioner, air heater, air cooler, reflector, door closer, curtain, wiper and multi-function alarm.

»» 执行标准 Carried Standards

GB/T20303.2-2006/ISO8566-2:1995 《起重机司机室第2部分：流动式起重机》	Crane Operator Cabin-Part 3: Mobile Crane
GB/T20303.3-2006/ISO8566-3:1992 《起重机司机室第3部分：塔式起重机》	Crane Operator Cabin-Part 3: Tower Crane
GB/T20303.4-2006/ISO8566-4:1998 《起重机司机室第4部分：臂架起重机》	Crane Operator Cabin-Part 4: Jib Crane
GB/T20303.5-2006/ISO8566-5:1992 《起重机司机室第5部分：桥式和门式起重机》	Crane Operator Cabin-Part 5: Bridge and Portal Cranes

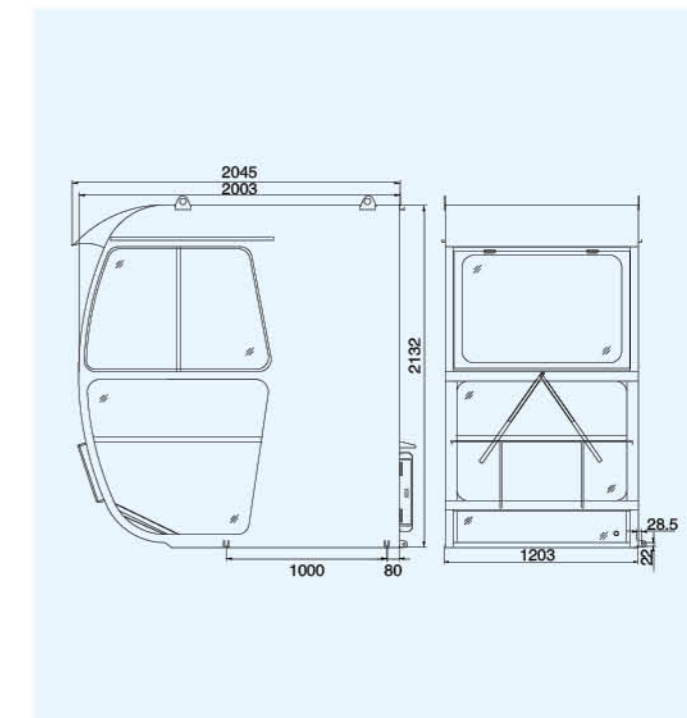
»» SGT4

外形及安装尺寸



»» SGT5

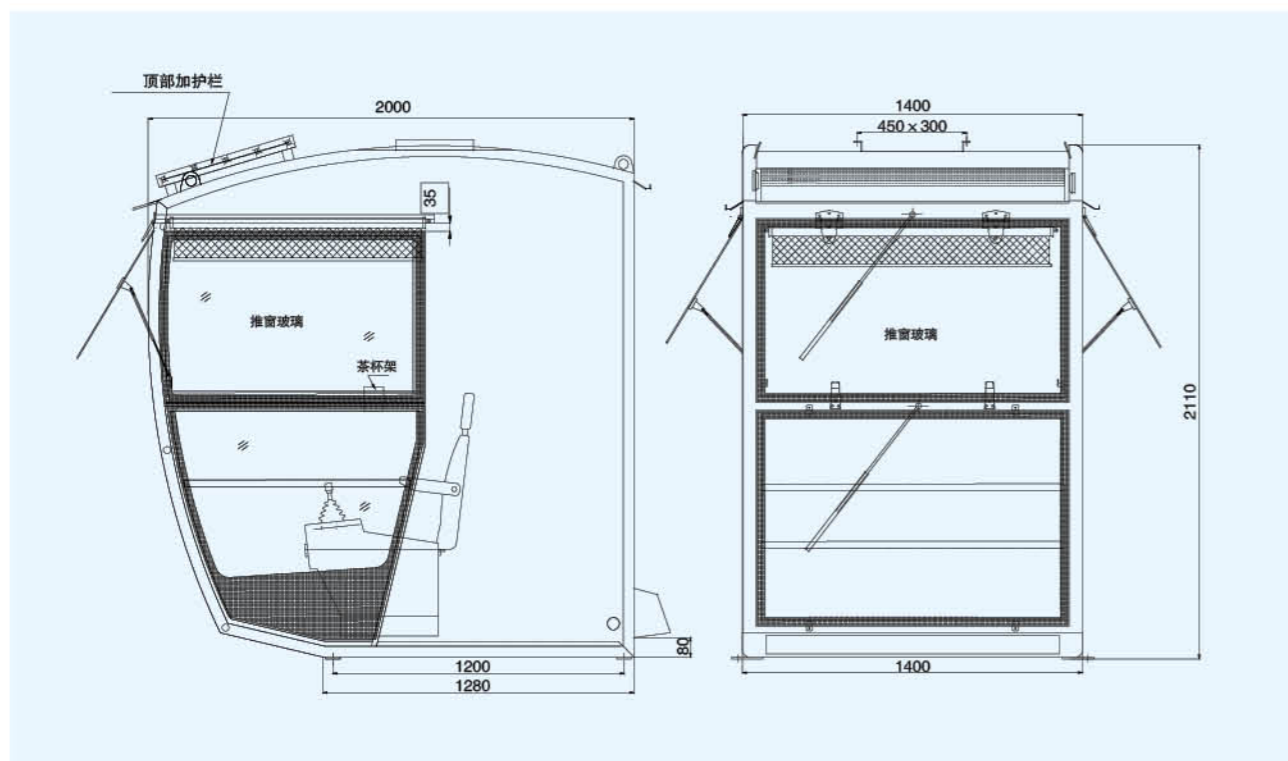
外形及安装尺寸



»» SGT8



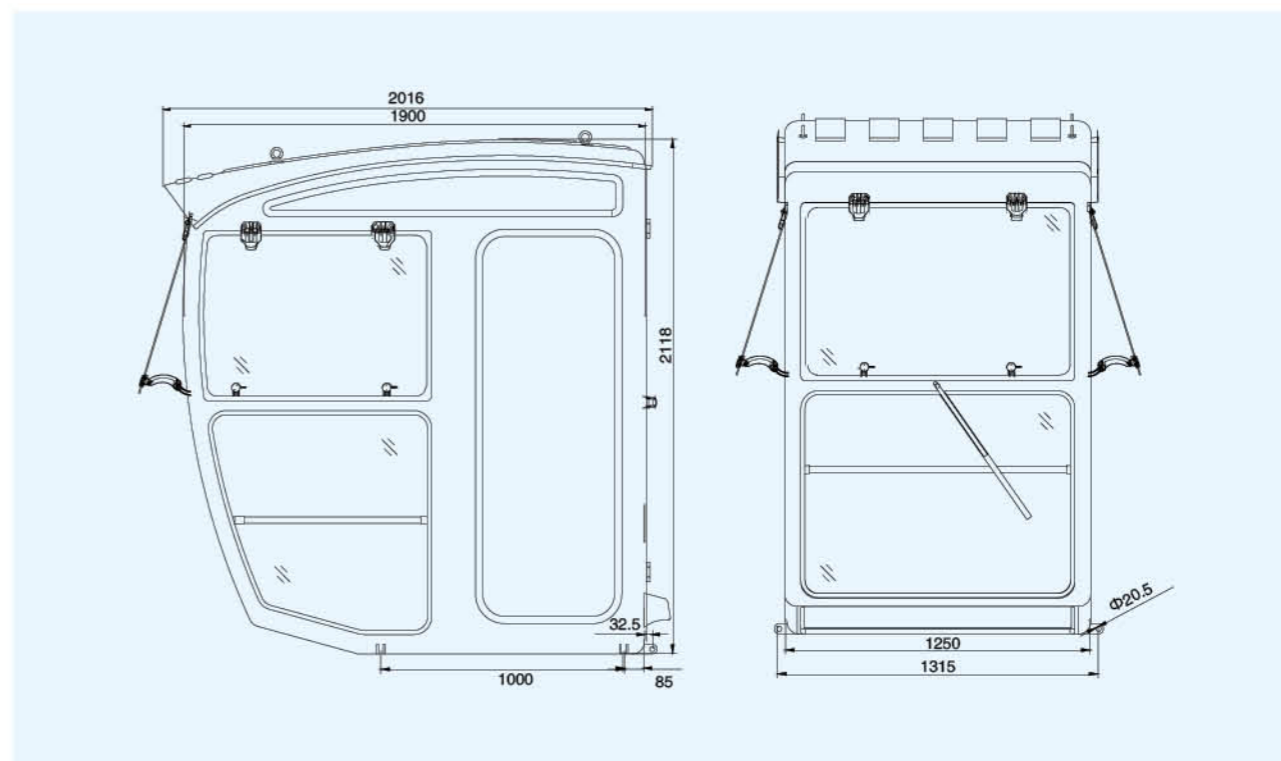
»» 外形及安装尺寸



»» SGT9 (新型模压司机室)



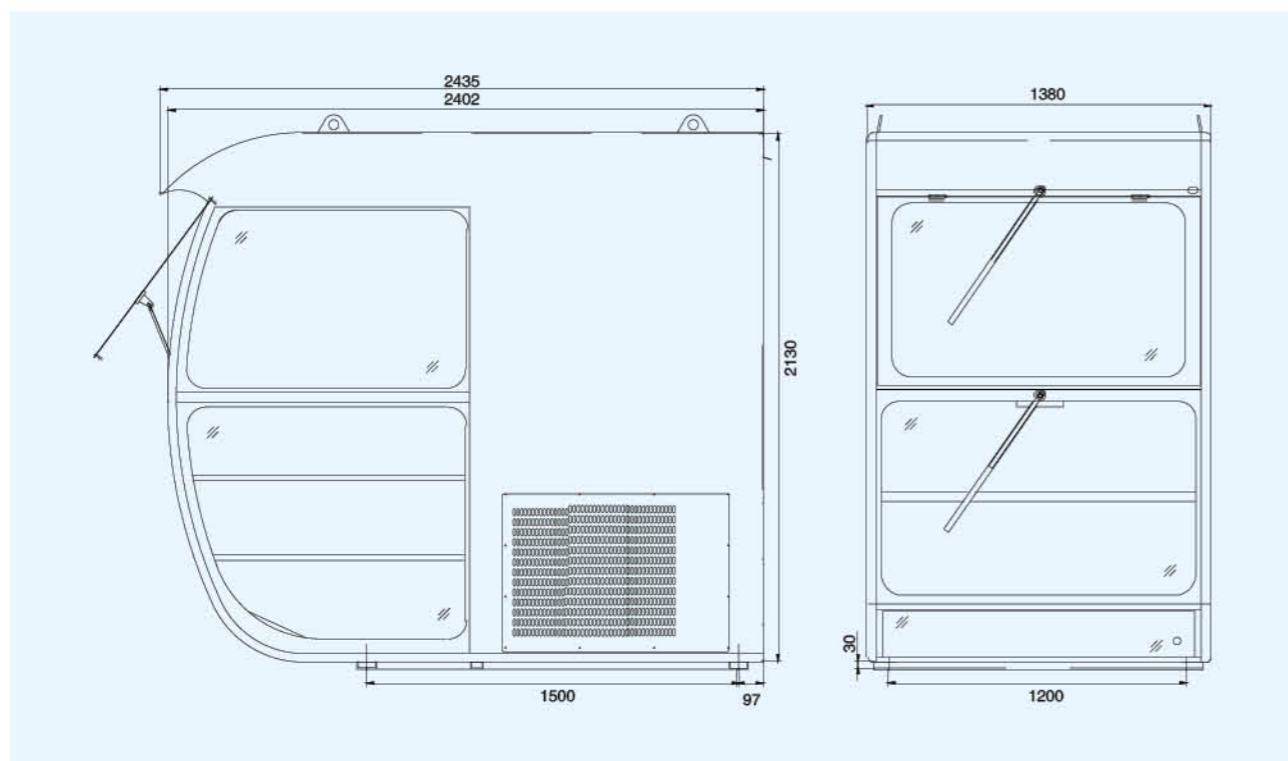
»» 外形及安装尺寸



»» SGT10



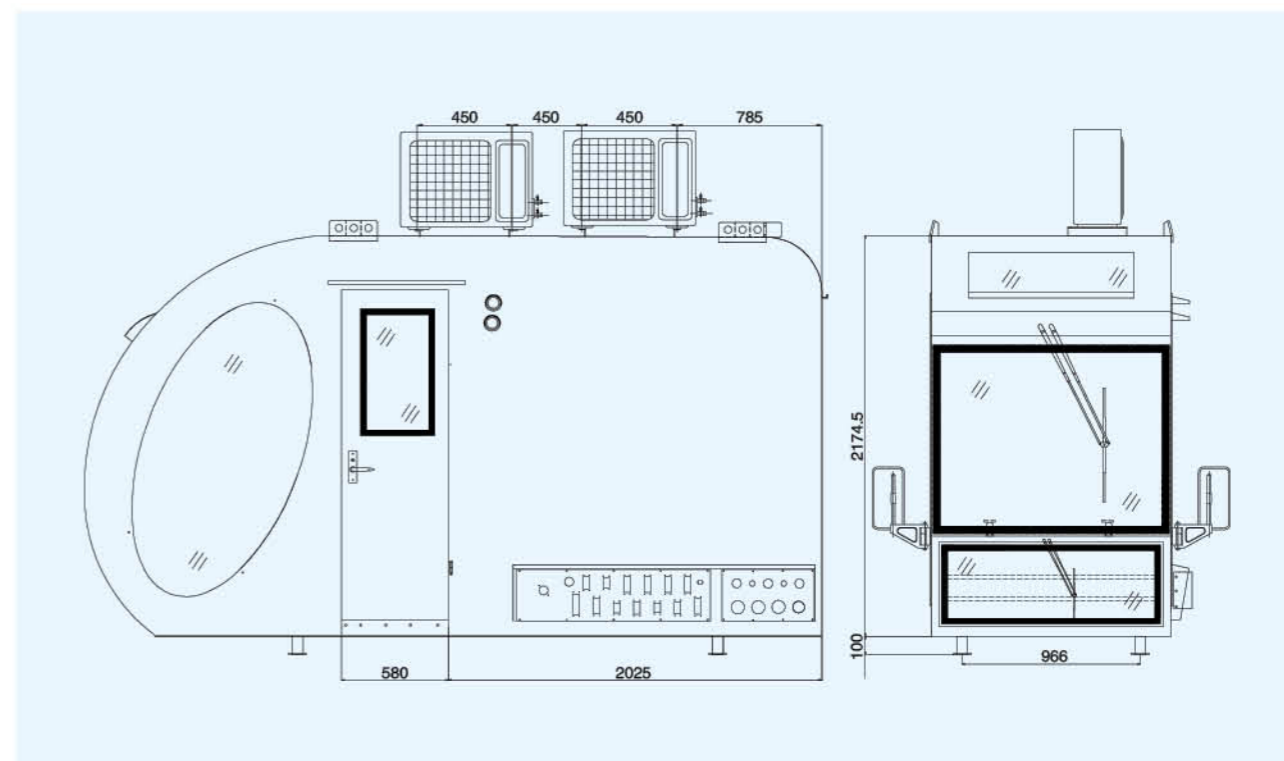
»» 外形及安装尺寸



»» SGT11



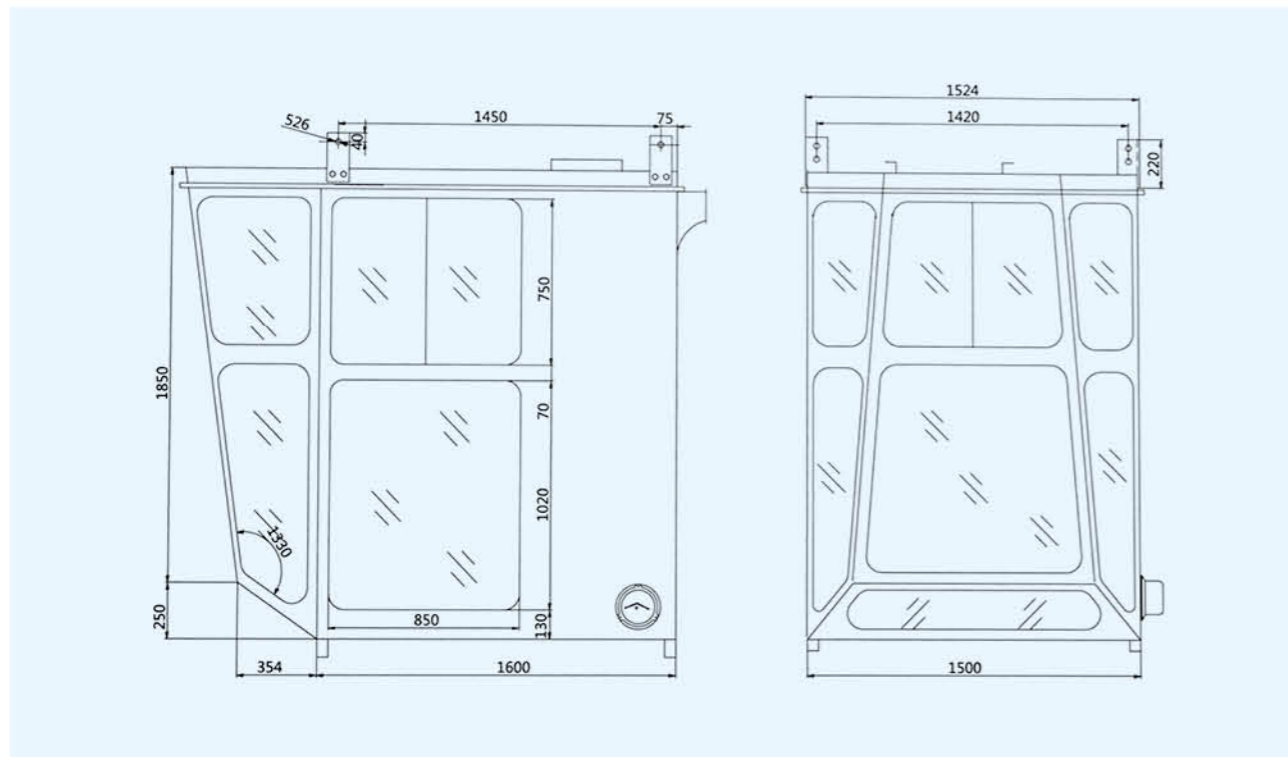
»» 外形及安装尺寸



»» SGQ1



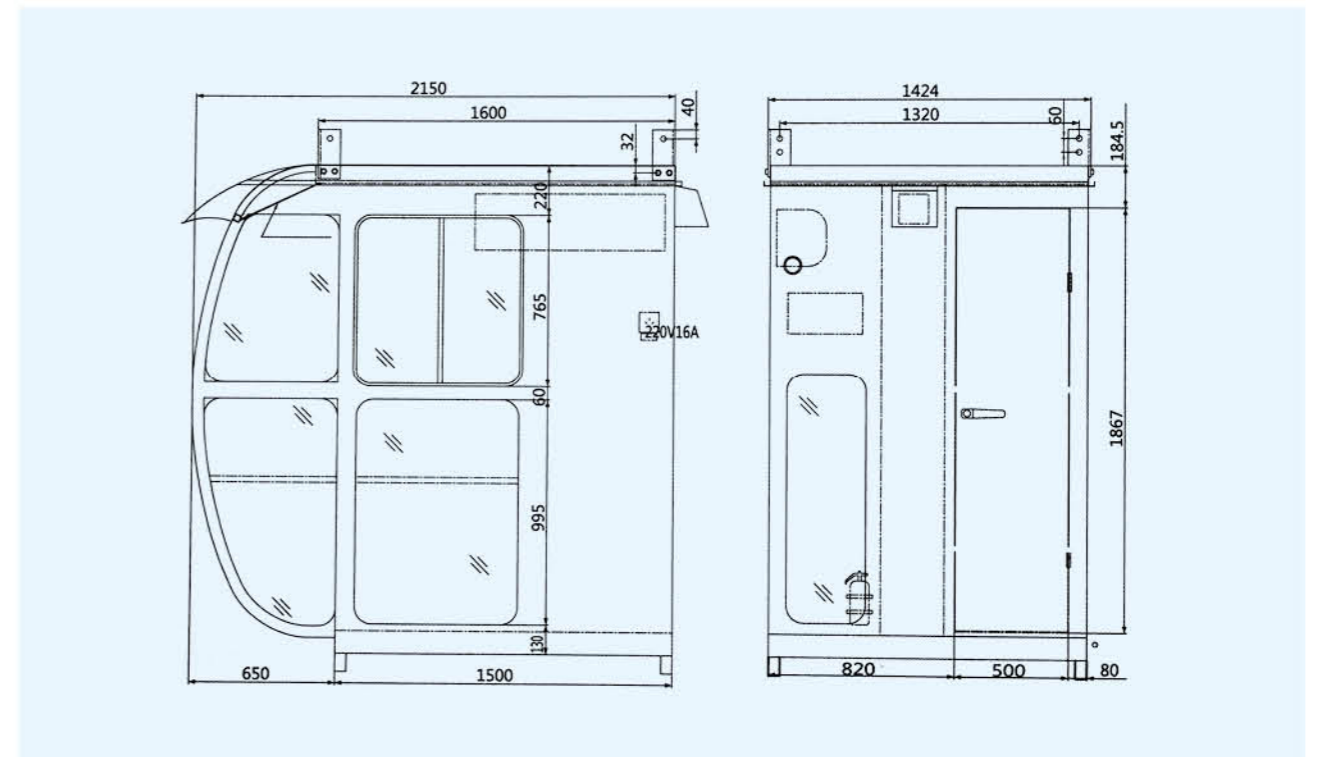
»» 外形及安装尺寸



»» SGQ4



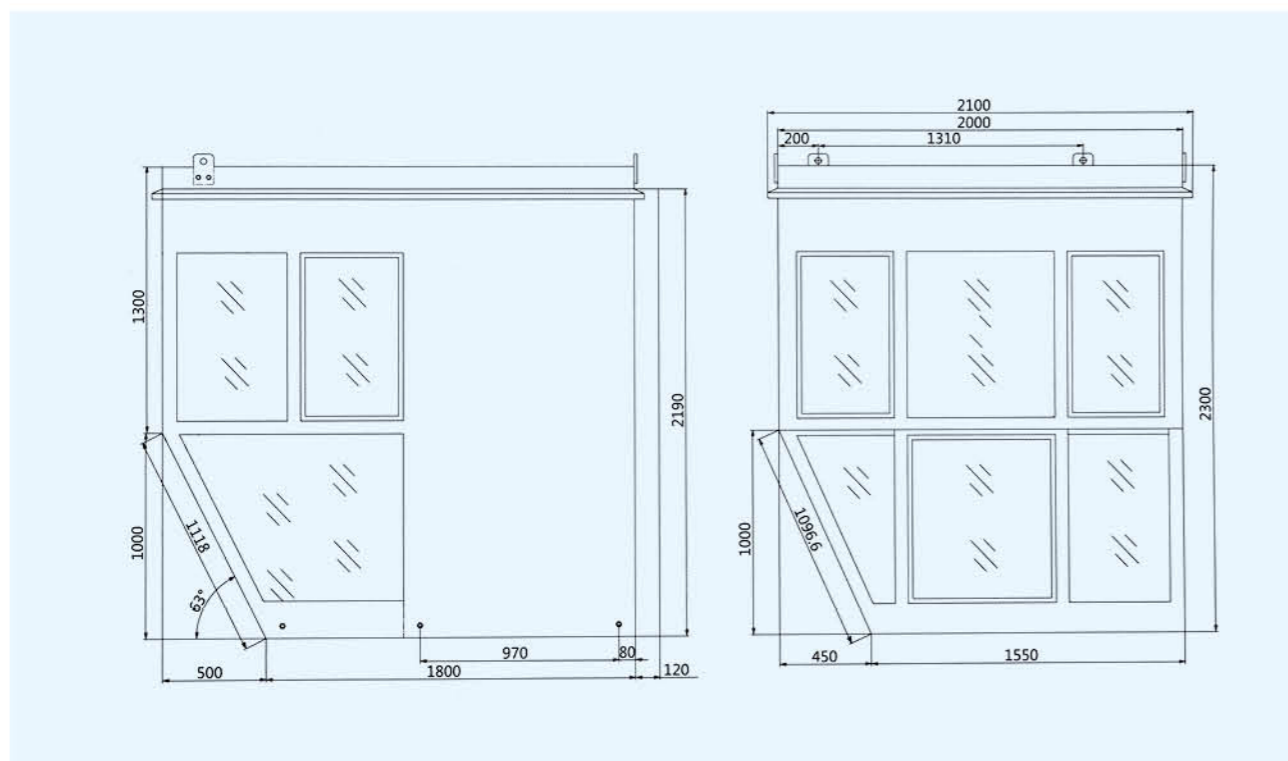
»» 外形及安装尺寸



»» SGY5



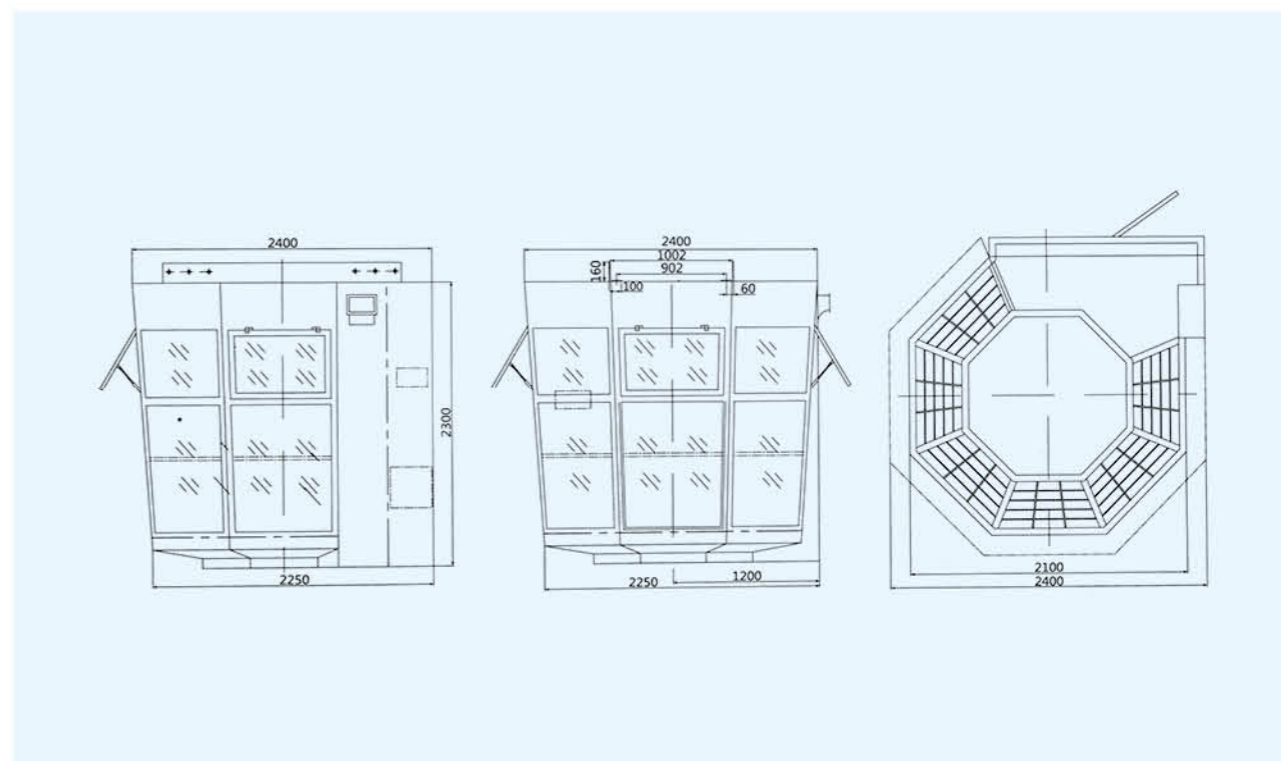
»» 外形及安装尺寸



»» SGY8



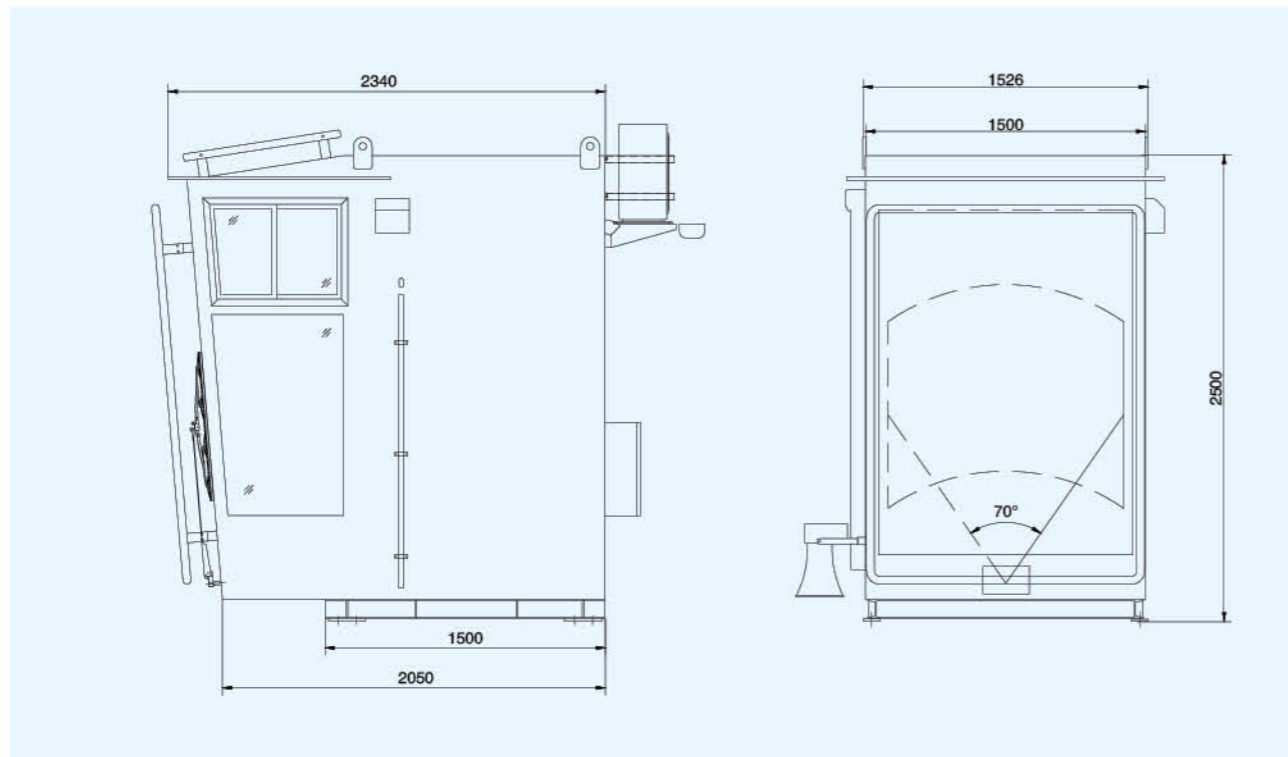
»» 外形及安装尺寸



»» SGG2



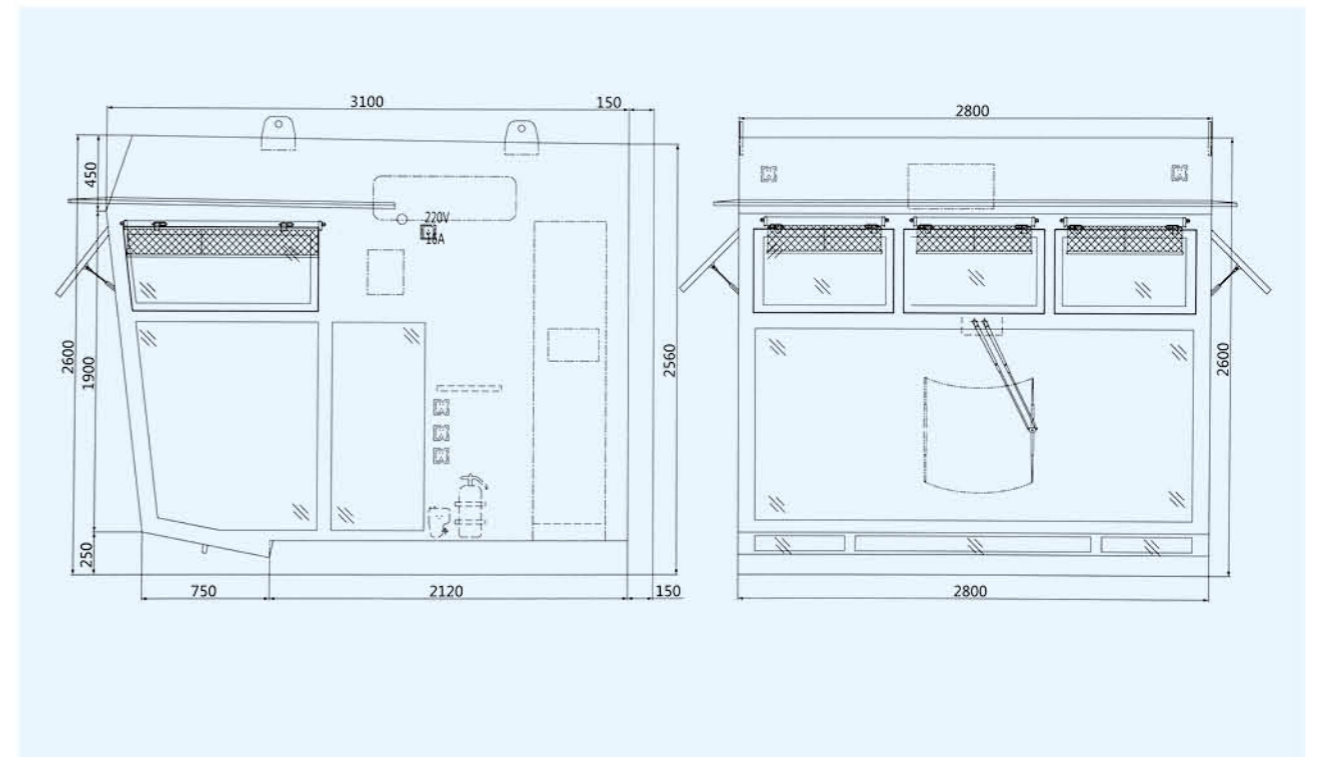
»» 外形及安装尺寸



»» SGG4



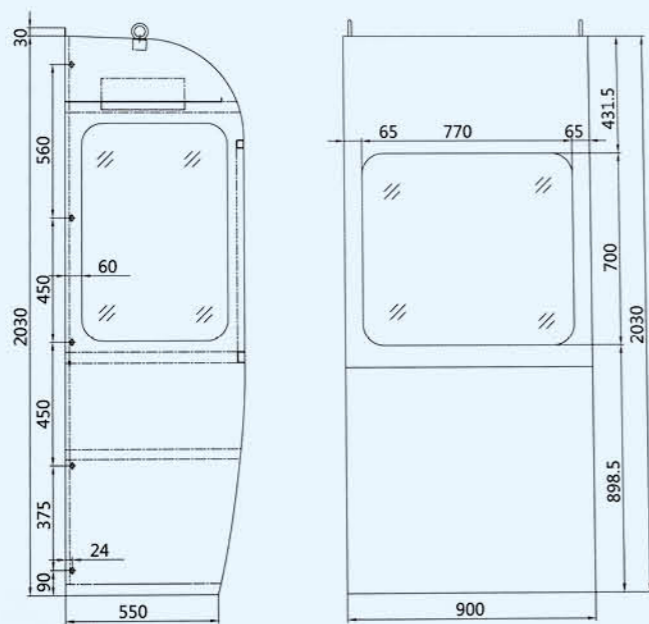
»» 外形及安装尺寸



»» SGS



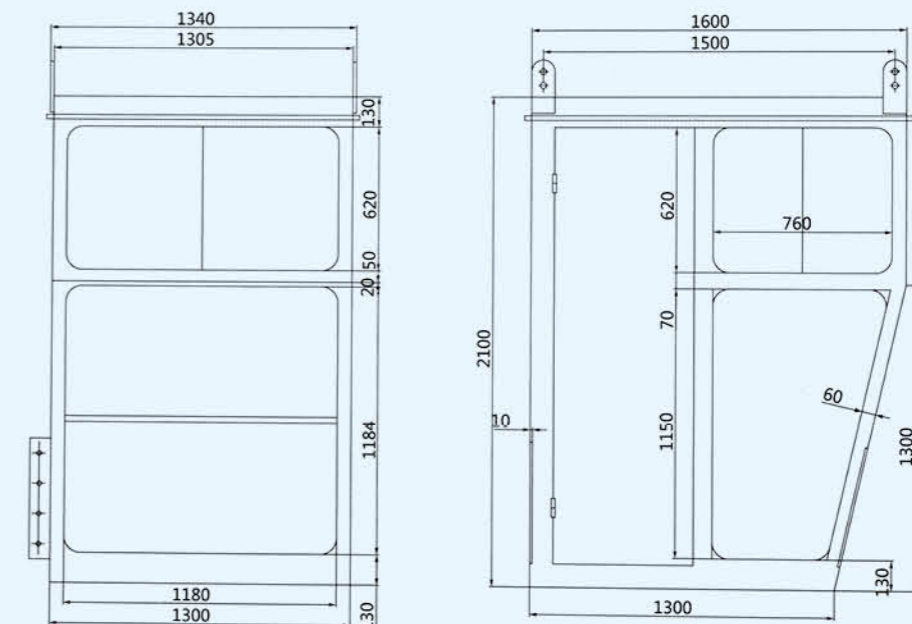
»» 外形及安装尺寸



»» SGH



»» 外形及安装尺寸



»» SGF/D



»» SGF/Y



»» SGF/L

»» SGF/G



»» 适用范围 Scope of Application

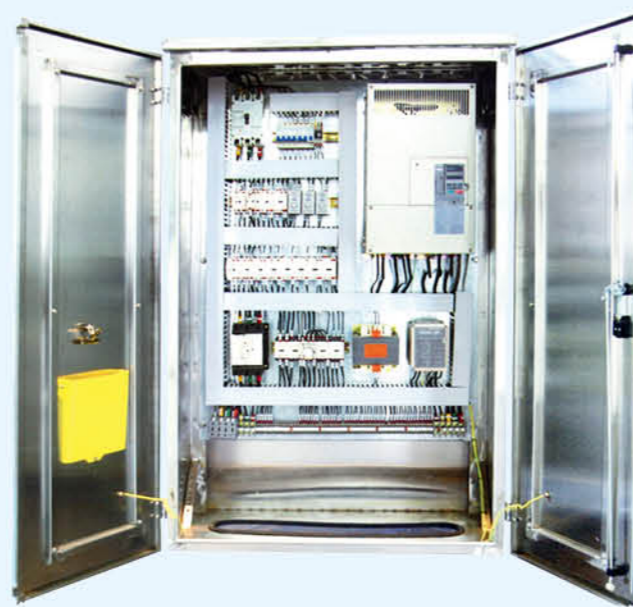
本公司生产的电控柜(屏),适用于港口码头,工矿企业,铁路建设和大型基建工程项目中使用的各种类型起重运输机械,与联动控制台配合,组成完整的控制系统,对起重运输机械各驱动机构(起升、旋转、变幅、行走)的启动、转向、调速、制动进行控制。并对设备实现供电、过载、零位、相序短路的保护,采用切换电机转子回路电阻来实现启动、调速、阻尼。同时也可根据用户要求、设计、制造、安装调试用于各种类型起重运输机械变频调速系统、PLC控制系统及其它制式控制系统。

Our electrical control cabinet (screen) is applicable to various hoisting and conveying machineries used in harbors, industrial & mining enterprises, railway construction and large-scale capital construction projects, composing a complete control system by integrating with linkage console to control the start, reserving, speed regulation and braking of each drive mechanism (for lifting, rotation, amplitude variation and movement) of hoisting and conveying machinery while performing power supply, overload, zero position and phase sequence short circuit protection for equipment and conducting start, speed regulation and damping by switching off the loop resistance of motor rotor. We can also design, manufacture, install and debug various VF speed regulation system, PLC control system and other types of control systems for hoisting and conveying machineries according to customer requirements.

»» 结构特点 Structural Features

1. 原器件板前安装,线槽内布线。
2. 原器件采用线鼻子冷压接线工艺。
3. 原器件标识采用激光刻字、清晰、持久。
4. 柜内可设计选配:加热除湿与排风降温装置。
5. 柜体采用高压静电粉末喷涂新工艺,防护等级高,安全可靠,抗腐蚀,抗老化。
6. 颜色可根据用户要求变更。(常规柜体颜色为米黄色 RAL1013)

1. Installed in front of element and component panel; wiring made in wiring duct.
2. Element and component adopts lug cold press connecting technology.
3. Element and component is marked with laser for clear and permanent identification.
4. Optional components inside cabinet: heating & dehumidification device and exhaust & cooling device.
5. Integrated with newly developed high-pressure electrostatic powder coating technology, the cabinet meets a high protection level for safe and reliable operation and is resistant to corrosion and aging.
6. Colors can be modified according to customer requirements. (Conventional cabinet color is beige RAL1013).



塔机控制柜 (变频)
Tower Crane Control Cabinet
(Frequency Converting Control)

»» 起重机成套控制系统 (变频带 PLC) Crane Electrical Control System(Frequency Converting Control & PLC)



三港奔腾 活力无限

SANGANG GALLOPING, VITALITY TOUGHNESS

接轨先进理念：学习世界领先企业的思维方式、管理模式及文化特色，不断促进思想解放和观念创新，加快三港变革发展。

World advanced ideas: learning way of thinking of the world's leading enterprise, management mode and cultural characteristics, Continuously promote thought liberation and idea innovation, speed up the San'gang change development.

二十四年伊始 我们继续以“0”为起点

三港品牌二十四年，飞跃二十四年。
在过去的二十四年里，三港已经起飞了，
在起重开启时代，我们要做的很多很多，
新的 2014 年开始，我们已经有了第二个起点，
但是目标只有一个，更好的服务于社会建设，
从而造就更佳辉煌的“三港”品牌

In this 24 years more efforts, more surprise!

San'gang brand twenty-four years, leap twenty-four years.
In the past twenty-four years, San'gang have been taken off
Open the era of lifting, we need to do a lot,
The new beginning in 2014, we've got a second starting point,
But only one goal, to better serve the society,
Thus creating a better brilliant "San'gang" brand

