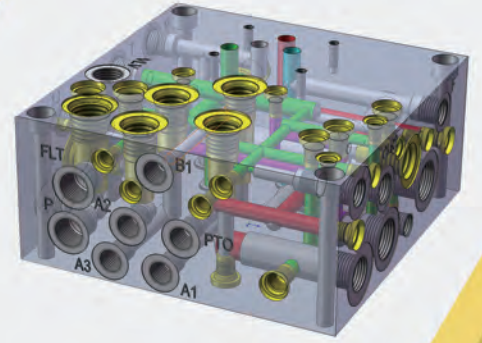




LONGLI HYDRAULIC

隆利液压



HYDRAULIC VALVE
HYDRAULIC CARTRIDGE VALVE
HYDRAULIC MANIFOLD BLOCK
HYDRAULIC SYSTEM

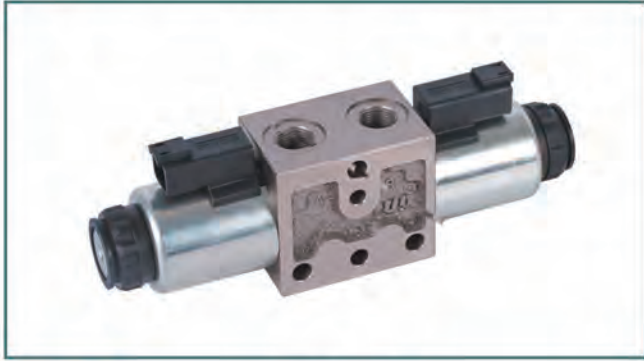
ENTERPRISE INTRODUCTION



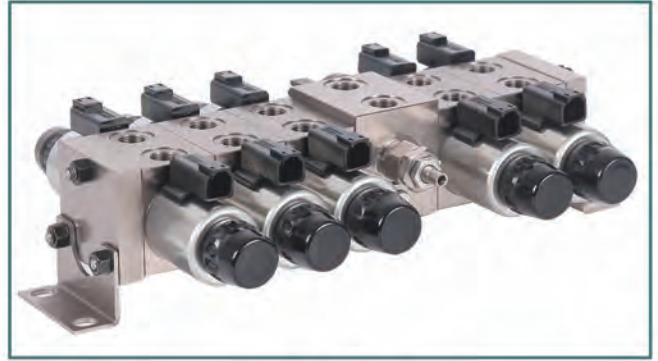
JINAN LONGI HYDRAULIC DEVICE CO.,LTD WAS ESTABLISHED IN 1989. WE FOCUS ON THE PRODUCTION OF HYDRAULIC COMPONENTS, WITH ADVANCED TECHNOLOGY, THE HIGHEST QUALITY SYSTEMS AND STANDARDIZED PROCESSES. WE HOLD MORE THAN 30 PATENTS AND WERE RATED AS "JINAN HIGH-TECH ENTERPRISE" FOR MANY CONSECUTIVE YEARS. WE ARE SERVING MORE THAN 1,200 CUSTOMERS IN MORE THAN 70 COUNTRIES AND REGIONS AROUND THE WORLD. WE WARMLY WELCOME EVERYONE TO VISIT OUR BOOTH AND NEGOTIATE. THANK YOU FOR VISITING!

CERTIFICATES

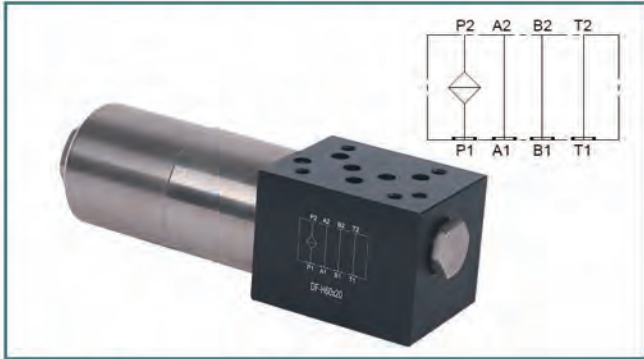




管式电磁阀
THREAD MOUNTING SOLENOID VALVE



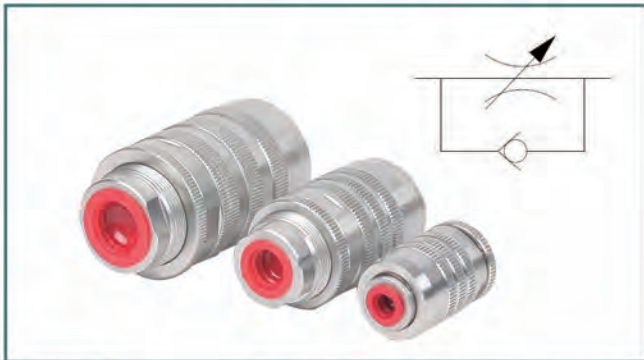
片状组合式电磁阀
SECTIONAL SOLENOID VALVE



叠加式过滤网
STACKING FILTERING DEVICE



手动泵
HYDRAULIC MANUAL PUMP



管式单向节流阀
TUBE TYPE FLOW RESTRICTING CHECK VALVE



管式单向顺序阀
TUBE TYPE CHECK SEQUENCE VALVE



节流接头
FLOW RESTRICTING FITTING



PC大臂保持阀
PC TYPE BOOM RETAINING VALV



WE型电磁换向阀
WE SOLENOID DIRECTIONAL
CONTROL VALVE



WEMM型手电一体换向阀
WEMM MANUAL & SOLENOID
DIRECTIONAL CONTROL VALVE



WEH型电液换向阀
WEH ELECTRO-HYDRAULIC
DIRECTIONAL CONTROL VALVE



DBD型直动溢流阀
DBD PRESSURE RELIEF
VALVE, DIRECT OPERATED



DB/DBW型先导溢流阀
DB/DBW PRESSURE RELIEF
VALVE, PILOT OPERATED



ZDB/Z2DB叠加溢流阀
ZDB/Z2DB RELIEF
MODULAR VALVE



MK节流阀/MG单向节流阀
MG/MK THROTTLE/
THROTTLE CHECK VALVE



DV节流阀/DRV单向节流阀
DV/DRV THROTTLE/
THROTTLE CHECK VALVE



Z2FS型叠加式双单向节流阀
Z2FS DOUBLE THROTTLE
CHECK VALVE



HED4型压力继电器
HED 4 PRESSURE SWITCH



MS2型六点压力表
MS2 PRESSURE GAUGE



ZDR6D型叠加式减压阀
ZDR6D PRESSURE
REDUCING VALVE



DSG型电磁换向阀
DSG SOLENOID DIRECTIONAL
CONTROL VALVE



DSHG型电液换向阀
DSHG ELECTRO-HYDRAULIC
CONTROL VALVE



BSG型电磁溢流阀
BSG SOLENOID CONTROLLED
RELIEF VALVE



CIT系列单向阀
CIT CHECK VALVE



压力: 25MPa
总匹配流量
一进二出: 7L-45L
Pressure: 25Mpa
Complete matching flow
1 in to 2 out: 7L~45L

FD10-41型同步阀
FD10-41 DIVIDING BLOCK



压力: 25MPa
总匹配流量
一进四出: 15L-45L
Pressure: 25Mpa
Complete matching flow
1 in to 4 out: 15L~45L

3-FD10-41型同步阀
3-FD10-41 DIVIDING BLOCK



压力: 35MPa Pressure: 35Mpa
匹配流量 (进口流量) Matching flow (inlet flow)
一进两出: 6L-72L 1 in to 2 out: 6L~72L
一进四出: 12L-145L 1 in to 4 out: 12L~145L
一进六出: 18L-215L 1 in to 6 out: 18L~215L

同步马达
DIVIDING GEAR MOTOR



压力: 25MPa
额定流量: 60L/120L/240L
Pressure: 25Mpa
Rated flow: 60L/120L/240L

管式单平衡阀
TUBE TYPE SINGLE BALANCE VALVE



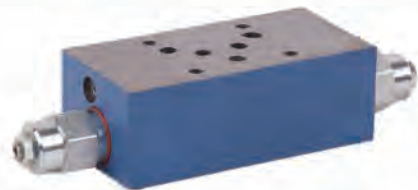
压力: 25MPa
额定流量: 60L/120L/240L
Pressure: 25Mpa
Rated flow: 60L/120L/240L

管式双平衡阀
TUBE TYPE DOUBLE BALANCE VALVE



压力: 35MPa 额定流量: 60L/120L/240L
Pressure: 25Mpa Rated flow: 60L/120L/240L

叠加式单平衡阀
STACKING SINGLE BALANCE VALVE



压力: 35MPa 额定流量: 60L/120L/240L
Pressure: 25Mpa Rated flow: 60L/120L/240L

叠加式双平衡阀
STACKING DOUBLE BALANCE VALVE



材质: 铝合金/球铁
 口径: 6口径/10口径
 MATERIAL: ALUMINUM ALLOY
 DUCTILE IRON
 SIZE: NG6/NG10

单联可调压阀块
 SINGLE MANIFOLD WITH ADJUSTABLE PRESSURE



压力: 25MPa
 额定流量: 20L
 材质: 铝合金
 PRESSURE: 25MPA
 RATED FLOW: 20L
 MATERIAL: ALUMINUM ALLOY

提升阀组20L
 LIFTING VALVE SET 20L



压力: 25MPa
 额定流量: 40L
 材质: 铝合金
 PRESSURE: 25MPA
 RATED FLOW: 40L
 MATERIAL: ALUMINUM ALLOY

提升阀组40L
 LIFTING VALVE SET 40L



压力: 25MPa
 额定流量: 60L
 材质: 铝合金
 PRESSURE: 25MPA
 RATED FLOW: 60L
 MATERIAL: ALUMINUM ALLOY

提升阀组60L
 LIFTING VALVE SET 60L



压力: 25MPa
 额定流量: 113L
 材质: 铝合金
 PRESSURE: 25MPA
 RATED FLOW: 113L
 MATERIAL: ALUMINUM ALLOY

提升阀组113L
 LIFTING VALVE SET 113L



压力补偿流量调节阀
 Hammer Valve



动力单元
 POWER PACK



**Load Holding
Valves**
Counterbalance
Cartridge Valves

**Solenoid Operated
Cartridge Valves**

2-Way 2-Position
3-Way 2-Position
4-Way 2-Position
4-Way 3-Position



Directional Valves

Check Valves
Pilot Check Valves
Manual Valves
Shuttle Valves
Dual Pilot-operated Check
Valves

**Pressure Control
Valves**

Relief Valves
Sequence Valves
Pressure Reducing
Valves

Logic Element

Logic Valves
Hydraulic Control
Logic Valves

Flow Control Valves

Pressure
Compensated Valves
Needle Valves

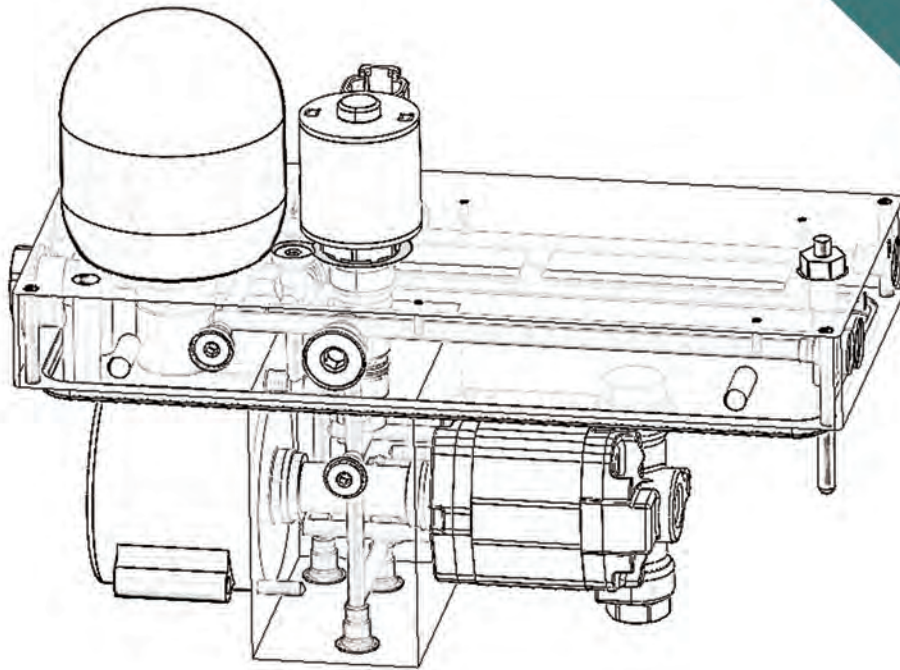


CARTRIDGE
PROPORTIONAL
RELIEF VALVE

CARTRIDGE
SOLENOID
PROPORTIONAL
VALVE



CUSTOMIZE DIVERSE
PROPORTIONAL
VALVE ACCORDING
TO REQUIREMENT



源头工厂 Source Factory

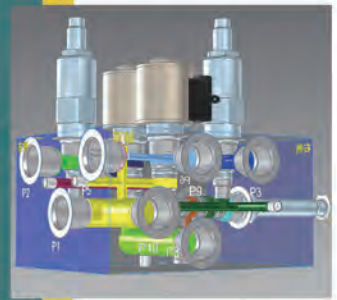
行业深耕多年，通过ISO9001
质量管理体系认证。



Years of industry dedication, certified with
ISO9001 Quality Management System.

设计严谨 Rigorous design

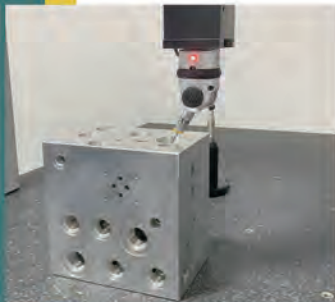
产品通过专业软件进行系
统验证与仿真。



Systematic verification and simulation using
professional software.

质检严格 Quality Control Utilizing

运用三坐标等多种专业设
备保证质检数据准确。



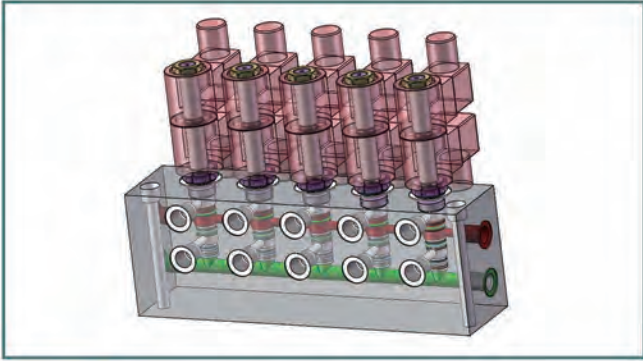
Utilizing Coordinate Measuring Machines and a
variety of other specialized equipment to
guarantee accurate quality inspection data.

注重细节 Attention to Detail

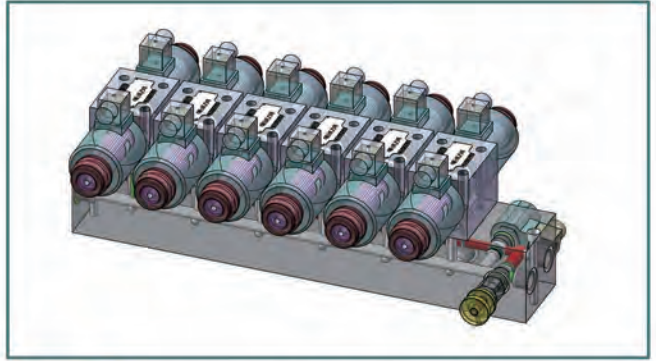
通过人工粗清与热爆技术，
做到产品出厂光洁无毛刺。



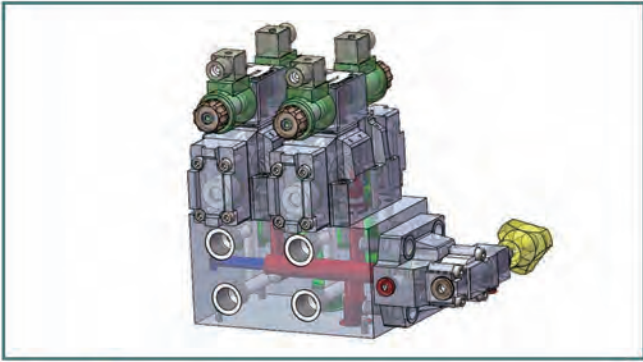
Employing manual rough cleaning and Thermal
Explosion Deburring Technology techniques to
ensure products are smooth and burr-free upon
leaving the factory.



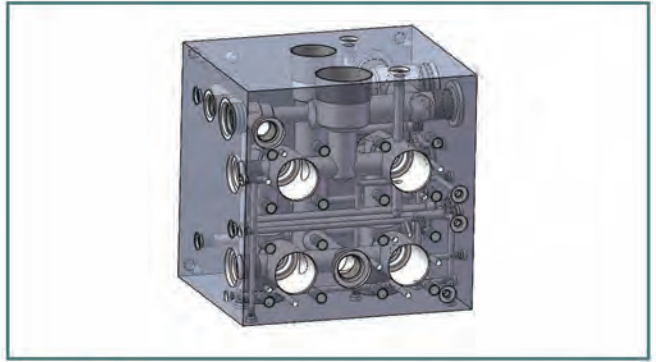
插装阀组 CARTRIDGE VALVE SET



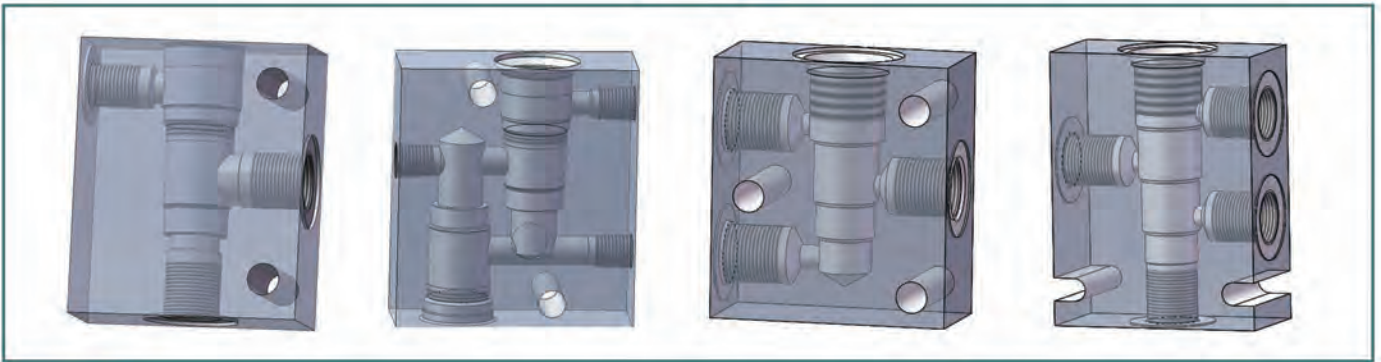
电磁阀组 SOLENOID VALVE SET



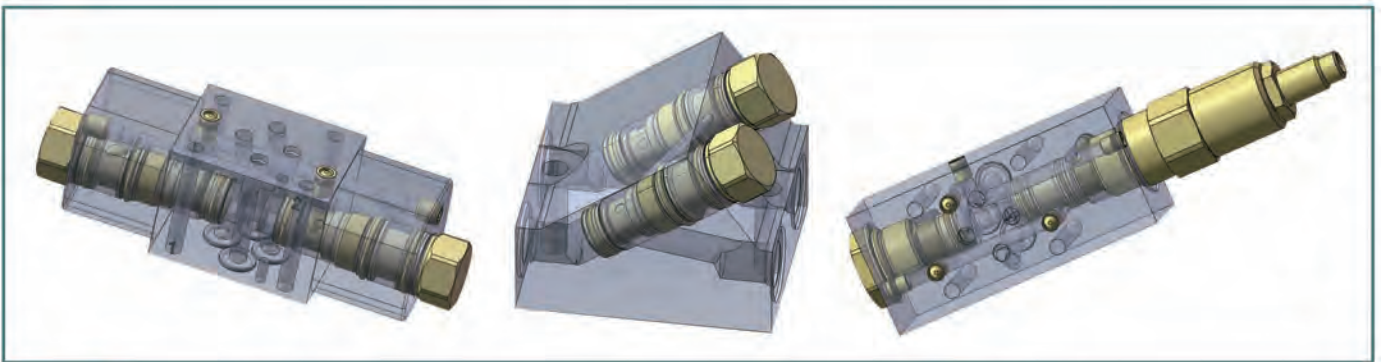
液动阀组 HYDRAULIC CONTROL VALVE SET



逻辑阀组 LOGIC VALVE SET



标准插孔阀块 STANDARD CAVITY MANIFOLD



标准插孔阀块 STANDARD CAVITY MANIFOLD